



US00D919913S

(12) **United States Design Patent**
Grebing

(10) **Patent No.:** **US D919,913 S**

(45) **Date of Patent:** **** May 18, 2021**

(54) **CYCLONE SEPARATOR COMPONENT FOR VACUUM CLEANER**

(71) Applicant: **Festool GmbH**, Wendlingen (DE)

(72) Inventor: **Gerhard Grebing**, Nurtlingen (DE)

(73) Assignee: **FESTOOL GMBH**, Wendlingen (DE)

(**) Term: **15 Years**

(21) Appl. No.: **29/670,314**

(22) Filed: **Nov. 15, 2018**

(30) **Foreign Application Priority Data**

May 16, 2018 (WO) 7513601

(51) **LOC (13) Cl.** **15-05**

(52) **U.S. Cl.**
USPC **D32/31; D32/21**

(58) **Field of Classification Search**
USPC D32/15, 17, 18, 19, 21, 25, 31, 32, 33
CPC A47L 5/00; A47L 9/10; A47L 9/16; A47L 9/1691; A47L 7/0095; A47L 5/36; A47L 7/00; A47L 7/04; A47L 9/00; A47L 9/20; A47L 9/28; A47L 11/30; A47L 9/1608; B04C 5/185; B25H 3/02; B25H 3/023; B65D 21/02

See application file for complete search history.

(56) **References Cited**

U.S. PATENT DOCUMENTS

D318,155 S * 7/1991 Goodrich D32/24
6,176,559 B1 * 1/2001 Tiramani B25H 3/023
280/47.19
D437,484 S * 2/2001 Tiramani D3/276
6,347,847 B1 * 2/2002 Tiramani B25H 3/00
190/18 A
D493,034 S * 7/2004 Bar-Erez D3/281

D505,011 S * 5/2005 Einav D3/274
D558,410 S * 12/2007 Hill D32/21
D627,967 S * 11/2010 Kuhls D3/273
D627,968 S * 11/2010 Brunner D3/281
D647,300 S * 10/2011 Shitrit D3/281
D655,874 S * 3/2012 Dammkoehler D32/24
D668,867 S * 10/2012 Yamamot D3/281
8,677,661 B2 * 3/2014 Michels B25H 3/02
40/312
D701,697 S * 4/2014 Sabbag D3/281
8,689,396 B2 * 4/2014 Wolfe A47L 5/362
15/323
D715,505 S * 10/2014 Dammkoehler D32/21

(Continued)

OTHER PUBLICATIONS

Pre-separator CT-VA 20 Festool (on-line), dated Aug. 30, 2018. Retrieved from Internet Aug. 25, 2020, URL: <https://www.youtube.com/watch?v=jlOAzAjkkO8> (1 page) (Year: 2018).*

Primary Examiner — Kimberly Barnes

(74) *Attorney, Agent, or Firm* — Hoffmann & Baron, LLP

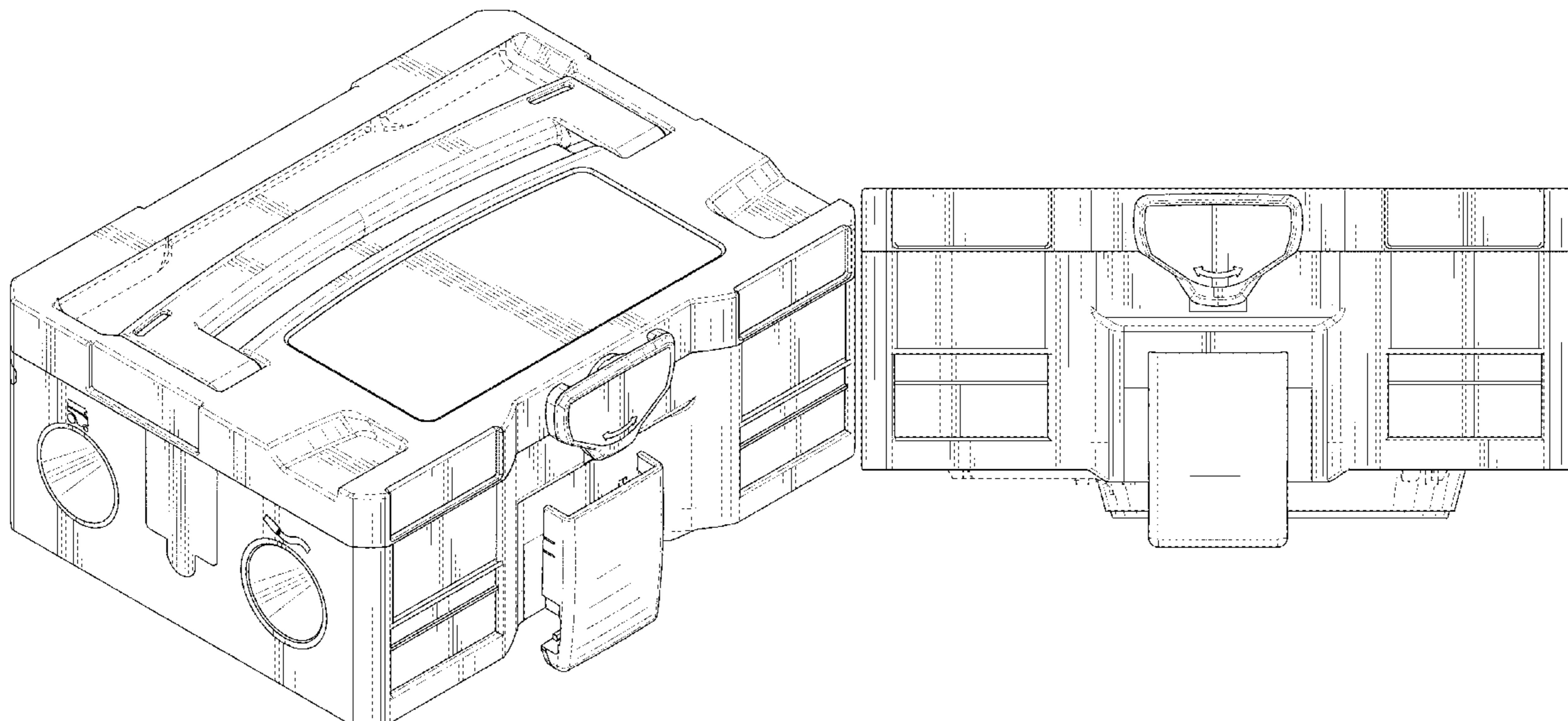
(57) **CLAIM**

The ornamental design for a cyclone separator component for vacuum cleaner, as shown and described.

DESCRIPTION

FIG. 1 is a top perspective view of a cyclone separator component for vacuum cleaner showing my new design; FIG. 2 is a front view thereof; FIG. 3 is a rear view thereof; FIG. 4 is a left side view thereof; FIG. 5 is a right side view thereof; FIG. 6 is a top plan view thereof; and, FIG. 7 is a bottom plan view thereof. The broken lines are included for illustrating portions of the cyclone separator component for vacuum cleaner that form no part of the claimed design.

1 Claim, 7 Drawing Sheets



(56)

References Cited

U.S. PATENT DOCUMENTS

8,875,888 B2 * 11/2014 Koenig B25H 3/02
206/508
D725,329 S * 3/2015 Aglassinger D32/21
8,973,196 B2 * 3/2015 Tomasiak A47L 9/009
15/3
D746,523 S * 12/2015 Jin D32/21
10,286,542 B2 * 5/2019 Wolle B25H 3/06
10,293,476 B2 * 5/2019 Fleischmann B62B 1/14
10,405,626 B2 * 9/2019 Gonitjaner B25H 3/02
10,820,766 B2 * 11/2020 Grebing A47L 9/1608
2019/0207339 A1 * 7/2019 Suzuki H01R 13/428
2019/0380549 A1 * 12/2019 Liu B01D 46/2411
2020/0023383 A1 * 1/2020 Grebing B04C 5/185
2020/0069126 A1 * 3/2020 Mantes A47L 9/127
2020/0093341 A1 * 3/2020 Bian A47L 9/00
2020/0196814 A1 * 6/2020 Grebing A47L 9/1608

* cited by examiner

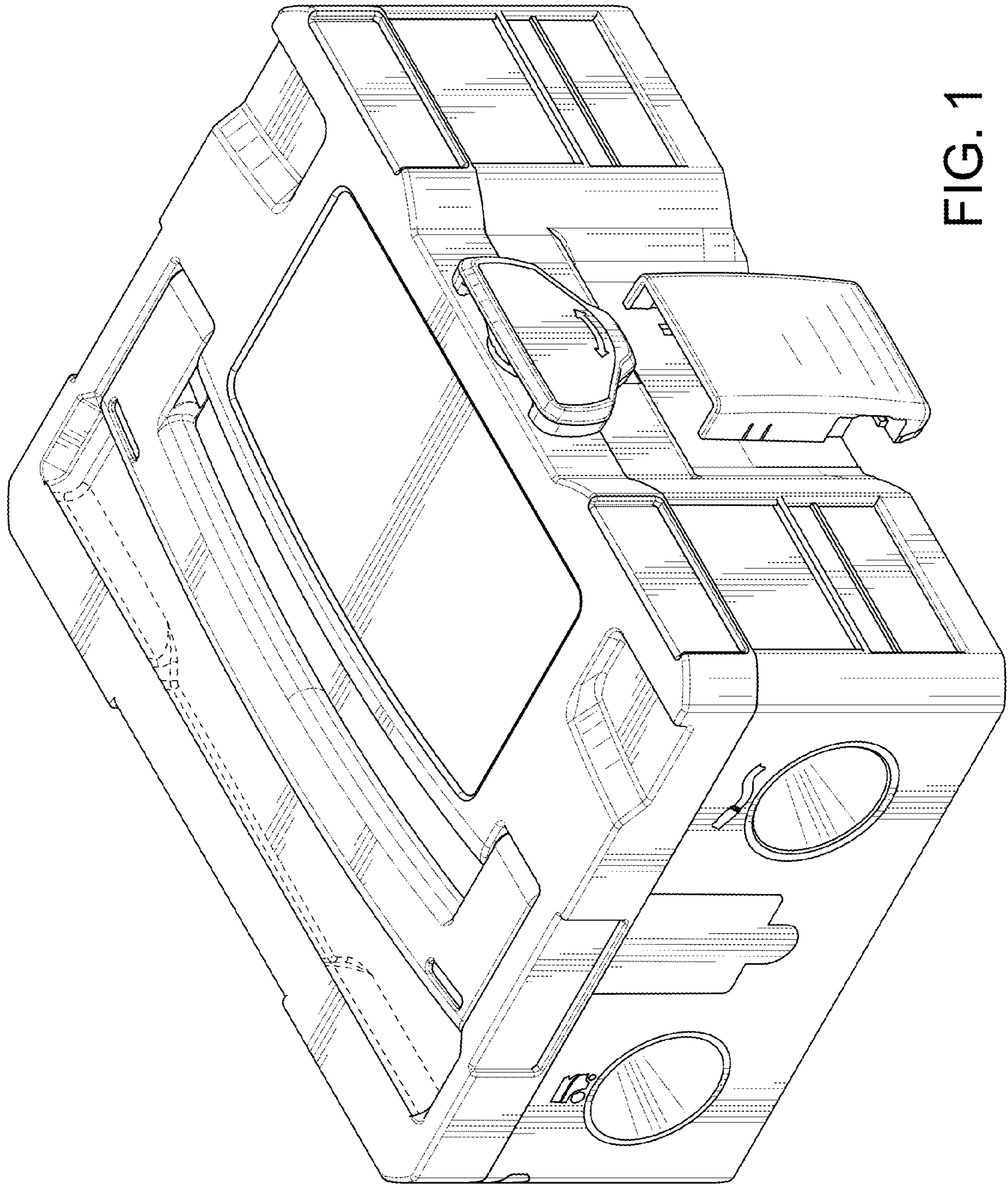


FIG. 1

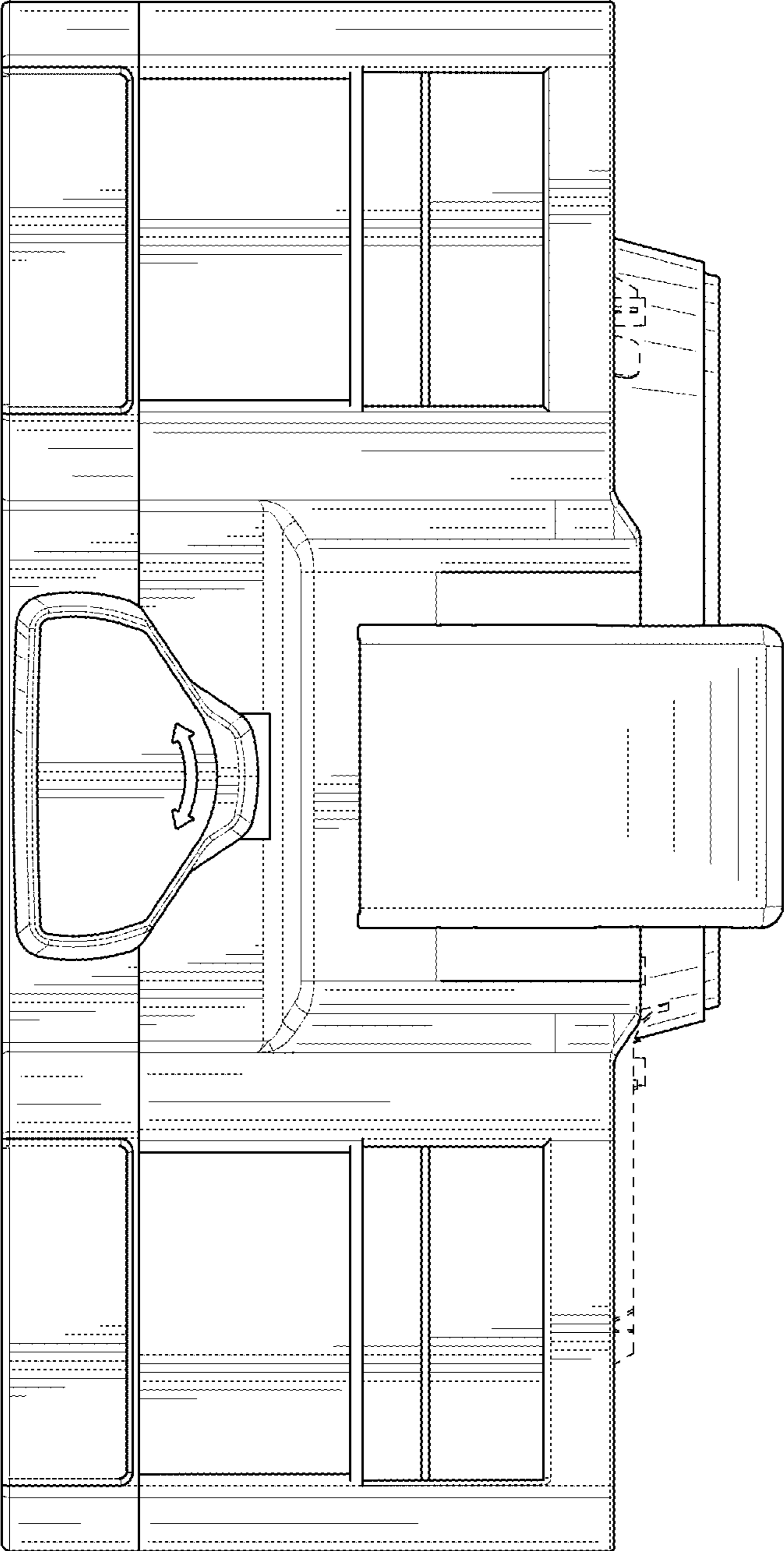


FIG. 2

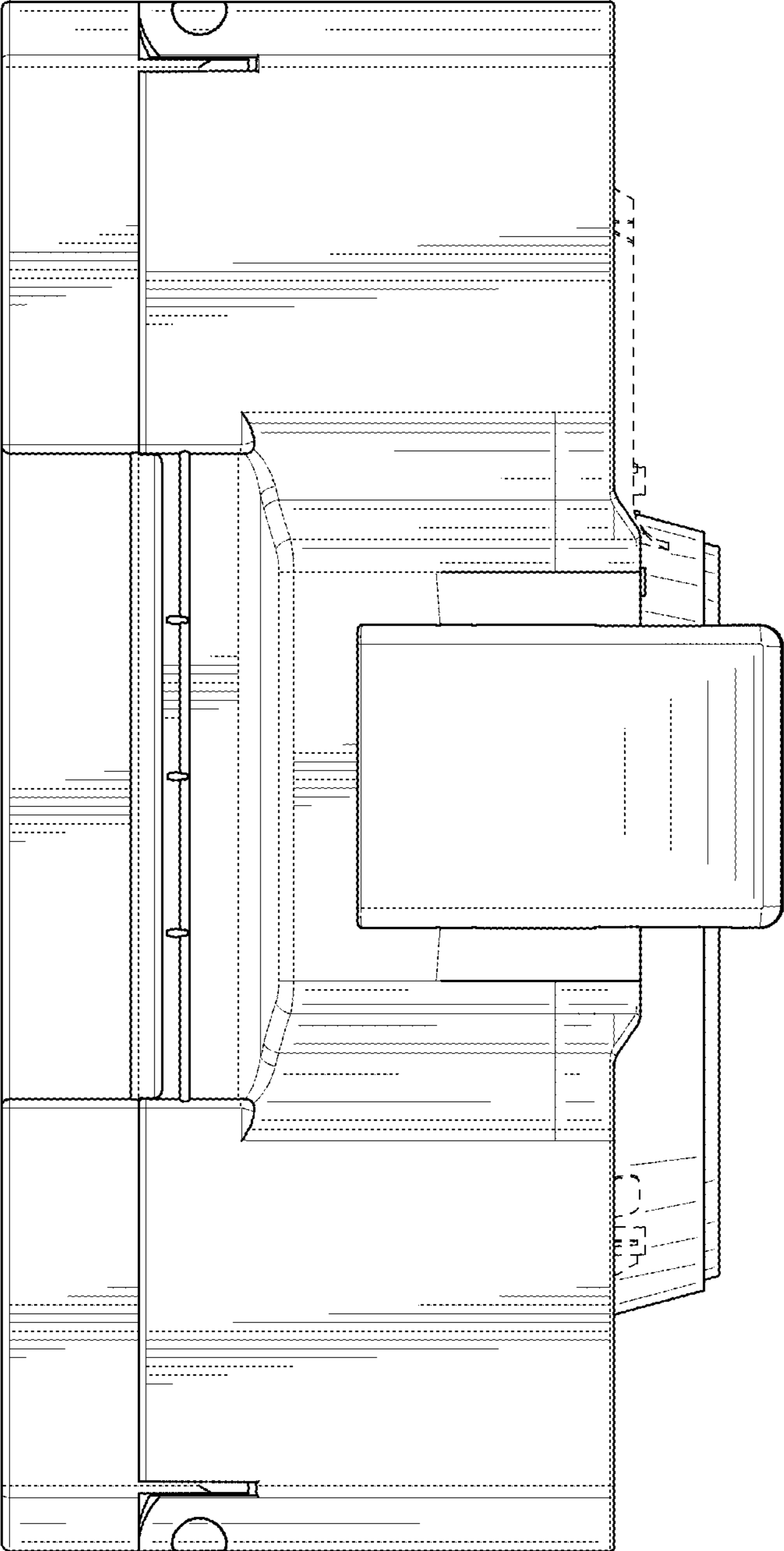


FIG. 3

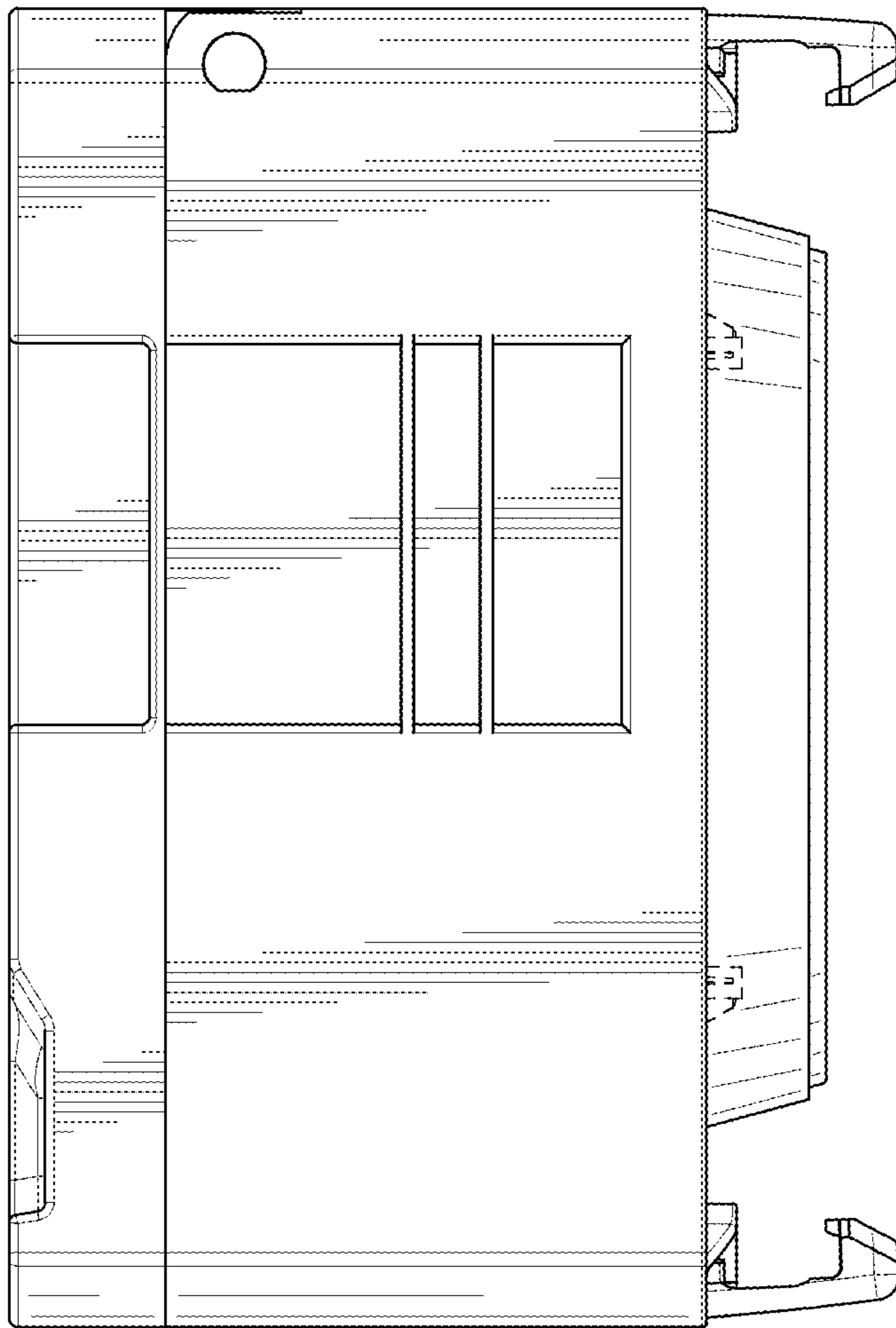


FIG. 4

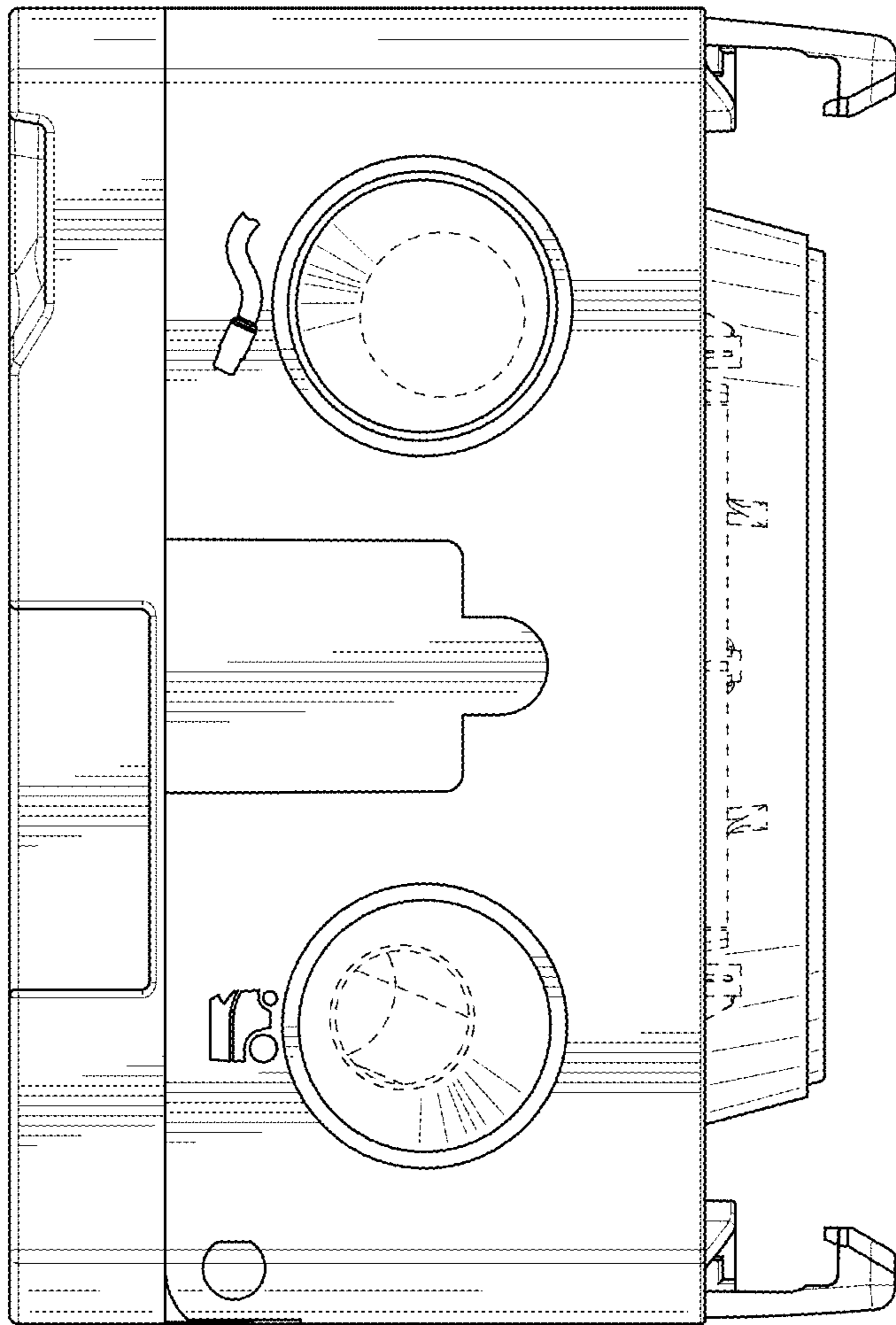


FIG. 5

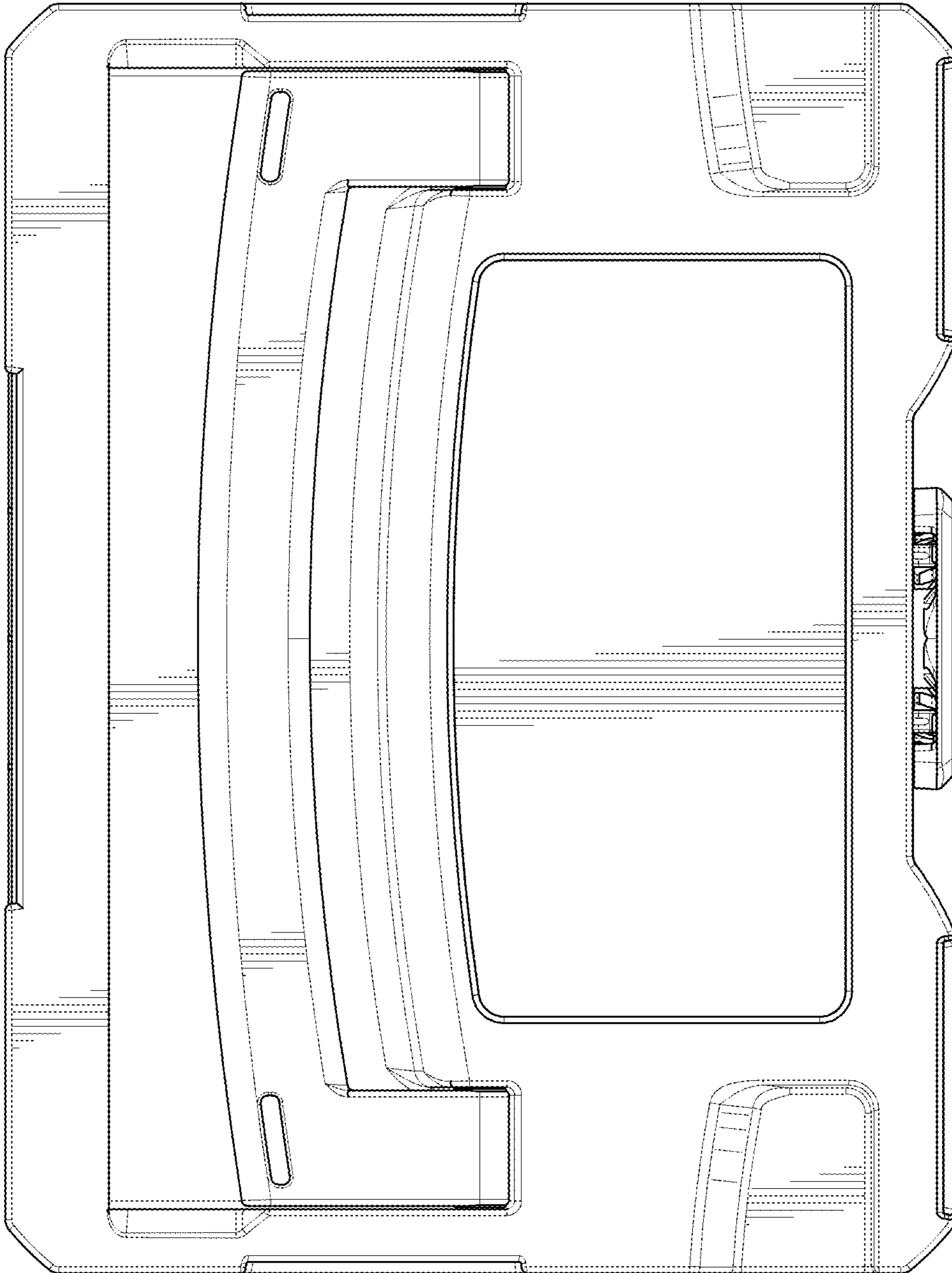


FIG. 6

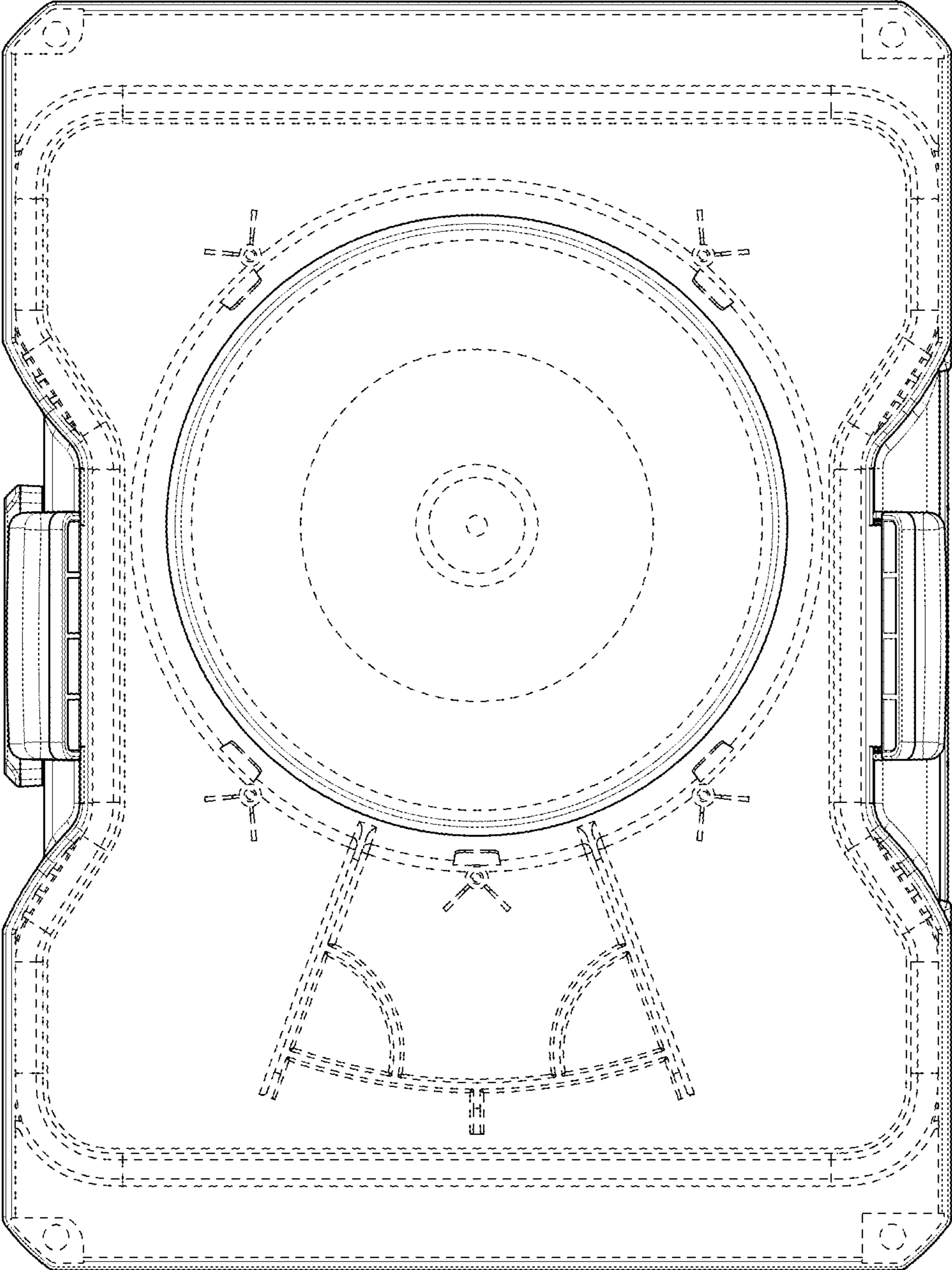


FIG. 7