



US00D919910S

(12) **United States Design Patent** (10) **Patent No.:** **US D919,910 S**
Li (45) **Date of Patent:** **** May 18, 2021**

(54) **CLEANING ROBOT**

FOREIGN PATENT DOCUMENTS

(71) Applicants: **ANKOBOT (SHENZHEN) SMART TECHNOLOGIES CO., LTD.**, Shenzhen (CN); **ANKOBOT (SHANGHAI) SMART TECHNOLOGIES CO., LTD.**, Shanghai (CN)

CN 304073685 * 3/2017
CN 304184718 * 6/2017

(Continued)

(72) Inventor: **Lei Li**, Shanghai (CN)

OTHER PUBLICATIONS

Deebot OZMO 610 Mop, announced in YouTube on Sep. 11, 2018 [online], [site visited Nov. 30, 2020], Available from the internet URL: <https://www.youtube.com/watch?v=bqwq7rZTjsc> (Year: 2018).*

(Continued)

(73) Assignees: **ANKOBOT (SHENZHEN) SMART TECHNOLOGIES CO., LTD.**, Shenzhen (CN); **ANKOBOT (SHANGHAI) SMART TECHNOLOGIES CO., LTD.**, Shanghai (CN)

Primary Examiner — Dana K Weiland
Assistant Examiner — Jennylou M Binas
(74) *Attorney, Agent, or Firm* — IPro, PLLC

(**) Term: **15 Years**

(57) **CLAIM**

The ornamental design for a cleaning robot, as shown and described.

(21) Appl. No.: **29/685,044**

DESCRIPTION

(22) Filed: **Mar. 26, 2019**

(30) **Foreign Application Priority Data**

Jan. 7, 2019 (CN) 201930007424.4

(51) **LOC (13) Cl.** **15-05**

(52) **U.S. Cl.**
USPC **D32/21**

(58) **Field of Classification Search**
USPC D32/21, 31; D21/526, 578; D8/70, 310, D8/330; D10/37, 38, 50, 106.2, 106.5;
(Continued)

FIG. 1 is a perspective view of a first embodiment of a cleaning robot showing the new design;
FIG. 2 is a front side view thereof;
FIG. 3 is a rear side view thereof;
FIG. 4 is a left side view thereof;
FIG. 5 is a right side view thereof;
FIG. 6 is a top view thereof;
FIG. 7 is a bottom view thereof;
FIG. 8 is a perspective view of a second embodiment of the cleaning robot;
FIG. 9 is a front side view thereof;
FIG. 10 is a rear side view thereof;
FIG. 11 is a left side view thereof;
FIG. 12 is a right side view thereof;
FIG. 13 is a top view thereof; and,
FIG. 14 is a bottom view thereof.

In the drawings, the broken lines depict portions of the cleaning robot that form no part of the claimed design.

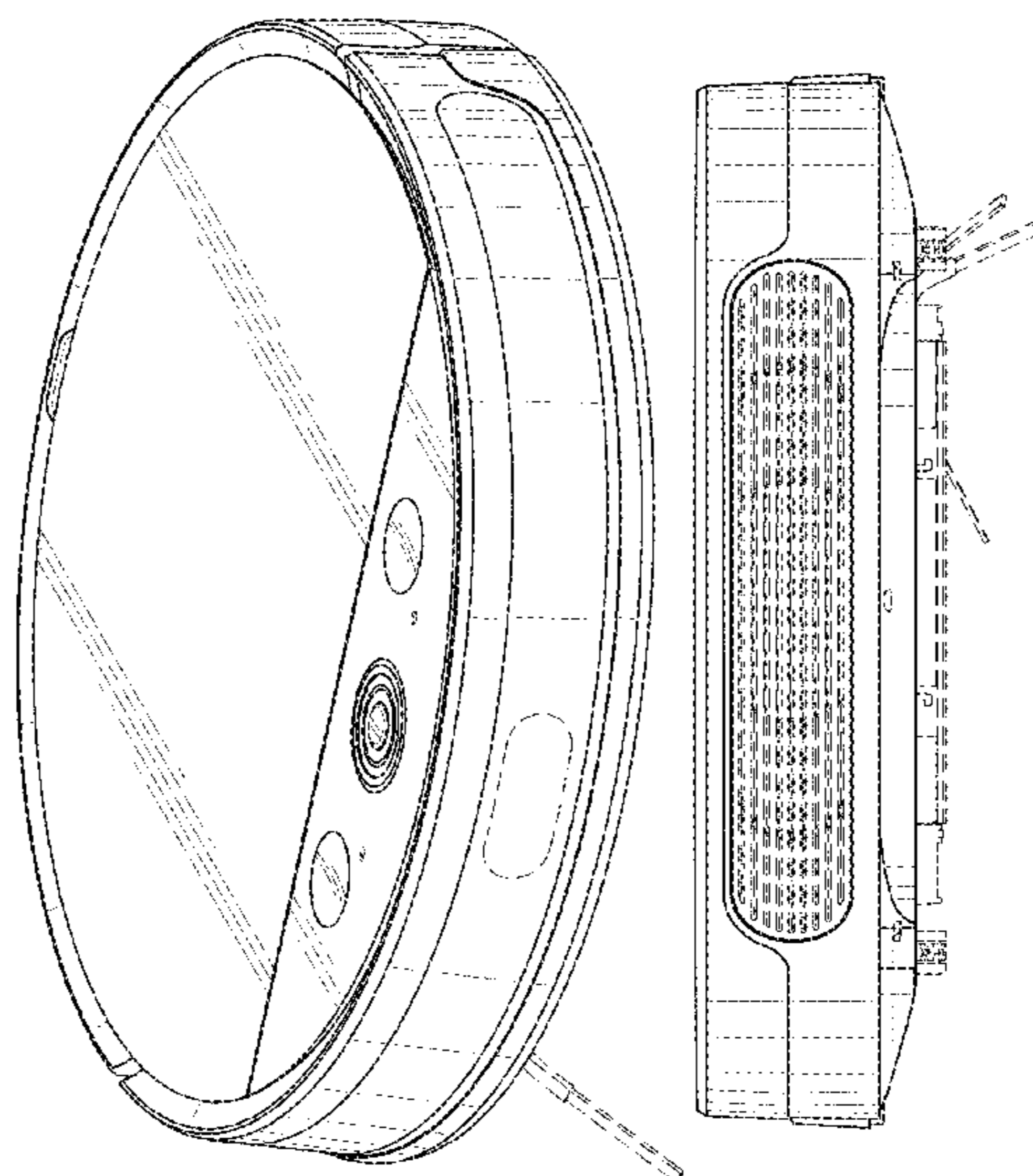
(56) **References Cited**

U.S. PATENT DOCUMENTS

D311,703 S * 10/1990 Fenne D10/106.5
D548,902 S * 8/2007 Chun D32/21

(Continued)

1 Claim, 14 Drawing Sheets



(58) **Field of Classification Search**
 USPC D13/108, 209; D14/218, 248, 341, 344;
 D23/254
 See application file for complete search history.

(56) **References Cited**
 U.S. PATENT DOCUMENTS

D551,937	S	*	10/2007	Krumpe	D8/310
D568,304	S	*	5/2008	Park	D14/240
D593,265	S	*	5/2009	Carr	D32/21
D621,547	S	*	8/2010	Wirgler	D28/82
D661,439	S	*	6/2012	Lee	D32/21
D661,440	S	*	6/2012	Lee	D32/21
D665,547	S	*	8/2012	Nam	D32/21
D690,478	S	*	9/2013	Li	D32/21
D694,182	S	*	11/2013	Lee	D13/108
D701,831	S	*	4/2014	Park	D13/108
D711,250	S	*	8/2014	Henriksson	D9/669
D717,547	S	*	11/2014	Adriaenssen	D4/101
D726,377	S	*	4/2015	Koo	D28/82
D726,672	S	*	4/2015	Olodort	D14/138 G
D790,372	S	*	6/2017	Daoura	D10/70
D819,337	S	*	6/2018	Yuan	D4/101
D835,070	S	*	12/2018	DePasquale	D14/216
D835,869	S	*	12/2018	Li	D32/21
D840,617	S	*	2/2019	Dou	D32/21
D849,678	S	*	5/2019	Kojima	D13/102
D857,996	S	*	8/2019	Chen	D28/82
D860,816	S	*	9/2019	Rathbun	D9/780
D861,989	S	*	10/2019	Jeong	D28/78
D867,567	S	*	11/2019	Han	D23/364
D867,701	S	*	11/2019	Mi	D32/31
D869,109	S	*	12/2019	Yu	D32/21
D871,693	S	*	12/2019	Ebrahimi Afrouzi	D32/21
D872,953	S	*	1/2020	Ebrahimi Afrouzi	D32/21
D876,035	S	*	2/2020	Song	D32/21
D884,298	S	*	5/2020	Li	D32/21
D885,698	S	*	5/2020	Li	D32/21
D885,699	S	*	5/2020	Li	D32/21
D893,819	S	*	8/2020	Li	D32/21
D898,294	S	*	10/2020	Kikuchi	D28/82
D903,961	S	*	12/2020	Li	D32/21
2019/0290091	A1	*	9/2019	Liang	A47L 11/24
2020/0046192	A1	*	2/2020	Zhang	A47L 11/28

FOREIGN PATENT DOCUMENTS

CN	304414932	*	12/2017
CN	304483102	*	1/2018
CN	304530614	*	3/2018
CN	304566598	*	4/2018
CN	304848810	*	10/2018
CN	304968270	*	12/2018
CN	304998493	*	1/2019

CN	305003951	*	1/2019
CN	305553048	*	1/2020
IN	317525-001-0001	*	6/2020
JP	D1668026	*	9/2020
JP	D1668715	*	9/2020
RU	110054	*	7/2018
WO	D208354-001	*	6/2020
WO	D209160-001	*	7/2020
WO	D210276-001	*	9/2020

OTHER PUBLICATIONS

DESTRB Sweeping Robot, available in Amazon.com, announced 2020 [online], [site visited Dec. 15, 2020], Available from the internet URL: Amazon.com—DESTRB Sweeping Robot, Fully Automatic Intelligent Cleaning Robot Home Wireless Vacuum Cleaner, Suitable for Carpets—(Year: 2020).*

Ikohs Netbot S12, available in Amazon.co.uk, date first available Jan. 30, 2020 [online], [site visited Nov. 30, 2020], Available from the internet URL: <https://www.amazon.co.uk/IKOHs-NETBOT-S12-Self-Charging-Anti-Drop/dp/B084BZY2FV> (Year: 2020).*

Mahli 3-in-1 Vacuum, Cleaner, available in belk.com, customer review oldest date Dec. 1, 2020 [online], [site visited 12/115/2020], Available from the internet URL: <https://www.belk.com/p/mahli-3-in-1-vacuum-cleaner/8100519MBOT3011BK.html?rrec=true> (Year: 2020).*

Mi Robot Vacuum, announced in YouTube on Jan. 31, 2018 [online], [site visited Oct. 19, 2020], Available from the internet URL: <https://www.youtube.com/watch?v=HlqzWMq849c> (Year: 2018).*

Roborock S5, announced in YouTube on Feb. 10, 2018 [online], [site visited Nov. 30, 2020], Available from the internet URL: <https://www.youtube.com/watch?v=diEdUnj61NQ> (Year: 2018).*

ONSON Robot Vacuum, Available in ebay.com, announced Nov. 30, 2020 [online], [site visited Dec. 15, 2020], Available from the internet URL: Robot Vacuum Onson J30, 2700Pa Lidar Navigation Robotic Vacuum, No-Go Zones, Voi | eBay (Year: 2020).*

VEAVON Robot Vacuum, available in Amazon.com, date first available Aug. 7, 2020 [online], [site visited Nov. 30, 2020], Available from the internet URL: https://www.amazon.com/dp/B08FDKJK1X/ref=cm_sw_r_em_apa_fabt1_0JCVFbNZGEEQW?_encoding=UTF8&psc=1 (Year: 2020).*

Muzili Robot Vacuum Cleaner, available in Amazon.com, date first available Mar. 13, 2020 [online], [site visited Nov. 30, 2020], Available from the internet URL: <https://www.amazon.co.uk/Muzili-Upgraded-Powerful-Super-Thin-Self-Charging/dp/B085W2KM2C> (Year: 2020).*

Noisz by ILIFE S5 Robot Vacuum Cleaner, available in techhive.com, announced Year Sep. 16, 2019 [online], [site visited 15/15/2020], Internet URL: Noisz by ILIFE S5 Robot Vacuum Cleaner Review (smartsmartersmartest.com) (Year: 2020).*

* cited by examiner

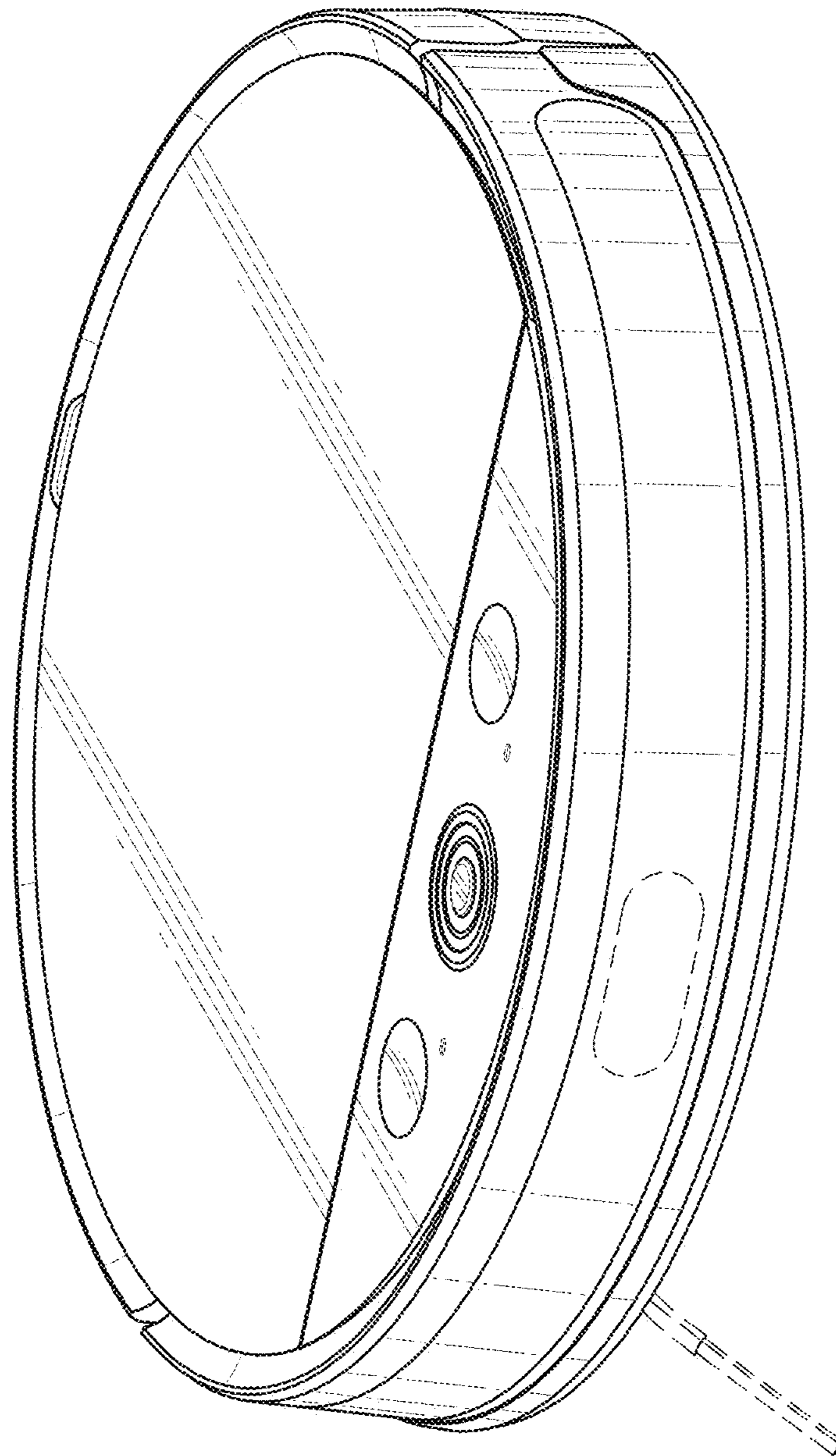


FIG. 1

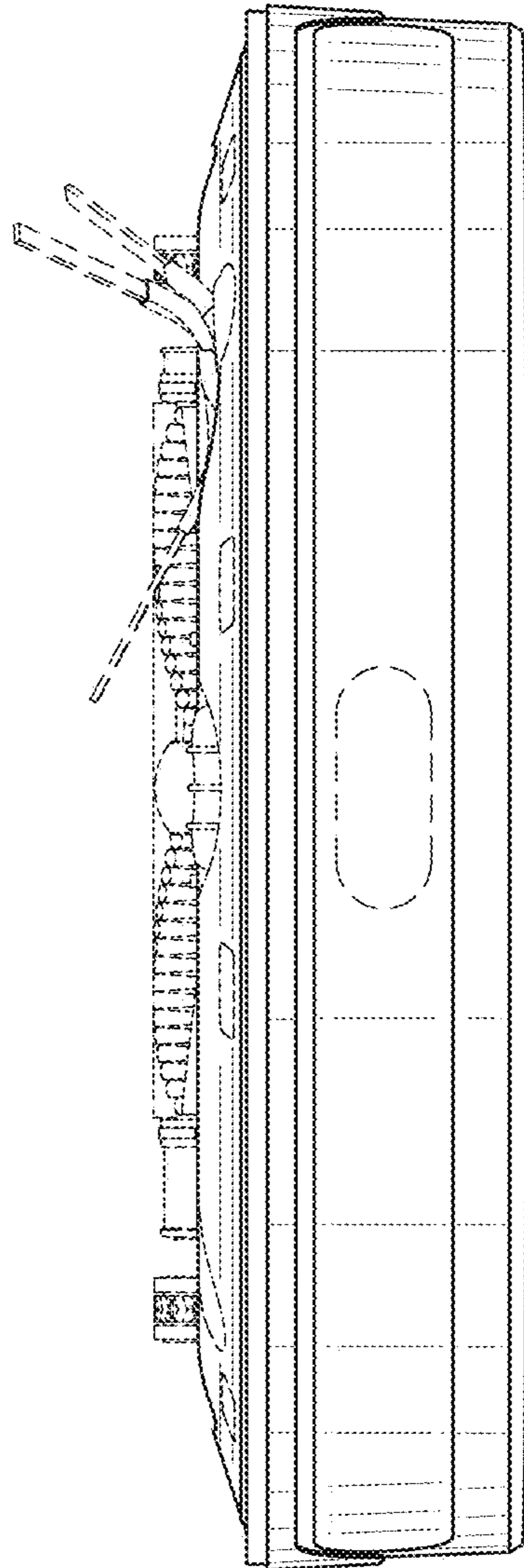


FIG. 2

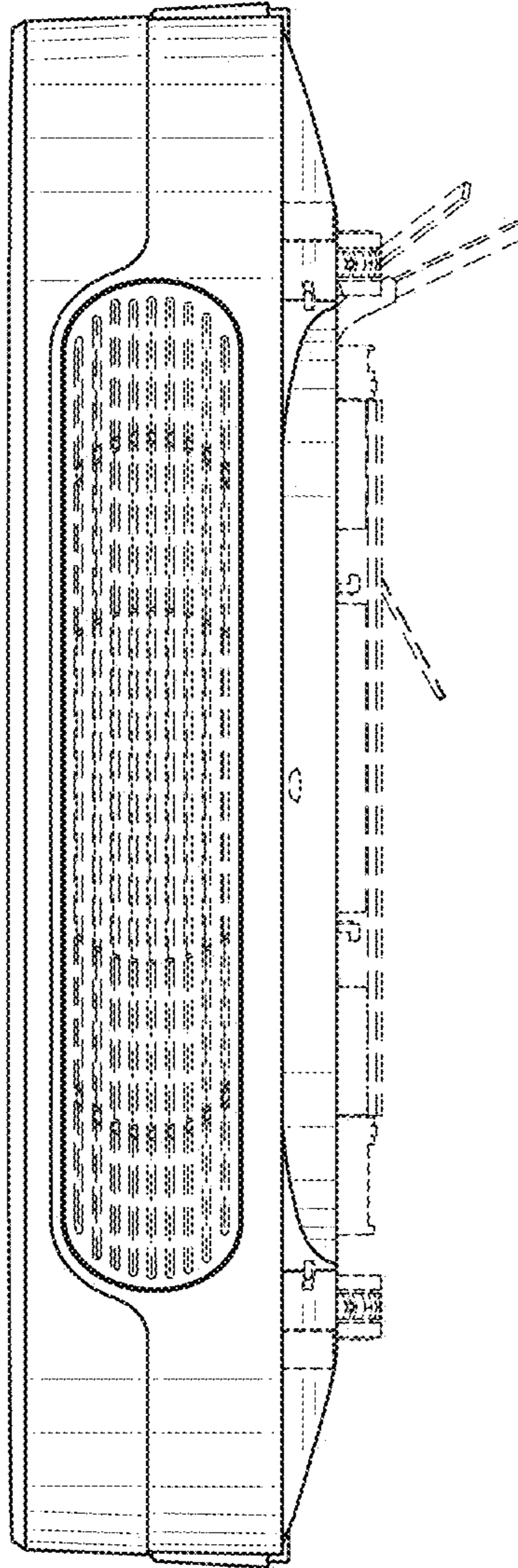


FIG. 3

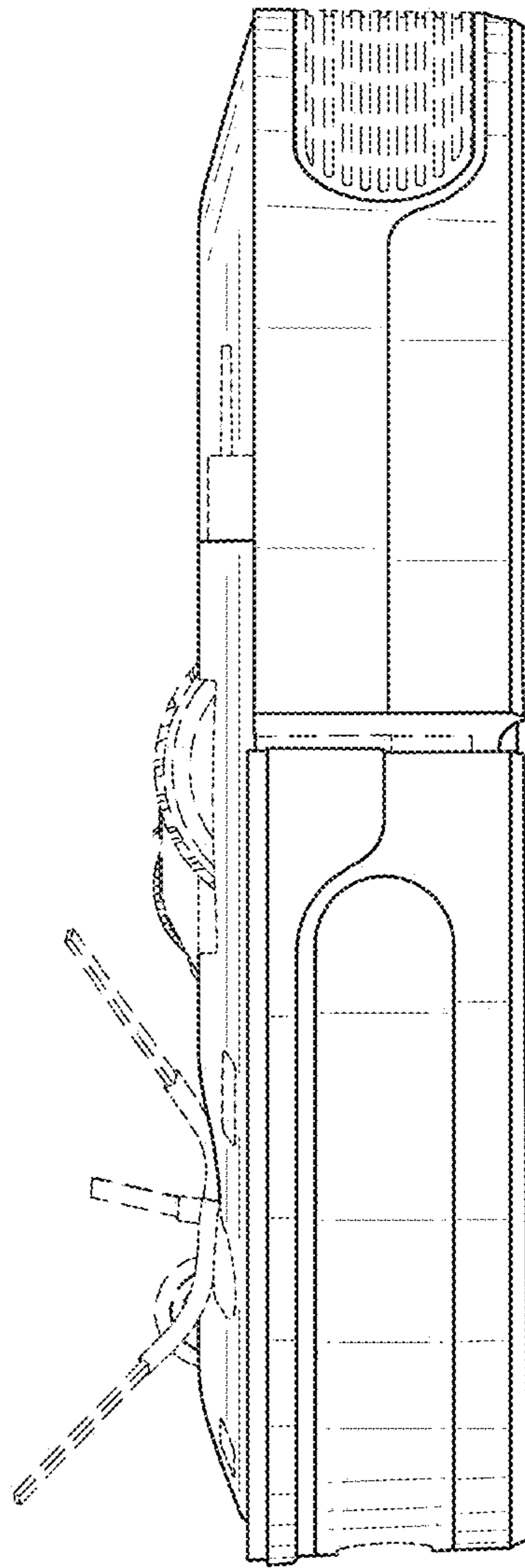


FIG. 4

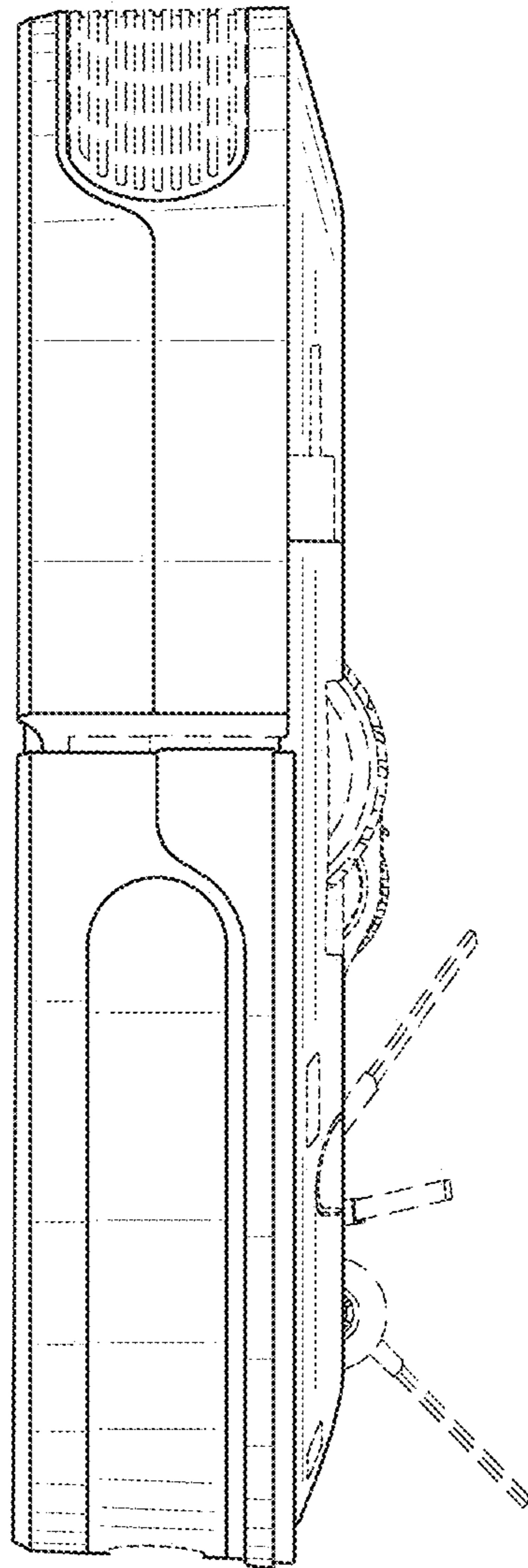


FIG. 5

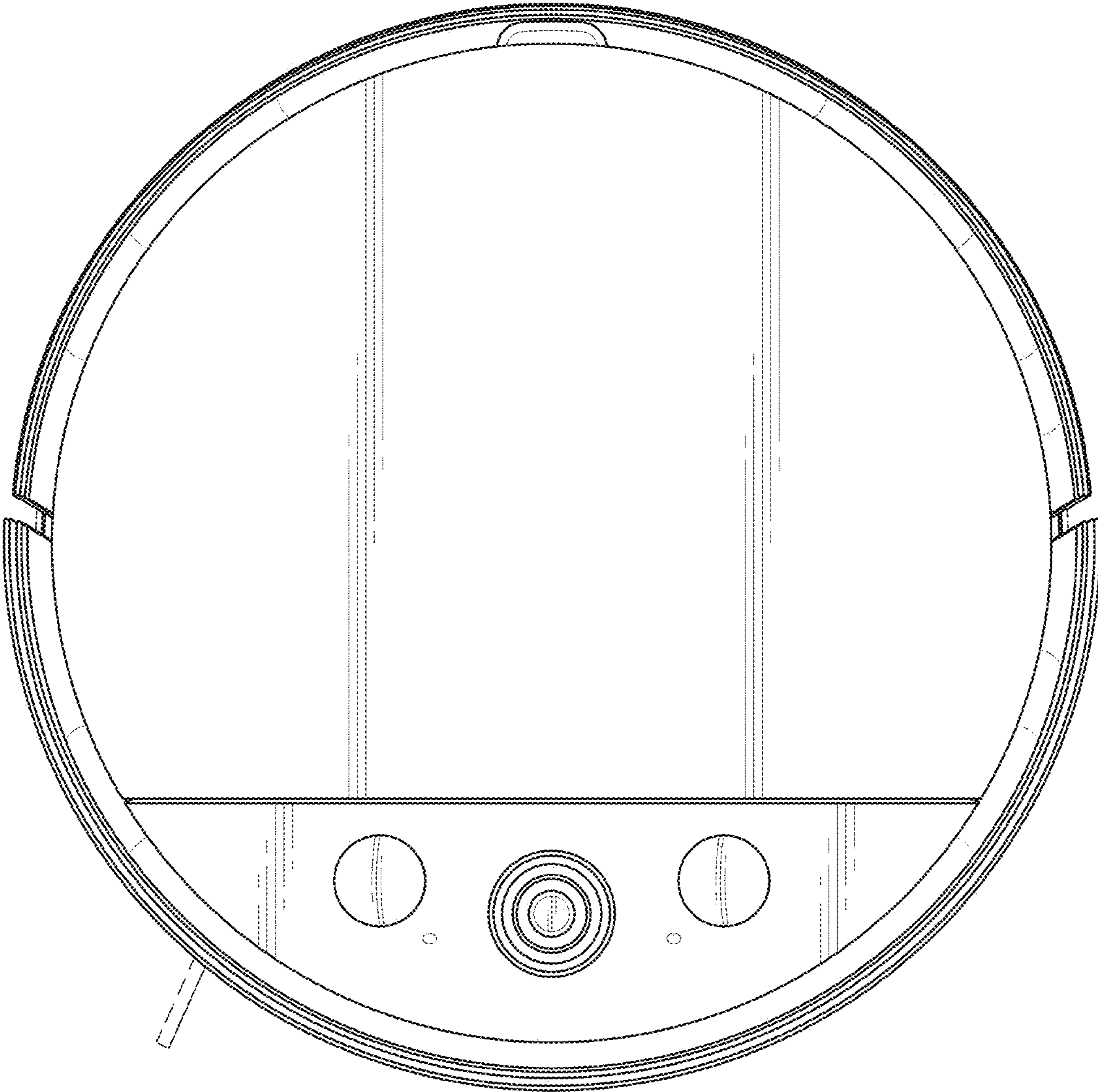


FIG. 6

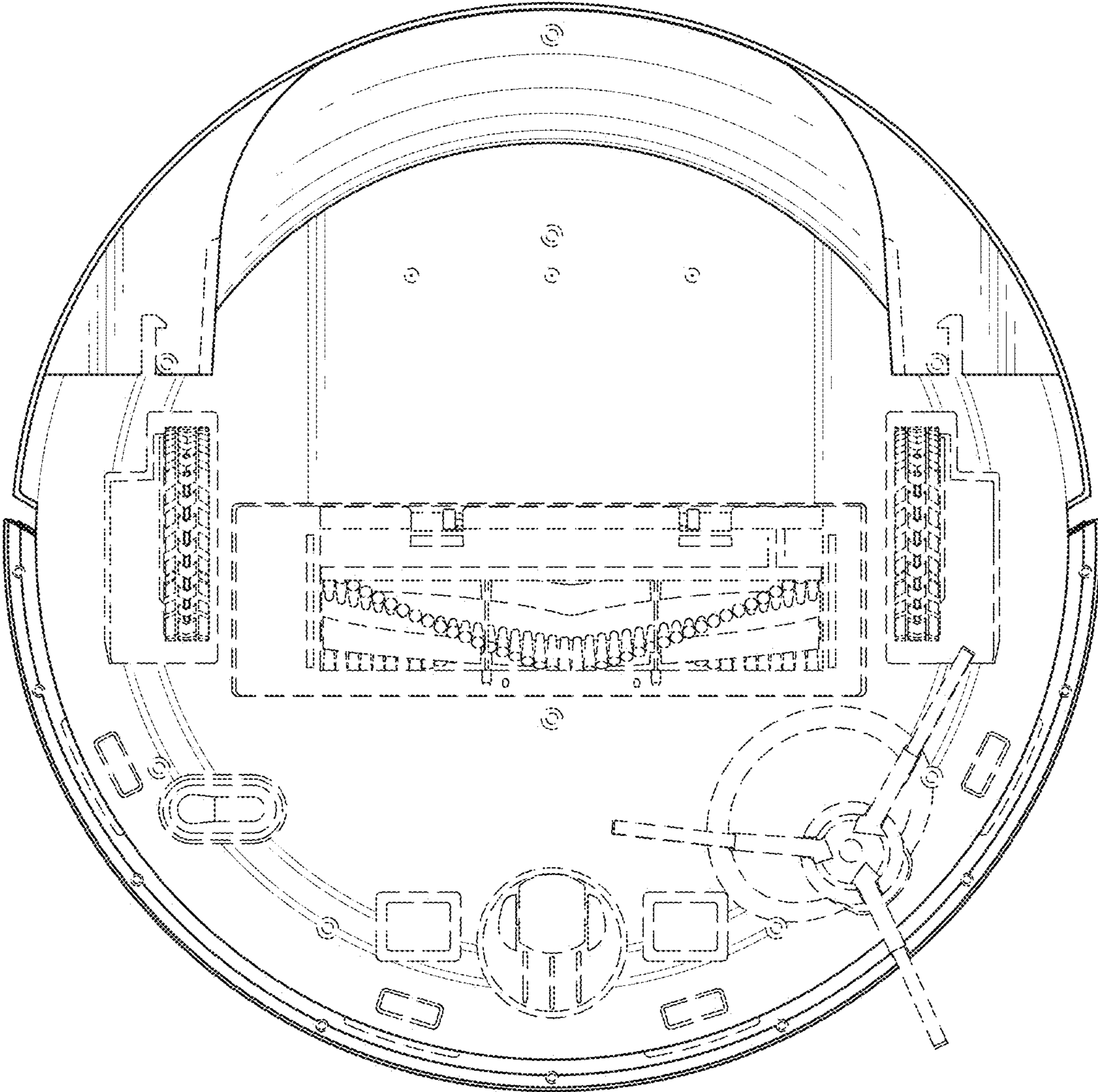


FIG. 7

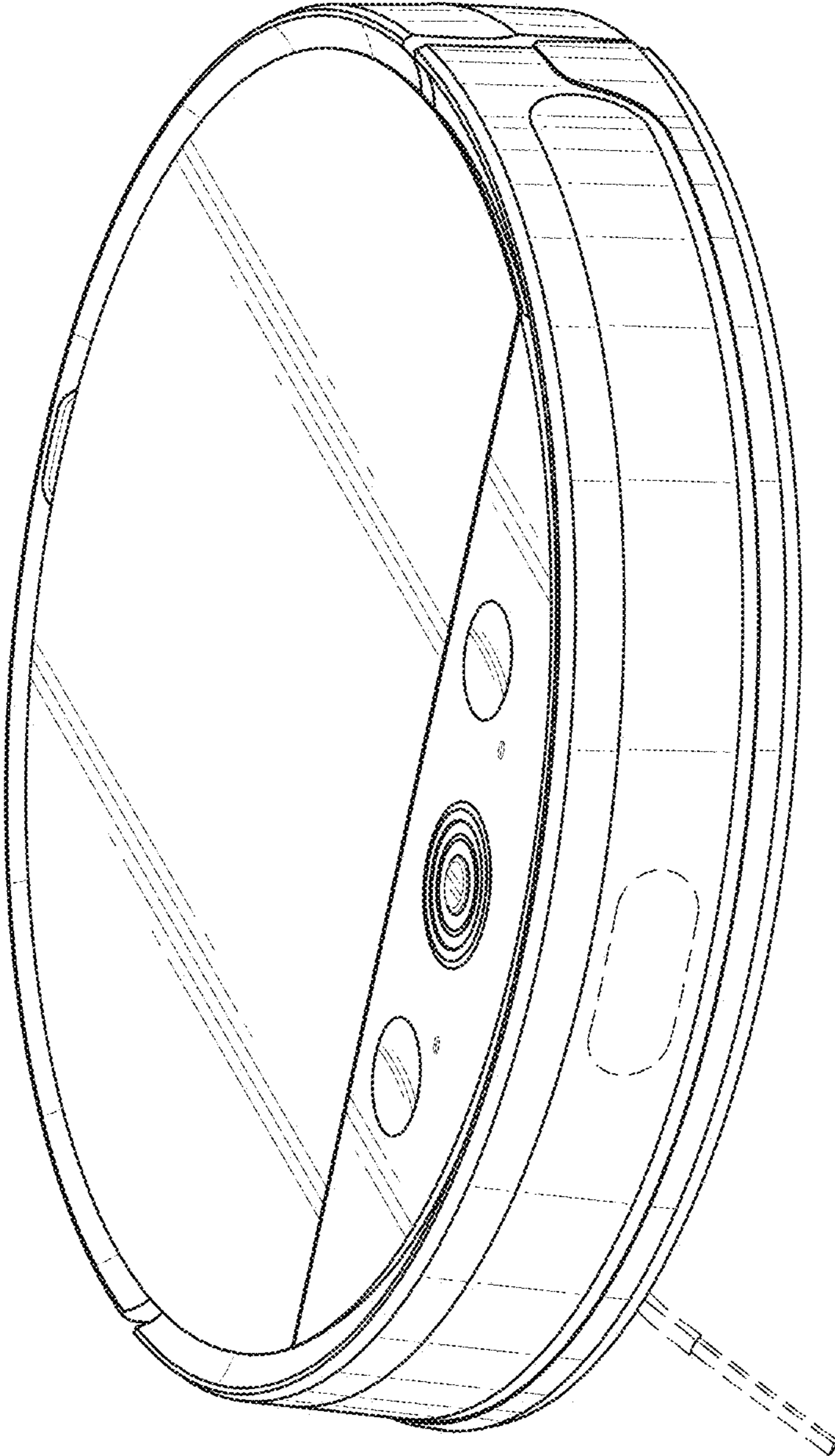


FIG. 8

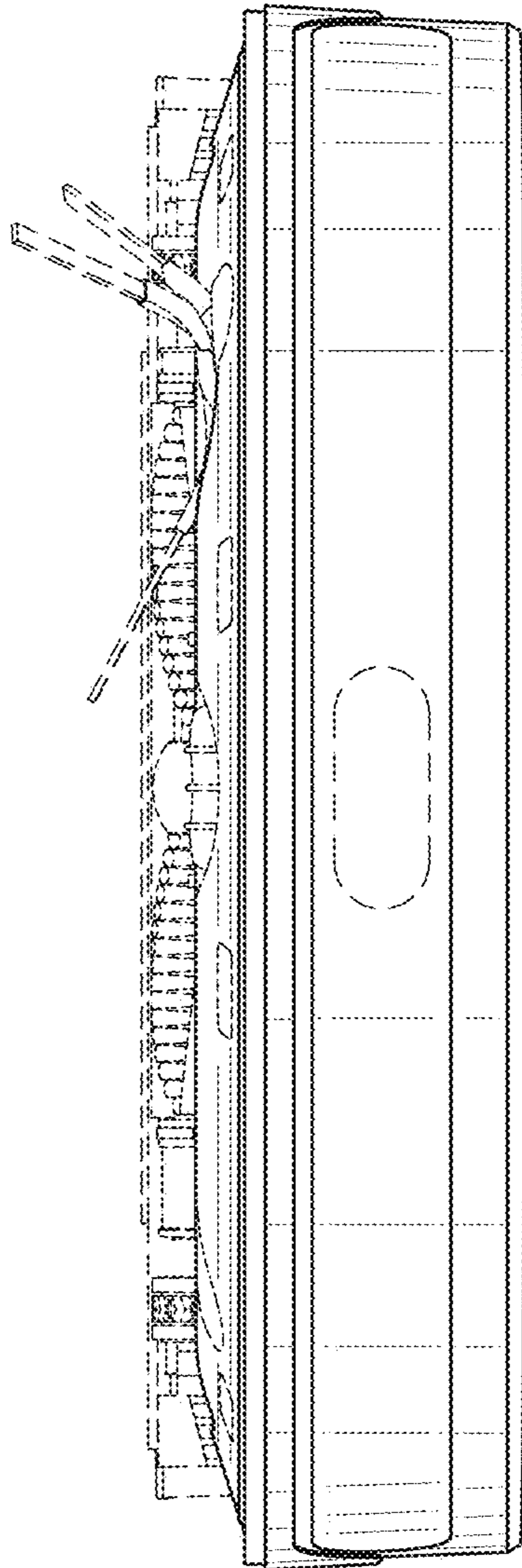


FIG. 9

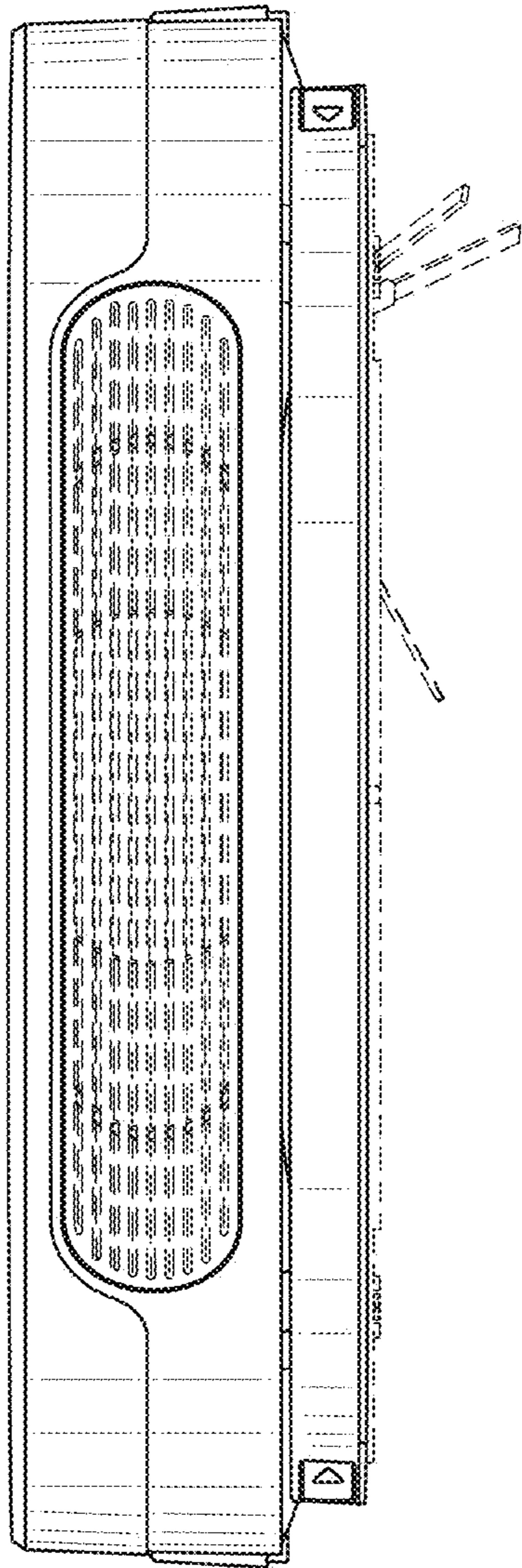


FIG. 10

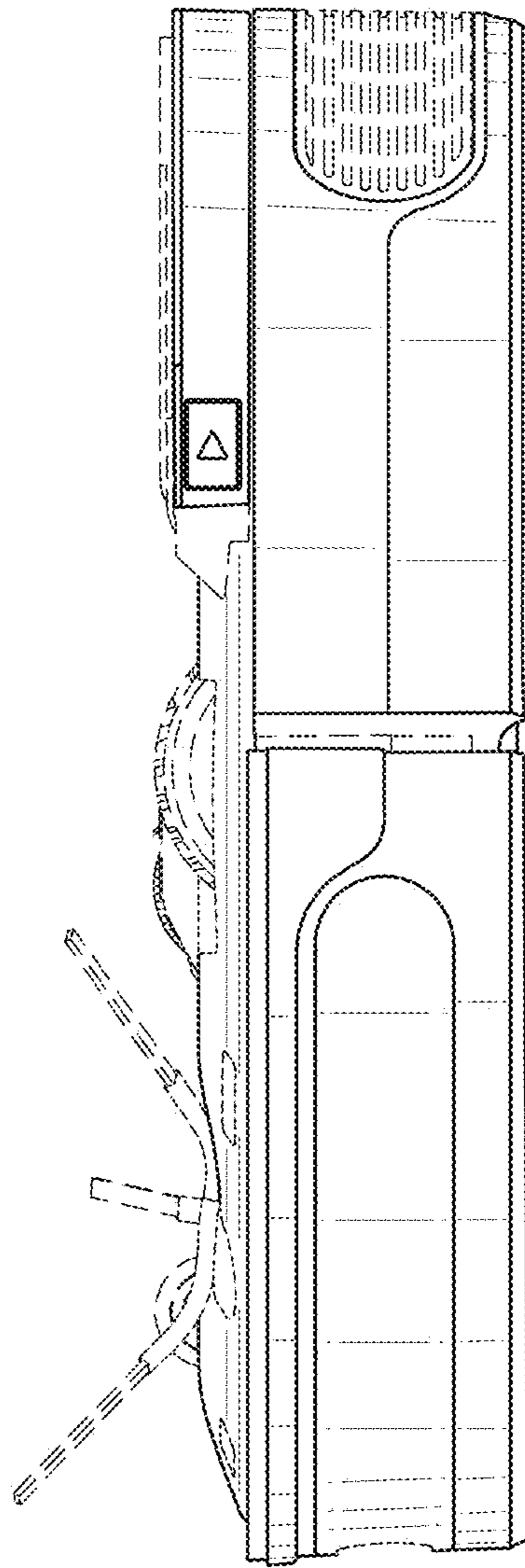


FIG. 11

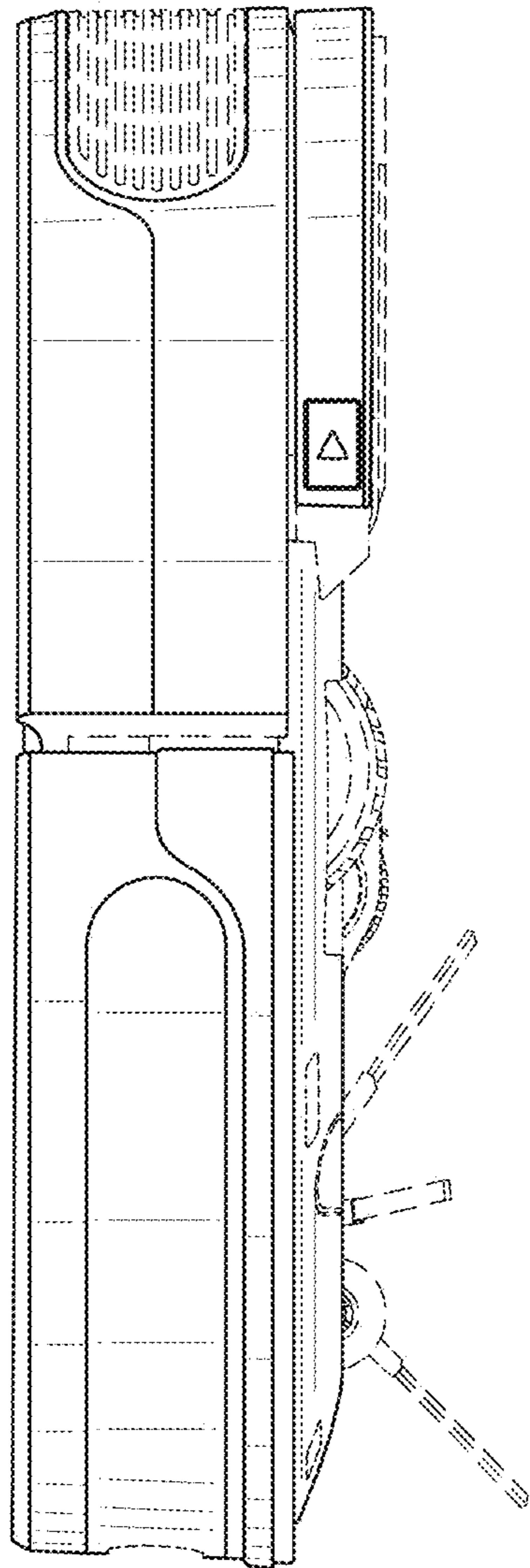


FIG. 12

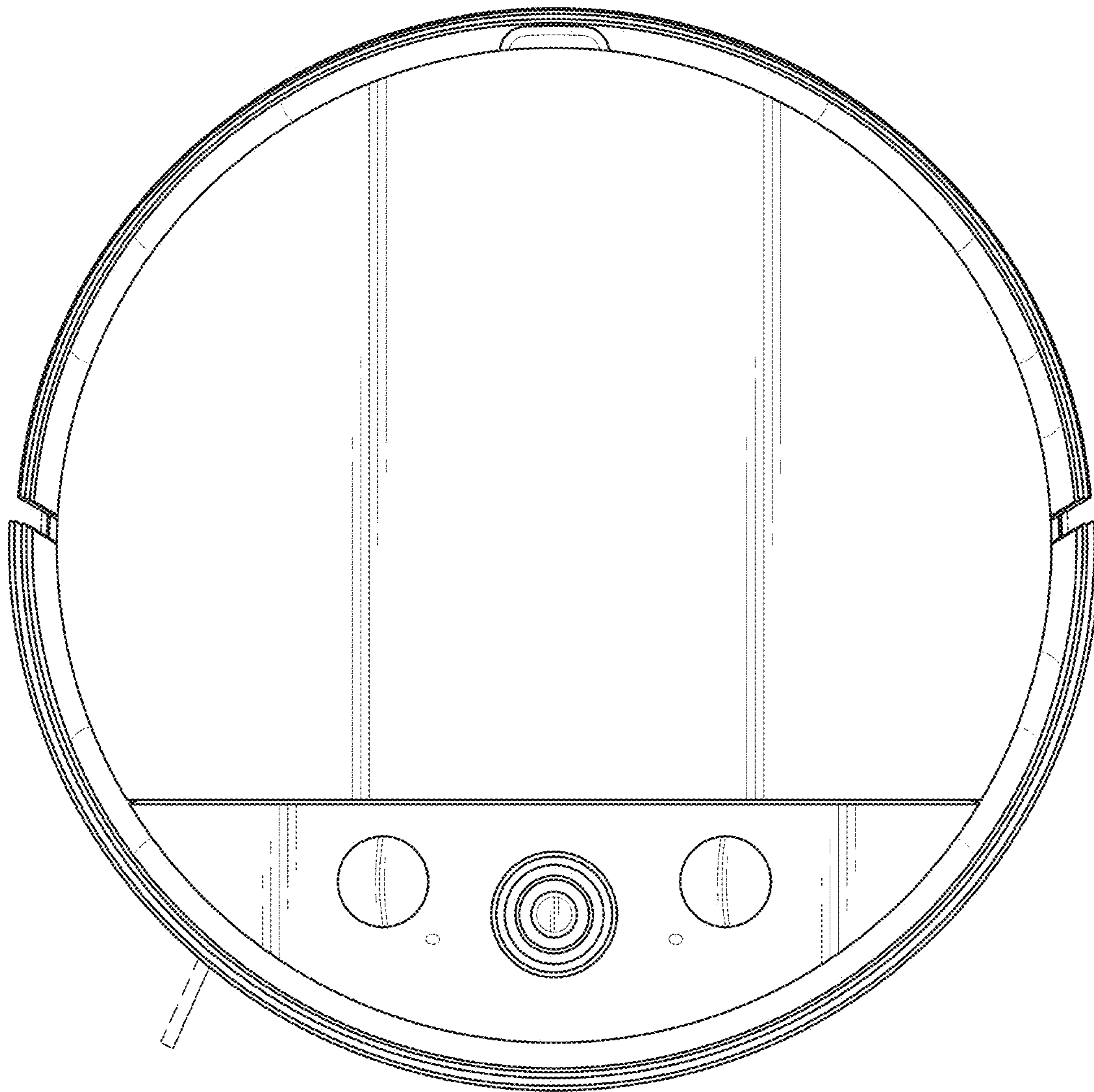


FIG. 13

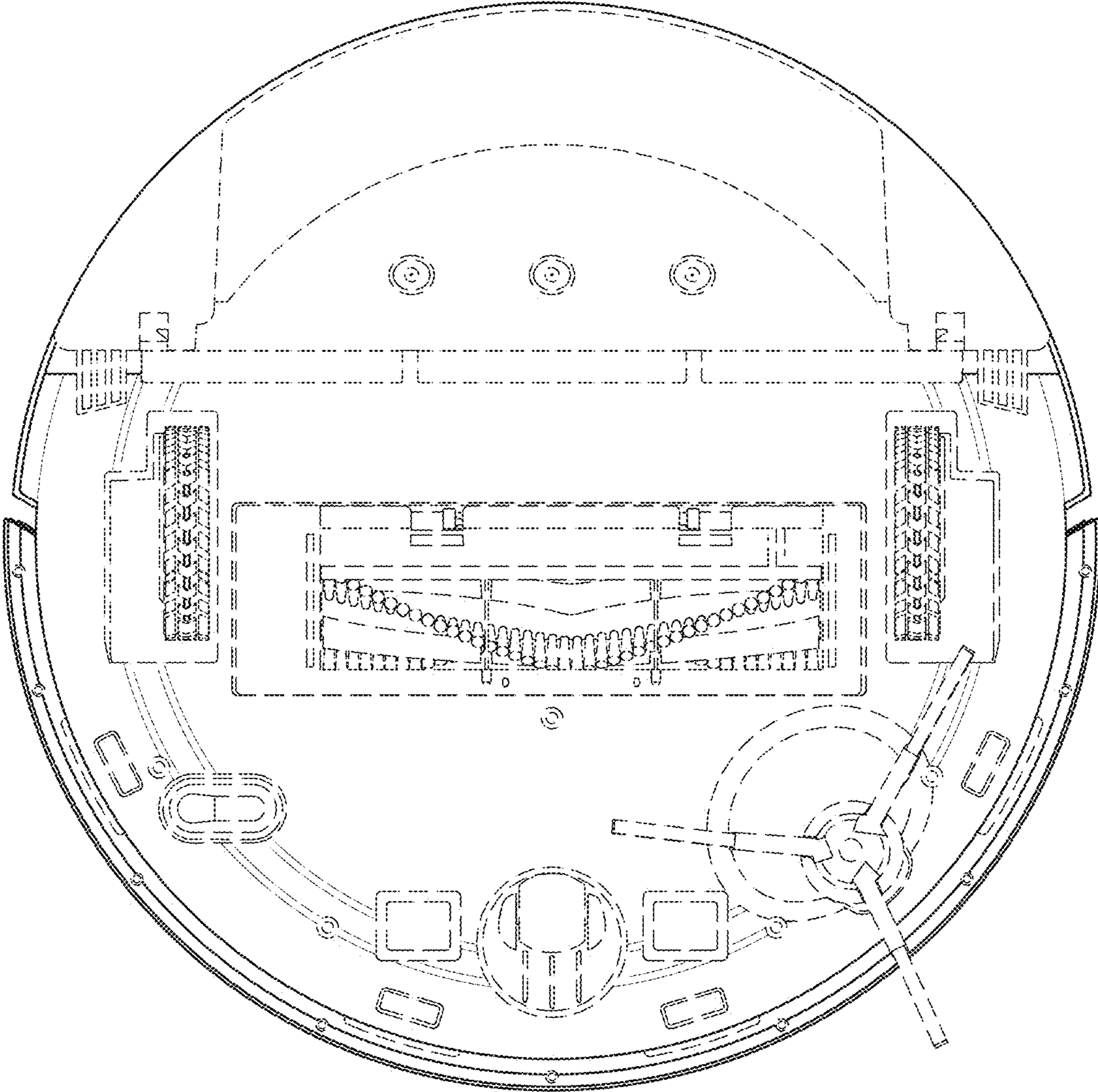


FIG. 14