



US00D919909S

(12) **United States Design Patent** (10) **Patent No.:** **US D919,909 S**
Tschopp (45) **Date of Patent:** **** May 18, 2021**

- (54) **PRESSURE WASHER**
- (71) Applicant: **BLACK & DECKER INC.**, New Britain, CT (US)
- (72) Inventor: **Tylan A. Tschopp**, Baltimore, MD (US)
- (73) Assignee: **BLACK & DECKER INC.**, New Britain, CT (US)
- (**) Term: **15 Years**
- (21) Appl. No.: **29/652,094**
- (22) Filed: **May 12, 2020**
- (51) **LOC (13) Cl.** **15-05**
- (52) **U.S. Cl.**
USPC **D32/15**
- (58) **Field of Classification Search**
USPC D32/15-16, 1, 20-21
CPC B05B 9/04; B05B 7/24
See application file for complete search history.

D804,750 S *	12/2017	Janik	D32/16
D809,721 S *	2/2018	Venard	D32/15
D834,269 S *	11/2018	Masters	D32/15
D836,272 S *	12/2018	Janik	D32/15
D839,512 S *	1/2019	Bearup	D32/25
2007/0186813 A1*	8/2007	Smith	B05D 1/02 106/281.1

FOREIGN PATENT DOCUMENTS

WO WO D100224-001 * 3/2020
* cited by examiner

Primary Examiner — John R Yeh
(74) *Attorney, Agent, or Firm* — Adan Ayala

(57) **CLAIM**

The ornamental design for a pressure washer, as shown and described.

DESCRIPTION

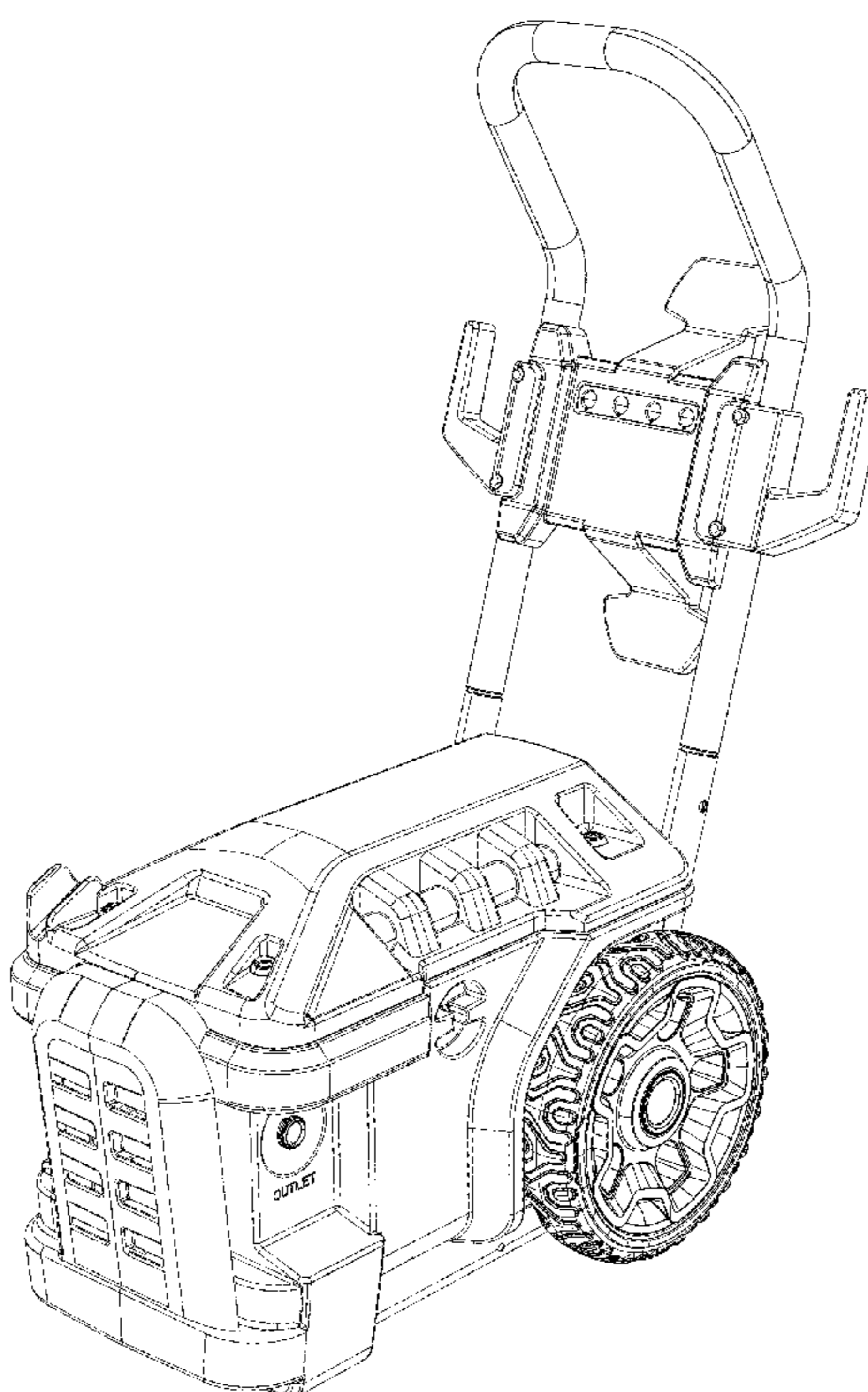
FIG. 1 is a front perspective view of a pressure washer according to the invention.
FIG. 2 is a front view thereof.
FIG. 3 is a rear view thereof.
FIG. 4 is a right side view thereof.
FIG. 5 is a left side view thereof.
FIG. 6 is a top plan view thereof; and,
FIG. 7 is a bottom plan view thereof.
The broken lines depict portions of the pressure washer that form no part of the claimed design.

1 Claim, 7 Drawing Sheets

(56) **References Cited**

U.S. PATENT DOCUMENTS

D375,591 S *	11/1996	Fryoux	D32/15
D463,888 S *	10/2002	Rehkugler	B08B 3/026 D32/1
D499,848 S *	12/2004	Leasure	D32/15
D529,670 S *	10/2006	Hendy	D32/15
D531,767 S *	11/2006	Hastie	D32/15
D532,942 S *	11/2006	Busschaert	D32/15
D778,011 S *	1/2017	Alexander	D32/16
D779,744 S *	2/2017	Weinberg	D32/16
D779,745 S *	2/2017	Weinberg	D32/16
D779,746 S *	2/2017	Weinberg	D32/16



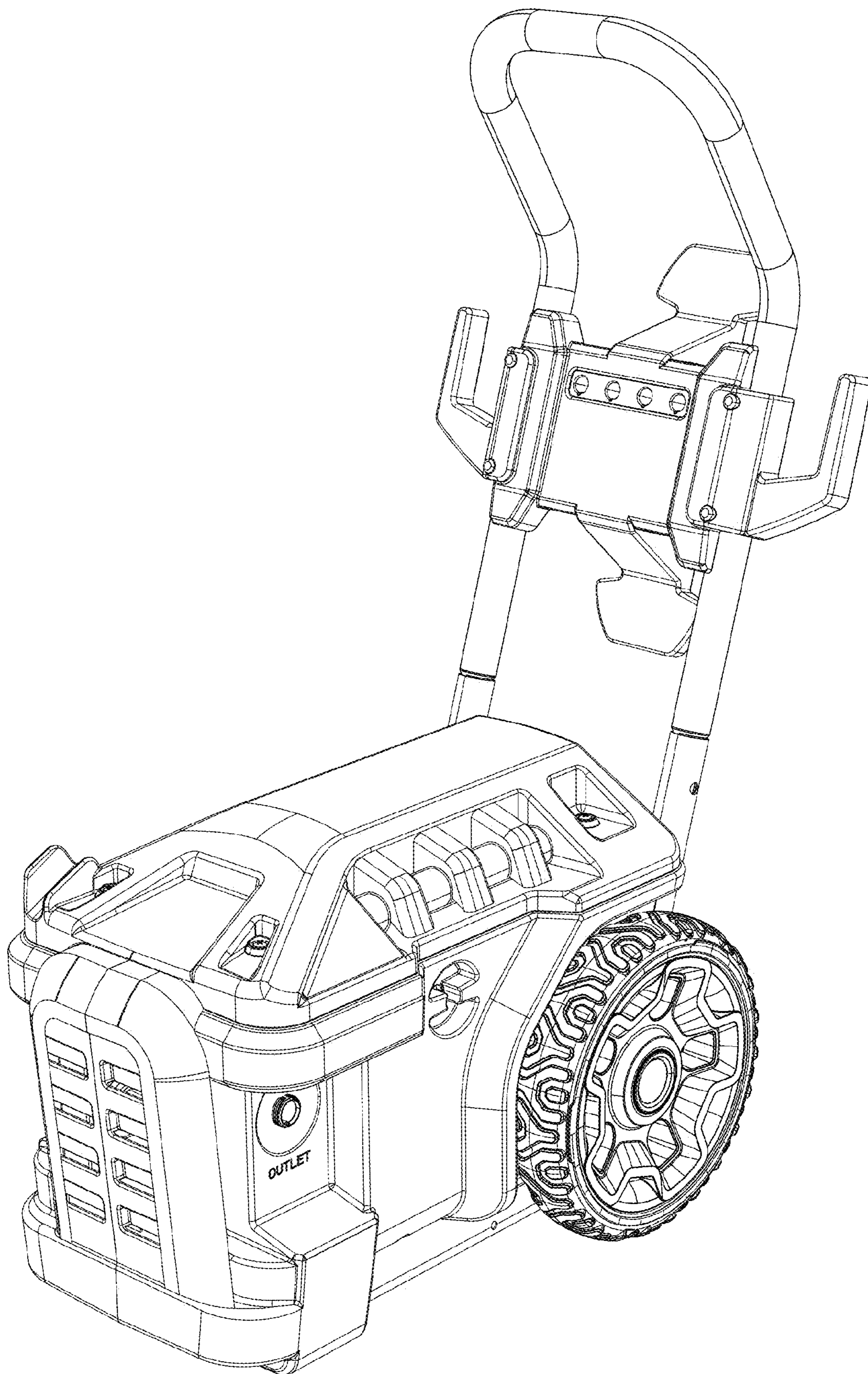


FIG. 1

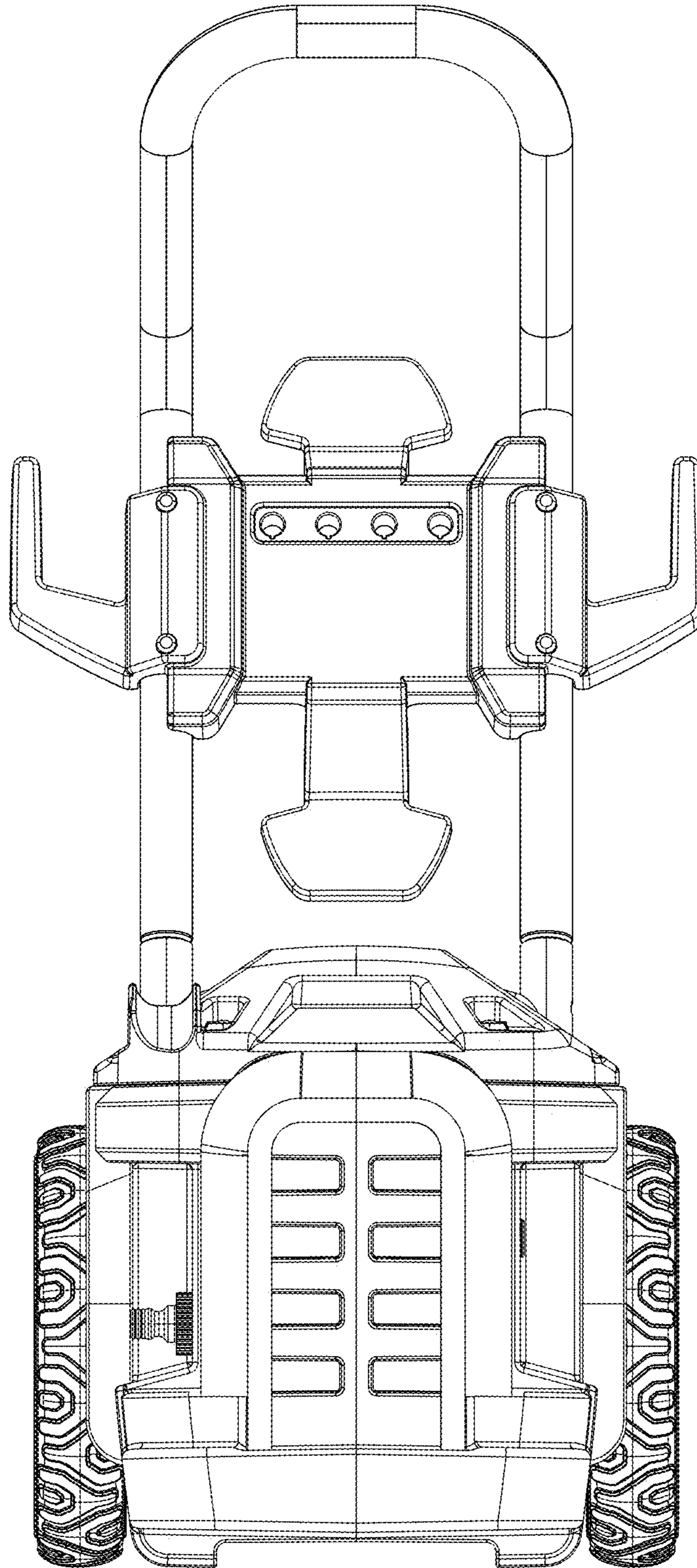


FIG. 2

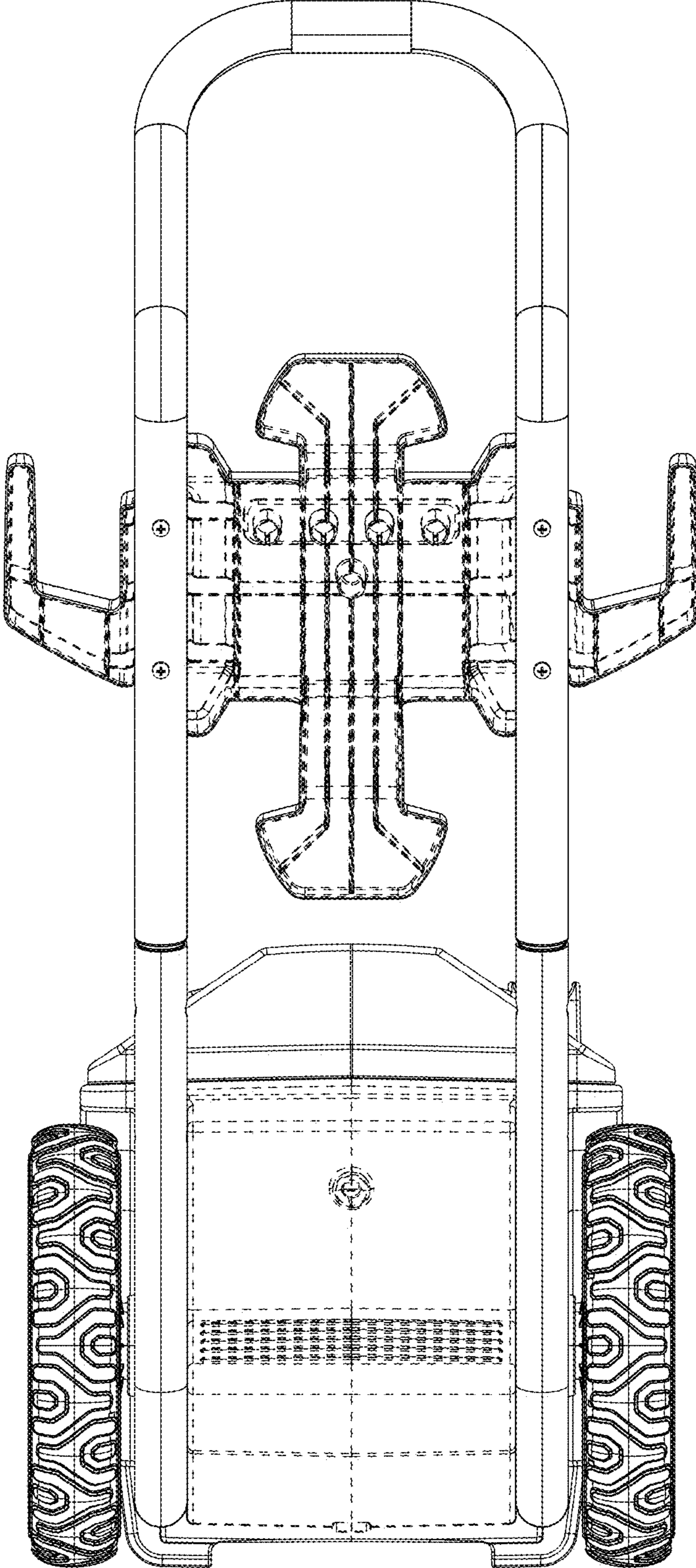


FIG. 3

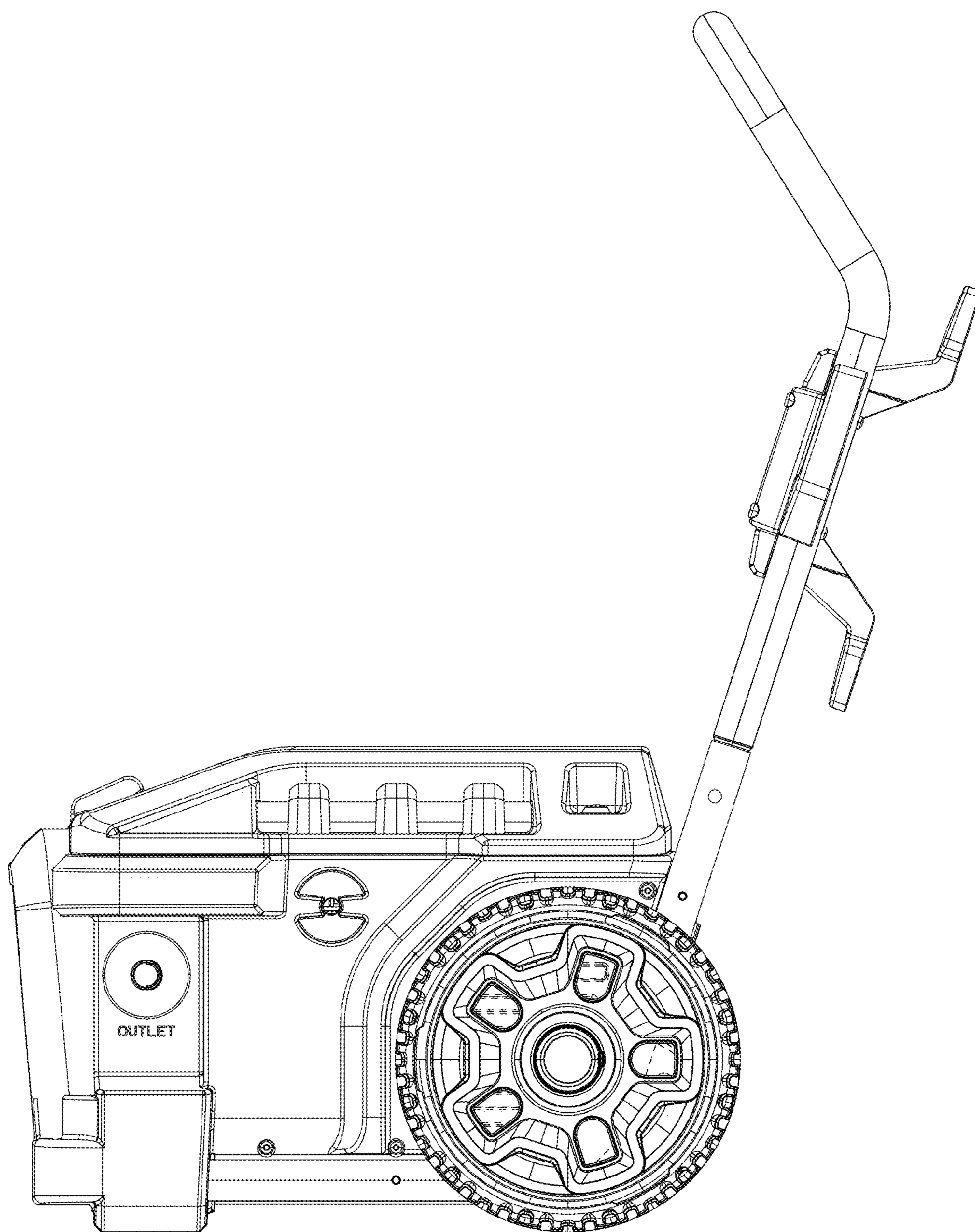


FIG. 4

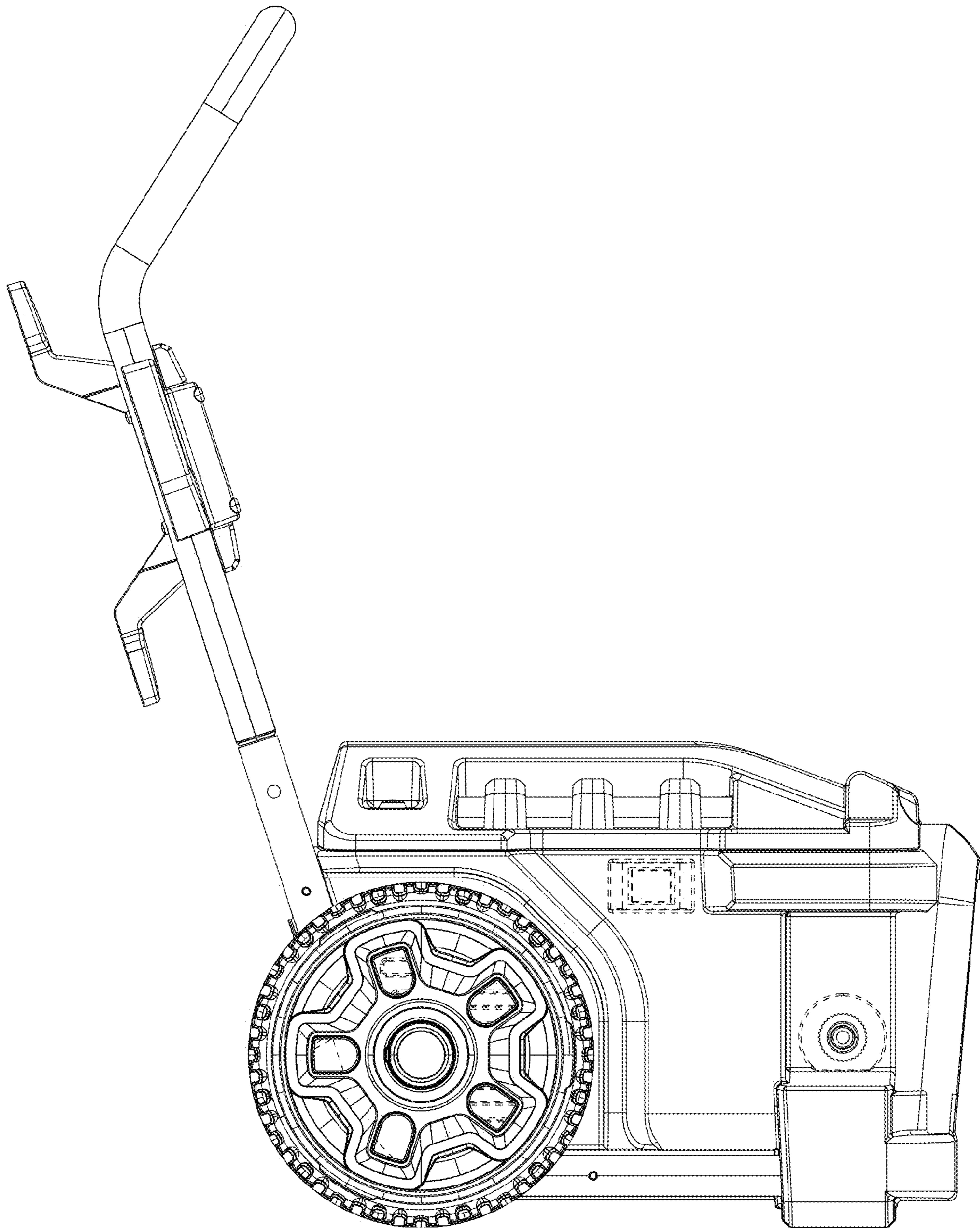


FIG. 5

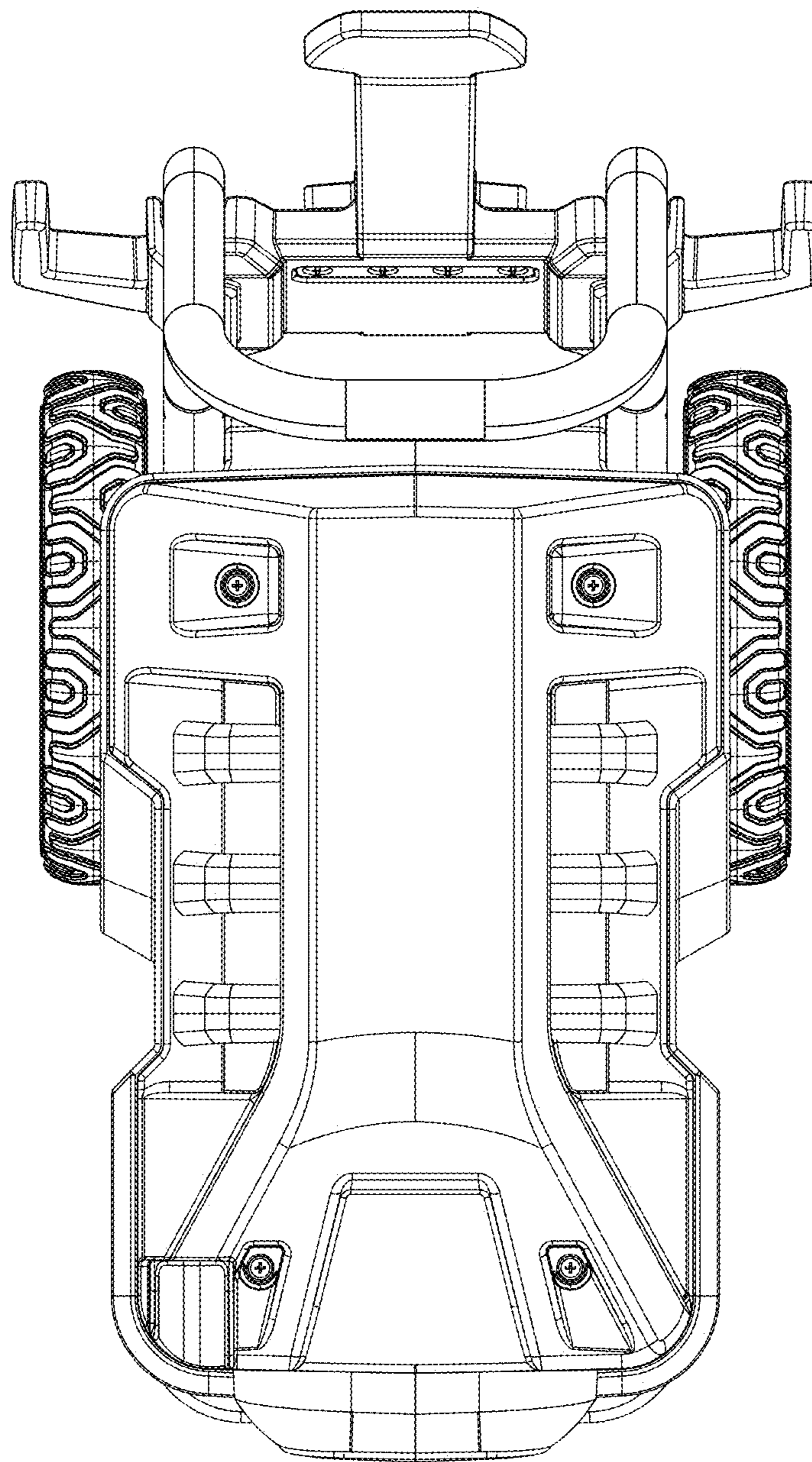


FIG. 6

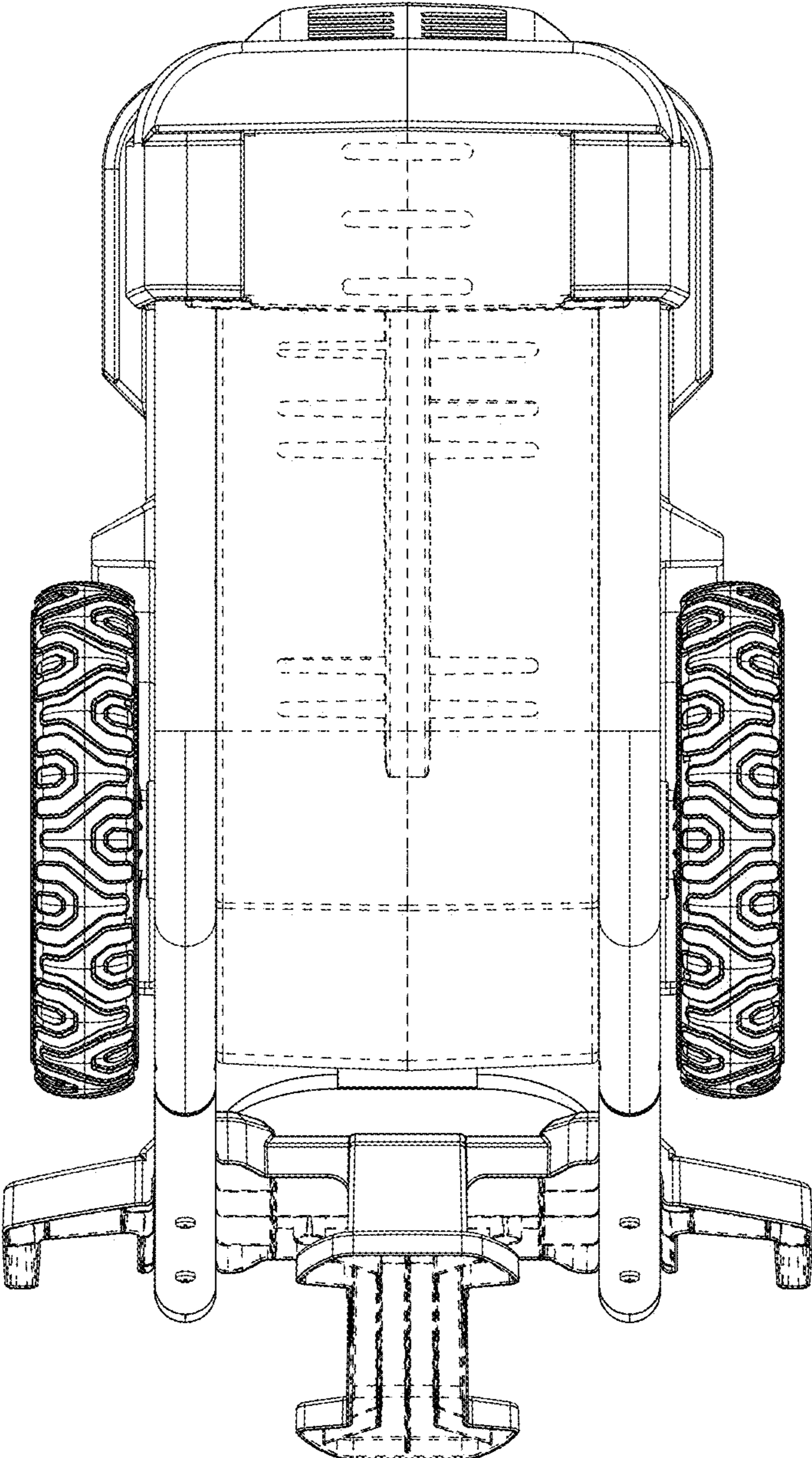


FIG. 7