



US00D919908S

(12) **United States Design Patent**
Kim et al.

(10) **Patent No.:** **US D919,908 S**

(45) **Date of Patent:** **** May 18, 2021**

(54) **DRYER**

(71) Applicant: **Dayou Winia Co., Ltd.**, Gwangju (KR)

(72) Inventors: **Bong Jun Kim**, Seoul (KR); **Young Joon Choi**, Goyang-si (KR); **Tae Hyun Kim**, Seoul (KR)

(73) Assignee: **Dayou Winia Co., Ltd.**, Gwangju (KR)

(**) Term: **15 Years**

(21) Appl. No.: **29/661,321**

(22) Filed: **Aug. 27, 2018**

(30) **Foreign Application Priority Data**

Feb. 27, 2018 (KR) 30-2018-0009733

(51) **LOC (13) Cl.** **15-05**

(52) **U.S. Cl.**
USPC **D32/8**

(58) **Field of Classification Search**

USPC D32/1, 5-6, 8, 25, 28, 29
CPC D06F 33/02; D06F 39/02; D06F 2204/065;
D06F 25/00; D06F 35/006; D06F 58/00;
D06F 58/02; D06F 58/04; D06F 58/20;
D06F 23/04; G05B 19/042

See application file for complete search history.

(56) **References Cited**

U.S. PATENT DOCUMENTS

D611,207 S * 3/2010 Yalcin D32/6
D617,960 S * 6/2010 Bohm D32/6
D628,755 S * 12/2010 Helot D32/5
D635,727 S * 4/2011 Jeon D32/6
D653,822 S * 2/2012 Geyer D32/6
D659,307 S * 5/2012 Geyer D32/6
D693,973 S * 11/2013 Geyer D32/6
D703,883 S * 4/2014 Ha D32/6

D703,884 S * 4/2014 Ha D32/6
D703,885 S * 4/2014 Ha D32/6
D712,603 S * 9/2014 Geyer D32/6
D826,489 S * 8/2018 Yoon D32/6
D831,906 S * 10/2018 Lidija D32/6
D848,092 S * 5/2019 Yoon D32/6
D850,033 S * 5/2019 Yoon D32/6
D850,034 S * 5/2019 Yoon D32/6
D850,035 S * 5/2019 Yoon D32/6
D850,735 S * 6/2019 Yoon D32/6
D851,845 S * 6/2019 Son D32/6
D853,667 S * 7/2019 Yang D32/6
D858,012 S * 8/2019 Yoon D32/6
D866,099 S * 11/2019 Yoon D32/6

* cited by examiner

Primary Examiner — Michelle E. Wilson

(74) *Attorney, Agent, or Firm* — NSIP Law

(57) **CLAIM**

We claim the ornamental design for a dryer, as shown and described.

DESCRIPTION

FIG. 1 is a front perspective view of a dryer showing our new design;

FIG. 2 is a front view thereof;

FIG. 3 is a rear view thereof;

FIG. 4 is a left-side view thereof;

FIG. 5 is a right-side view thereof;

FIG. 6 is a top view thereof;

FIG. 7 is a bottom view thereof; and,

FIG. 8 is an enlarged view of the knob feature shown in FIG. 1.

The broken lines in the figures depict portions of the dryer which form no part of the claimed design. The dot-dot-dash broken lines encircling portions of the claimed design that are illustrated in enlargements form no part of the claimed design.

1 Claim, 8 Drawing Sheets

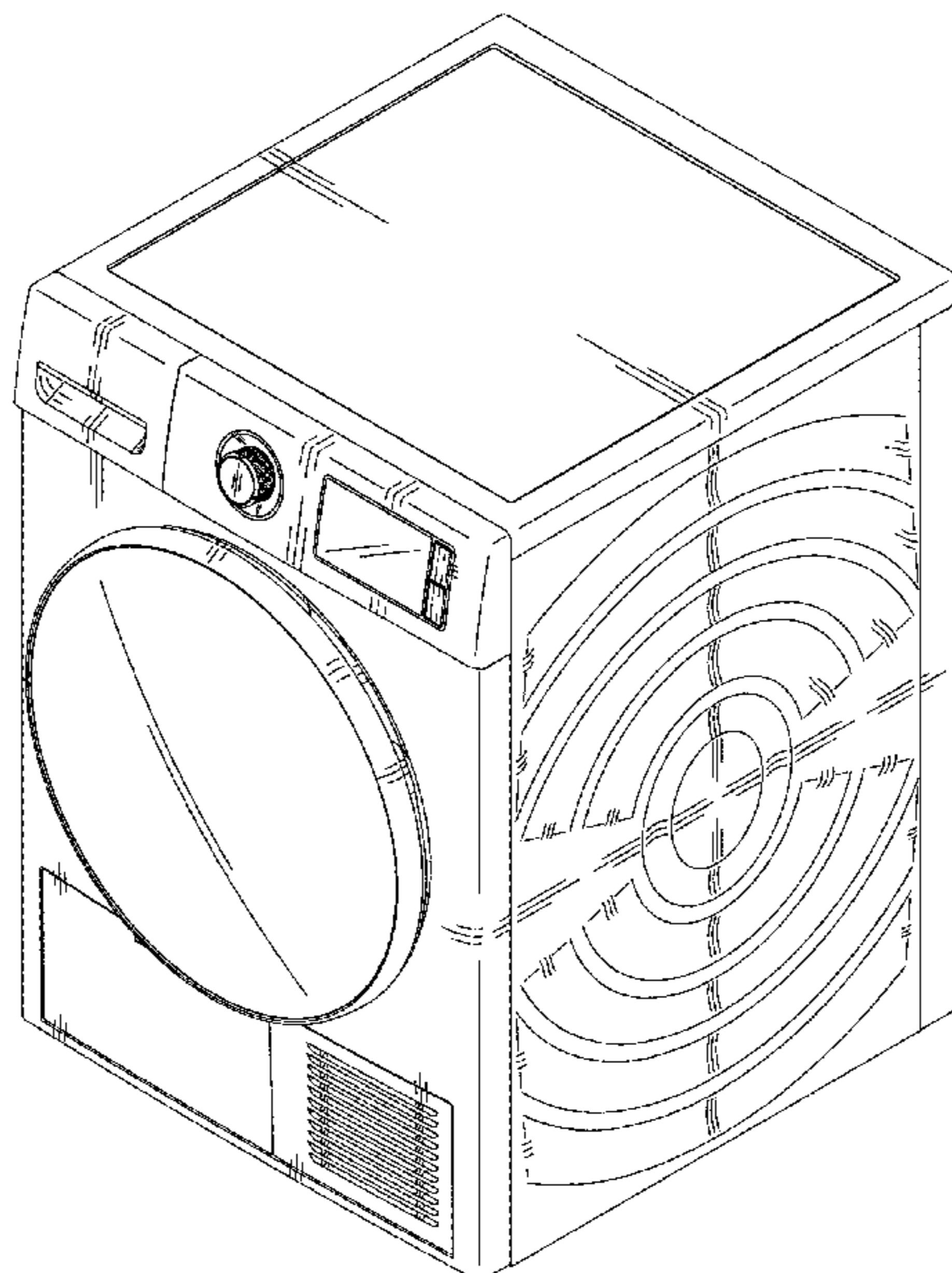


FIG. 1

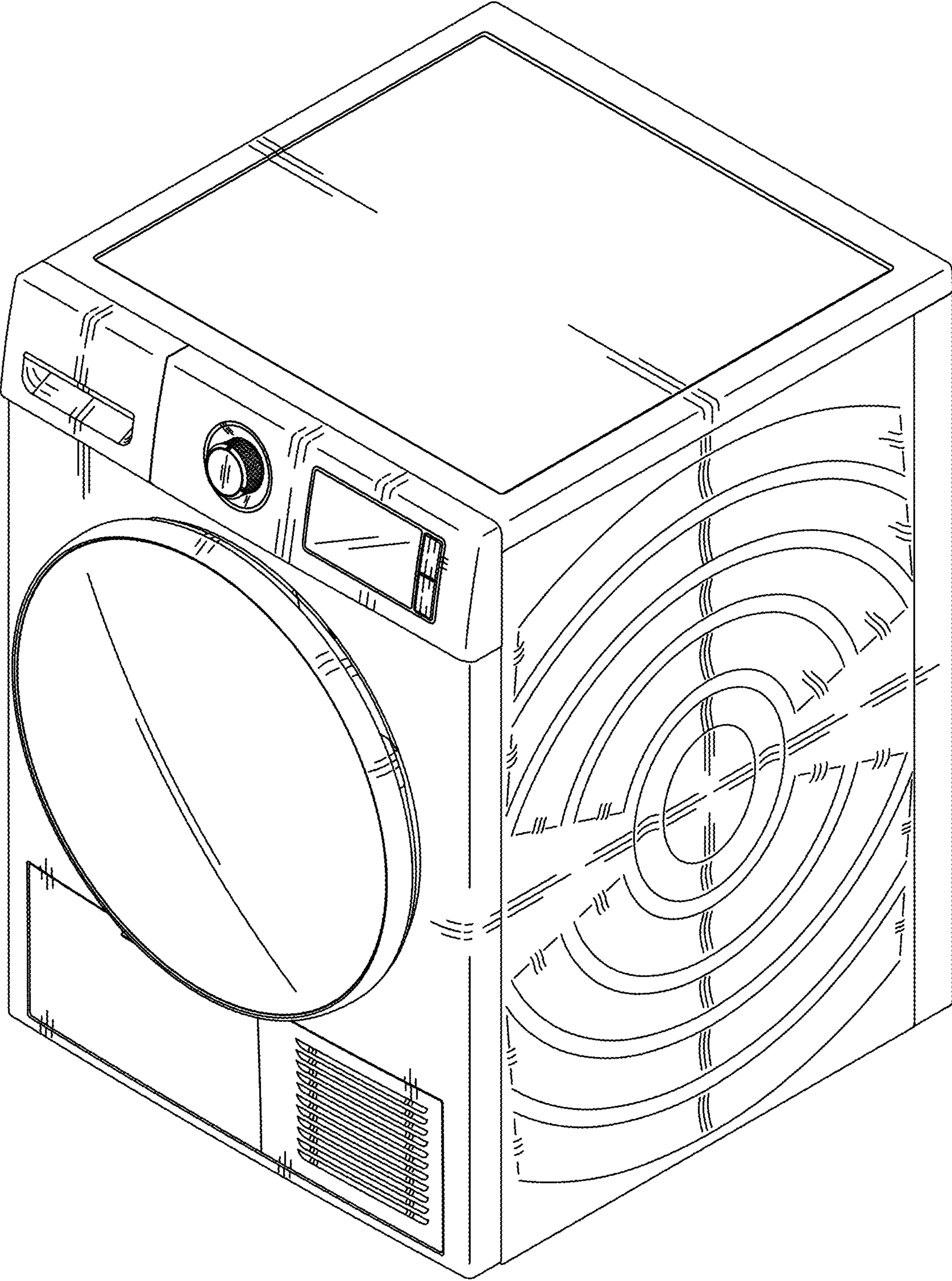


FIG. 2

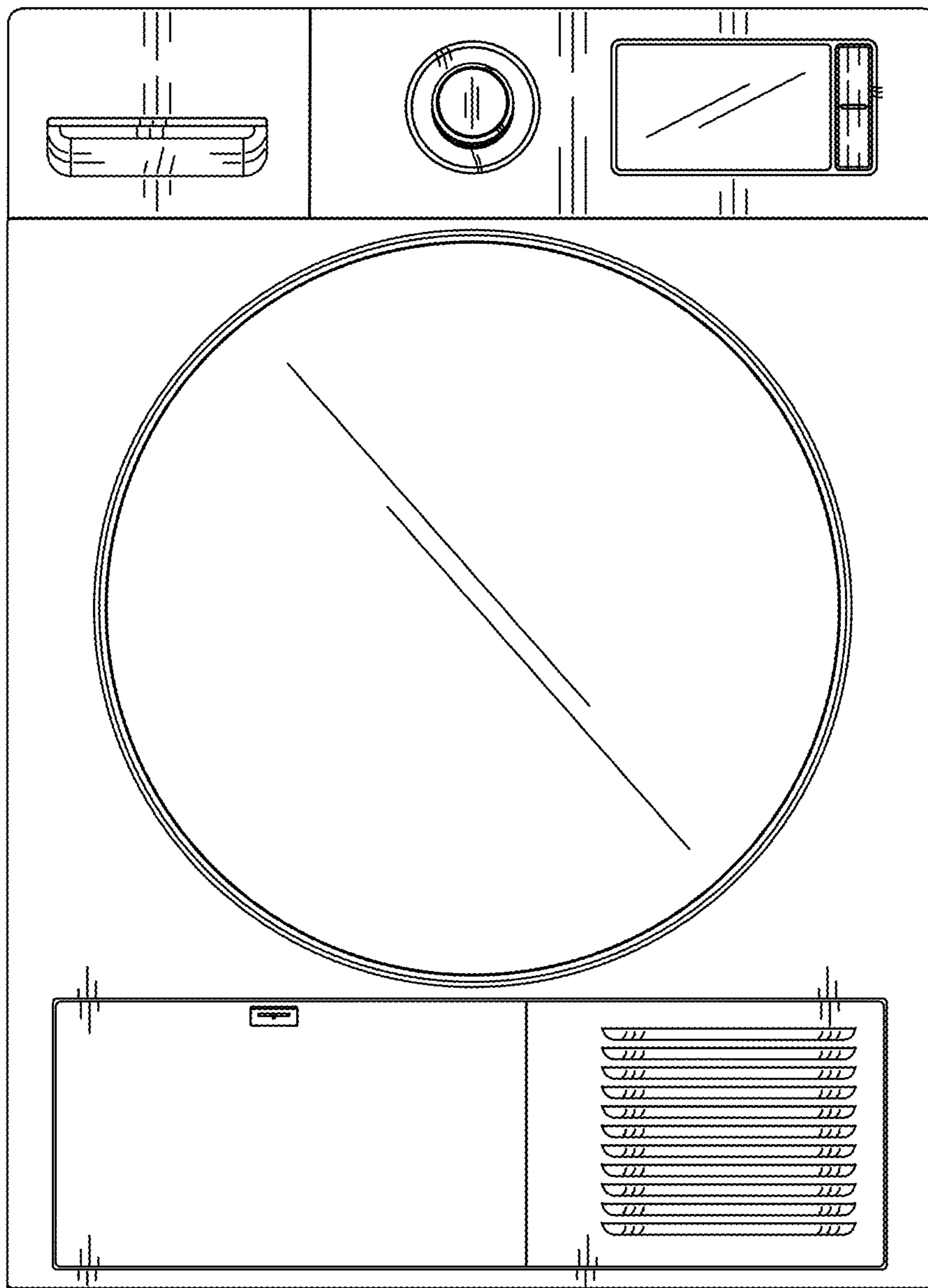


FIG. 3

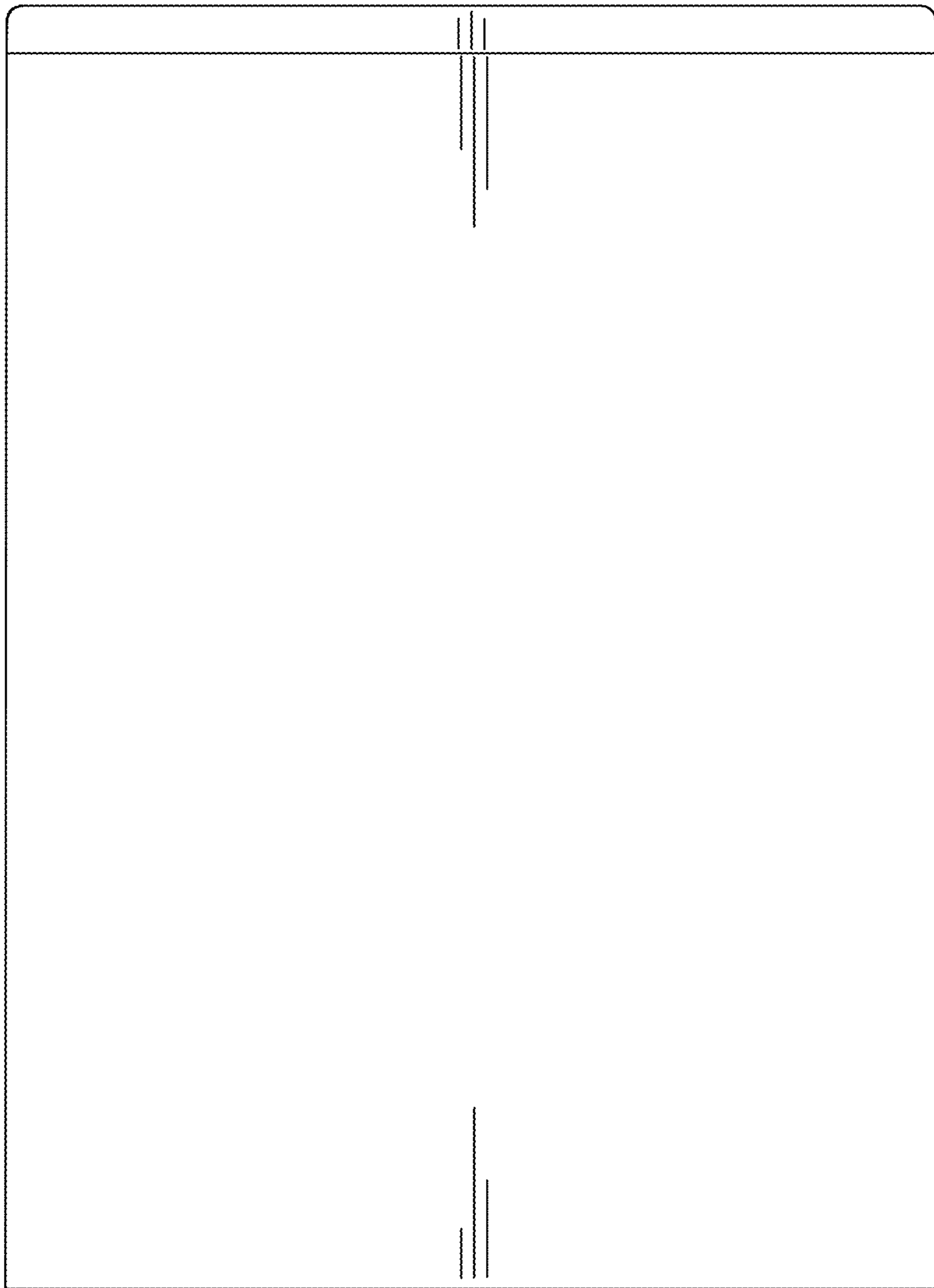


FIG. 4

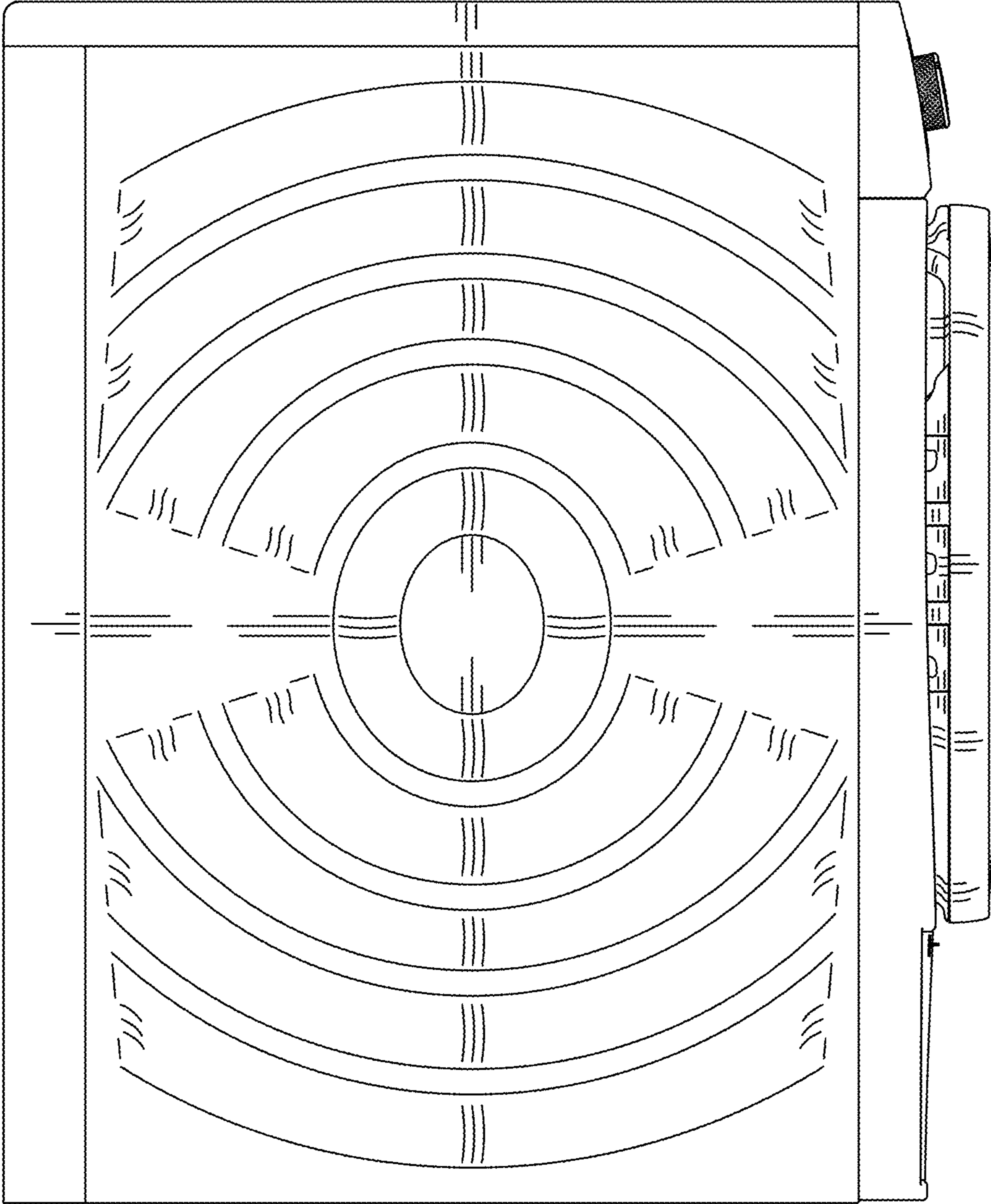


FIG. 5

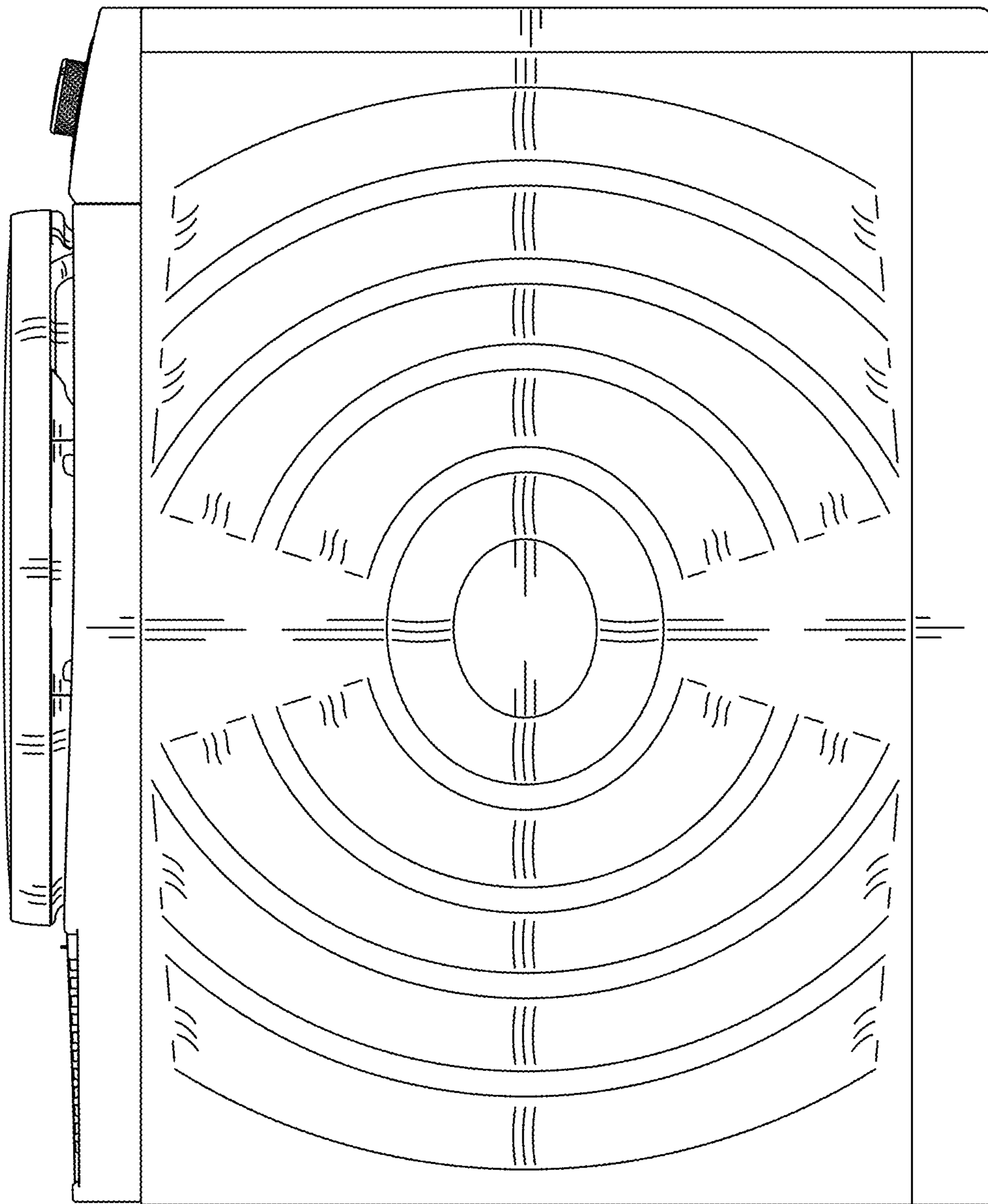


FIG. 6

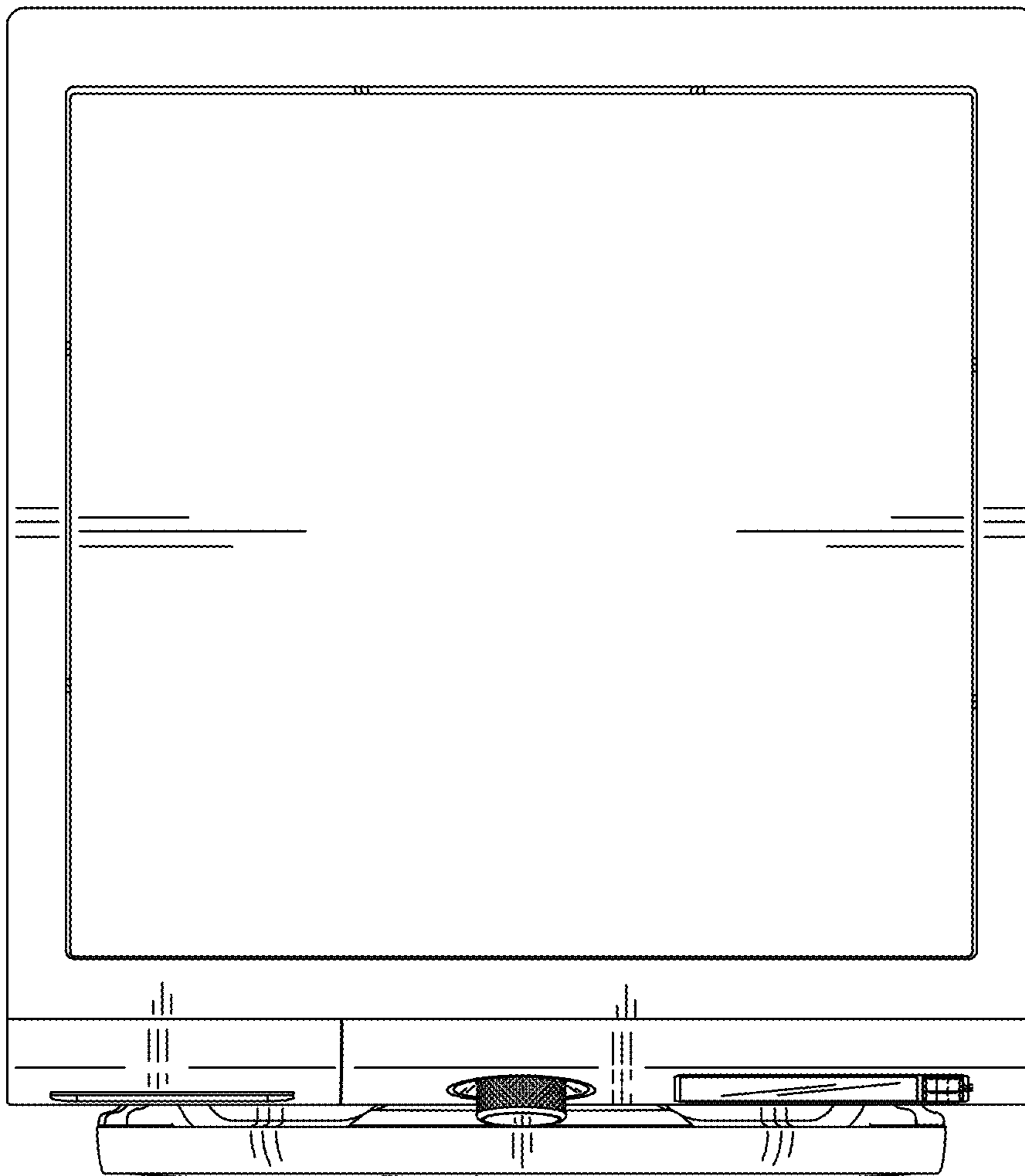


FIG. 7

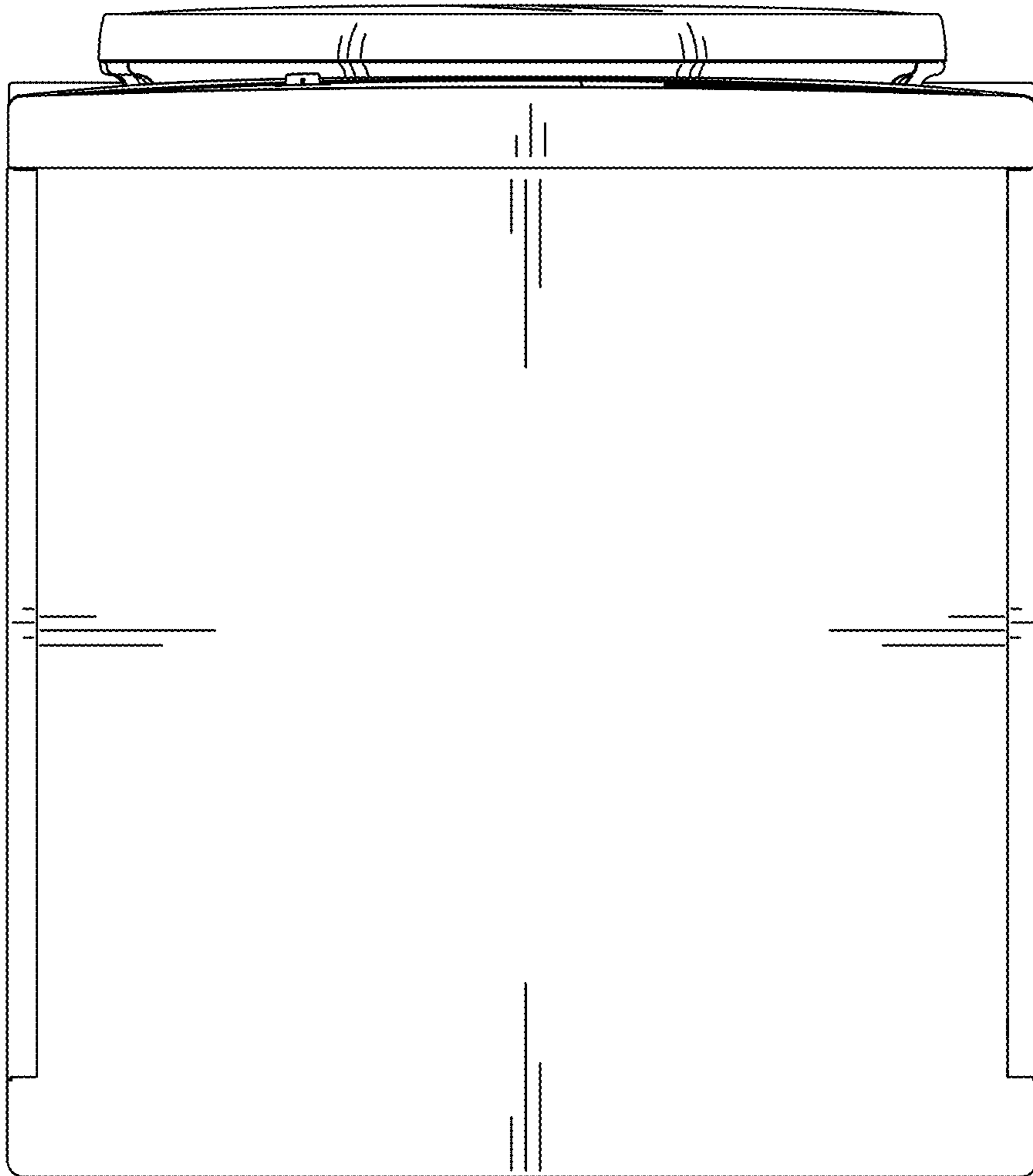


FIG. 8

