



US00D919906S

(12) **United States Design Patent** (10) **Patent No.:** **US D919,906 S**
Kim et al. (45) **Date of Patent:** **** May 18, 2021**

(54) **WASHING MACHINE**

(71) Applicant: **LG ELECTRONICS INC.**, Seoul (KR)

(72) Inventors: **Hyewon Kim**, Seoul (KR); **Junghwan Lee**, Seoul (KR); **Hoil Jeon**, Seoul (KR); **Nerry Son**, Seoul (KR)

(73) Assignee: **LG Electronics Inc.**, Seoul (KR)

(**) Term: **15 Years**

(21) Appl. No.: **35/508,583**

(22) Filed: **Aug. 14, 2019**

(80) **Hague Agreement Data**

Int. Filing Date: **Aug. 14, 2019**

Int. Reg. No.: **DM/204217**

Int. Reg. Date: **Aug. 14, 2019**

Int. Reg. Pub. Date: **Feb. 14, 2020**

(51) **LOC (13) Cl.** **32-03**

(52) **U.S. Cl.**
USPC **D32/6**

(58) **Field of Classification Search**

USPC D32/1, 5, 6, 8, 10, 25, 28, 29, 29.1

CPC D06F 33/02; D06F 37/22; D06F 39/02;

D06F 2058/2864; D06F 2058/287; D06F

2204/086; D06F 35/006; D06F 37/265;

D06F 37/268; D06F 58/206; D06F 58/28;

D06F 13/00; D06F 13/02; D06F 17/06;

D06F 17/10; D06F 2202/085; D06F

2202/10; D06F 2202/12; D06F 2204/04;

D06F 2204/065; D06F 2204/082; D06F

2222/00; D06F 23/04; D06F 25/00; D06F

29/005; D06F 37/02; D06F 37/04; D06F

37/14; D06F 37/203; D06F 27/206; D06F

37/225; D06F 37/24; D06F 37/267; D06F

37/28; D06F 37/36; D06F 37/40; D06F

39/005; D06F 39/006; D06F 39/007;

D06F 39/024; D06F 39/12; D06F 39/14;

D06F 58/20

See application file for complete search history.

(56) **References Cited**

U.S. PATENT DOCUMENTS

D496,709	S	*	9/2004	Suh	D32/6
D517,255	S	*	3/2006	Kim	D32/5
D517,257	S	*	3/2006	Kim	D32/6
D520,686	S	*	5/2006	Jeon	D32/6
D527,499	S	*	8/2006	Jung	D32/6
D544,658	S	*	6/2007	Kim	D32/6
D549,896	S	*	8/2007	Suh	D32/6
D549,897	S	*	8/2007	Suh	D32/6
D549,898	S	*	8/2007	Suh	D32/6
D549,899	S	*	8/2007	Suh	D32/6
D549,902	S	*	8/2007	Suh	D32/8
D550,907	S	*	9/2007	Jeon	D32/6
D559,479	S	*	1/2008	Kwon	D32/6

(Continued)

Primary Examiner — Khawaja Anwar

(74) *Attorney, Agent, or Firm* — Birch, Stewart, Kolasch & Birch, LLP

(57) **CLAIM**

The ornamental design for a washing machine, as shown and described.

DESCRIPTION

1. Washing machine

1.1 : Perspective

1.2 : Front

1.3 : Back

1.4 : Left

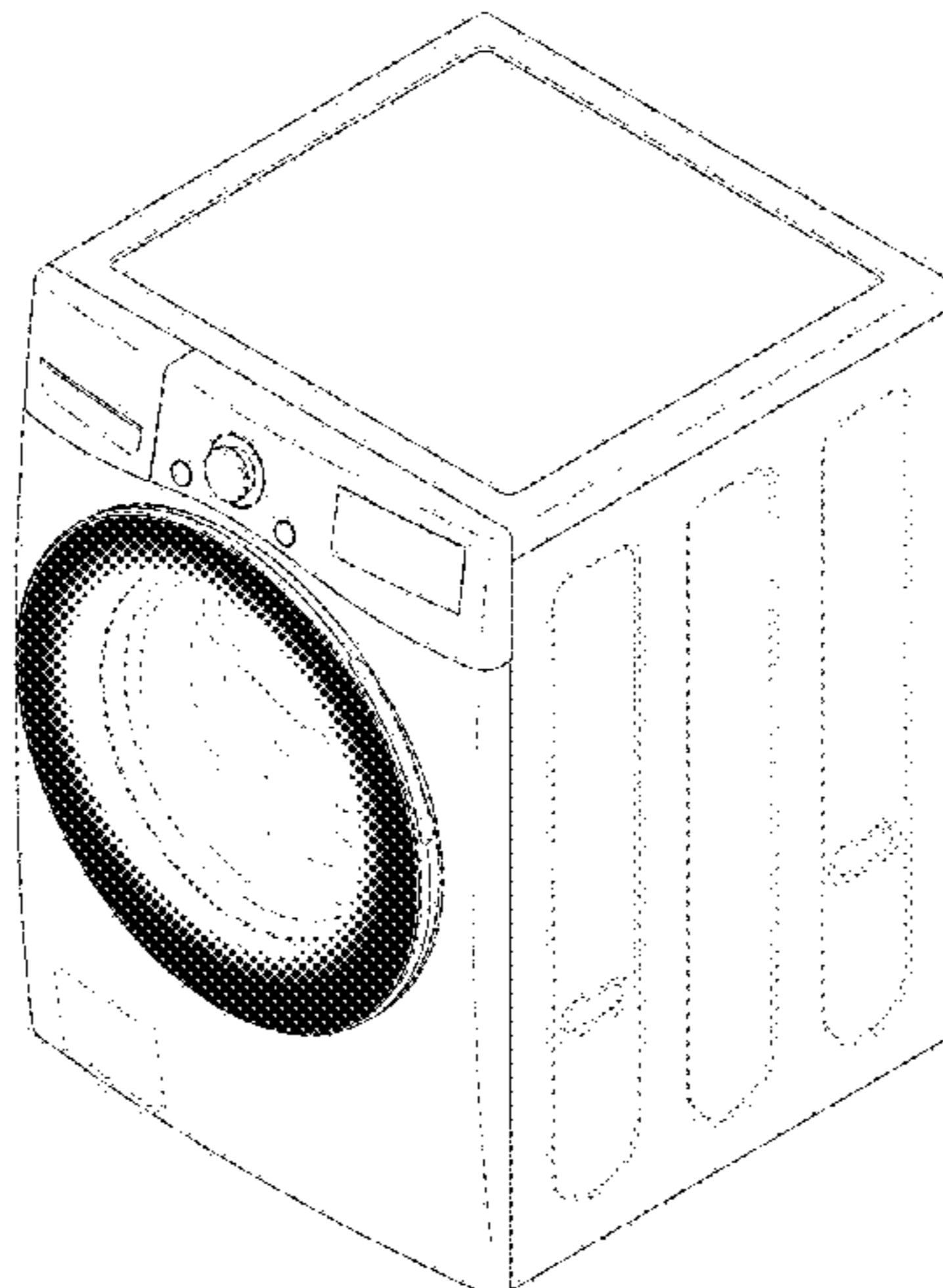
1.5 : Right

1.6 : Top

1.7 : Bottom

The gradient pattern is printed on the border of the door for the washing machine; the window glass of the door for washing machines is transparent material; the broken lines indicate portions of the article that form no part of the claimed design.

1 Claim, 7 Drawing Sheets



(56)

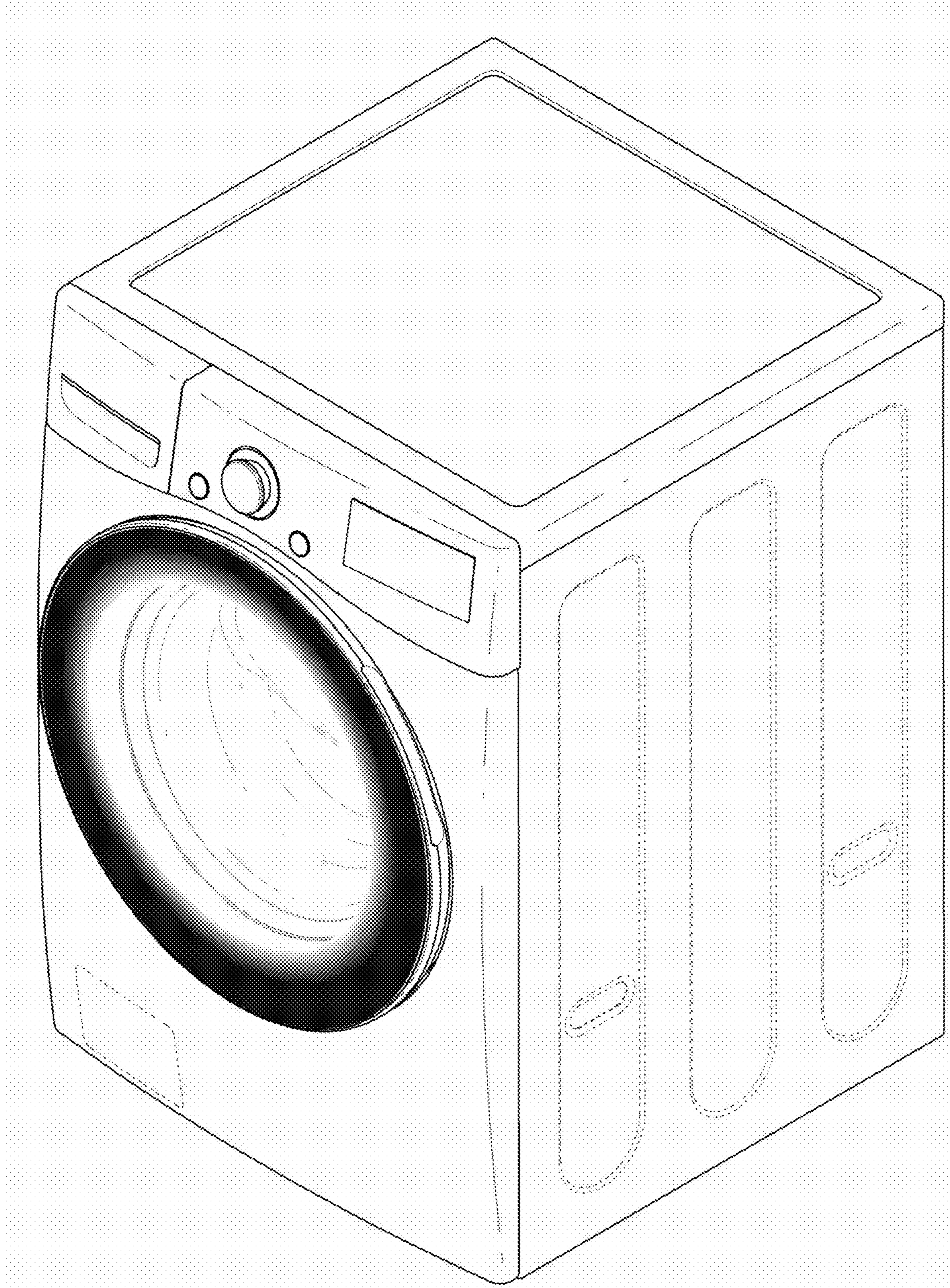
References Cited

U.S. PATENT DOCUMENTS

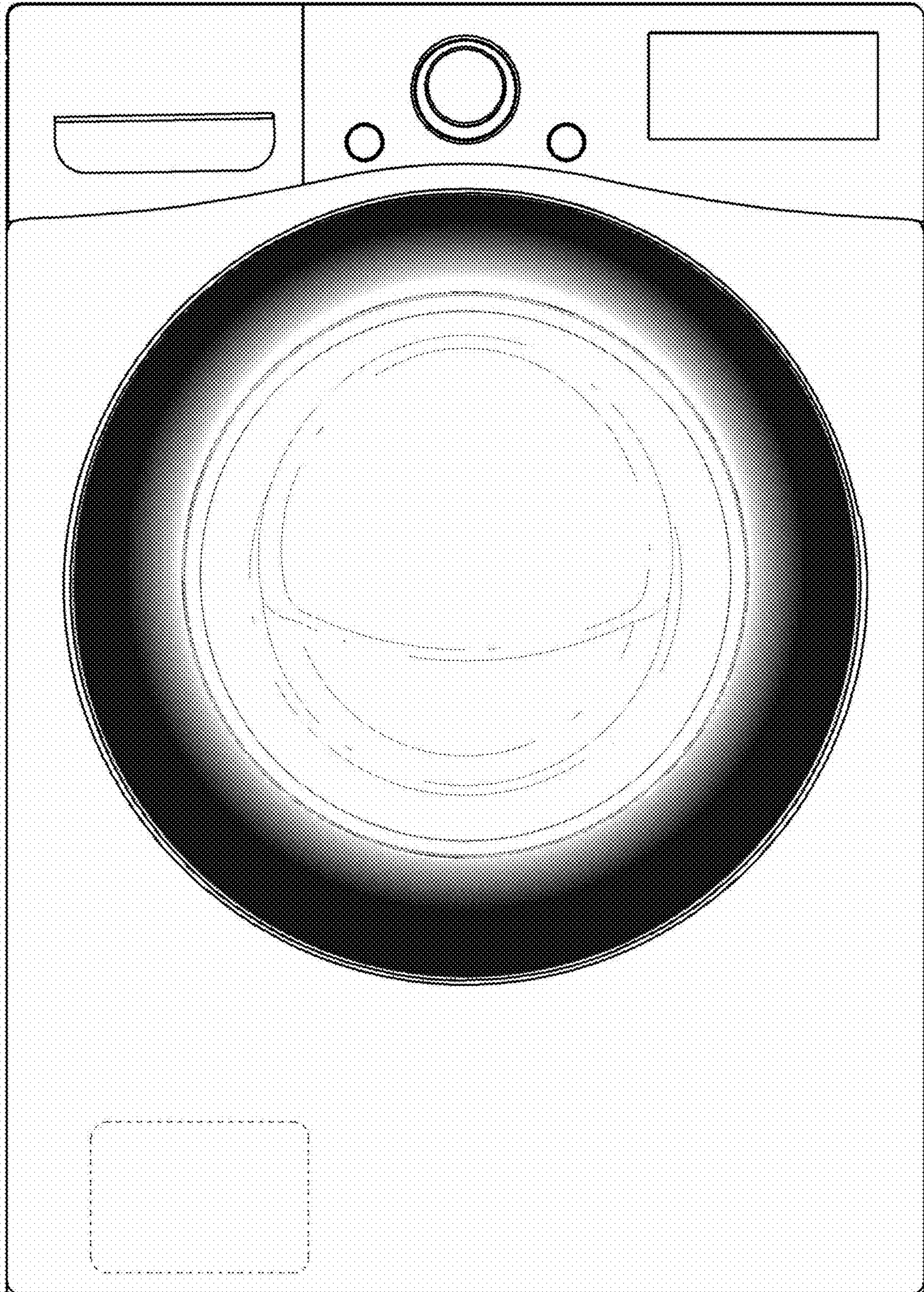
D559,480	S	*	1/2008	Kwon	D32/6
D565,809	S	*	4/2008	Eicher	D32/6
D577,870	S	*	9/2008	Kim	D32/6
D579,610	S	*	10/2008	Jeon	D32/6
D697,678	S	*	1/2014	Jeon	D32/6
D869,792	S	*	12/2019	Lee	D32/6

* cited by examiner

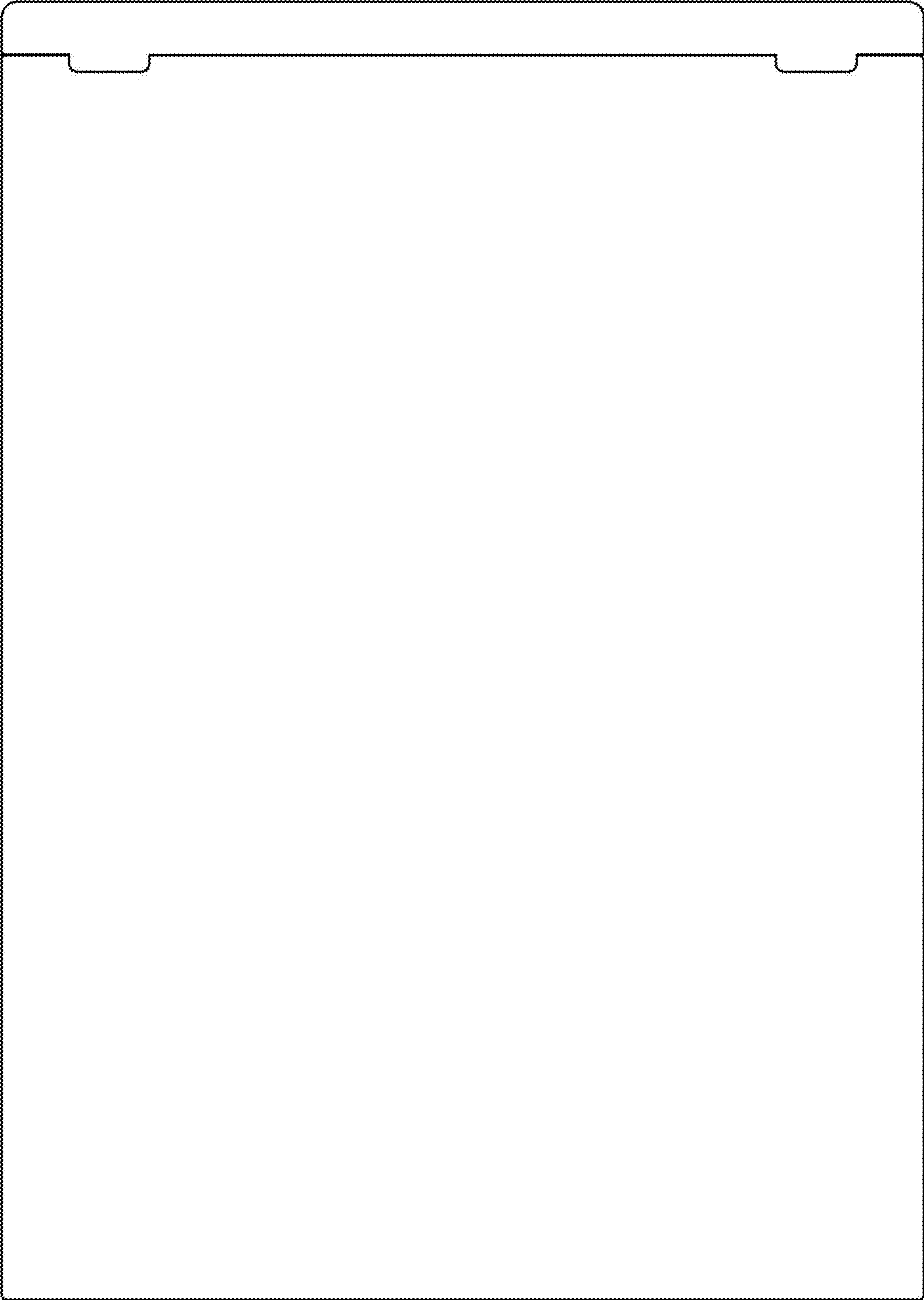
1.1



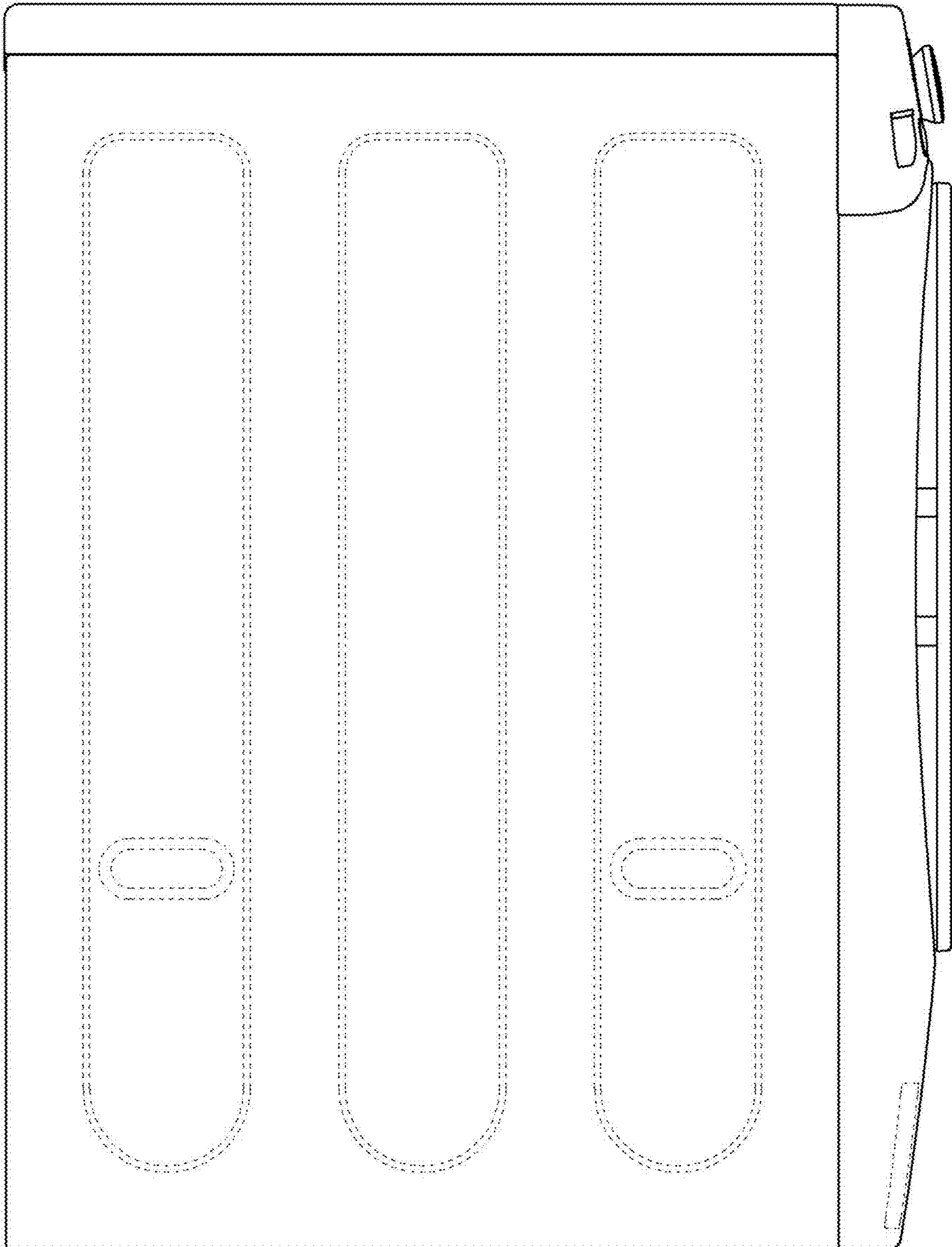
1.2



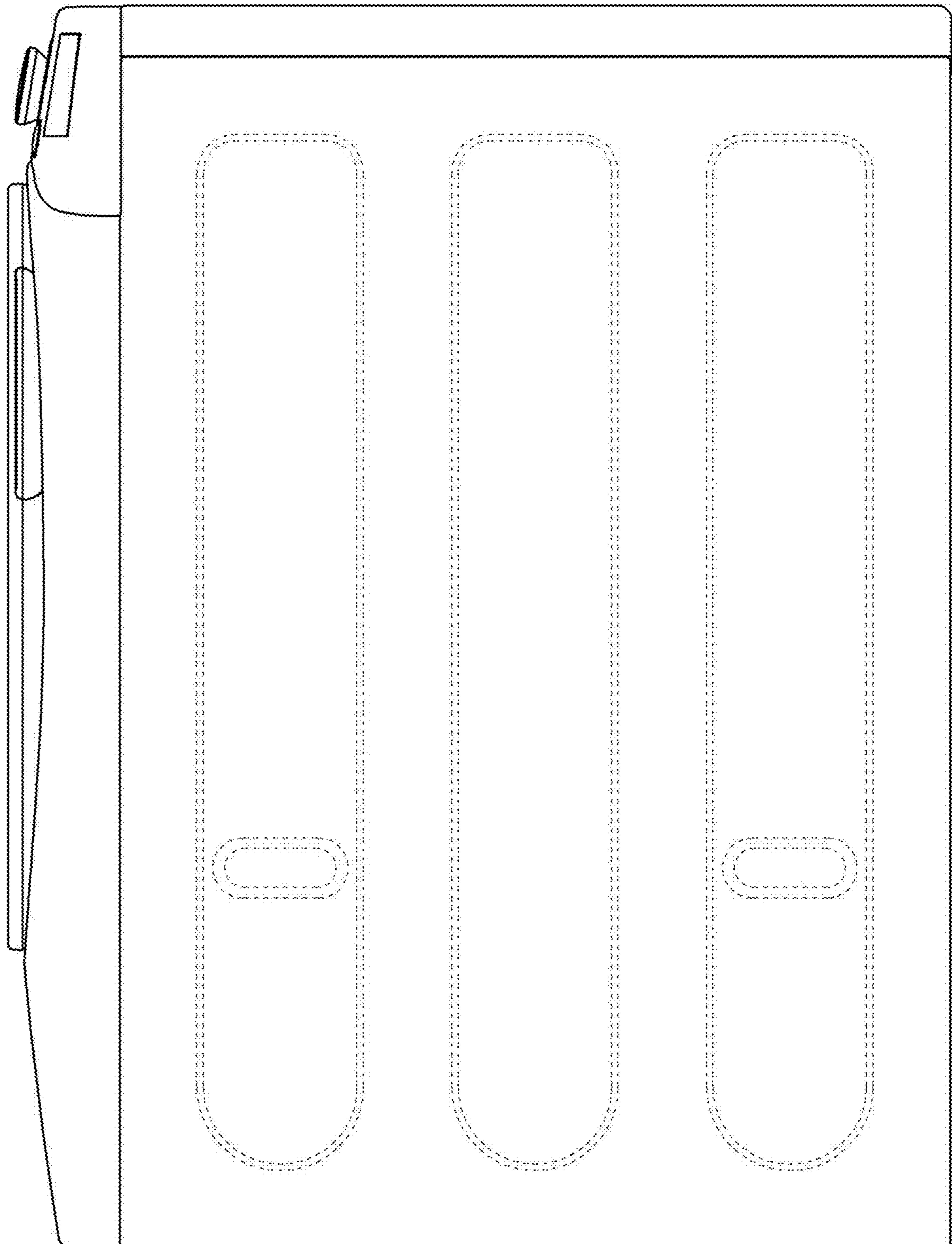
1.3



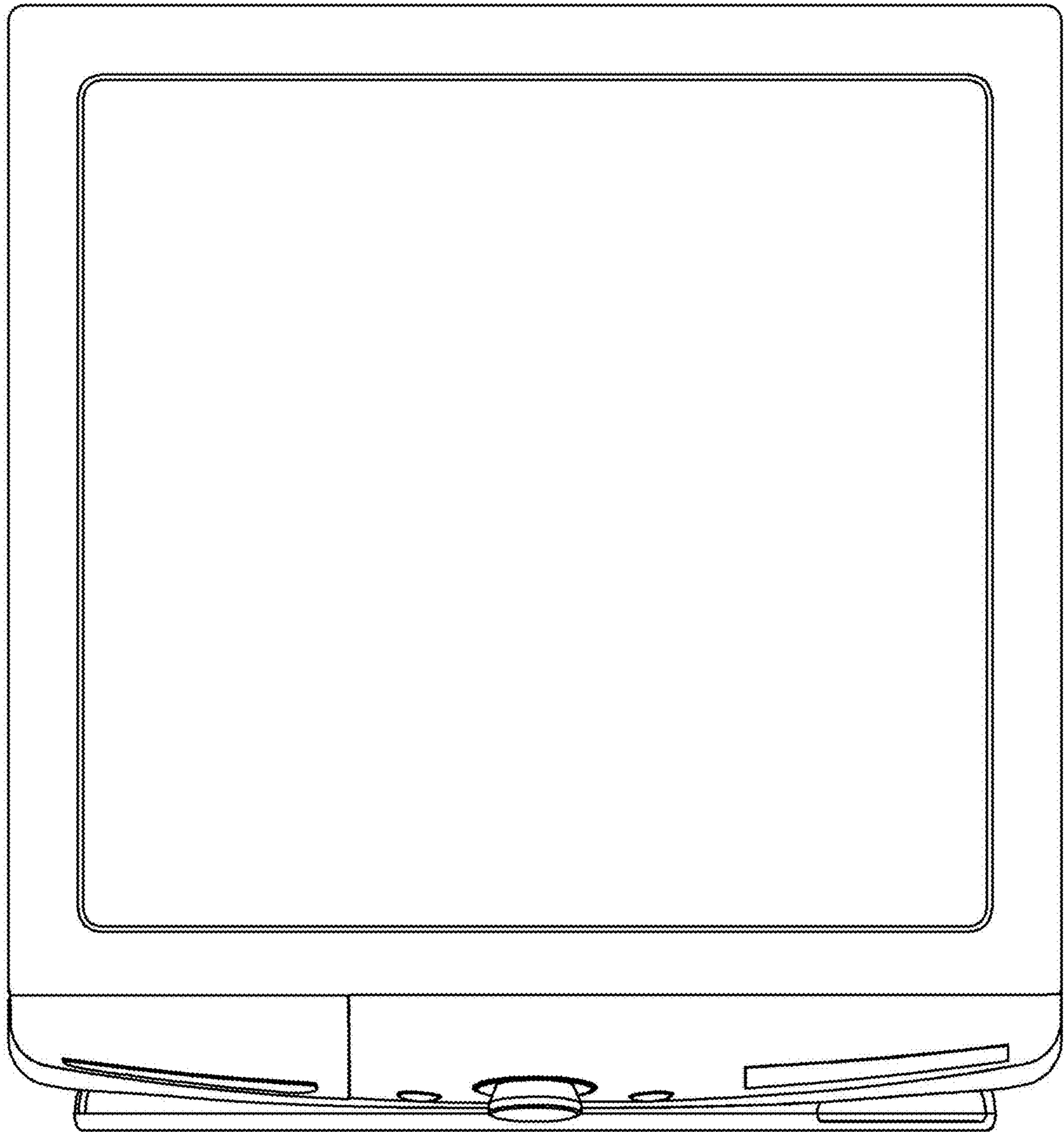
1.4



1.5



1.6



1.7

