



US00D919905S

(12) **United States Design Patent** (10) **Patent No.:** **US D919,905 S**
Wang (45) **Date of Patent:** **** May 18, 2021**

(54) **DOG TRAINING DEVICE**

(71) Applicant: **ShanShan Wang**, Huarong (CN)

(72) Inventor: **ShanShan Wang**, Huarong (CN)

(**) Term: **15 Years**

(21) Appl. No.: **29/758,707**

(22) Filed: **Nov. 18, 2020**

(51) **LOC (13) Cl.** **30-99**

(52) **U.S. Cl.**
USPC **D30/199**; D10/104.1

(58) **Field of Classification Search**
USPC D30/151-155, 144, 199, 160;
119/792-798, 850, 855-859, 863-865,
119/654, 905, 907, 815, 712, 802, 784,
119/769, 760, 776, 862, 908, 860,
119/719-721; 242/381.1-381.2, 385.4,
242/378.3, 376.1, 385.1, 916, 601, 570,
242/405, 404, 371, 223, 170, 388.1,
242/405.2, 377, 381.3, 381.6, 405.3,
242/388.6, 384.7, 382, 396.1, 404.1, 380;
362/108; 33/767, 769, 414; D12/400;
D3/229, 230, 207, 208, 215; 40/1.5, 455,
40/640, 303; 206/63.3, 459.5, 702, 408;
D6/515; D8/358, 360, 347, 360.1, 359,
D8/356, DIG. 1; D24/145, 167, 186, 146,
D24/169; D10/57, 72, 106.1, 104.1,
D10/104.2, 109.2, 70, 97, 98, 78, 65;
D20/28; 224/666, 678; 16/445; 283/74,
283/70; D11/232, 200, 216, 1, 2, 86, 87,
D11/201, 206-210, 212-215, 218;
24/163 K, 122.3, 323, 702, 600.4-600.7,
24/163 R, 169-171, 173, 177-179, 191,
24/194, 195, 197, 200, 303, 616, 635,
24/313, 615, 3, 6, 3 K, 599.2, 96, 221,
24/237, 311, 312, 314, 321, 338, 339,
24/309; 428/3, 4; 54/76, 1, 71; 63/29.1,
63/3; 191/12.2 R, 12.4; D13/154, 153,
D13/137.4, 155, 103, 168; D19/69, 67;

379/438; 446/26; 473/576; D22/140;
174/135; 439/504, 13, 501; D34/33;
188/83, 82.1, 65.1; 254/134.3 FT;
D29/124; D2/627, 624, 633, 625;
132/145, 146, 148; 2/314; 59/79.1;
340/573.3, 573.1, 573, 573.4,
340/539.13-539.19; 343/895;
(Continued)

(56) **References Cited**

U.S. PATENT DOCUMENTS

D445,706 S * 7/2001 Myers D10/104.1
D446,144 S * 8/2001 Christensen D10/104.1
(Continued)

Primary Examiner — Susan Moon Lee

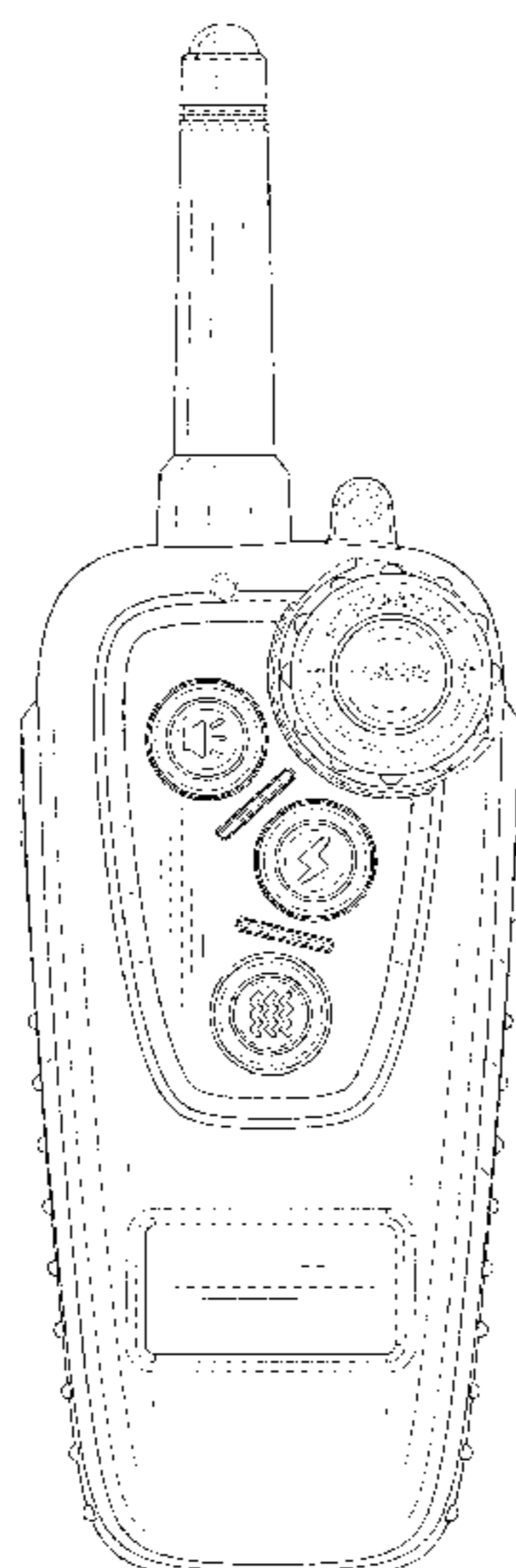
(57) **CLAIM**

The ornamental design for a dog training device, as shown and described.

DESCRIPTION

FIG. 1 is a first perspective view of a dog training device showing my new design;
FIG. 2 is a second perspective view thereof;
FIG. 3 is a front view thereof;
FIG. 4 is a back view thereof;
FIG. 5 is a left side view thereof;
FIG. 6 is a right side view thereof;
FIG. 7 is a top view thereof;
FIG. 8 is a bottom view thereof;
FIG. 9 is an enlarged view of the selected portion in FIG. 1;
FIG. 10 is an enlarged view of the selected portion in FIG. 1; and,
FIG. 11 is an enlarged view of the selected portion in FIG. 1.
The broken lines shown in the drawings depict portions of the dog training device in which the design is embodied that form no part of the claimed design.

1 Claim, 11 Drawing Sheets



US D919,905 S

Page 2

(58) **Field of Classification Search**

USPC 278/8 AES; 231/7; 361/232; D14/344,
D14/341, 137, 155, 496, 203.5, 203.3,
D14/144, 218, 188, 216, 192;
342/357.51, 357.57, 357.52, 357.55;
455/100, 352, 456.1, 550.1; 315/291
CPC A01K 15/021; A01K 15/02; A01K 15/022;
A01K 15/023; A01K 15/029; A01K
15/04; A01K 15/00; A01K 15/006; A01K
12/022; A01K 27/009; A01K 27/00;
A01K 27/001; A01K 27/006-008; A01K
29/005; A01K 29/00; A61B 5/0002-0028;
A61B 5/681; A61B 5/6822; A61B
5/6824; A61B 5/6829; G01S 5/0294

See application file for complete search history.

(56)

References Cited

U.S. PATENT DOCUMENTS

D462,916 S * 9/2002 Fleetwood D10/104.1

D482,630 S * 11/2003 So D30/199
D487,026 S * 2/2004 Fleetwood D10/104.1
D545,790 S * 7/2007 Jameson D10/104.1
D576,128 S * 9/2008 Tran D14/137
D685,757 S * 7/2013 Liu D14/155
D771,327 S * 11/2016 Hu D30/199
D835,860 S 12/2018 Li
D835,861 S 12/2018 Li
D879,390 S * 3/2020 Cai D30/199
D881,486 S * 4/2020 Li D30/199
D890,456 S 7/2020 Dai
D897,057 S * 9/2020 Jia D30/199
D899,016 S * 10/2020 Jia D30/199
D904,214 S * 12/2020 Zinn D10/104.1
2002/0092478 A1 * 7/2002 Duncan A01K 15/021
119/720
2014/0261233 A1 * 9/2014 So A01K 27/009
119/720
2017/0208775 A1 * 7/2017 Van Curen A01K 15/021
2020/0015456 A1 * 1/2020 Van Curen A01K 27/009

* cited by examiner

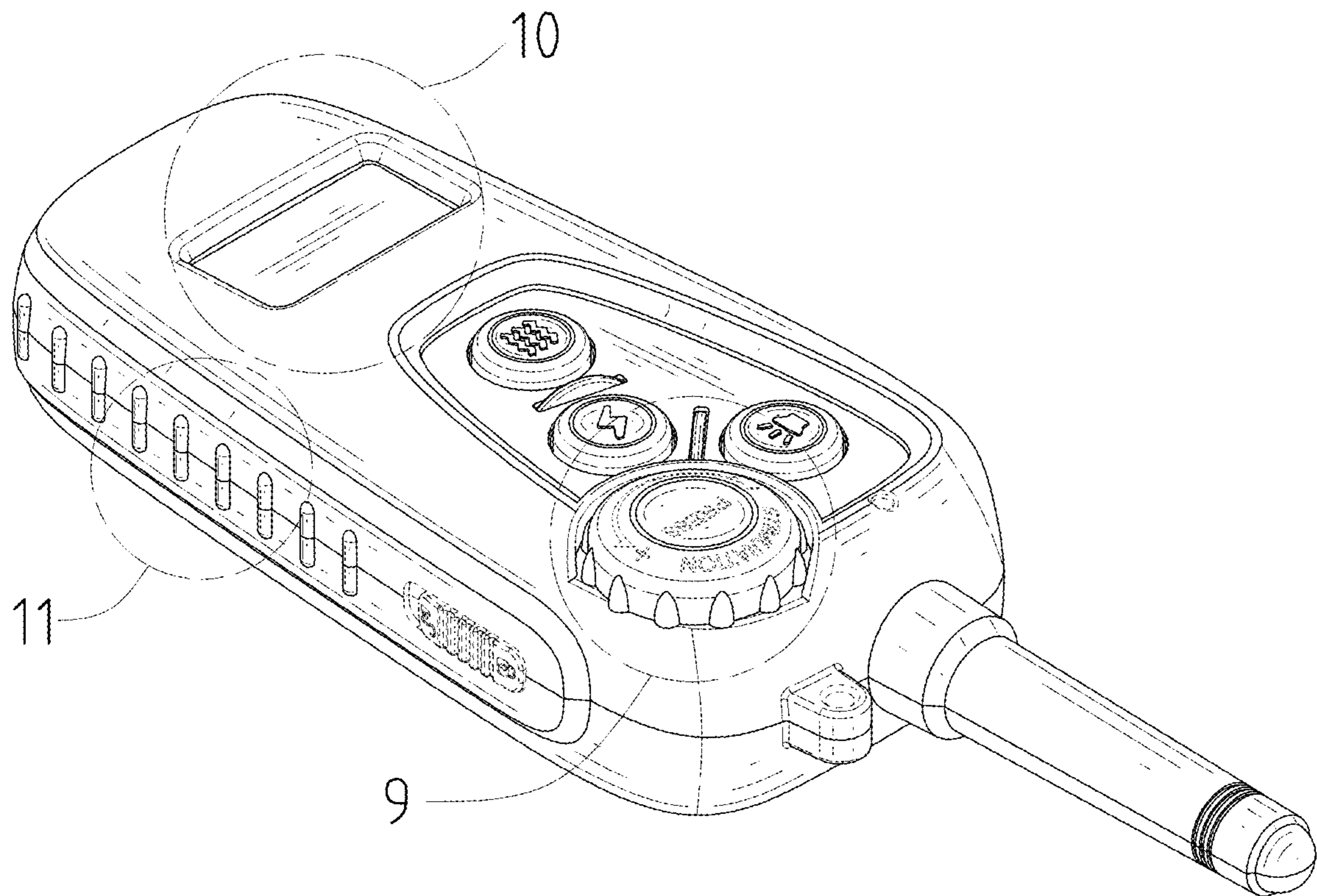


FIG. 1

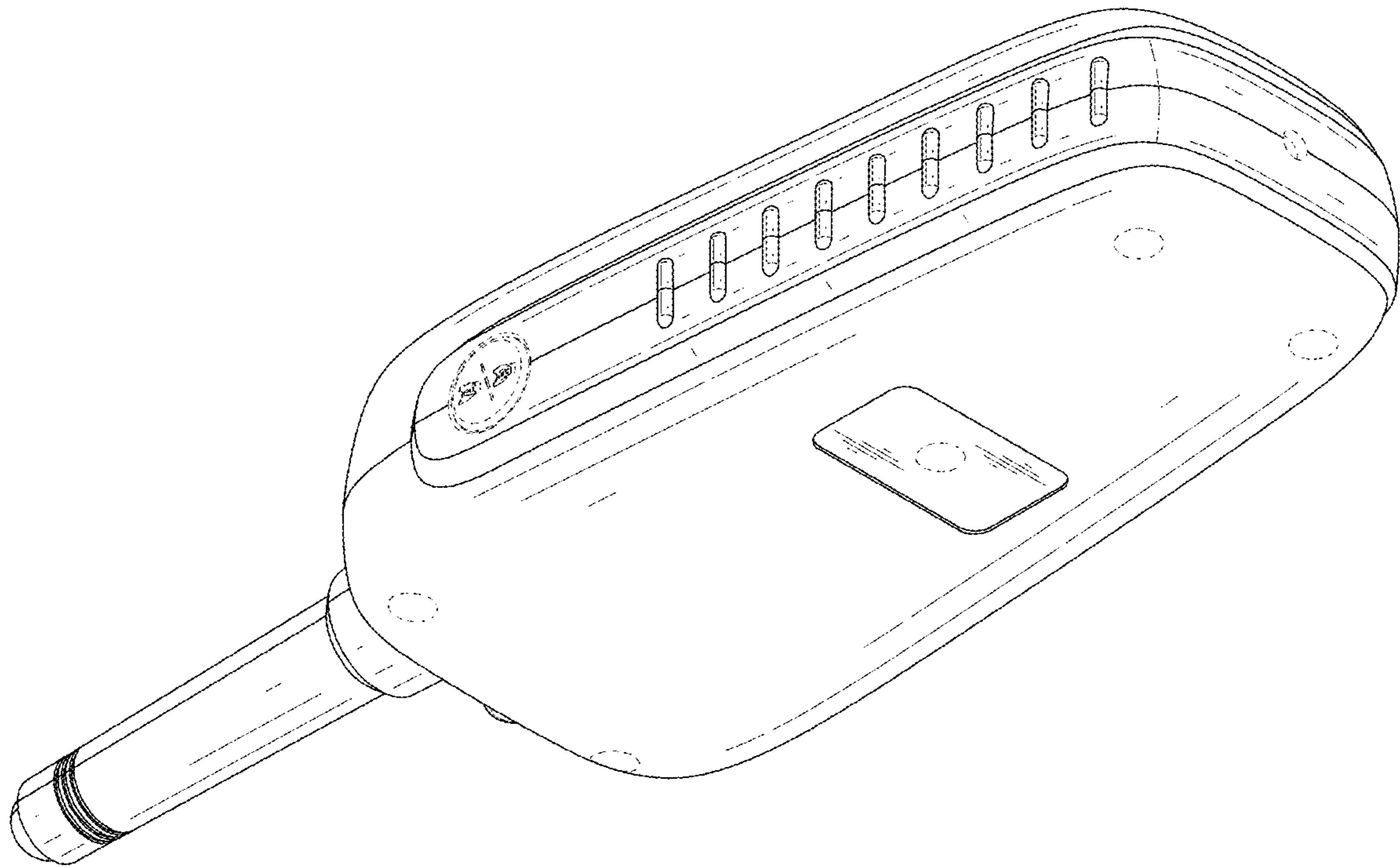


FIG. 2

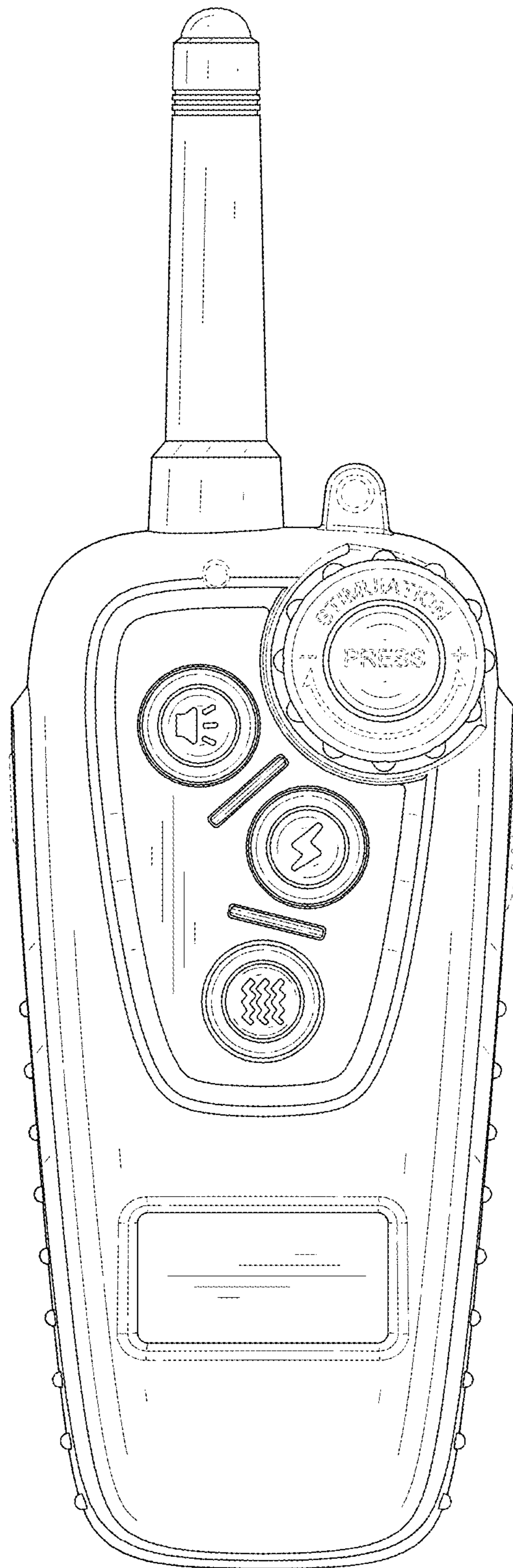


FIG. 3

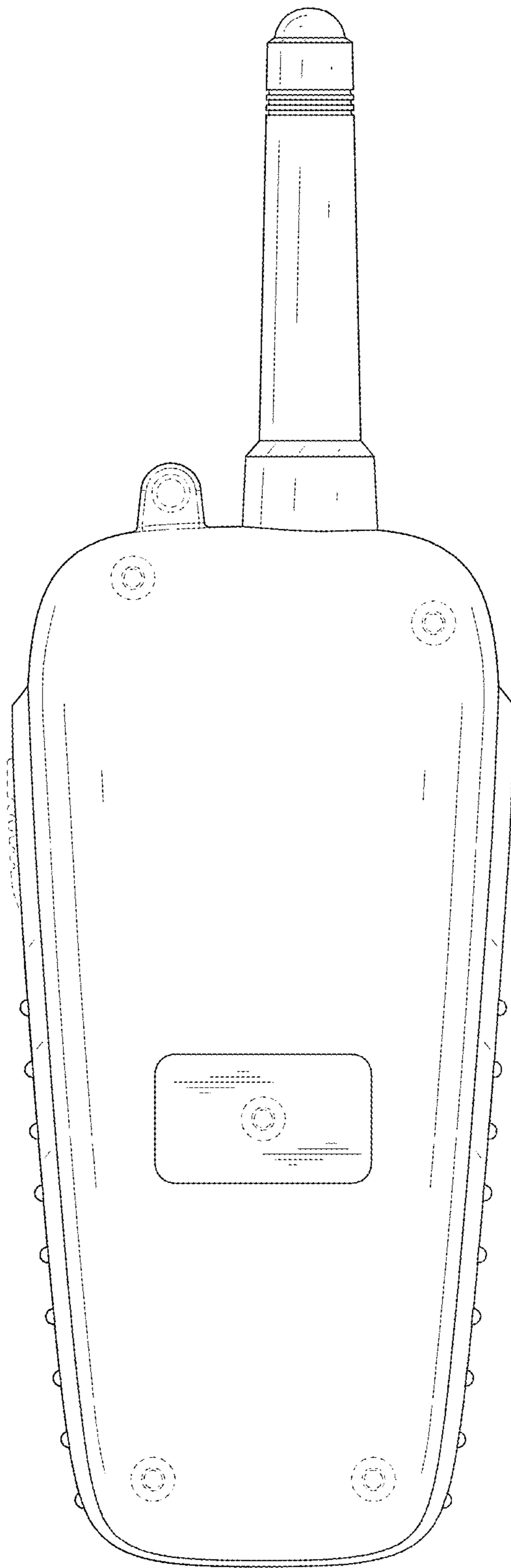


FIG. 4

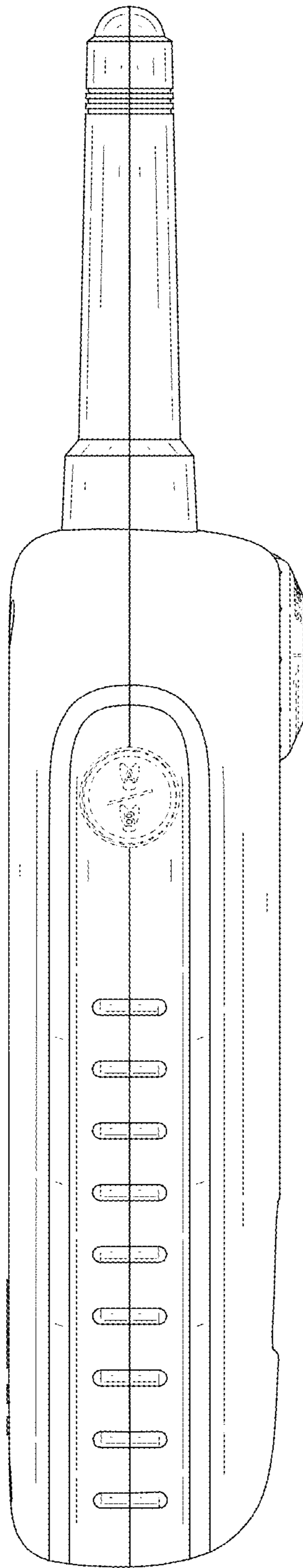


FIG. 5

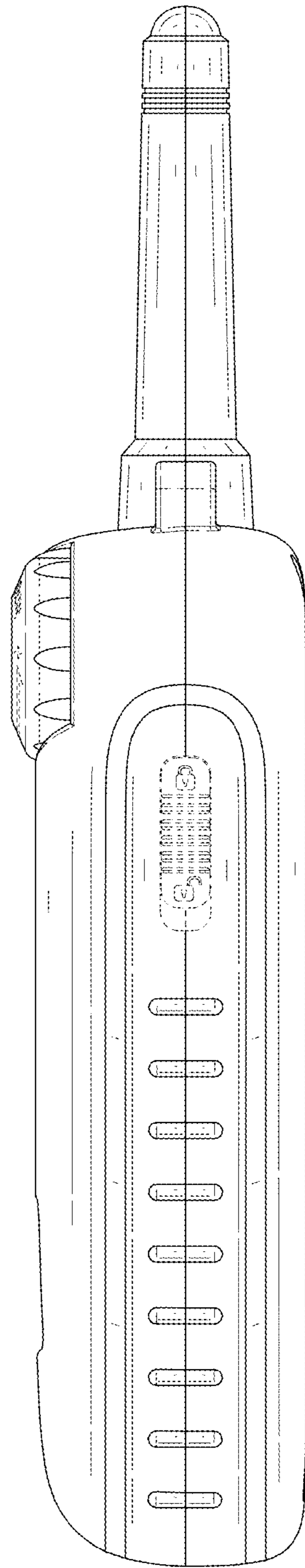


FIG. 6

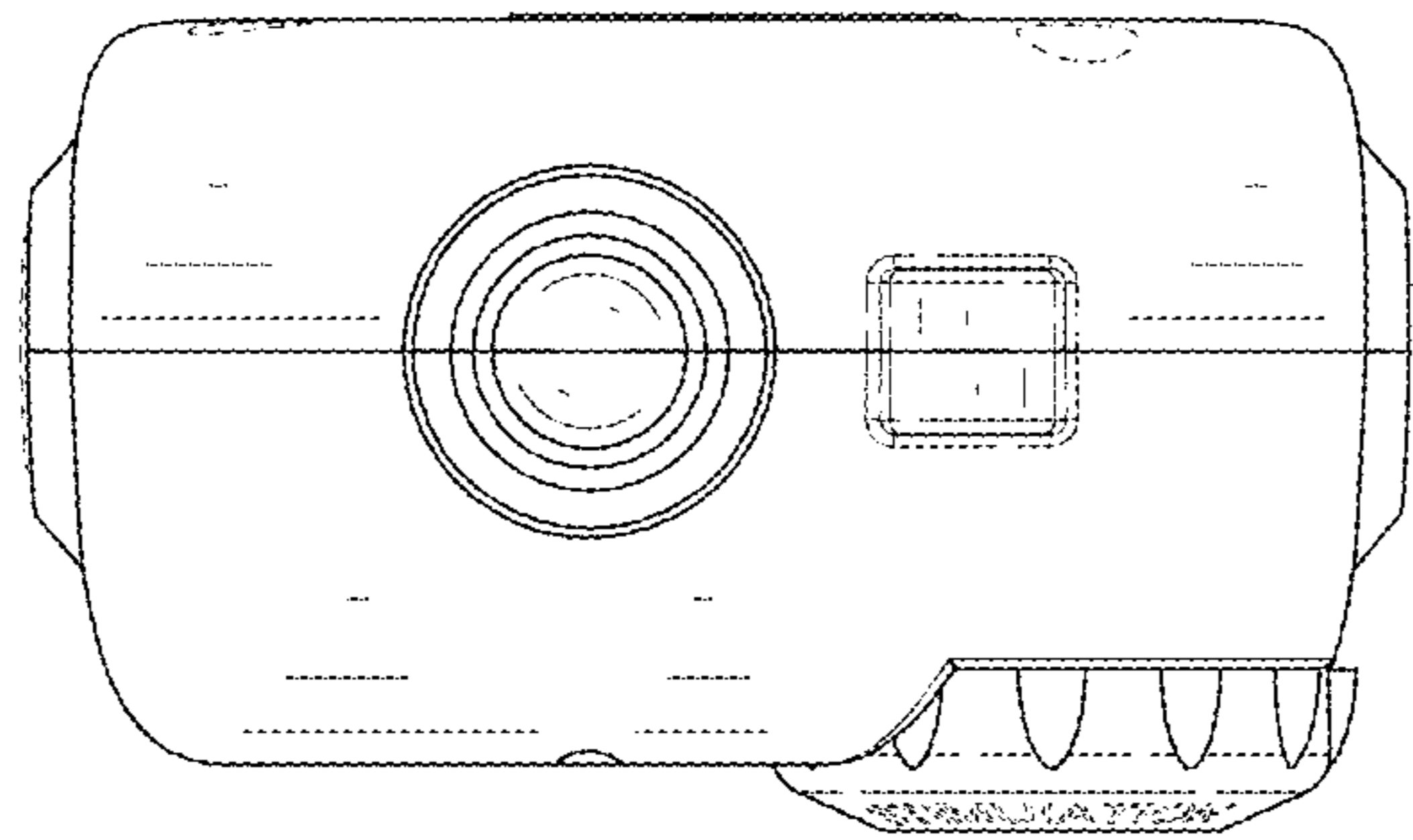


FIG. 7

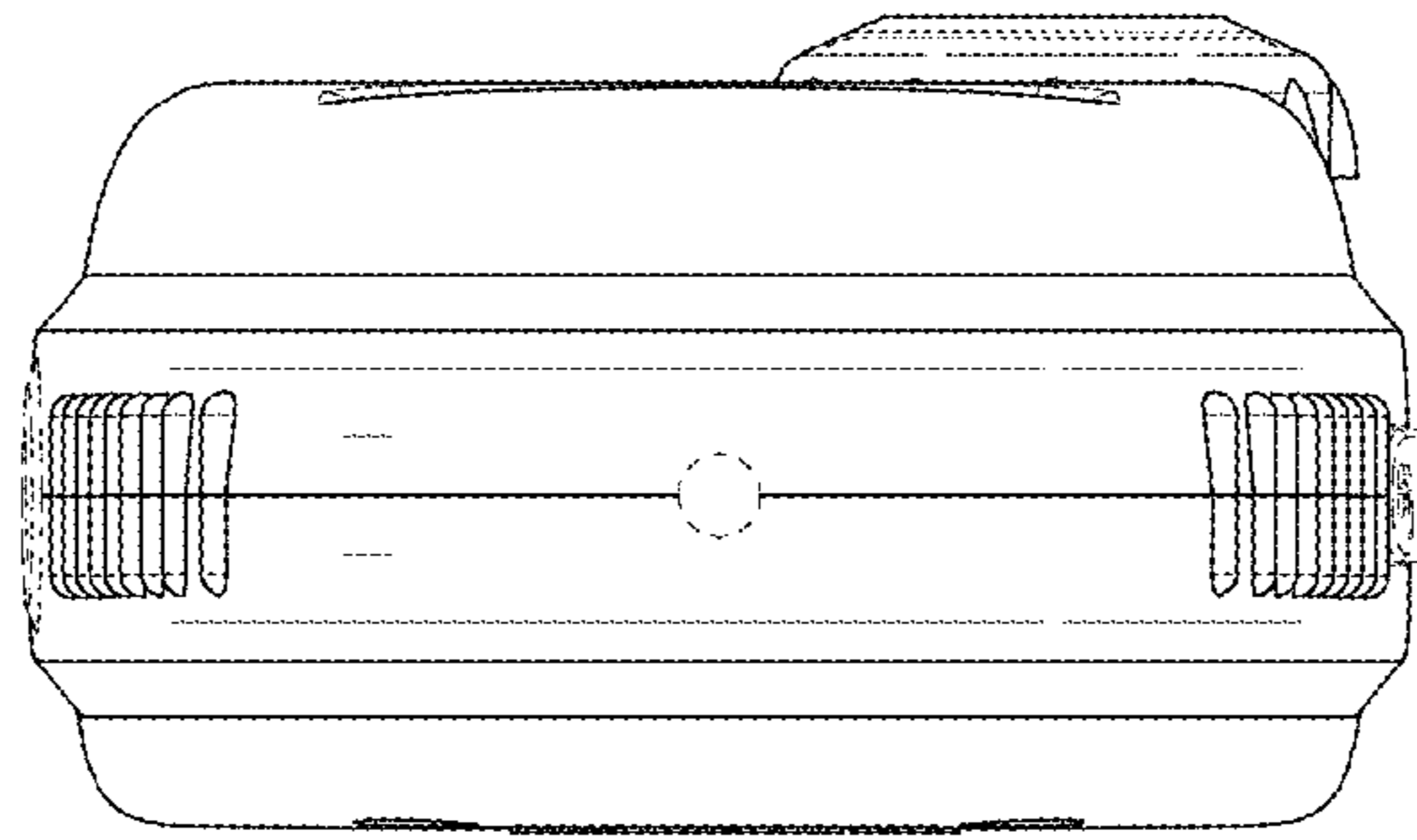


FIG. 8

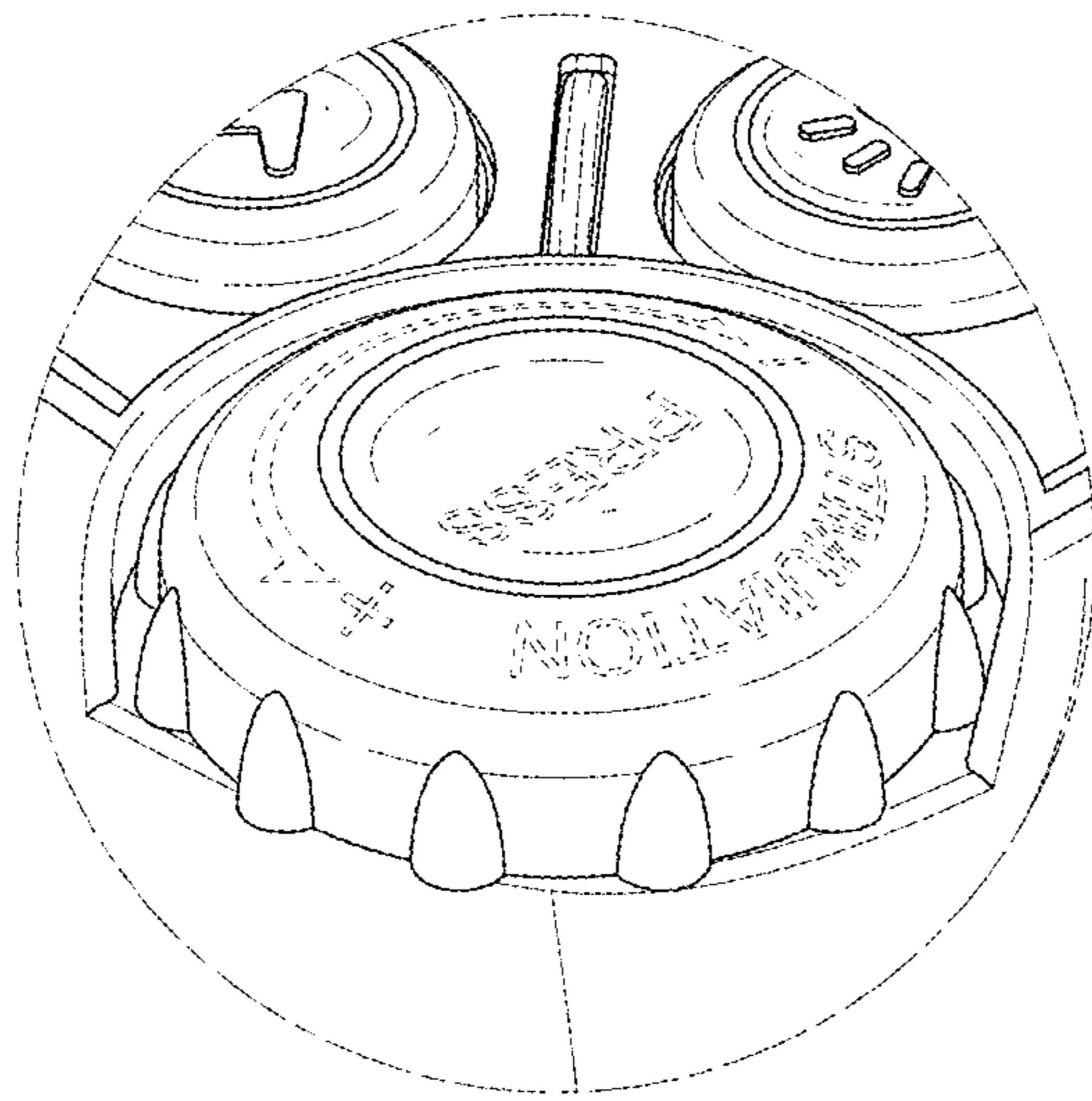


FIG. 9

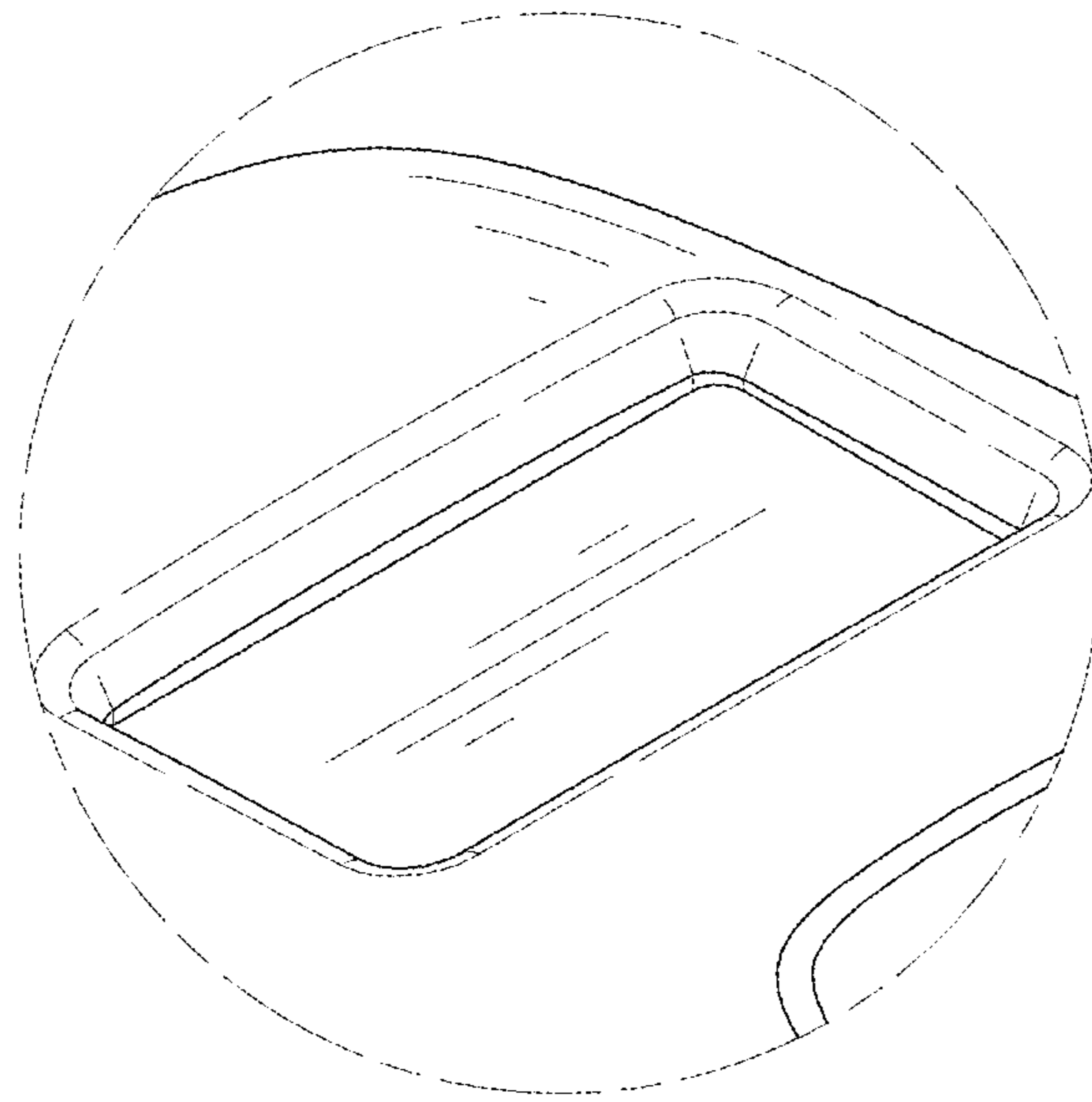


FIG. 10

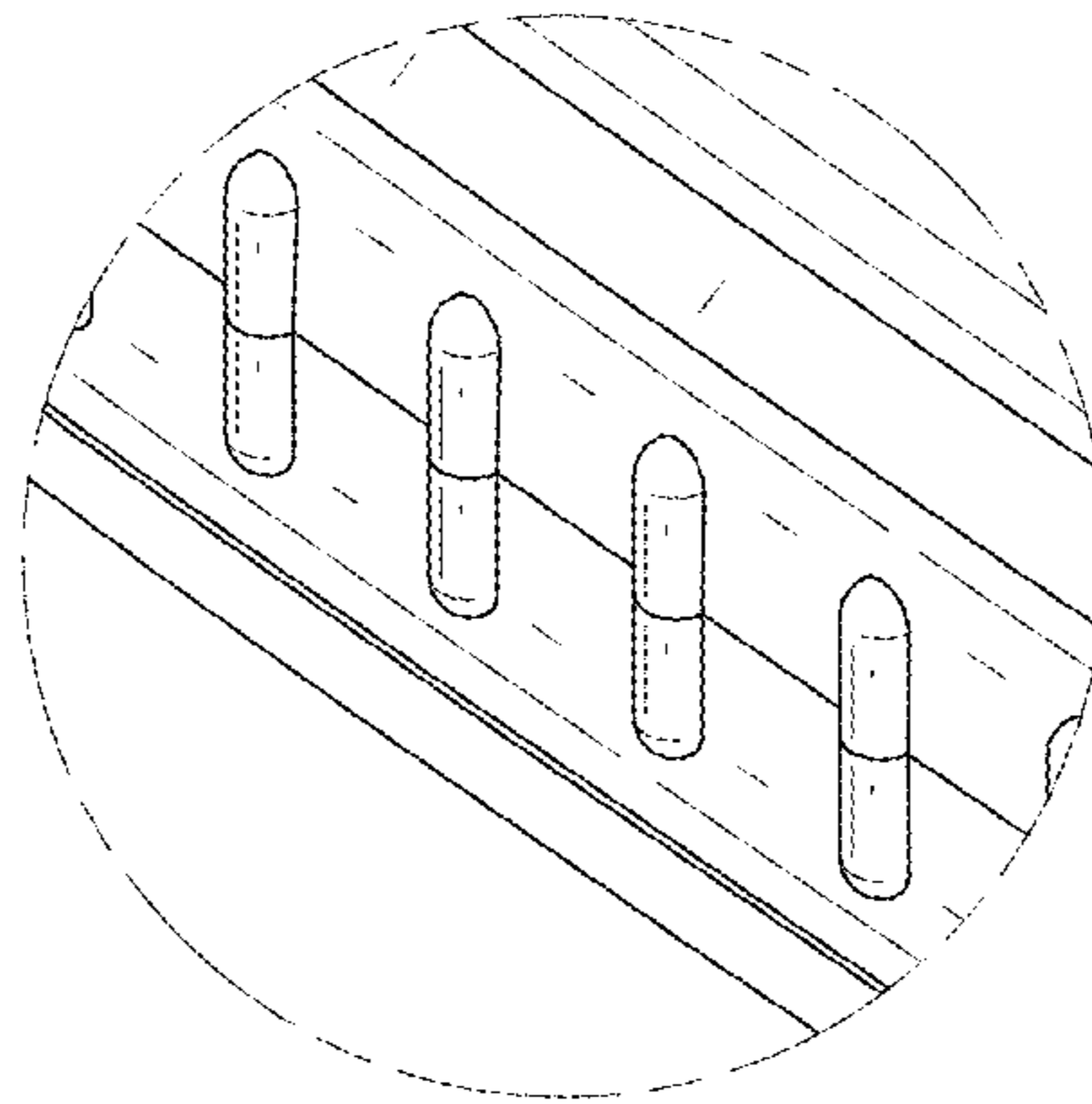


FIG. 11