



US00D919904S

(12) **United States Design Patent**
Pollack

(10) **Patent No.:** **US D919,904 S**

(45) **Date of Patent:** **** May 18, 2021**

(54) **PET STEP**

(71) Applicant: **Judith S. Pollack**, Knoxville, TN (US)

(72) Inventor: **Judith S. Pollack**, Knoxville, TN (US)

(**) Term: **15 Years**

(21) Appl. No.: **29/664,424**

(22) Filed: **Sep. 25, 2018**

(51) **LOC (13) Cl.** **30-03**

(52) **U.S. Cl.**
USPC **D30/199**

(58) **Field of Classification Search**

USPC D30/199, 119, 160, 108, 118, 158, 161;
119/843, 849, 847, 706-711, 28.5, 165,
119/702, 485, 498; D25/63, 65, 62;
182/1, 20, 200, 33, 107, 230, 129, 106,
182/93, 95, 115, 113, 151, 35, 46, 222;
248/188.2; 52/182, 184, 188, 190;
114/362; 14/71.1, 69.5; 193/2 R, 33;
D6/349-355, 335, 684, 406.6, 406.5, 535,
D6/690, 691, 691.1-691.4, 691.8, 687,
D6/686; D12/203; 280/166; 296/156;
105/443, 447, 448; 297/118; 4/254, 483,
4/485, 574.1, 578.1, 902, 572.1, 571.1;
D23/296, 299, 309, 311; D21/686, 687,
D21/690, 695, 671, 685, 521, 522;
482/52, 142, 143; 473/476; D14/451,
D14/447; D7/619.1, 698, 552.2, 554.3,
D7/550.1; D8/374

CPC A01K 1/035; E04F 11/066; E04F 11/062;
E04F 11/06; E04F 11/04; E04F 11/022;
E04F 11/0223; E04F 11/0226; E04F
11/035; E04F 2011/0203-0209; E04F
2011/0218; E06C 1/383; E06C 1/3835;
E06C 1/387; E06C 1/00; E06C 1/005;
E06C 1/04; E06C 1/12; E06C 1/14; E06C
1/16; E06C 1/30; E06C 1/38; E06C
1/381; B60R 3/007; B60R 3/02; A47K
11/06; A47K 11/08; A47K 11/12; A47K

17/028; A61G 9/00; A63B 23/0458;
A47C 12/00; A47C 12/02; A47C 13/00;
A47C 13/005; A47C 16/02; A47C 16/04;
A47C 11/00; A47C 9/00; A47C 9/002;
A47C 9/02; A47C 9/025; A47C 9/027;
A47C 9/04; A47C 9/08; A47C 9/10

See application file for complete search history.

(56) **References Cited**

U.S. PATENT DOCUMENTS

6,964,246 B2 * 11/2005 Wolfington A01K 1/035
119/847
D589,630 S * 3/2009 Henson D25/65
7,922,624 B1 * 4/2011 Fairhurst A63B 71/0036
482/52
D896,622 S * 9/2020 Wendling D8/374
2004/0079297 A1 * 4/2004 Wolfington A01K 1/035
119/849
2020/0093099 A1 * 3/2020 Pollack A01K 29/00

* cited by examiner

Primary Examiner — Susan Moon Lee

(74) *Attorney, Agent, or Firm* — Jeffrey Joyce, Esq.

(57) **CLAIM**

The ornamental design for a pet step, as shown and described.

DESCRIPTION

FIG. 1 is a perspective view of the first embodiment of the pet step according to the invention, showing the front, top, and side of the pet step.

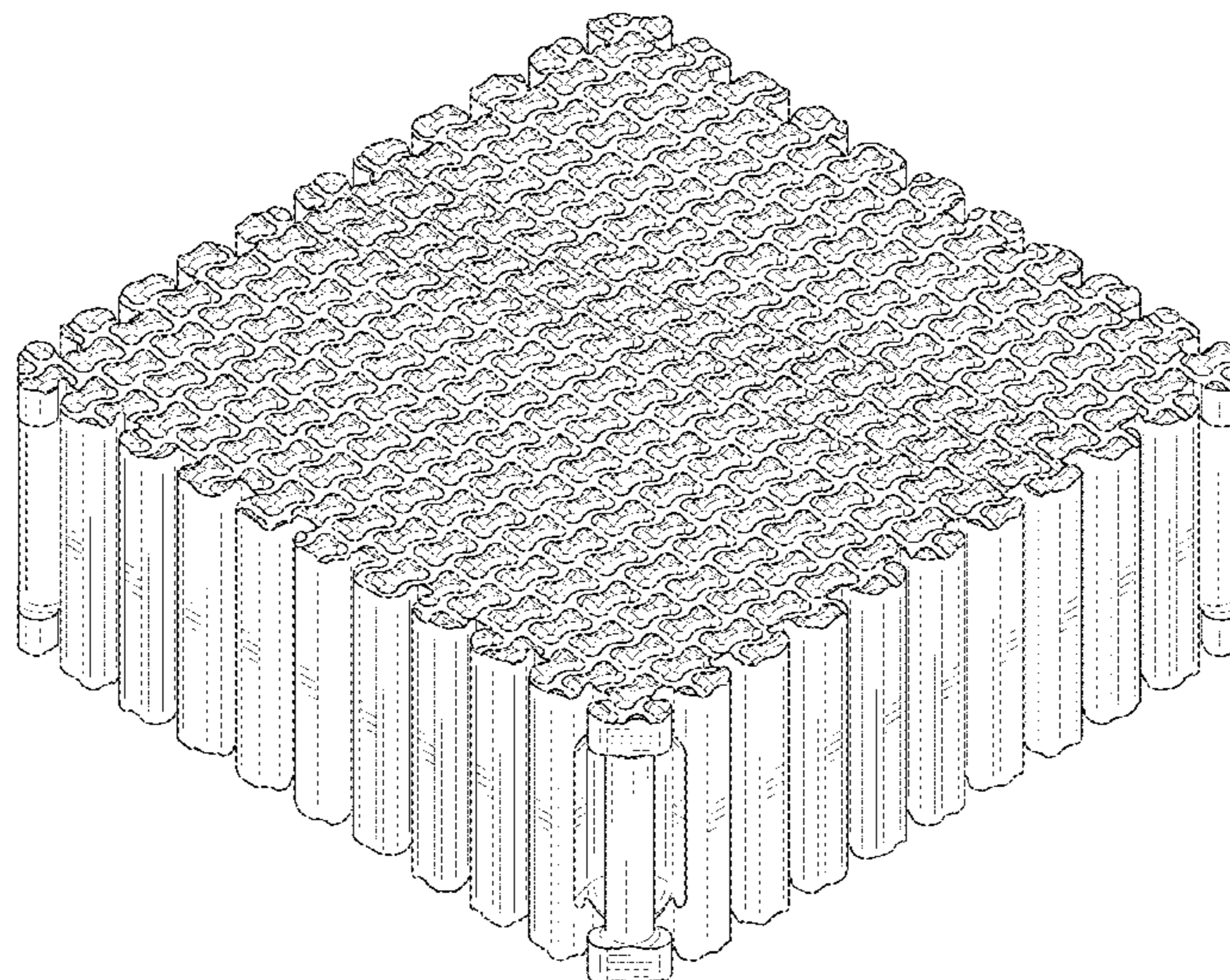
FIG. 2 is a front plan view of the pet step, the rear view, right side view and left side view being mirror images thereof.

FIG. 3 is a top plan view of the pet step, the bottom plan view being a mirror image thereof; and,

FIG. 4 is a cross-sectional top view of the first embodiment of the pet step.

The dotted lines form no part of the claimed design.

1 Claim, 3 Drawing Sheets



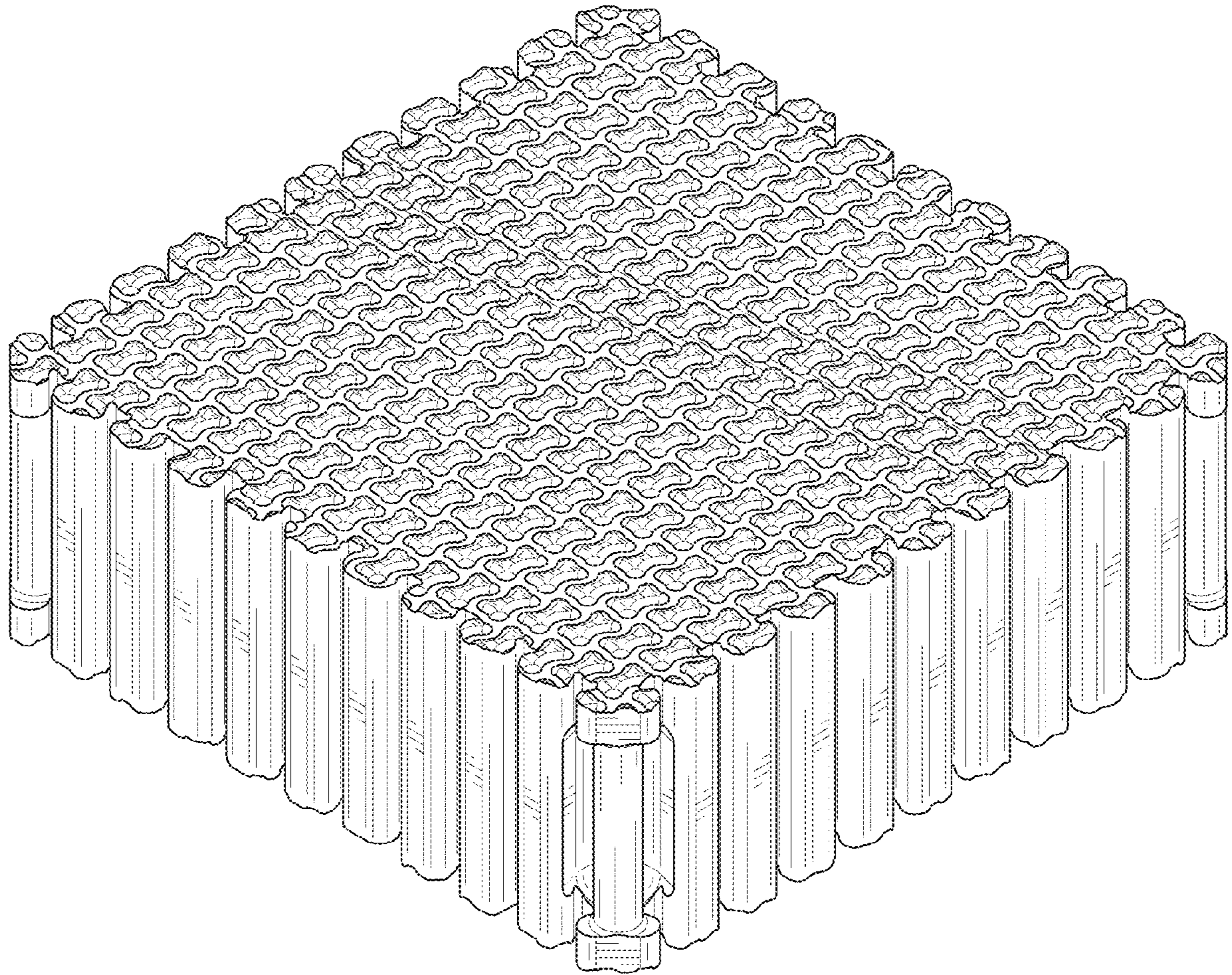


FIG. 1

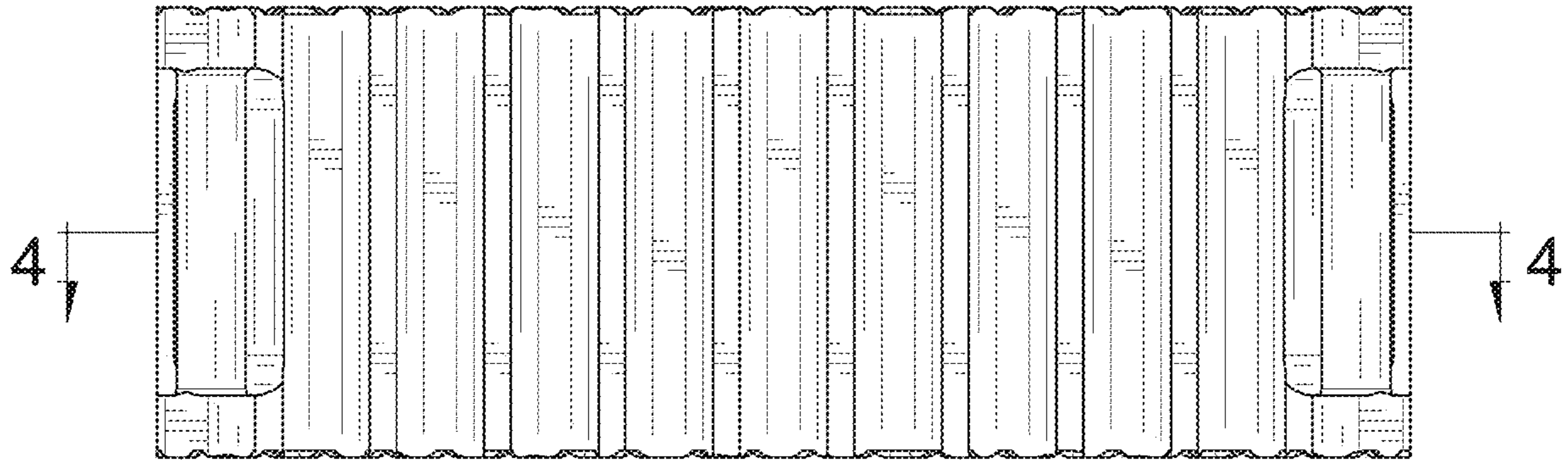


FIG. 2

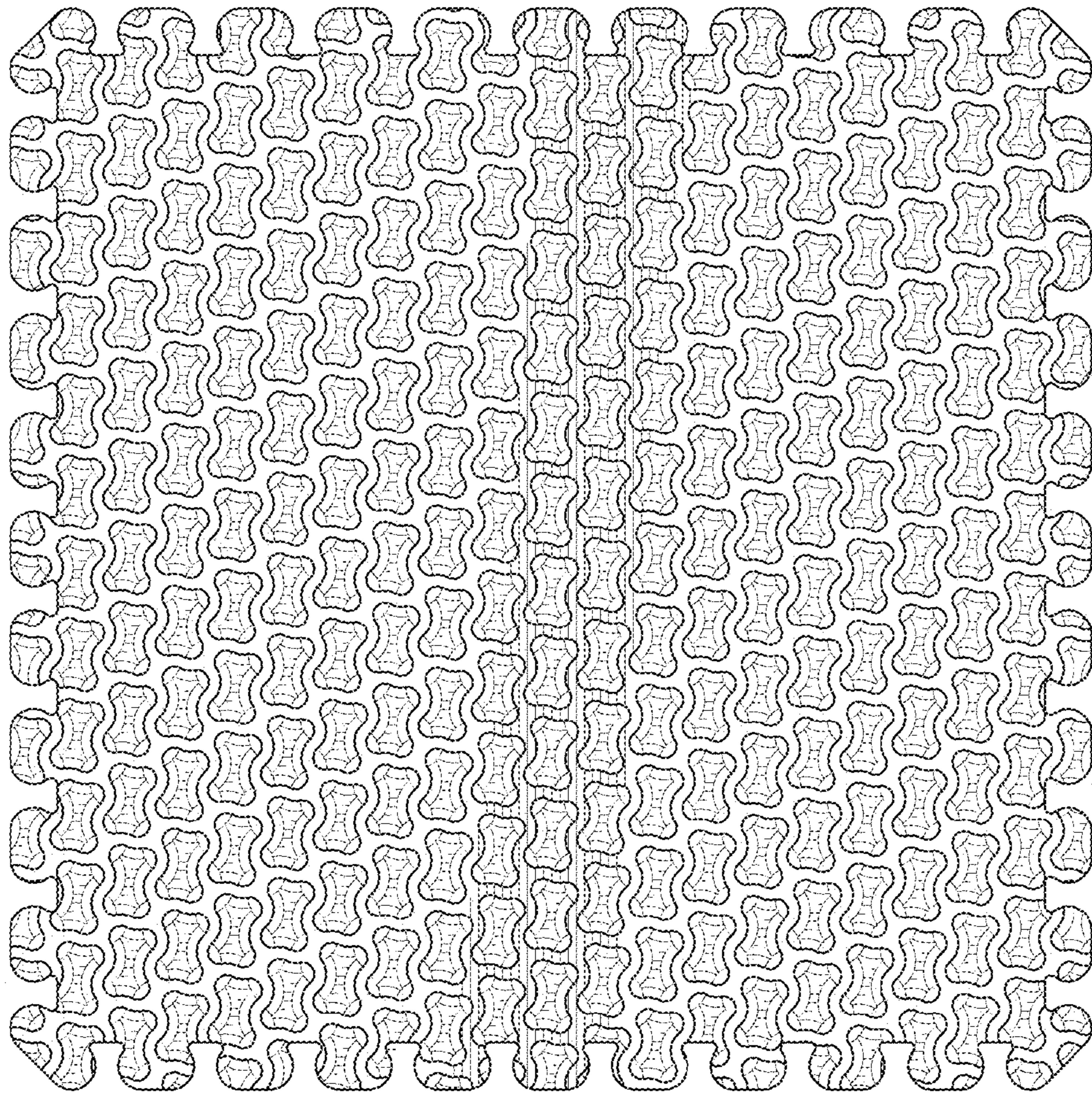


FIG. 3

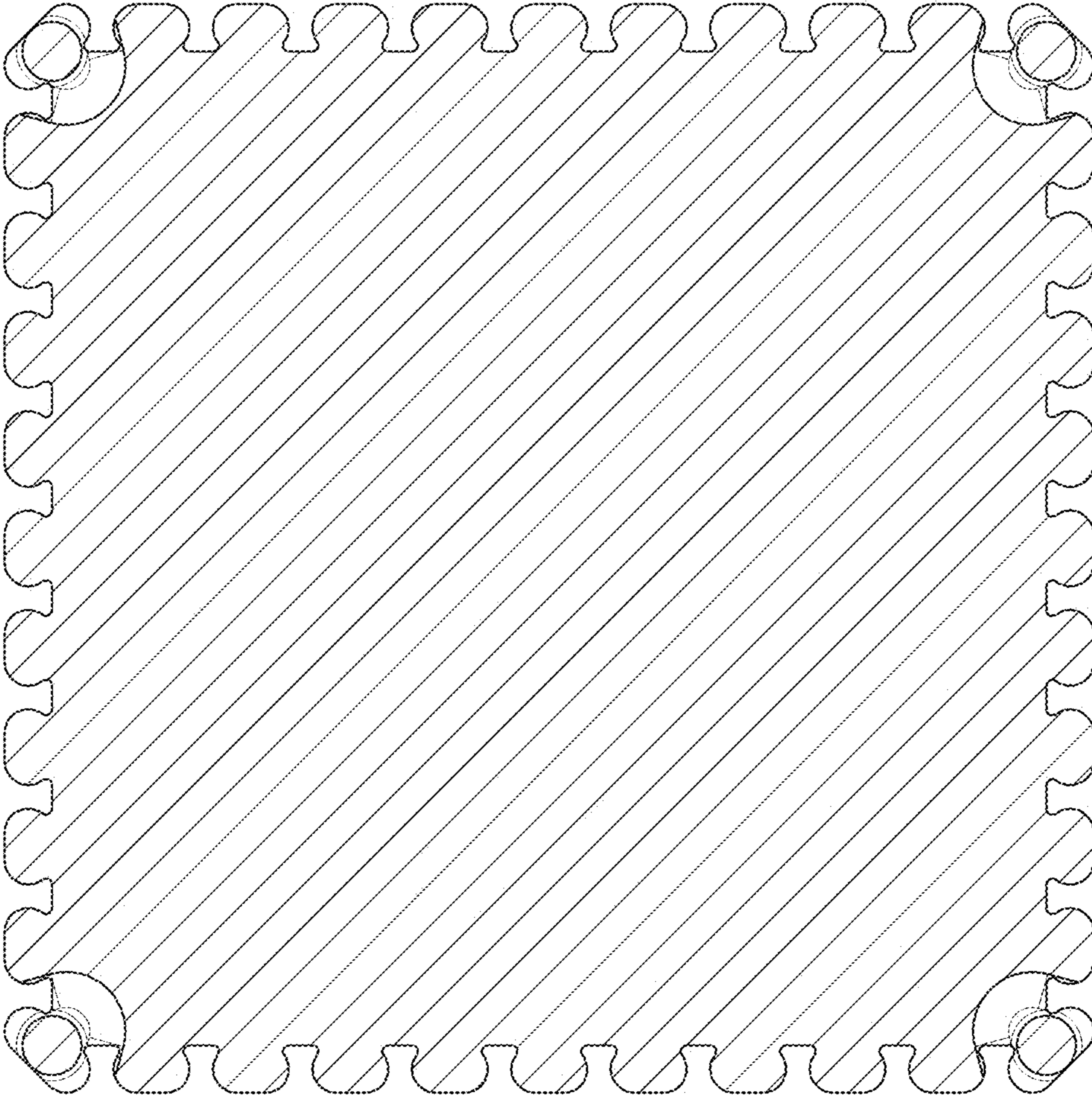


FIG. 4