



US00D919903S

(12) **United States Design Patent** (10) **Patent No.:** **US D919,903 S**
Walsh (45) **Date of Patent:** **** May 18, 2021**

(54) **DOG-WASTE-COLLECTION BOWL**

(71) Applicant: **Collette B Walsh**, Philadelphia, PA (US)

(72) Inventor: **Collette B Walsh**, Philadelphia, PA (US)

(**) Term: **15 Years**

(21) Appl. No.: **29/637,335**

(22) Filed: **Feb. 15, 2018**

(51) **LOC (13) Cl.** **30-99**

(52) **U.S. Cl.**
USPC **D30/161**

(58) **Field of Classification Search**
USPC D30/161, 162, 151, 144, 140, 137, 106, D30/199, 121, 122, 129-133; 119/61.5, 119/51.01, 61.56, 51.03, 59, 62, 63, 51.5, 119/57.8, 74, 61.54, 61.55, 867, 868, 161, 119/163, 164, 170, 717, 712, 174; 312/204; 248/151, 188; 108/156, 108/153.1-157; 220/23.87, 630, 737, 220/743, 9.4, 495.01, 574, 212, 255, 220/23.83; 206/515; D7/586, 543, D7/550.1, 587, 505, 584, 545, 500, D7/553.1-553.8, 546, 555, 556, 504, 565, D7/562, 602, 588; D9/429; 43/109, 43/7-12; D22/122; 99/430, DIG. 15; D11/164
CPC A01K 23/00; A01K 23/005; A01K 1/01; A01K 5/0114; A01K 5/01; A01K 5/0135; A01K 7/005; A01K 7/00; A01K 7/02; A01K 5/0142; A01K 5/0121; A01K 5/0128; A01K 27/004; A01K 39/014; A01K 39/00; A01K 39/02; A01K 39/0013; A47J 43/0727; A01M 29/34; B29C 65/48; B65D 81/36; E01H 1/1206; E01H 1/1213; E01H 1/12; E01H 2001/122; E01H 2001/1226; E01H 2001/1233; E01H 2001/128; E01H

2001/1286; E01H 2001/1293; E01H 2001/1273; E01H 2001/126; F16L 3/04; B26B 1/00; B26B 1/002; B26B 1/008; B26B 1/02; B26B 1/04; B26B 1/06; B26B 1/14; B26B 1/142; B26B 1/16; B26B 1/22; B26B 3/00; B26B 5/00

See application file for complete search history.

(56) **References Cited**

U.S. PATENT DOCUMENTS

533,765 A * 2/1895 Wanner, Jr. B65D 1/165
220/671
D37,604 S * 10/1905 Fletcher D7/531
D65,062 S * 7/1924 Keller D7/565
D65,115 S * 7/1924 Giometti et al. D7/565
2,027,296 A * 1/1936 Stuart A21B 3/131
206/524.6
D161,228 S * 12/1950 Wilkerson D7/565

(Continued)

Primary Examiner — Susan Moon Lee
(74) *Attorney, Agent, or Firm* — Axenfeld Law Group, LLC; Robert R. Axenfeld, Esq.

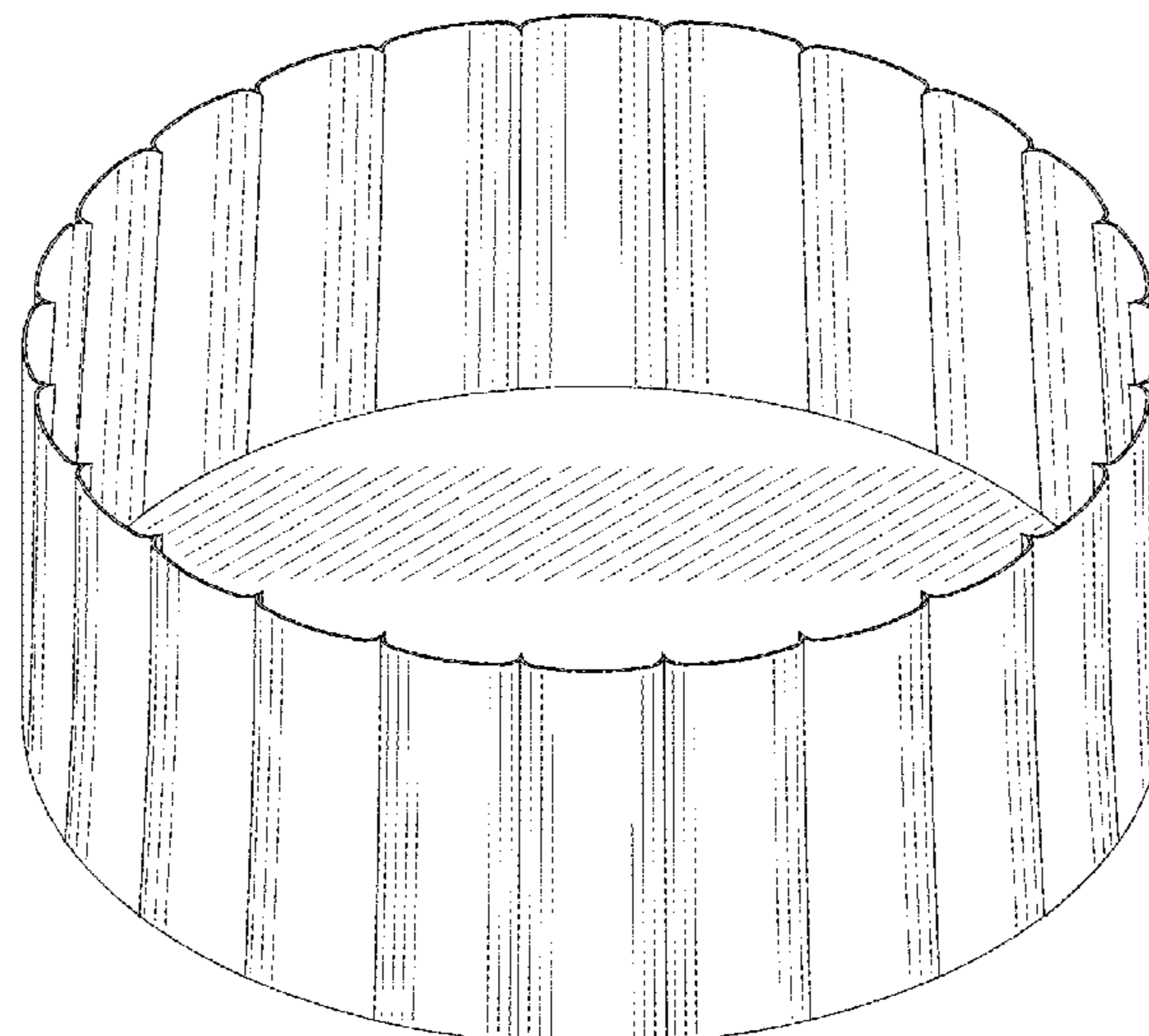
(57) **CLAIM**

The ornamental design for a dog-waste-collection bowl, as shown and described.

DESCRIPTION

FIG. 1 is a top isometric view of the dog-waste-collection bowl;
FIG. 2 is a bottom rear view thereof;
FIG. 3 is a front view thereof, the rear view thereof being the same, the right view thereof being the same, and the left view thereof being the same;
FIG. 4 is a top view thereof; and,
FIG. 5 is a bottom view thereof.
Any shading and cross-hatching are not features of the design but are utilized to illustrate the surface contours of the dog-waste-collection bowl design in the drawings.

1 Claim, 5 Drawing Sheets



(56)

References Cited

U.S. PATENT DOCUMENTS

2,546,874 A * 3/1951 Siegrist A47J 31/446
210/489
2,859,878 A * 11/1958 Spiselman A47J 31/08
210/541
2,967,652 A * 1/1961 Canfield B65D 77/2008
229/5.5
RE25,618 E * 7/1964 Goodman B65D 81/3869
220/592.17
3,779,231 A * 12/1973 Anderson A47J 36/022
126/373.1
D248,269 S * 6/1978 Schreckengost D7/565
D250,929 S * 1/1979 Gerstman D7/565
4,221,670 A * 9/1980 Ziemek A47J 31/0626
210/474
D263,447 S * 3/1982 Brown D7/400
4,362,623 A * 12/1982 Holopainen B65D 71/00
206/499
D272,030 S * 1/1984 Sleith D7/565
D274,115 S * 6/1984 Gavin D7/400
D278,116 S * 3/1985 Gavin D7/400
D324,324 S * 3/1992 Picozza D7/565
D325,112 S * 4/1992 Thompson D1/118
D338,375 S * 8/1993 Andress D7/560
5,385,260 A * 1/1995 Gatcomb B65D 3/06
229/400
5,582,389 A * 12/1996 Greene A47J 36/022
229/235
5,771,787 A * 6/1998 Hirano A21B 3/13
99/426
D402,739 S * 12/1998 Mc Clements D23/309
D424,369 S * 5/2000 Bielfeldt D7/400
D455,608 S * 4/2002 McWilliams D7/400
D460,663 S * 7/2002 Seager D7/565
D468,202 S * 1/2003 Chou D9/425
D469,662 S * 2/2003 Thonis D7/602
D480,269 S * 10/2003 Currier D7/515
6,905,017 B1 * 6/2005 Sarnoff B65D 1/36
206/216
D521,872 S * 5/2006 Wu D1/127
D545,113 S * 6/2007 Lion D7/354
D552,409 S * 10/2007 Vendl D7/354

D553,441 S * 10/2007 Mirpuri D7/509
D574,662 S * 8/2008 Vendl D7/354
D575,096 S * 8/2008 Vendl D7/354
D578,338 S * 10/2008 Vendl D7/354
D578,828 S * 10/2008 Vendl D7/354
D579,275 S * 10/2008 Vendl D7/354
D579,711 S * 11/2008 Vendl D7/354
D581,719 S * 12/2008 Frank D7/354
D586,175 S * 2/2009 Frank D7/354
D600,505 S * 9/2009 Godinger D7/610
D609,963 S * 2/2010 Braden D7/359
D629,641 S * 12/2010 Kuan D7/354
D633,654 S * 3/2011 Berkete D28/79
D645,639 S * 9/2011 Mingyun D1/199
D645,642 S * 9/2011 Mingyun D1/199
D675,479 S * 2/2013 Phillips D7/507
8,802,176 B2 * 8/2014 Lange A23L 29/212
426/512
D717,585 S * 11/2014 Moser D7/360
9,145,234 B1 * 9/2015 Dalmolin A21B 3/131
D783,365 S * 4/2017 Hsu D7/584
D786,612 S * 5/2017 Esteban Bautista D7/359
D791,546 S * 7/2017 Howell D7/584
D812,316 S * 3/2018 Valdez D30/121
D819,390 S * 6/2018 Facquet D7/359
D828,089 S * 9/2018 Schueler D7/400
D850,863 S * 6/2019 Miksovsky D7/584
D871,127 S * 12/2019 Lv D7/359
10,856,553 B1 * 12/2020 Friedersdorf A21B 3/131
2002/0112614 A1 * 8/2002 Zoss A21D 10/025
99/426
2005/0211101 A1 * 9/2005 Finnie, II A21B 3/138
99/279
2006/0213905 A1 * 9/2006 Shaw H05B 6/6408
219/729
2007/0284426 A1 * 12/2007 Lo B65D 81/3869
229/403
2008/0095908 A1 * 4/2008 Vendl A21B 3/138
426/549
2013/0084377 A1 * 4/2013 Orris A21B 3/138
426/503
2013/0095201 A1 * 4/2013 Bloom A47J 43/20
425/447

* cited by examiner

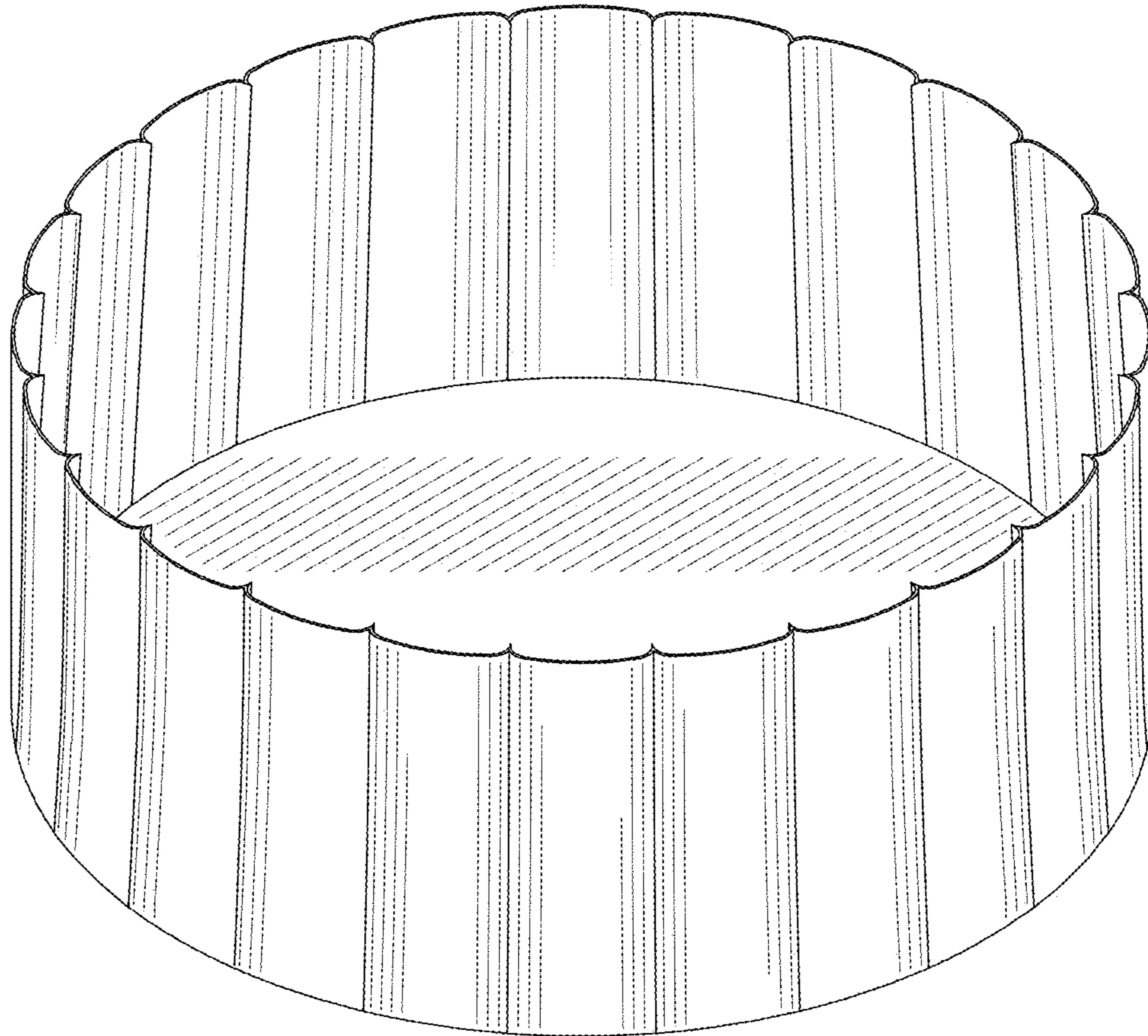


FIG. 1

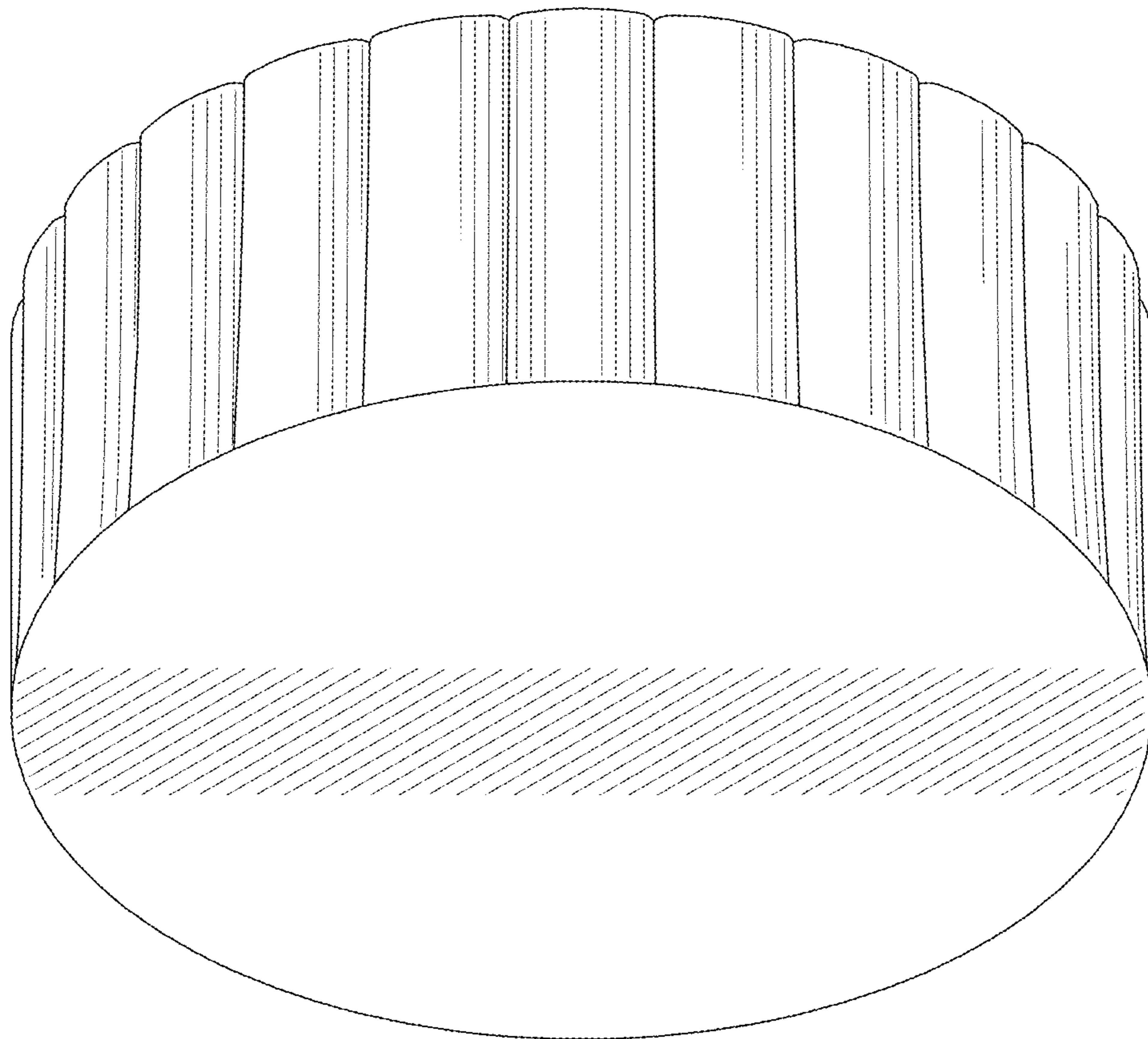


FIG. 2

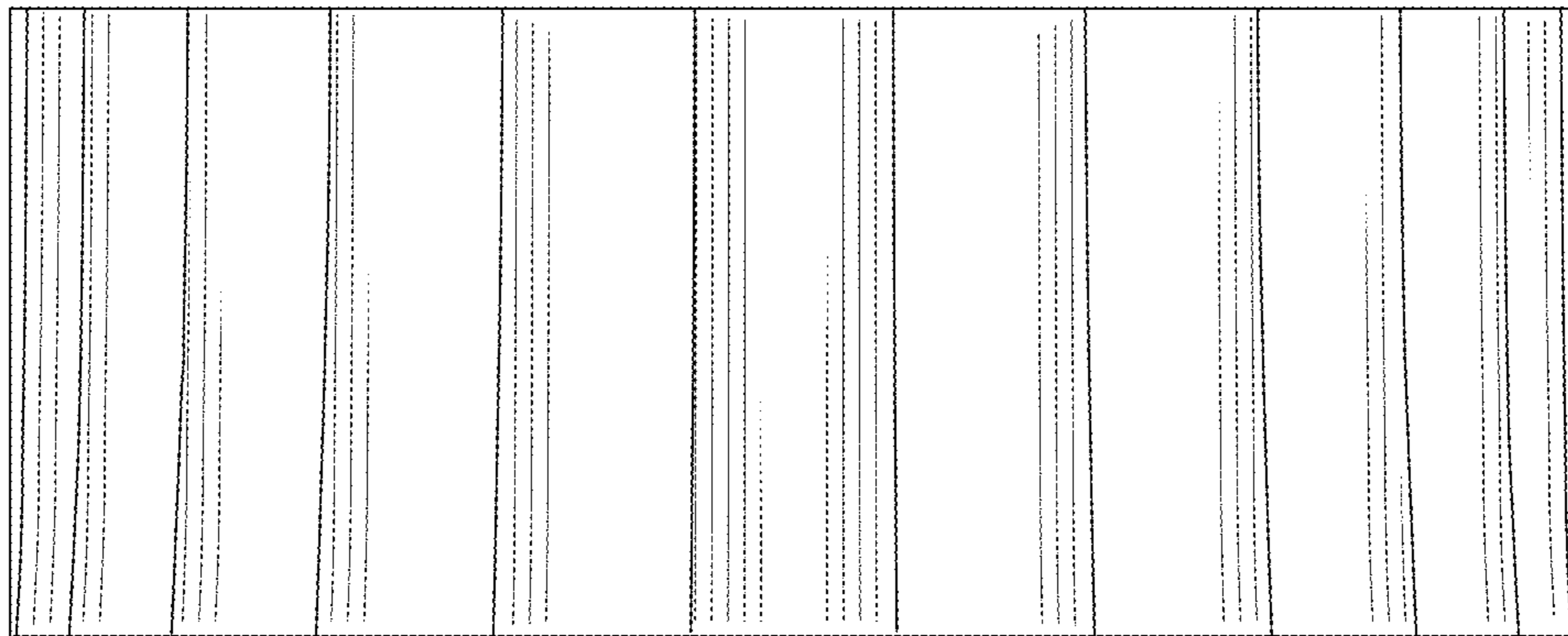


FIG. 3

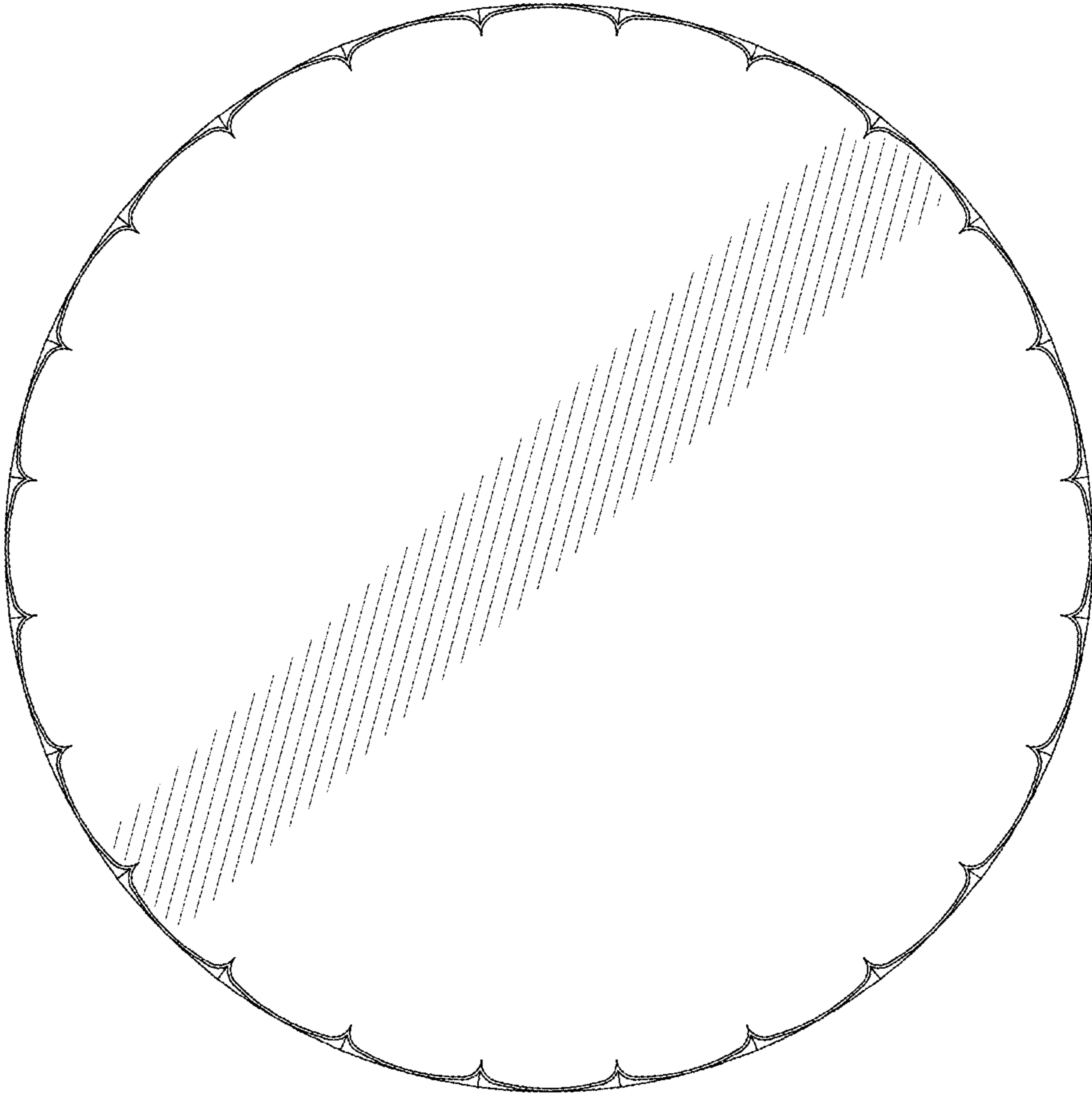


FIG. 4

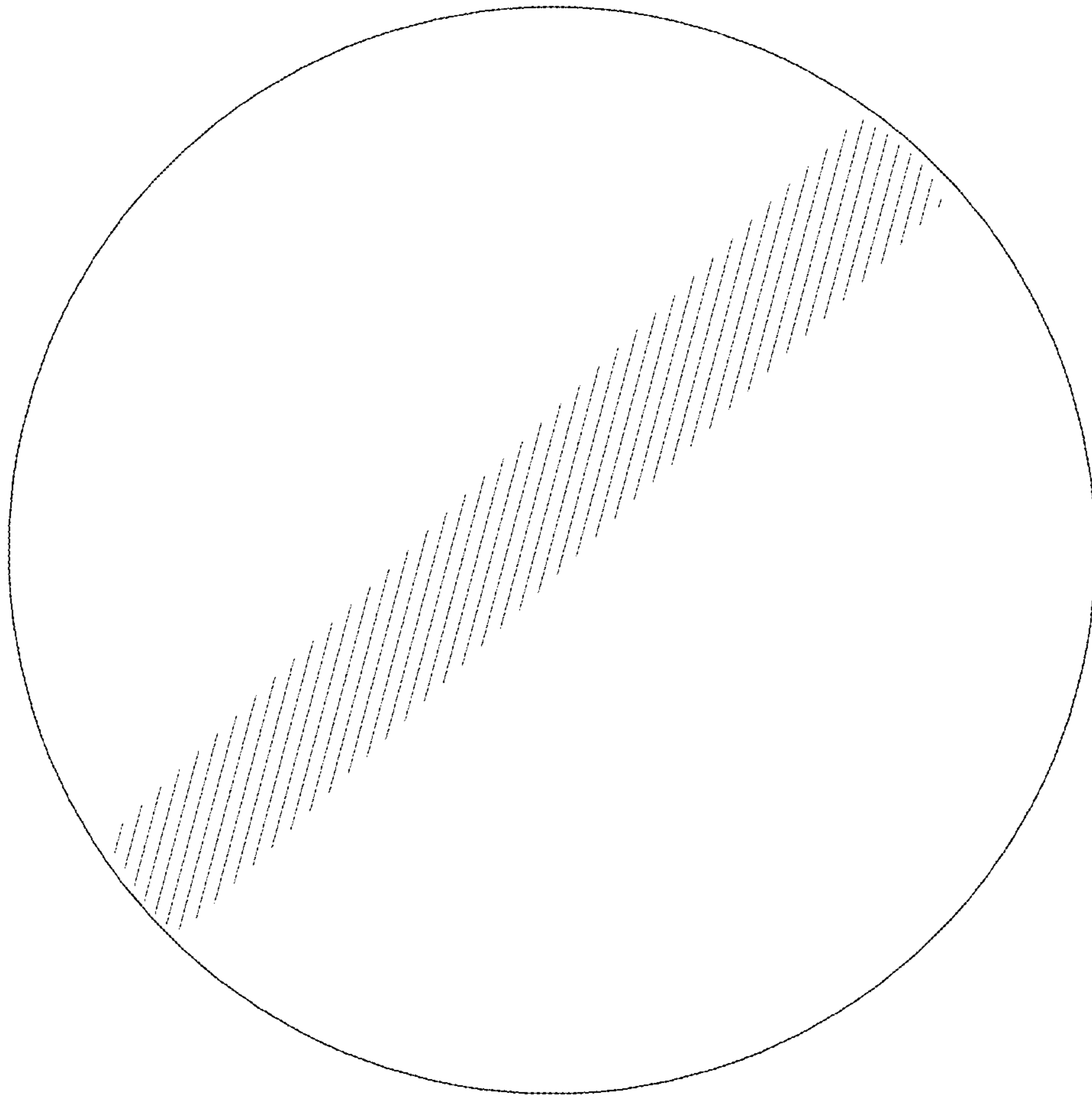


FIG. 5