



US00D919900S

(12) **United States Design Patent**  
**Jaeger**

(10) **Patent No.:** **US D919,900 S**

(45) **Date of Patent:** **\*\* May 18, 2021**

(54) **TOY FOR ANIMALS**

(71) Applicant: **Claudius Jaeger**, Boulder, CO (US)

(72) Inventor: **Claudius Jaeger**, Boulder, CO (US)

(\*\*) Term: **15 Years**

(21) Appl. No.: **29/690,047**

(22) Filed: **May 3, 2019**

(51) **LOC (13) Cl.** ..... **30-99**

(52) **U.S. Cl.**  
USPC ..... **D30/160**

(58) **Field of Classification Search**  
USPC ..... D21/398, 400, 402, 412, 415, 426, 436,  
D21/439, 440, 441, 443, 455, 460-462,  
D21/466-468, 479, 495, 563, 656, 712,  
D21/713, 788, 799.1, 470, 681, 386, 484,  
D21/707, 408, 437, 673, 678, 679, 682;  
D24/211, 212, 214, 215, 193-195;  
D30/108-120, 158-161; D1/120,  
D1/125-127, 101, 104, 106, 199, 108,  
D1/115  
CPC ..... A01K 15/026; A63B 2243/007; A63B  
37/00; A63B 43/002; A63B 43/04  
See application file for complete search history.

D759,343 S \* 6/2016 Kimura ..... D1/126  
D771,898 S \* 11/2016 Albuja ..... D1/125  
D775,450 S \* 1/2017 Kimura ..... D1/126  
D781,025 S \* 3/2017 Pope ..... D1/125  
D804,741 S \* 12/2017 Park ..... D30/160  
D804,743 S \* 12/2017 Park ..... D30/160  
D809,219 S \* 1/2018 Wright ..... A46B 5/02  
D30/160  
D821,663 S \* 6/2018 Ting ..... D30/160  
D822,321 S \* 7/2018 McGrath ..... D1/125  
D852,438 S \* 6/2019 Liu ..... D30/152  
D858,909 S \* 9/2019 SteinKraus ..... D30/160  
D859,784 S \* 9/2019 Cavalcanti ..... D1/125  
D872,387 S \* 1/2020 Crane ..... D30/160  
D890,454 S \* 7/2020 Dertsakyan ..... D30/160  
D892,427 S \* 8/2020 Cavalcanti ..... D1/125

\* cited by examiner

*Primary Examiner* — Aula Soroush  
(74) *Attorney, Agent, or Firm* — Johnson, Marcou, Isaacs & Nix, LLC; Jennifer S. Stachniak

(57) **CLAIM**

The ornamental design for a toy for animals, as shown and described.

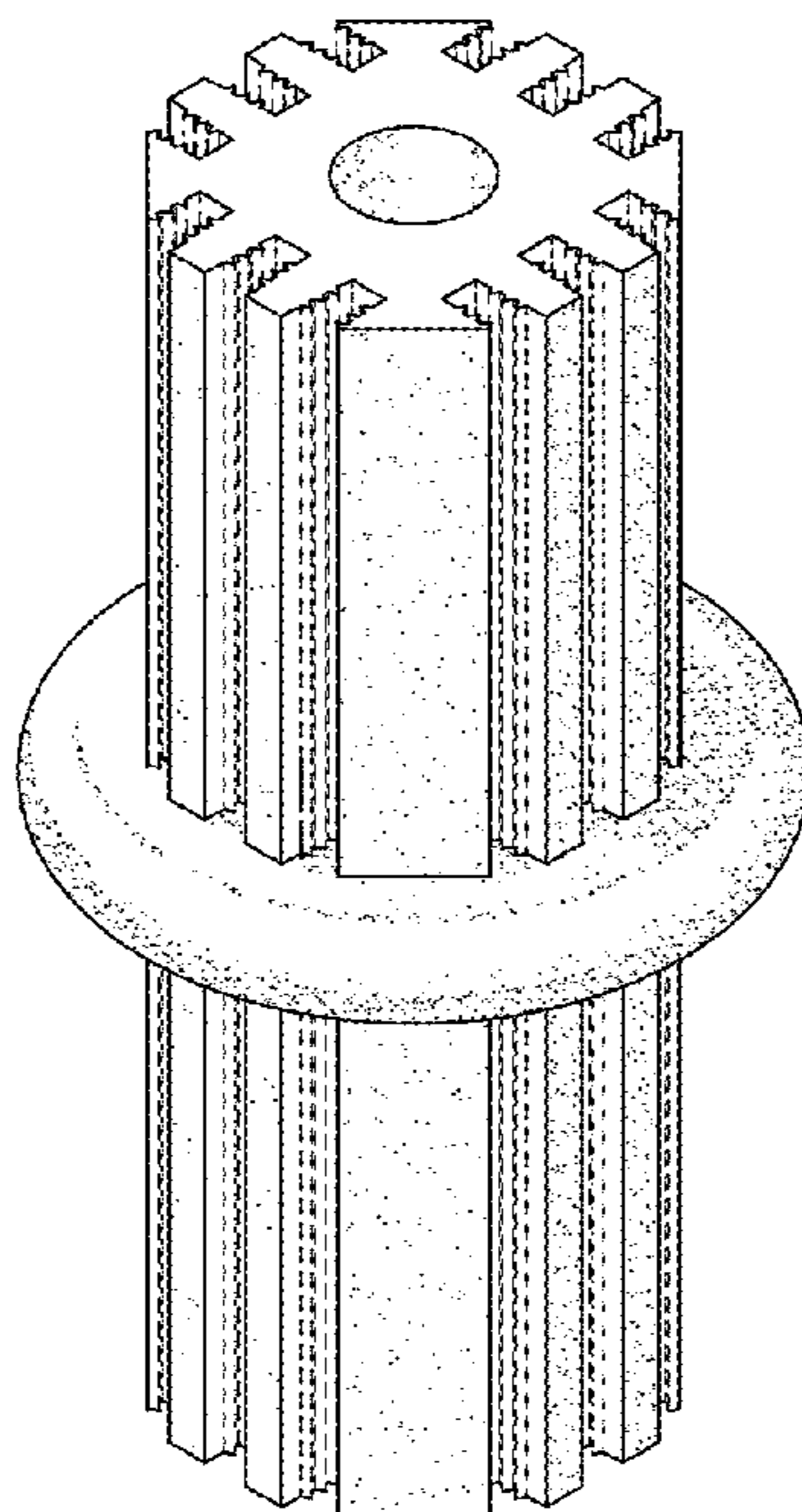
**DESCRIPTION**

FIG. 1 is a top perspective view of a toy for animals;  
FIG. 2 is a right side elevation view thereof;  
FIG. 3 is a left side elevation view thereof;  
FIG. 4 is a top plan view thereof;  
FIG. 5 is a front elevation view thereof;  
FIG. 6 is a bottom plan view thereof; and,  
FIG. 7 is a rear elevation view thereof.  
The broken lines shown in the views are included for the purpose of illustrating portions of the toy for animals and form no part of the claimed design.

**1 Claim, 4 Drawing Sheets**

(56) **References Cited**  
U.S. PATENT DOCUMENTS

D473,683 S \* 4/2003 Willinger ..... A01K 15/026  
D30/160  
D540,496 S \* 4/2007 Axelrod ..... D30/160  
D564,714 S \* 3/2008 Axelrod ..... D30/160  
D661,868 S \* 6/2012 Takeda ..... D1/199  
D683,928 S \* 6/2013 Tansey ..... D1/125  
D725,868 S \* 4/2015 Kimura ..... D1/126  
D733,992 S \* 7/2015 Kimura ..... D1/126



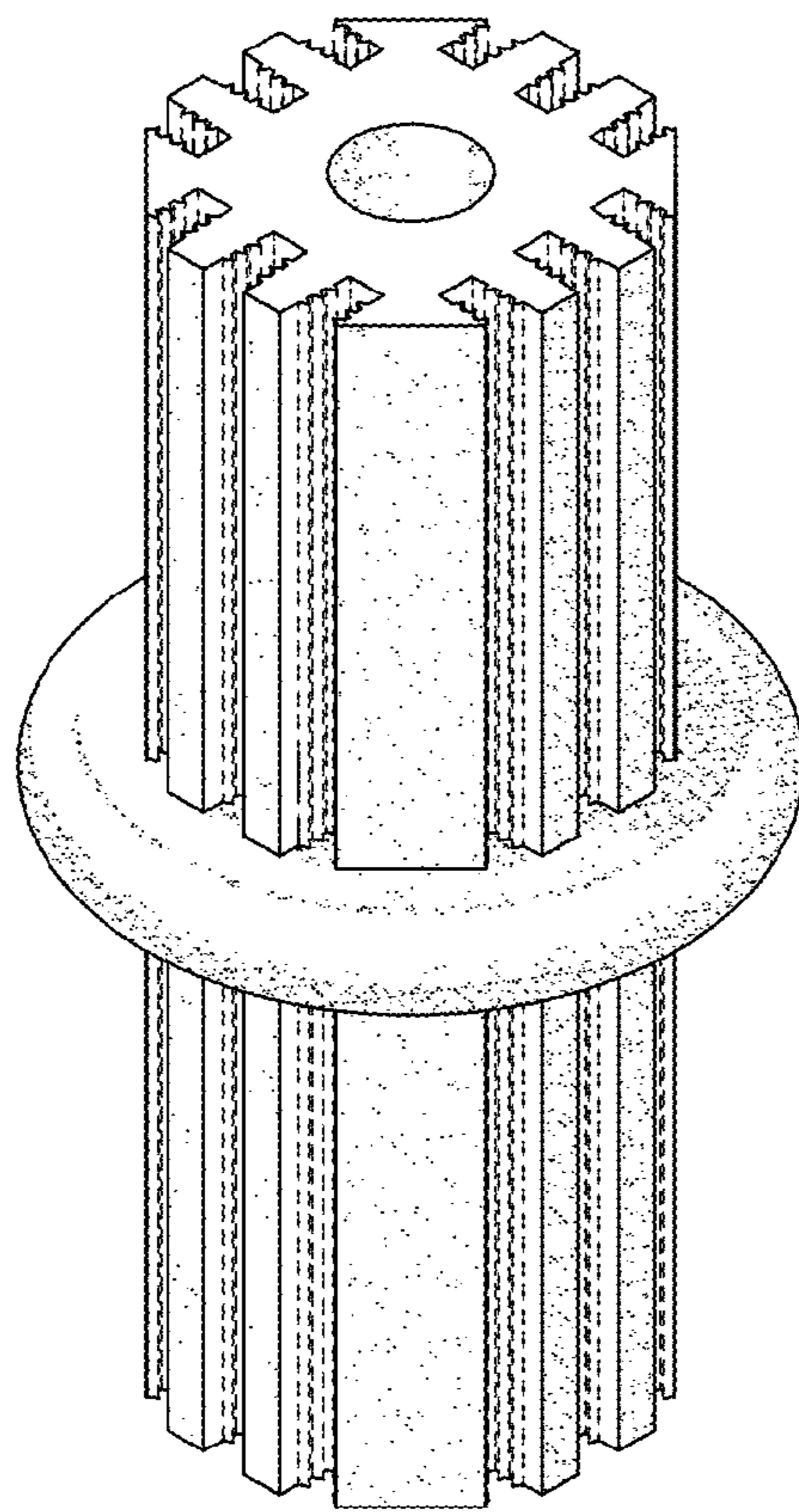


FIG. 1

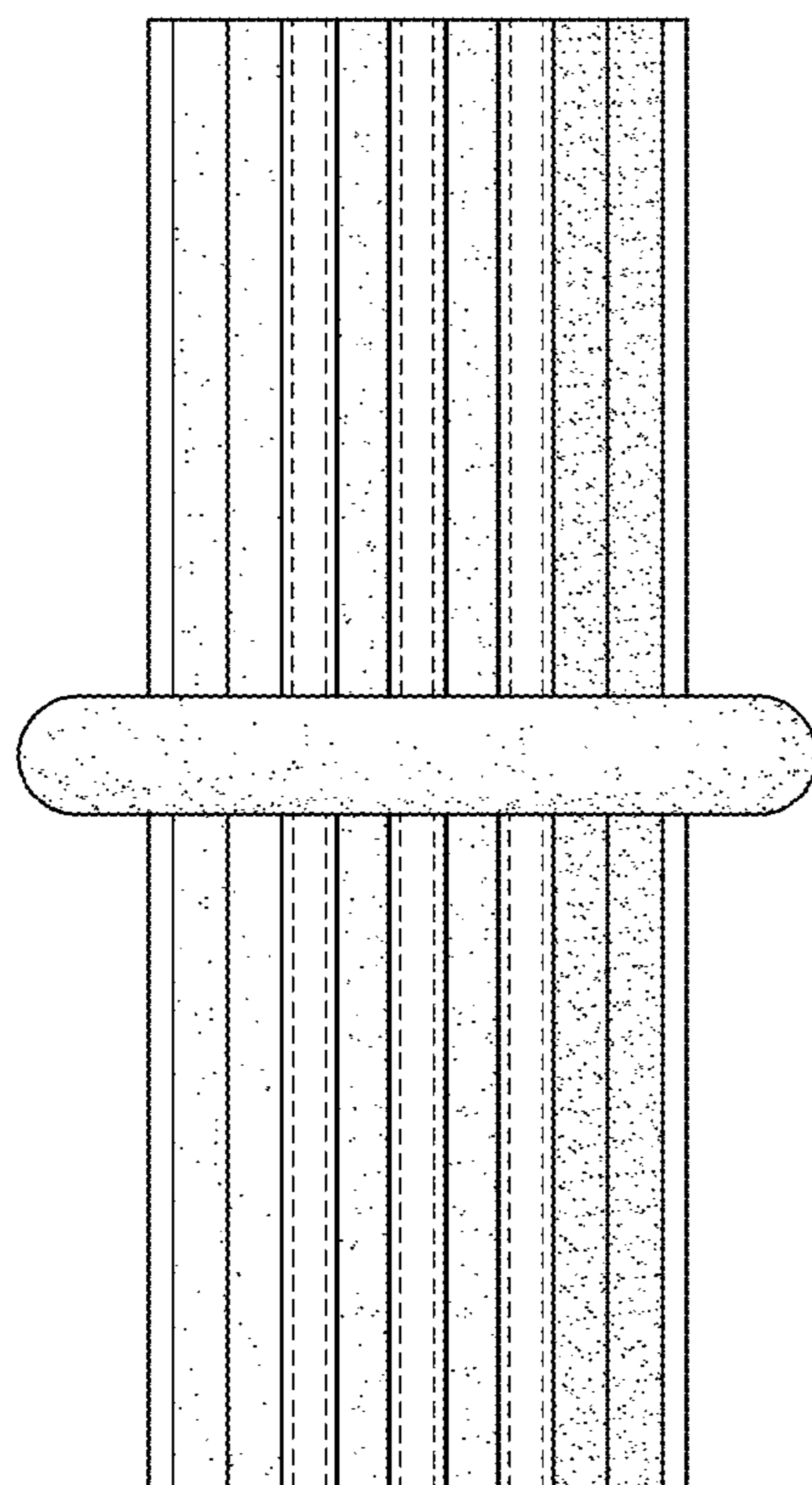


FIG. 2

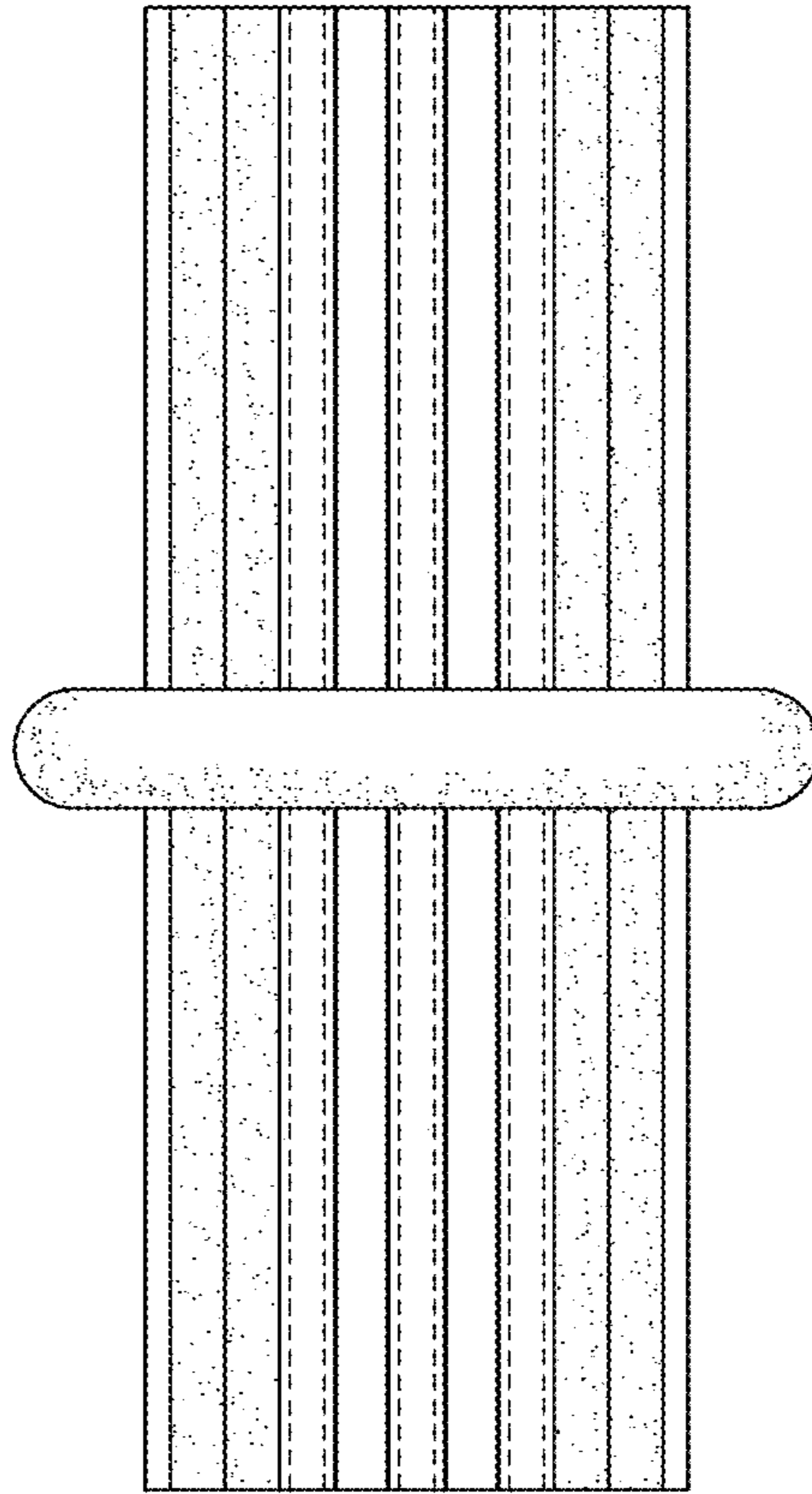


FIG. 3

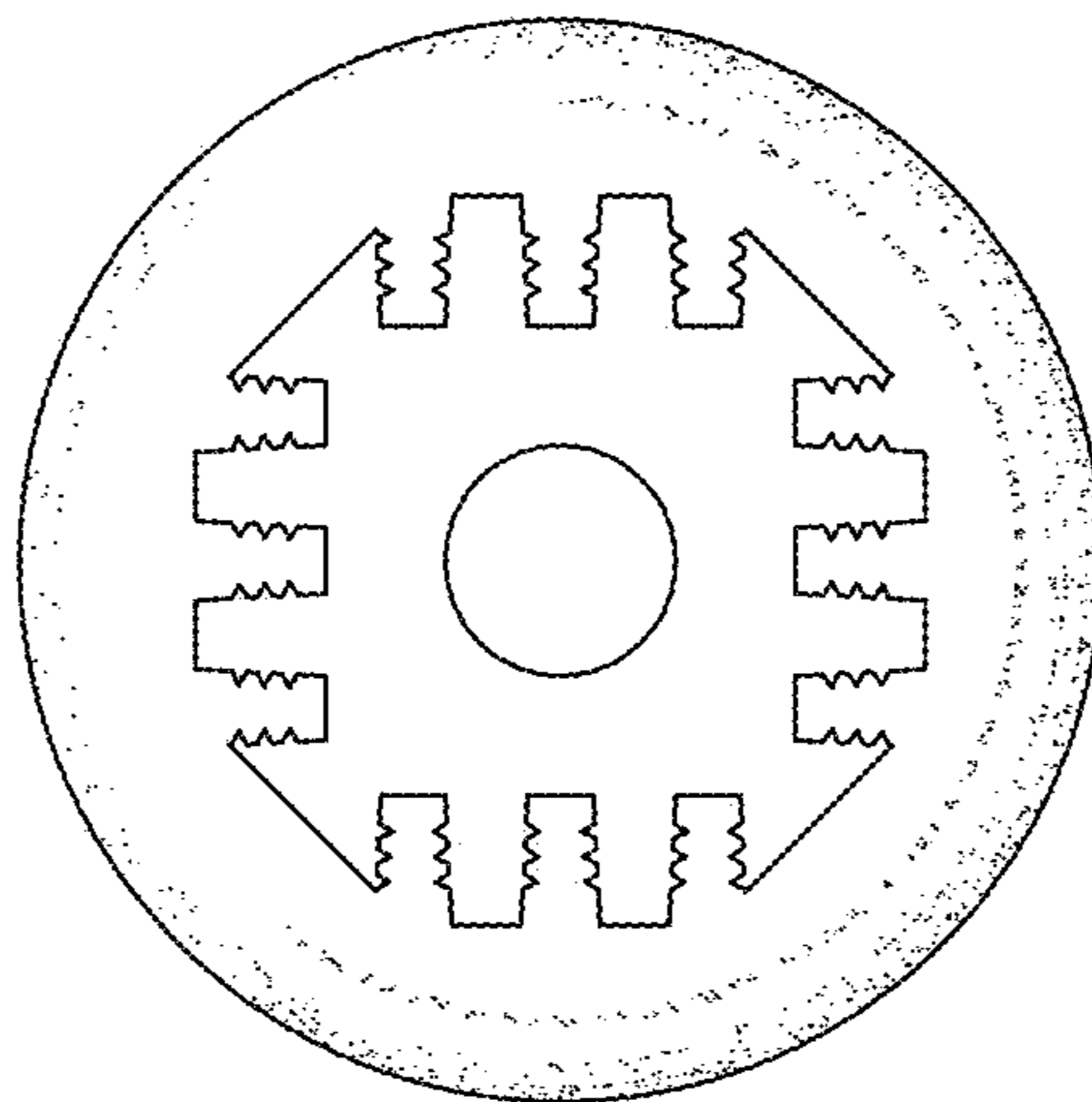


FIG. 4

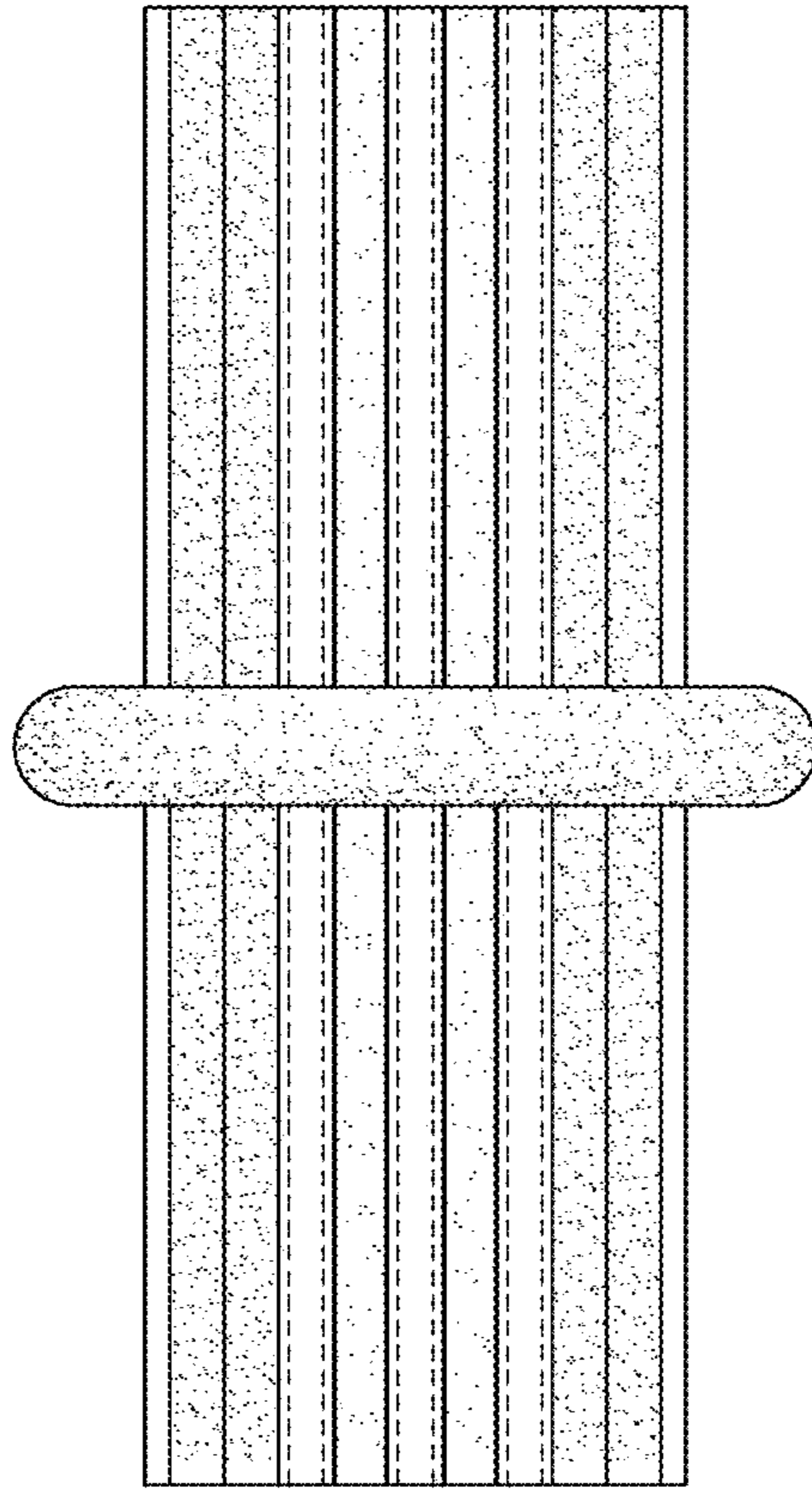


FIG. 5

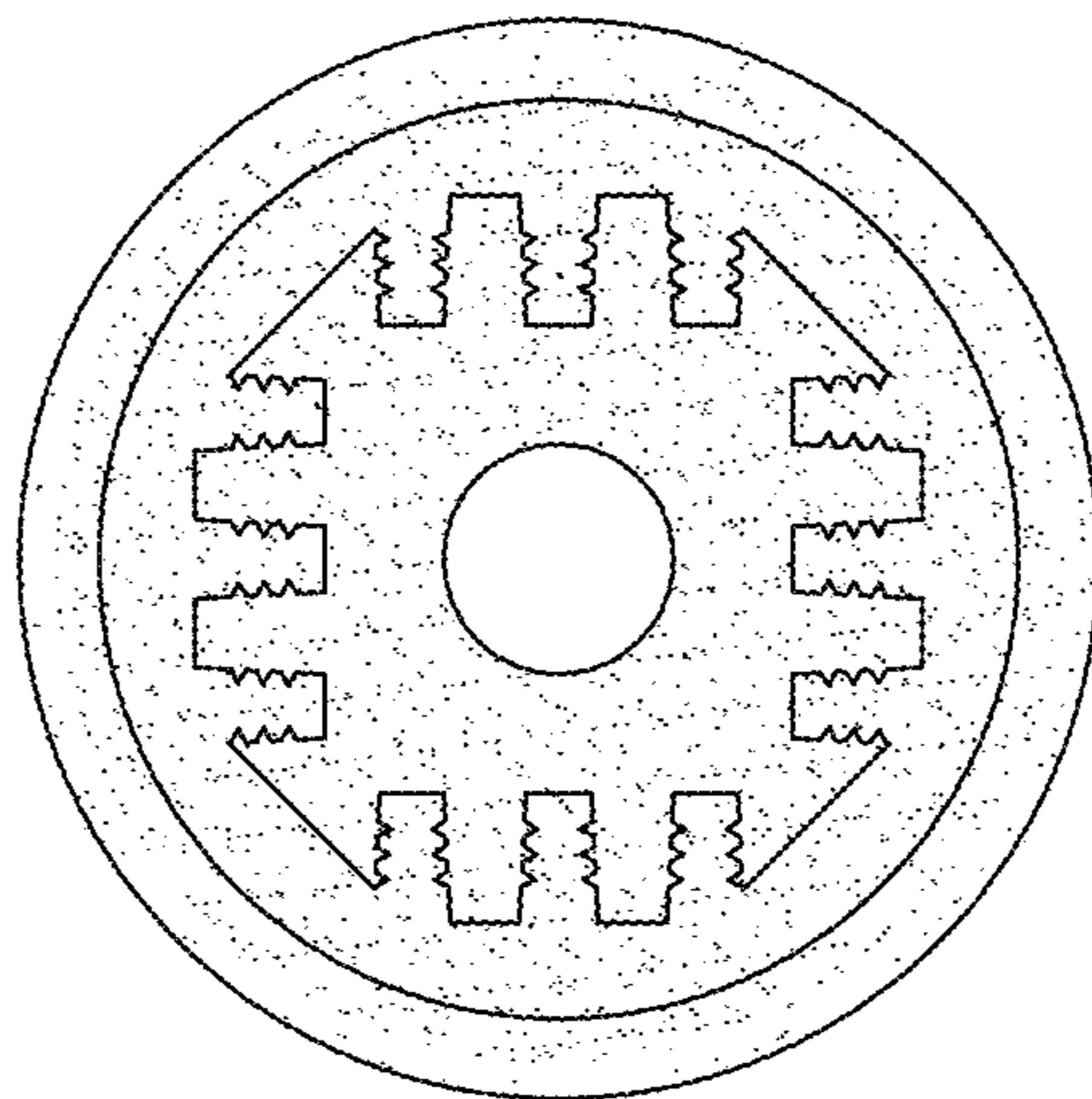


FIG. 6

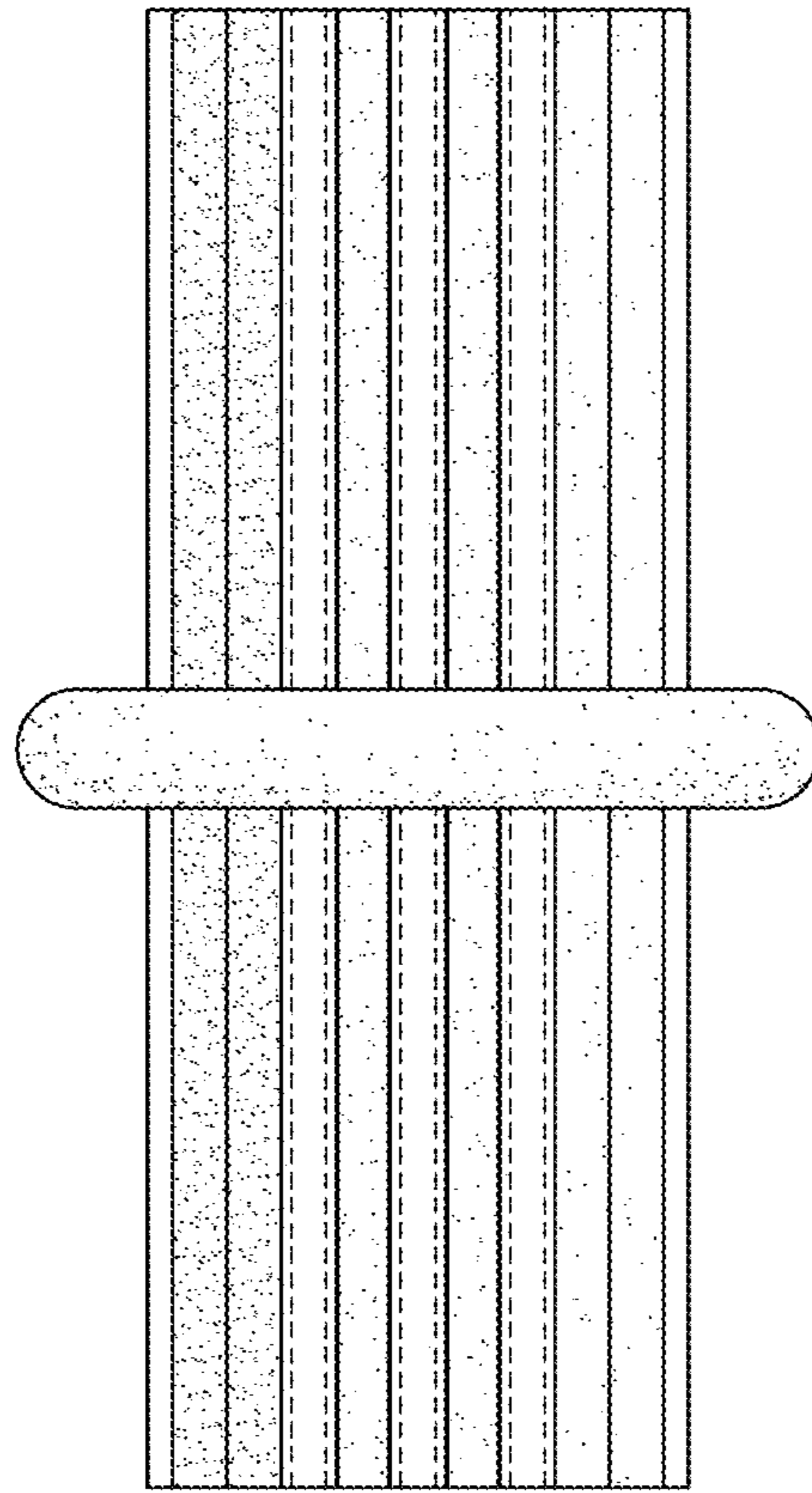


FIG. 7