



US00D919897S

(12) **United States Design Patent** (10) **Patent No.:** **US D919,897 S**
Dierkes (45) **Date of Patent:** **** May 18, 2021**

(54) **LEG GUARD**
(71) Applicant: **Wilson Sporting Goods Co.**, Chicago, IL (US)
(72) Inventor: **Matthew J. Dierkes**, Chicago, IL (US)
(73) Assignee: **Wilson Sporting Goods Co.**, Chicago, IL (US)

5,328,652 A 7/1994 Thomson
D365,667 S 12/1995 Hargrove et al.
D383,250 S * 9/1997 Amico D29/120.1
5,898,939 A * 5/1999 Schramm A41D 13/0153
2/22
D425,672 S 5/2000 Ayala
6,178,555 B1 1/2001 Williams
D445,221 S 7/2001 Foreman et al.
D461,936 S * 8/2002 Fiorini A41D 13/0568
D29/120.1

(**) Term: **15 Years**

(Continued)

(21) Appl. No.: **29/700,778**

(22) Filed: **Aug. 6, 2019**

(51) **LOC (13) Cl.** **29-02**

(52) **U.S. Cl.**
USPC **D29/121.2**

(58) **Field of Classification Search**
USPC D29/100, 120.1, 121.1, 121.2, 122;
D24/190, 192, 165, 171, 188, 200, 231;
D21/780
CPC A41D 13/0015; A41D 13/10002; A41D
13/0543; A41D 13/055; A41D 13/0556;
A41D 13/0562; A41D 13/0568; A41D
13/06; A41D 13/065; A41D 13/08; A41D
13/05; A63B 71/081; A63B 71/12; A63B
71/1225; A63B 71/125; A63B 71/1258;
A63B 71/08; A63B 69/0002; A61F
5/0585; Y10S 2/908; Y10S 2/91; A61H
2205/10; A61H 2205/102; A61H
2205/104; A61H 2205/106; A61H
2205/108

See application file for complete search history.

(56) **References Cited**

U.S. PATENT DOCUMENTS

2,249,553 A 7/1941 Cataffo
3,241,153 A * 3/1966 Brewer A43C 13/14
2/455
D278,567 S 4/1985 Rasmussen
D306,921 S 3/1990 Pettinelli

OTHER PUBLICATIONS

Youtube, "Leg Guard—Men's", first available Jun. 7, 2010. (https://www.youtube.com/watch?v=QSASlet1mFU&feature=emb_title)(Year: 2010).*

(Continued)

Primary Examiner — April Rivas
Assistant Examiner — Justin A Johnson
(74) *Attorney, Agent, or Firm* — Terence P. O'Brien

(57) **CLAIM**

I claim the ornamental design for a leg guard, as shown and described.

DESCRIPTION

FIG. 1 is a front perspective view of a leg guard being worn by a baseball player;
FIG. 2 is a front, side perspective view of the leg guard of FIG. 1;
FIG. 3 is a front view of the leg guard of FIG. 1;
FIG. 4 is a rear view of the leg guard of FIG. 1;
FIG. 5 is a left-side view of the leg guard of FIG. 1;
FIG. 6 is a right-side view of the leg guard of FIG. 1;
FIG. 7 is a top view of the leg guard of FIG. 1; and,
FIG. 8 is a bottom view of the leg guard of FIG. 1.
The dashed lines shown in FIGS. 1 through 8 are included for the purpose of illustrating environmental elements only and form no part of the claimed design.

1 Claim, 6 Drawing Sheets



(56)

References Cited

U.S. PATENT DOCUMENTS

D504,980 S * 5/2005 Le Carpentier A63B 71/1225
D29/120.1

D590,105 S 4/2009 Pohorelec

D602,231 S 10/2009 Lillieroth

8,161,569 B2 4/2012 Hudon et al.

D678,621 S 3/2013 Saranga

D696,499 S * 12/2013 Lehtinen D2/909

D700,404 S * 2/2014 Niefer A61F 5/0102
D29/121.2

D776,288 S * 1/2017 Dunn D24/192

9,744,065 B2 * 8/2017 Walborn A61F 5/0102

10,293,241 B2 5/2019 Rodrick et al.

2007/0250977 A1 * 11/2007 Brown A41D 13/0543
2/22

2019/0351310 A1 * 11/2019 Lovetro A63B 71/1225

2020/0113254 A1 * 4/2020 Colvin A41D 13/0568

OTHER PUBLICATIONS

Youtube, "Evoshield batters leg/shin guard unboxing", first available Jun. 6, 2013. (<https://www.youtube.com/watch?v=F84JHR0BBB8>) (Year: 2013).*

Amazon, "Rawlings Leg Guard", first available Feb. 27, 2018. (https://www.amazon.com/Rawlings-GUARDLG-BLK-Leg-Guard-Black/dp/B076CJ2BPP/ref=sr_1_27?dchild=1&keywords=leg+guard&qid=1601319466&sr=8-27) (Year: 2018).*

Amazon, "EvoShield PRO-SRZ Batter's Leg Guard Series", first available Apr. 16, 2019. (<https://www.amazon.com/EvoShield-PRO-SRZ-Batters-Leg-Guard/dp/B07QBD4YQ8?th=1>) (Year: 2019).*

* cited by examiner



FIG. 1

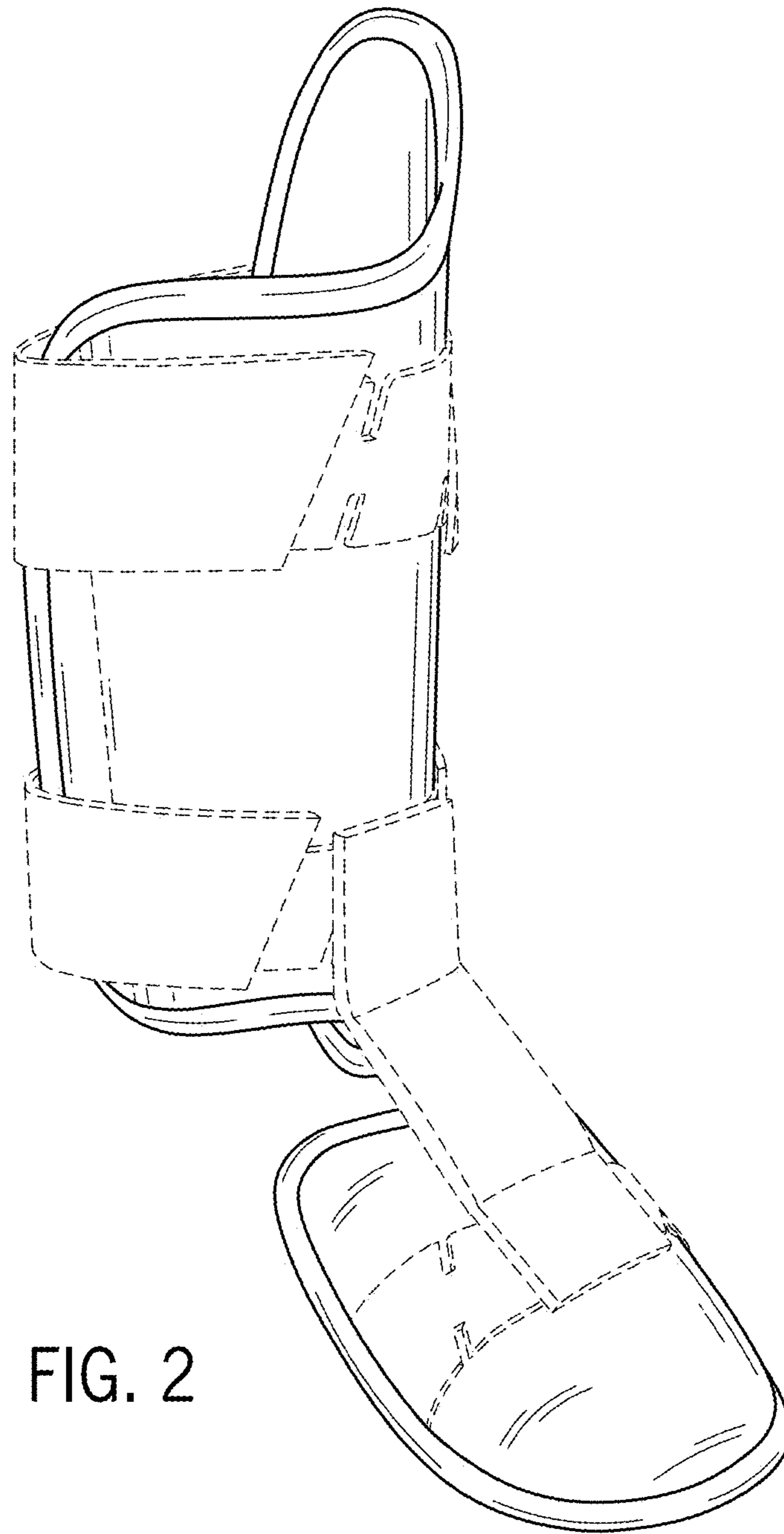


FIG. 2

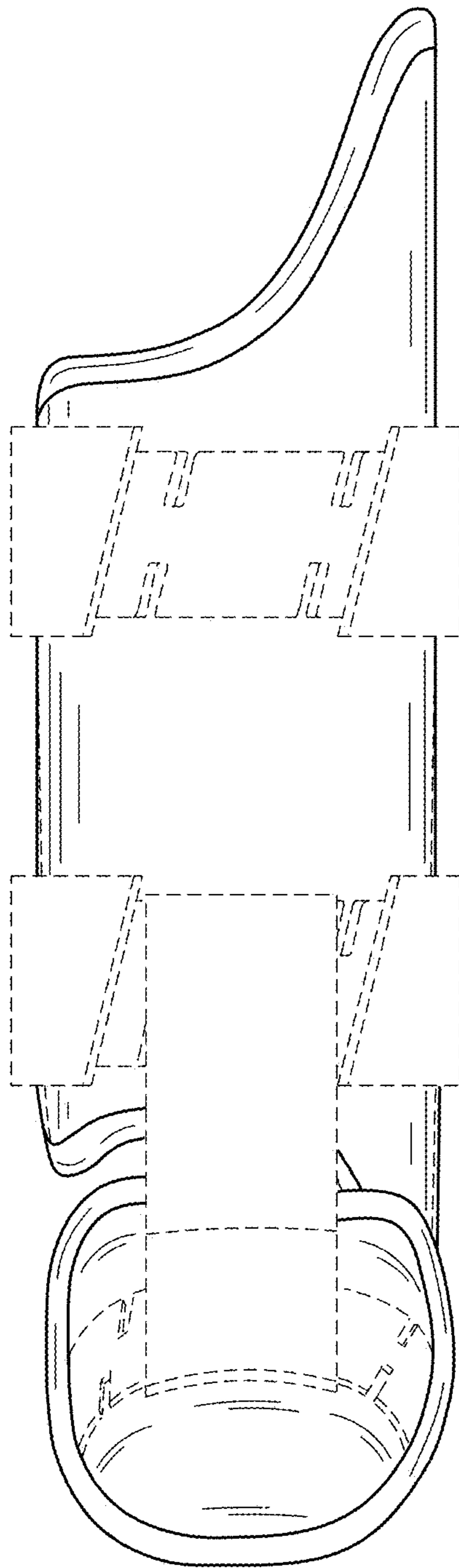


FIG. 3

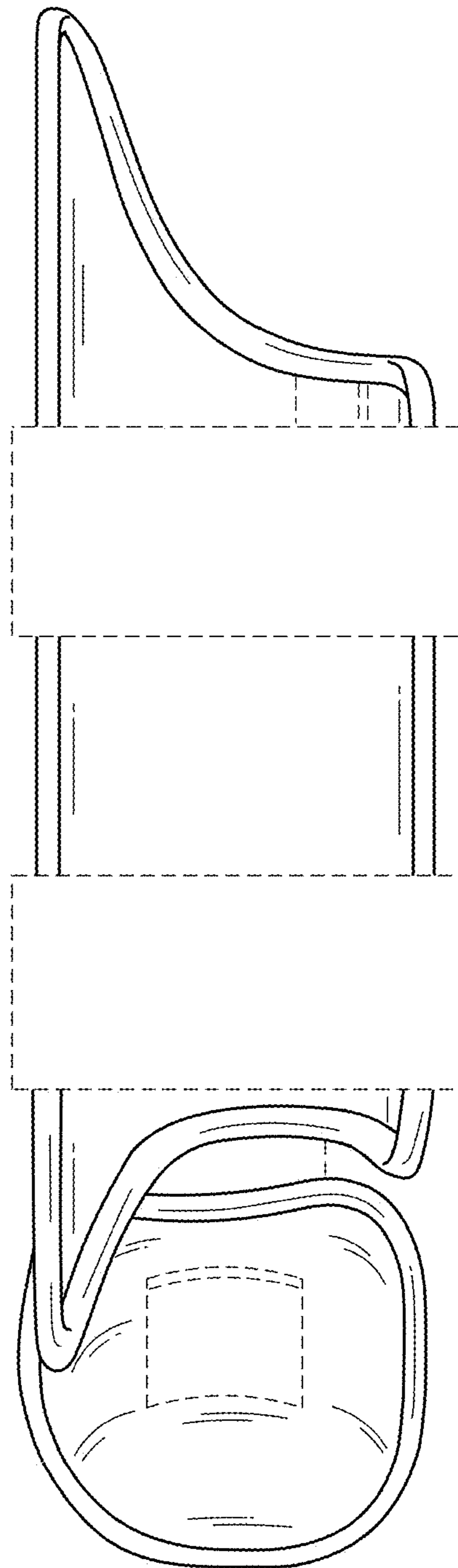


FIG. 4

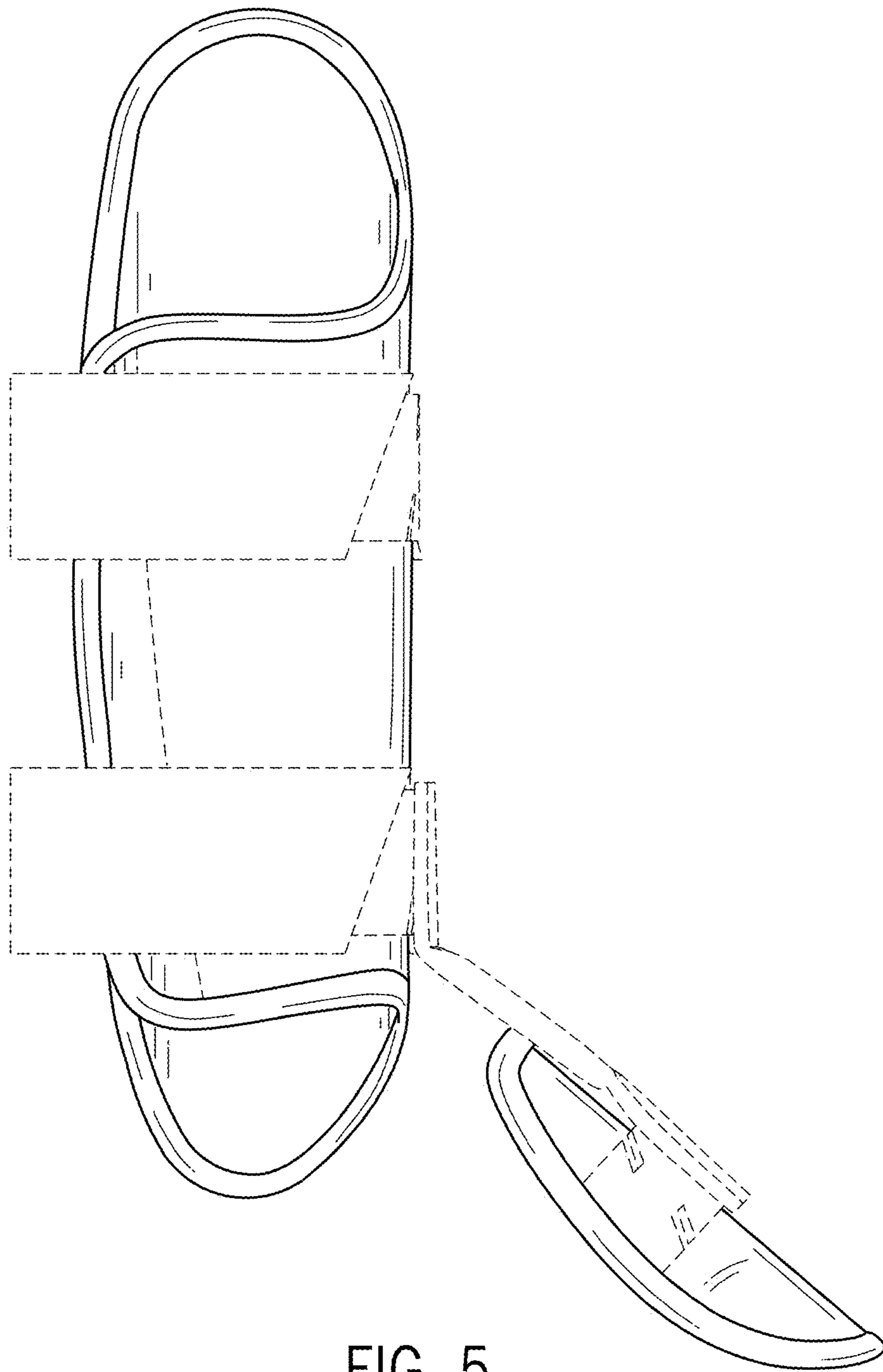


FIG. 5

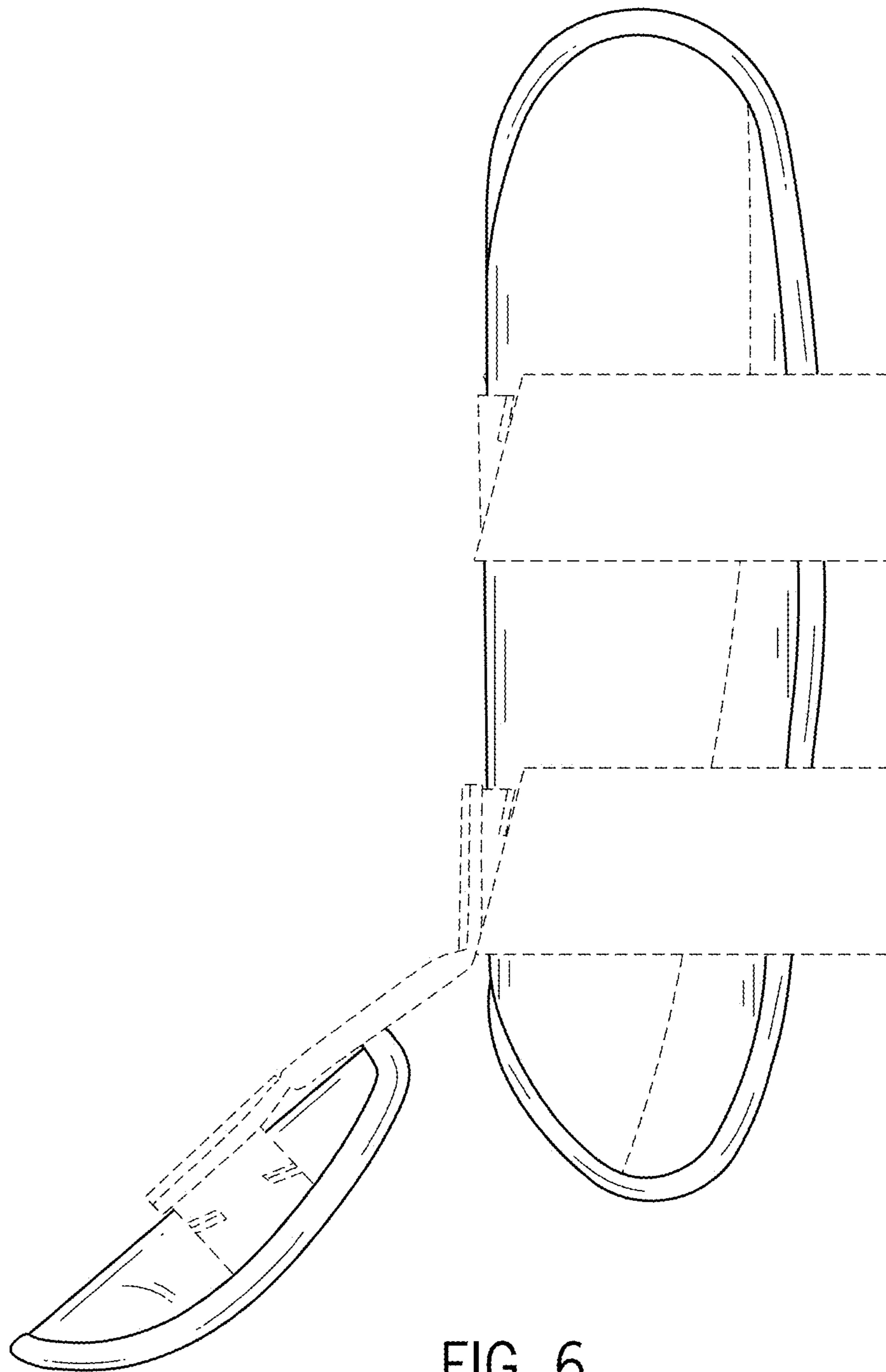


FIG. 6

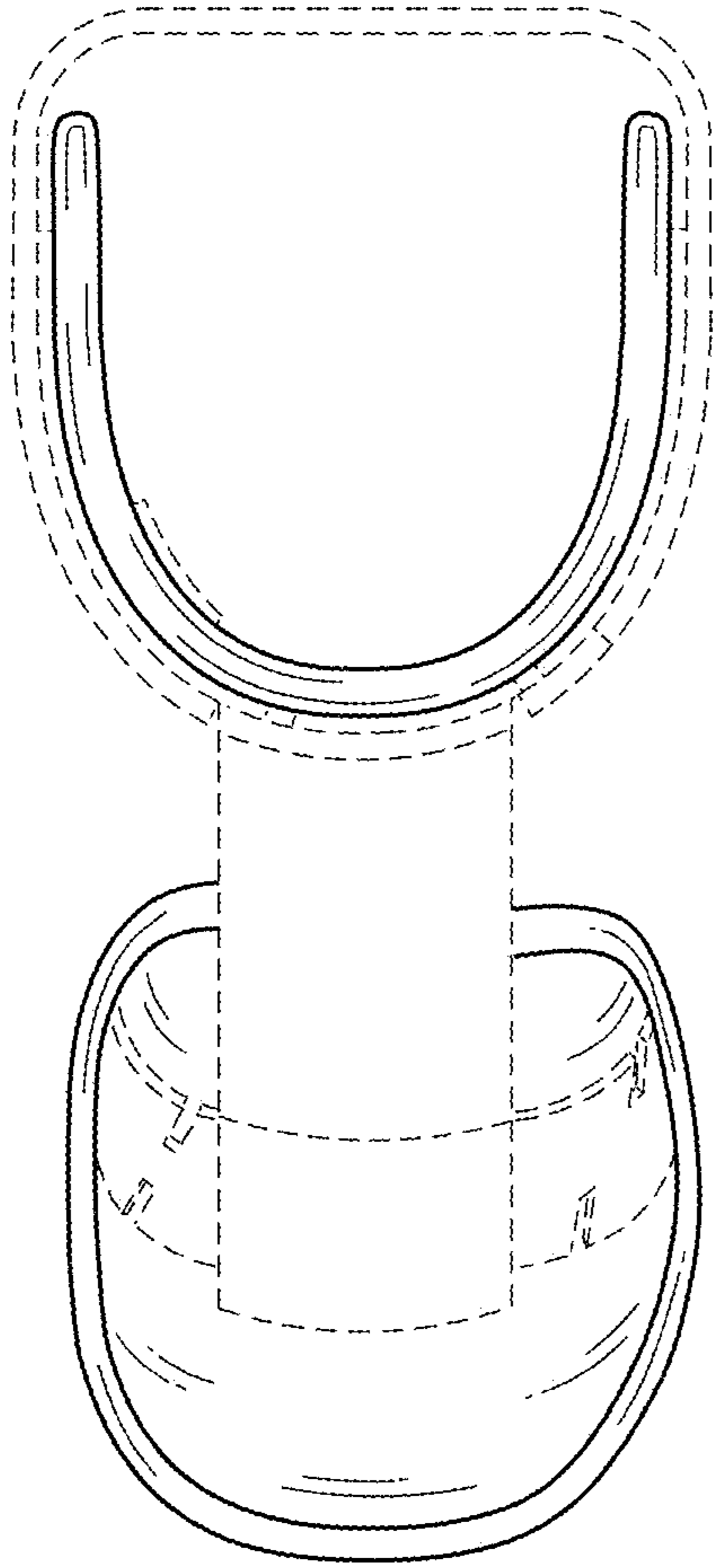


FIG. 7

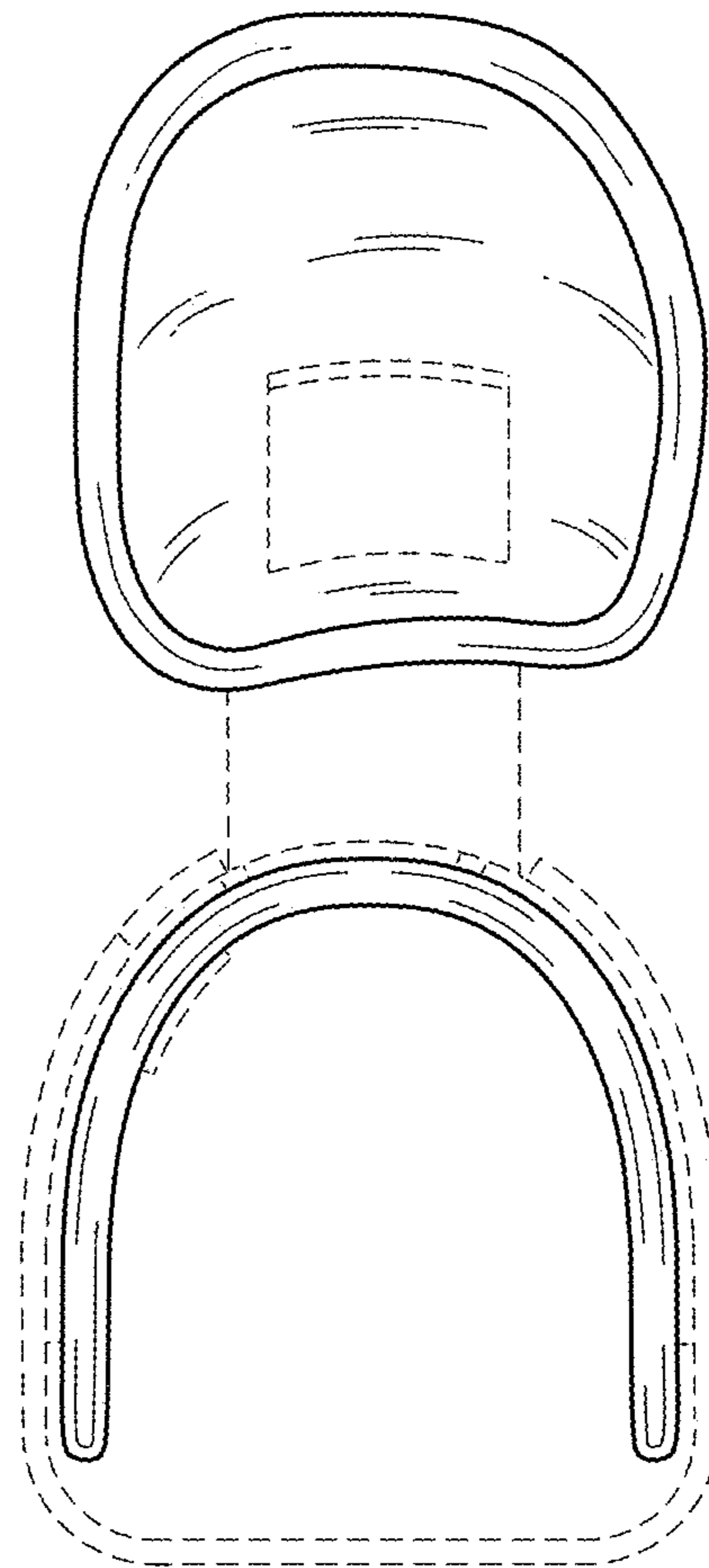


FIG. 8