



US00D919887S

(12) **United States Design Patent** (10) **Patent No.:** **US D919,887 S**  
**Ouyang** (45) **Date of Patent:** **\*\* May 18, 2021**

(54) **ELECTRIC EYELASH CURLER**

FOREIGN PATENT DOCUMENTS

(71) Applicant: **Pingyuan Ouyang**, Shenzhen (CN)

CN 305664604 \* 9/2019

(72) Inventor: **Pingyuan Ouyang**, Shenzhen (CN)

OTHER PUBLICATIONS

(73) Assignee: **SHENZHEN LA PUPIL TECHNOLOGY CO., LTD.**, Shenzhen (CN)

Heated Eyelash Curler [online], [site visited Dec. 2, 2020]. Available from internet, URL:<[https://www.amazon.com/Eyelash-Electric-Curlers-Rechargeable-Long-Lasting/dp/B08C2W685K/ref=sr\\_1\\_62?dchild=1&keywords=heated%2Beyelash%2Bcurler&qid=1606943647&sr=8-62&th=1](https://www.amazon.com/Eyelash-Electric-Curlers-Rechargeable-Long-Lasting/dp/B08C2W685K/ref=sr_1_62?dchild=1&keywords=heated%2Beyelash%2Bcurler&qid=1606943647&sr=8-62&th=1)> (Year: 2020).\*

(\*\*) Term: **15 Years**

Heated Eyelash Curler [online], [site visited Dec. 2, 2020]. Available from internet, URL:<<https://www.amazon.com/Eyelash-Rechargeable-Electric-Eyelashes-Christmas/dp/B08BC7PSPN/>> (Year: 2020).\*

(21) Appl. No.: **29/720,990**

(22) Filed: **Jan. 16, 2020**

(51) **LOC (13) Cl.** ..... **28-03**

\* cited by examiner

(52) **U.S. Cl.**  
USPC ..... **D28/36**

(58) **Field of Classification Search**  
USPC ..... D28/7, 9, 10, 11, 35, 36, 37, 38, 99  
CPC ..... A41G 5/02; A45D 2/48  
See application file for complete search history.

*Primary Examiner* — Cynthia Ramirez  
*Assistant Examiner* — Xavier Marti-Santos

(56) **References Cited**

(57) **CLAIM**

U.S. PATENT DOCUMENTS

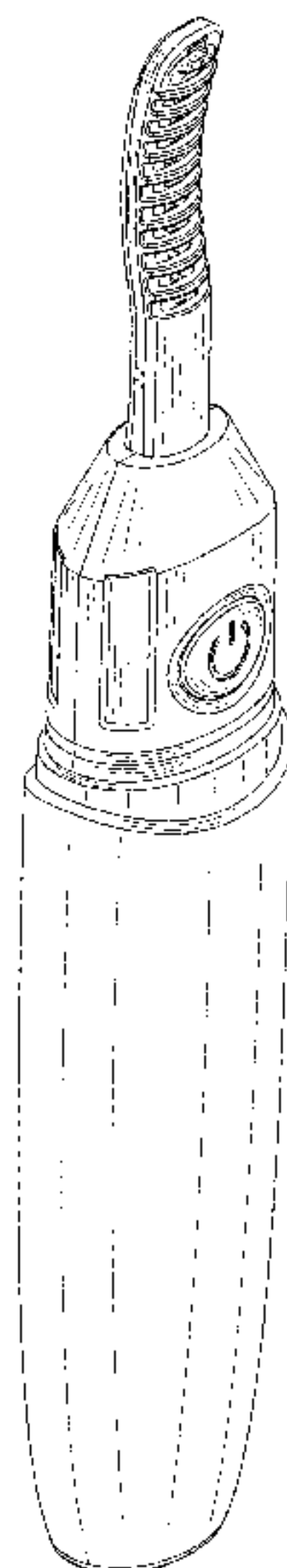
The ornamental design for an electric eyelash curler, as shown and described.

5,853,010 A \* 12/1998 Suh ..... A45D 2/48  
132/217  
D405,669 S \* 2/1999 Suh ..... D28/36  
6,009,884 A \* 1/2000 Suh ..... A45D 2/367  
132/217  
D421,153 S \* 2/2000 Suh ..... D28/36  
D421,319 S \* 2/2000 Smith ..... D28/35  
D649,287 S \* 11/2011 Cho ..... D28/30  
D669,216 S \* 10/2012 Domoto ..... D28/36  
2005/0150509 A1 \* 7/2005 Gueret ..... A46B 9/021  
132/217  
2013/0017009 A1 \* 1/2013 Cho ..... A45D 40/265  
401/2  
2013/0098387 A1 \* 4/2013 Shimizu ..... A45D 1/18  
132/217  
2013/0186426 A1 \* 7/2013 Caulier ..... A45D 2/48  
132/320  
2017/0360177 A1 \* 12/2017 Sanchez ..... A45D 2/48  
2019/0320778 A1 \* 10/2019 Moon ..... A45D 2/48

**DESCRIPTION**

FIG. 1 is a perspective view of an electric eyelash curler showing my new design;  
FIG. 2 is a front elevational view thereof;  
FIG. 3 is a rear elevational view thereof;  
FIG. 4 is a left side elevational view thereof;  
FIG. 5 is a right side elevational view thereof;  
FIG. 6 is a top plan view thereof;  
FIG. 7 is a bottom plan view thereof; and,  
FIG. 8 is another perspective view thereof.  
The broken lines shown in the figures are to show environment and form no part of the claimed design.

**1 Claim, 8 Drawing Sheets**



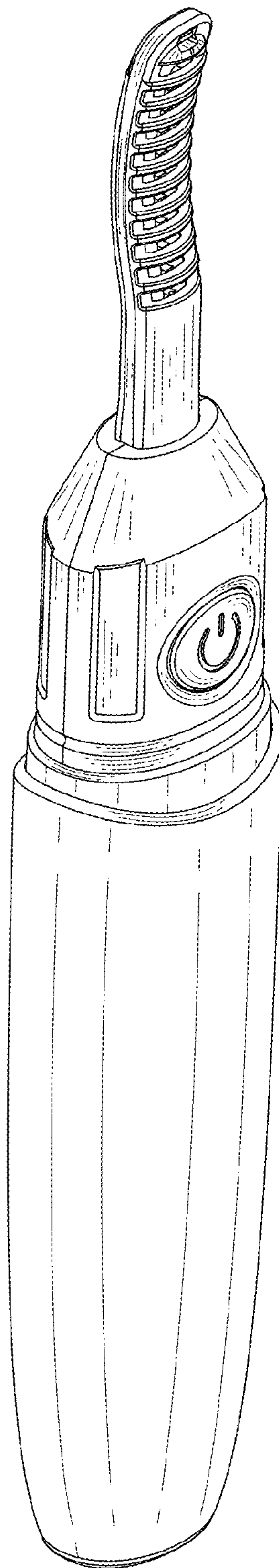


FIG.1

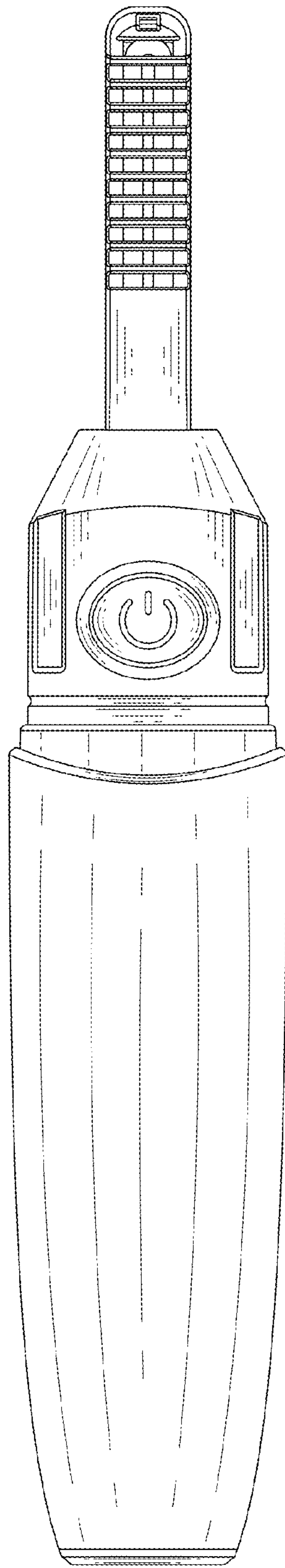


FIG.2

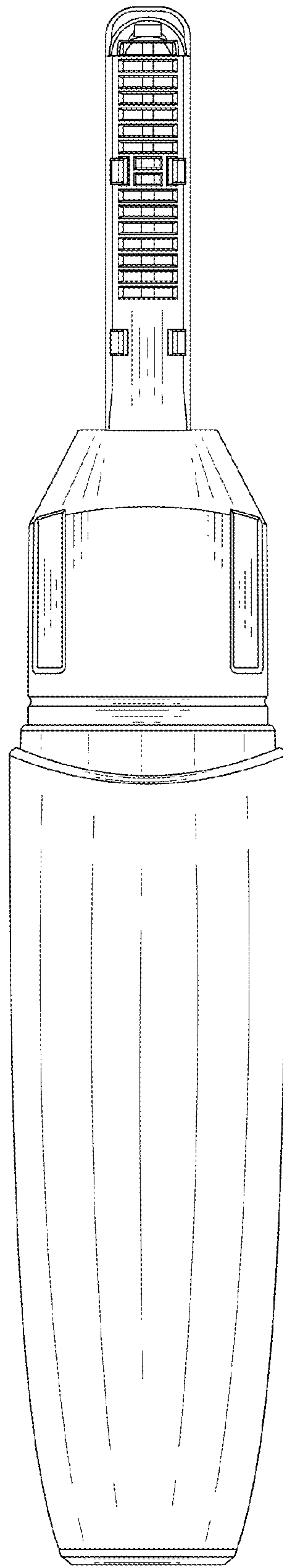


FIG.3

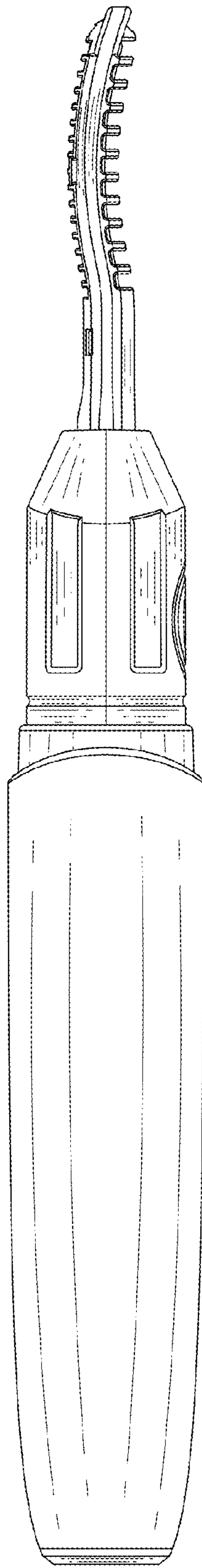


FIG.4

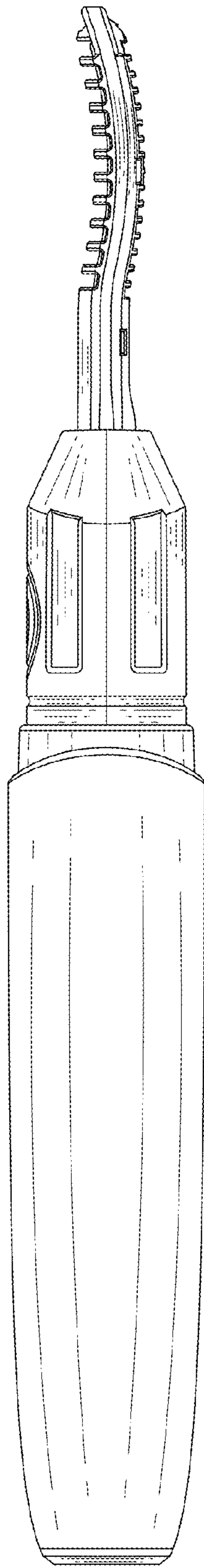


FIG.5

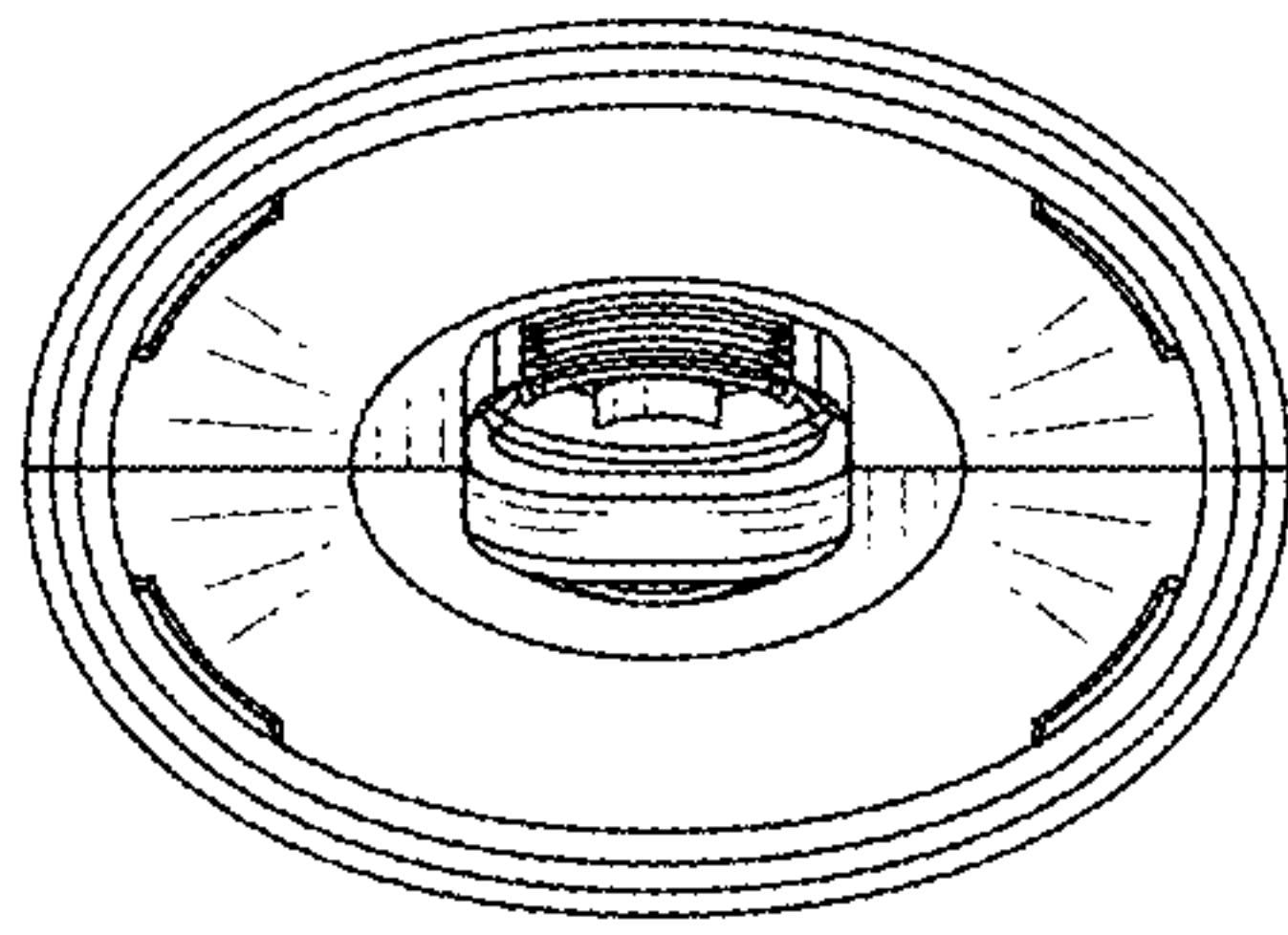


FIG.6

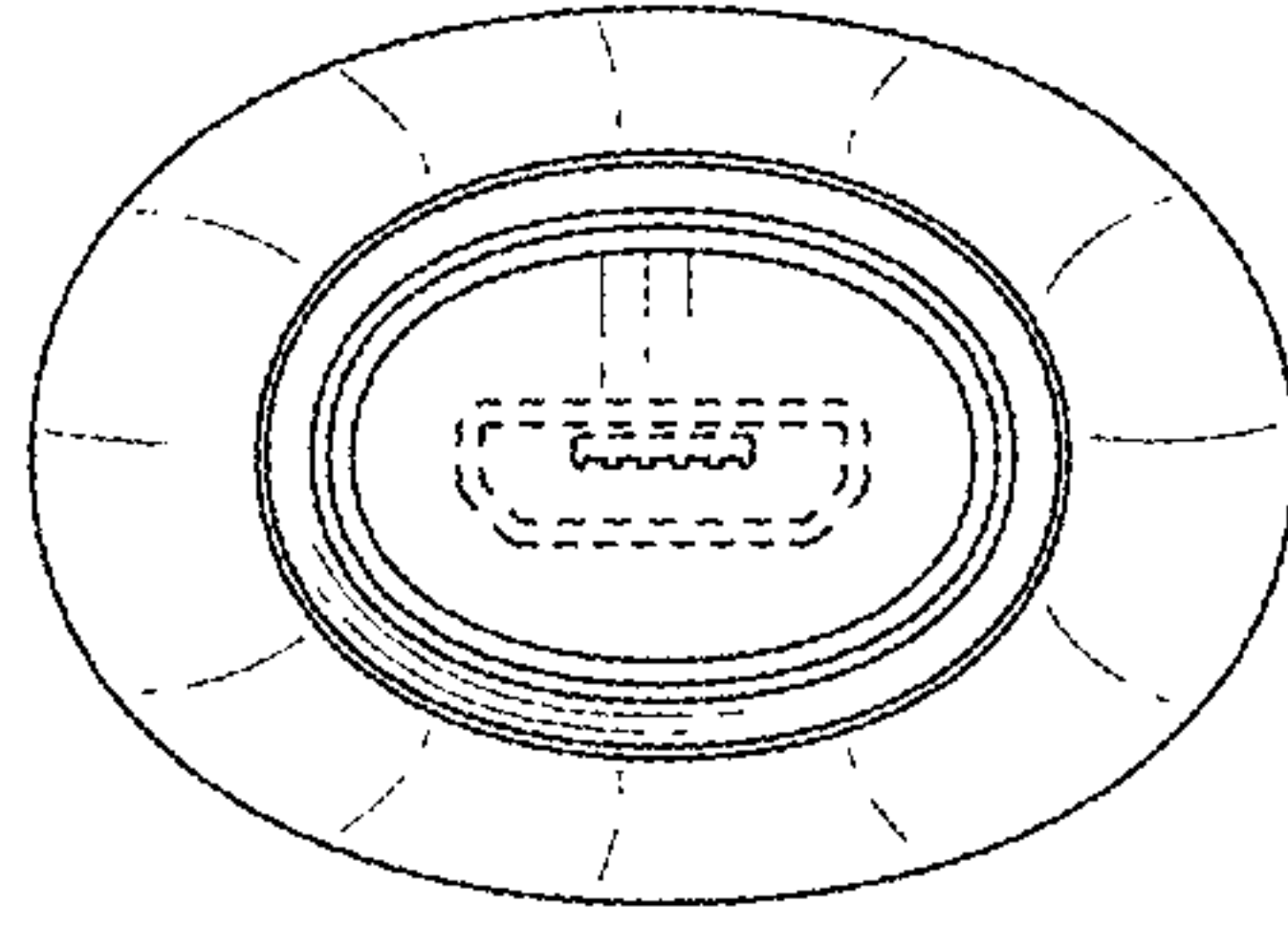


FIG. 7



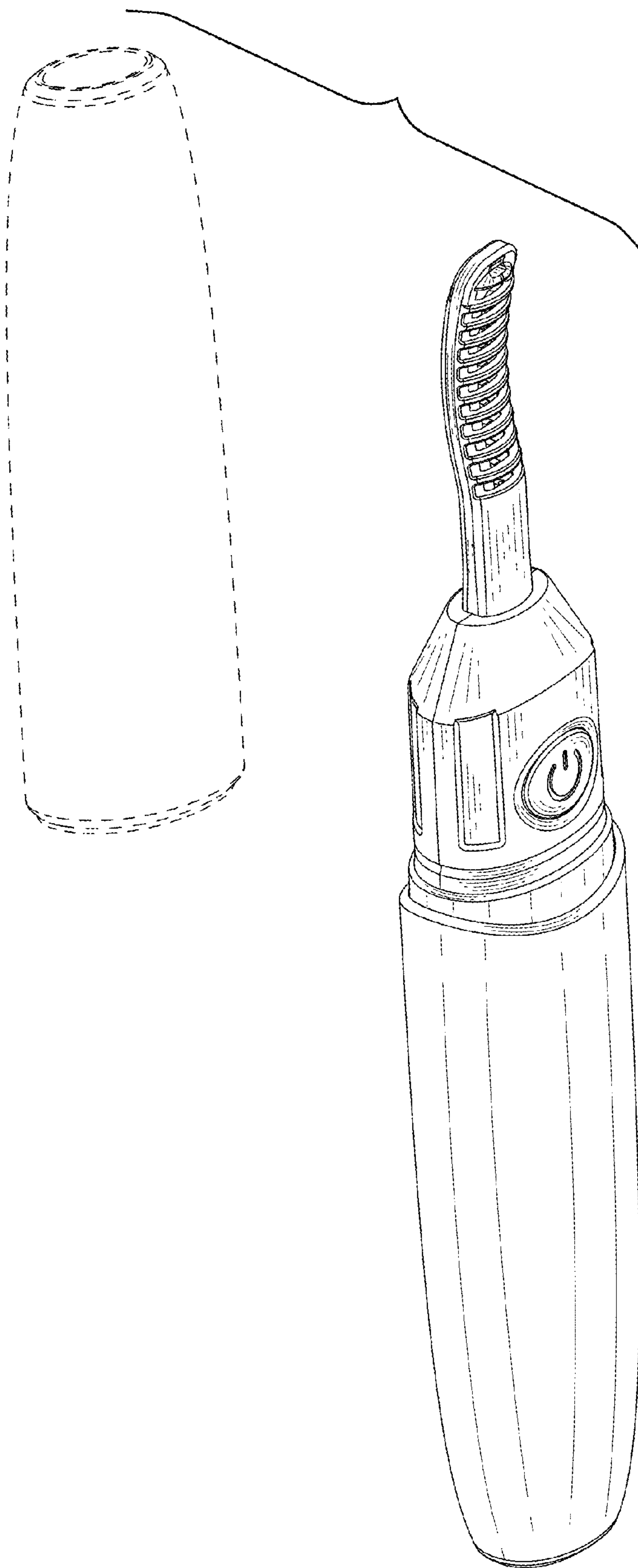


FIG.8