



US00D919884S

(12) **United States Design Patent**  
**Huang**

(10) **Patent No.:** **US D919,884 S**

(45) **Date of Patent:** **\*\* May 18, 2021**

(54) **HAIR DRYER**

(71) Applicant: **Guangdong Huanengda Electrical appliances Co., LTD., Jieyang (CN)**

(72) Inventor: **Huaqun Huang, Jieyang (CN)**

(73) Assignee: **Guangdong Huanengda Electrical appliances Co., LTD., Jieyang (CN)**

(\*\*) Term: **15 Years**

(21) Appl. No.: **29/701,360**

(22) Filed: **Aug. 11, 2019**

(30) **Foreign Application Priority Data**

Mar. 19, 2019 (CN) ..... 201930114431.4

(51) **LOC (13) Cl.** ..... **28-03**

(52) **U.S. Cl.**  
USPC ..... **D28/13**

(58) **Field of Classification Search**  
USPC ..... D28/12-19  
CPC ..... A45D 20/04; A45D 20/06; A45D 20/08;  
A45D 20/10; A45D 20/128  
See application file for complete search history.

(56) **References Cited**

**U.S. PATENT DOCUMENTS**

D536,482 S \* 2/2007 Koenemann ..... D28/13  
D546,501 S \* 7/2007 Fukasawa ..... D28/13

D670,026 S \* 10/2012 Hong ..... D28/13  
D676,195 S \* 2/2013 Julemont ..... D28/13  
D710,541 S \* 8/2014 Miyaji ..... A45D 20/12  
D28/13  
D788,978 S \* 6/2017 Kim ..... D28/13  
D850,000 S \* 5/2019 Chen ..... D28/13  
D861,246 S \* 9/2019 Hsu ..... D28/13  
D867,658 S \* 11/2019 Huang ..... D28/13

\* cited by examiner

*Primary Examiner* — Zenia I Bennett

(74) *Attorney, Agent, or Firm* — Dragon Sun Law Firm, PC; Jinggao Li, Esq.

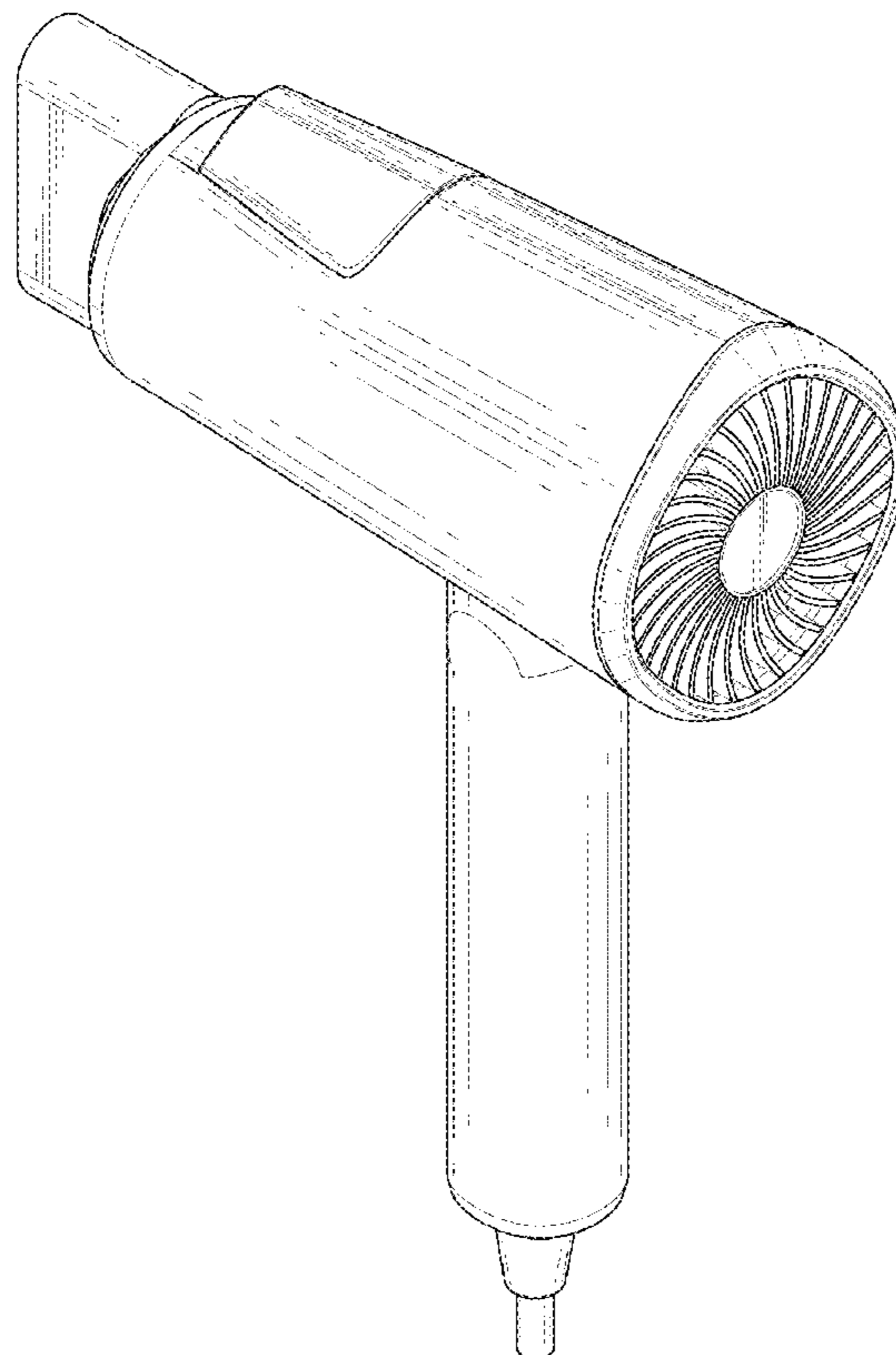
(57) **CLAIM**

The ornamental design for a hair dryer, as shown and described.

**DESCRIPTION**

FIG. 1 is an isolated view of a hair dryer showing my new design;  
FIG. 2 is a top view thereof;  
FIG. 3 is a bottom view thereof;  
FIG. 4 is a back view thereof;  
FIG. 5 is a front view thereof;  
FIG. 6 is a left view thereof; and,  
FIG. 7 is a right view thereof.  
The broken lines shown in the figures depict portions of the hair dryer that form no part of the claimed design.

**1 Claim, 7 Drawing Sheets**



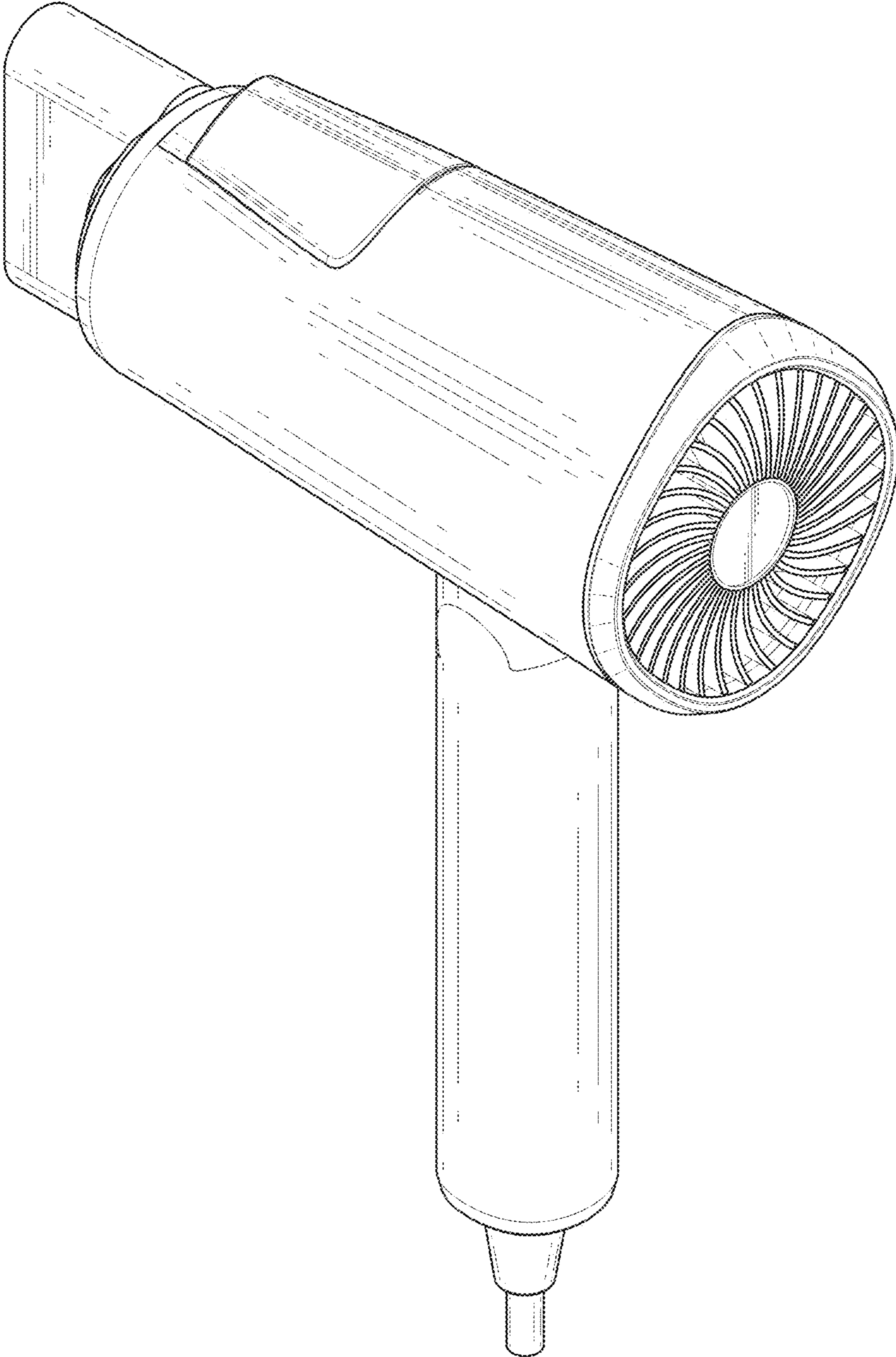


FIG. 1

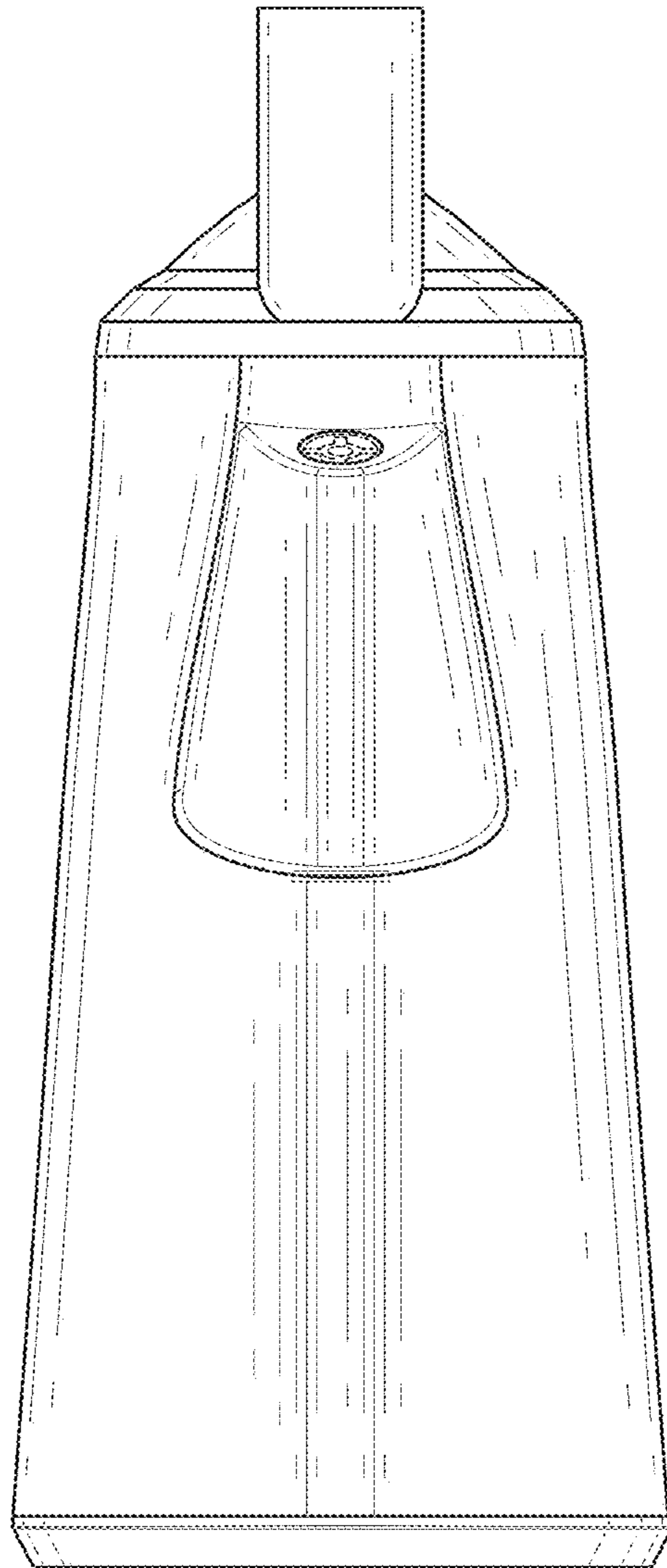


FIG. 2

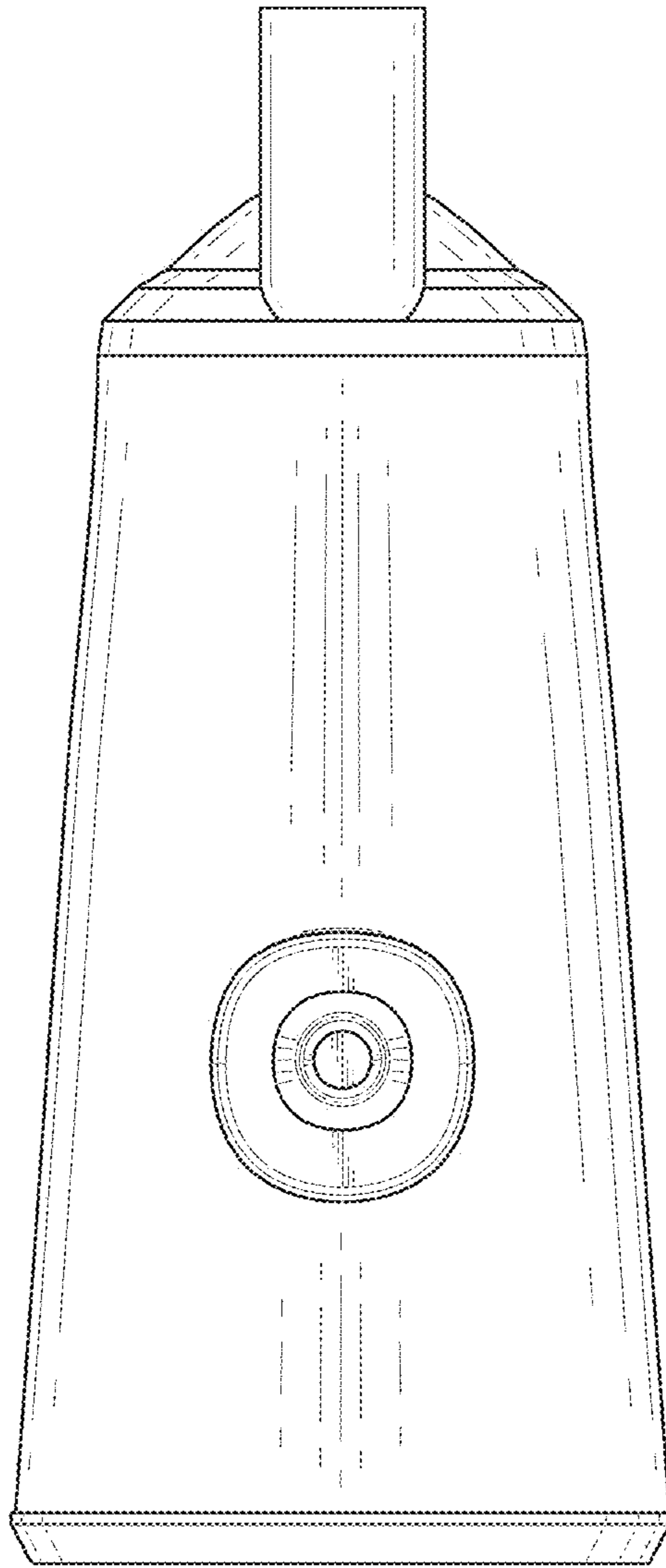


FIG. 3

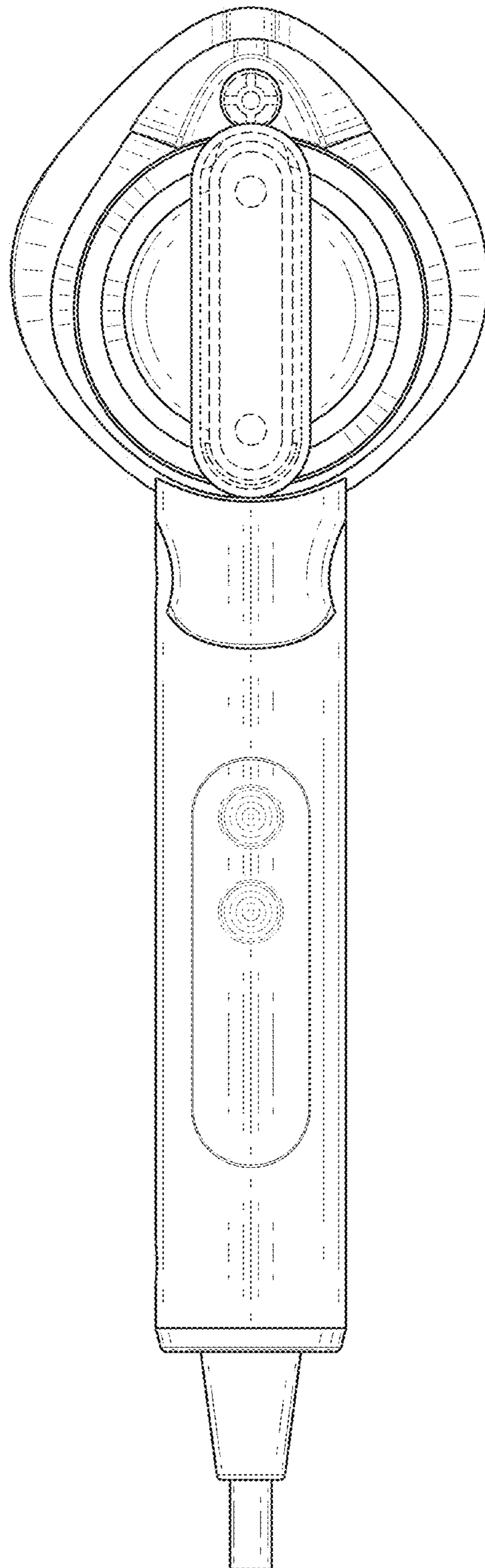


FIG. 4



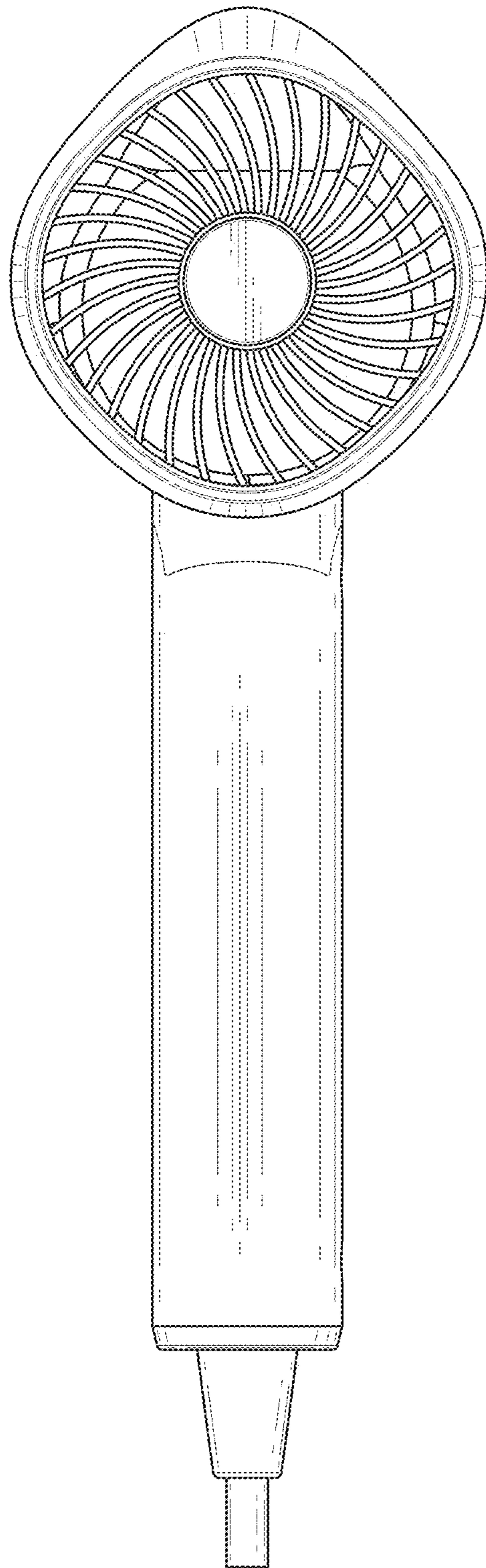


FIG. 5

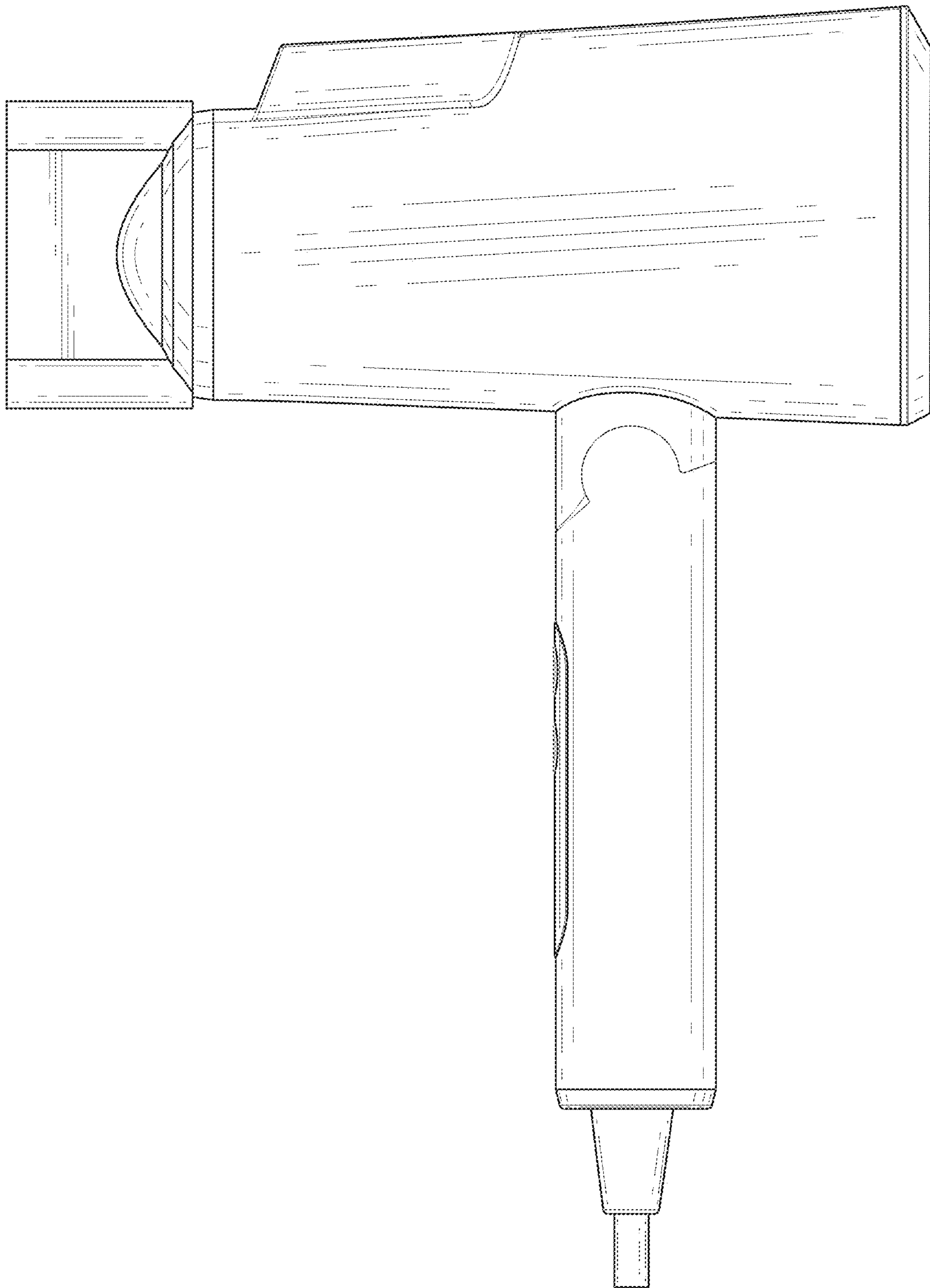


FIG. 6

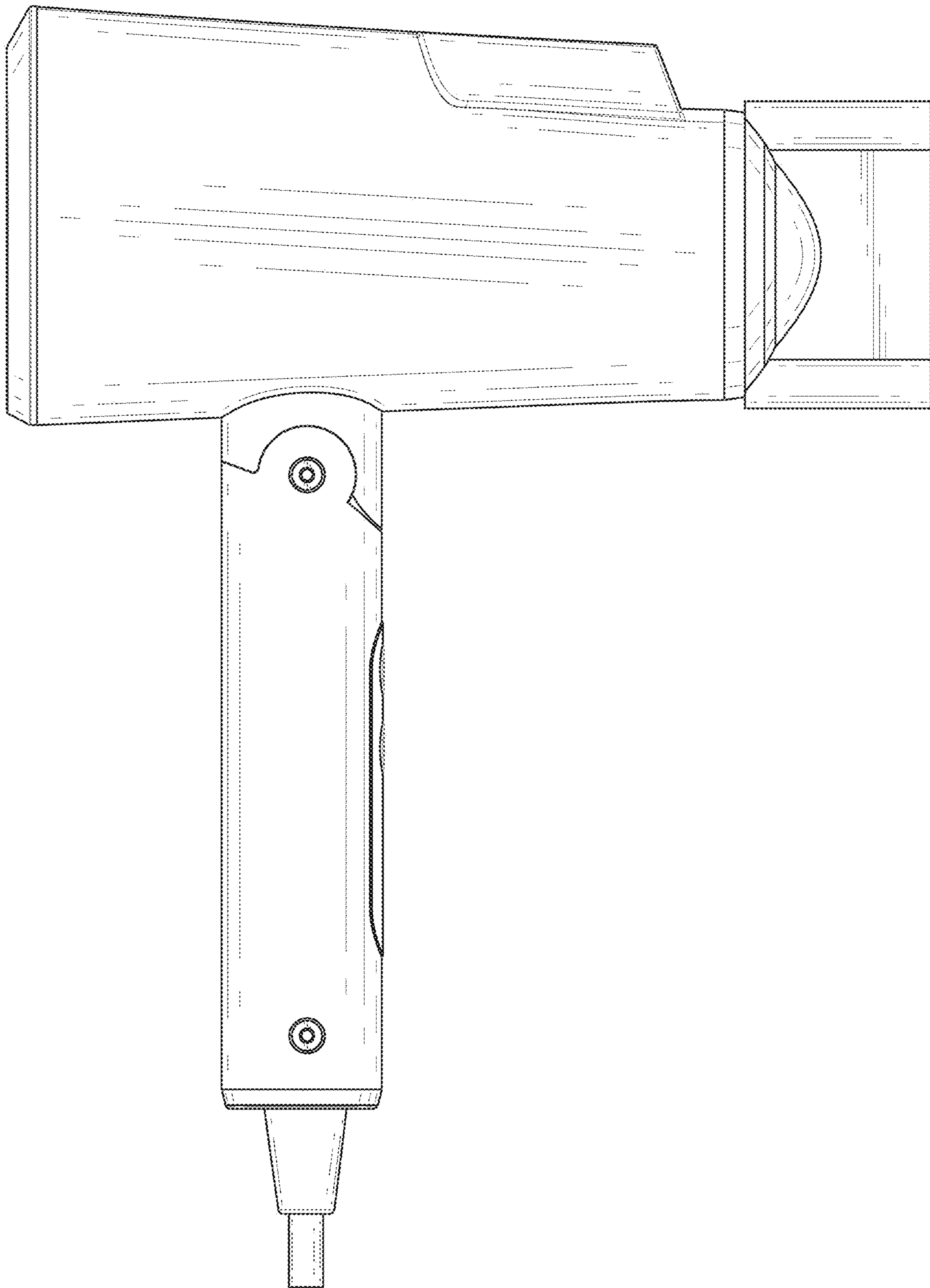


FIG. 7