



US00D919878S

(12) **United States Design Patent** (10) **Patent No.:** **US D919,878 S**
Gao et al. (45) **Date of Patent:** **** May 18, 2021**

(54) SMOKING DEVICE	D835,337 S * 12/2018 Beer A24F 40/00 D27/162
(71) Applicant: CHINA TOBACCO HUBEI INDUSTRIAL CORPORATION LIMITED , Hubei (CN)	D853,632 S * 7/2019 Qiu D27/101 D855,877 S * 8/2019 Folkerts D27/162 D874,718 S * 2/2020 Qiu D27/162 D884,267 S * 5/2020 Wang D27/162 D892,397 S * 8/2020 Li D27/162
(72) Inventors: Qiang Gao , Hubei (CN); Huachen Liu , Hubei (CN); Yikun Chen , Hubei (CN)	D901,756 S * 11/2020 Chen D27/101 D901,761 S * 11/2020 Zhu D27/162 D902,475 S * 11/2020 Liu D27/162
(73) Assignee: CHINA TOBACCO HUBEI INDUSTRIAL CORPORATION LIMITED , Hubei (CN)	D903,191 S * 11/2020 Li D27/101 D905,329 S * 12/2020 Wang D27/162

(**) Term: **15 Years**
(21) Appl. No.: **29/696,520**
(22) Filed: **Jun. 28, 2019**

(30) **Foreign Application Priority Data**
Dec. 29, 2018 (CN) 201830768997.4
(51) **LOC (13) Cl.** **27-02**
(52) **U.S. Cl.**
USPC **D27/162**
(58) **Field of Classification Search**
USPC D27/162, 100, 101, 163–165, 172,
D27/174–176, 183, 185–194; D24/110,
D24/110.5
CPC A24F 47/002; A24F 47/006; A24F 47/008;
A61M 15/00; A61M 15/06
See application file for complete search history.

(56) **References Cited**
U.S. PATENT DOCUMENTS
D664,636 S * 7/2012 Robinson D23/360
D737,419 S * 8/2015 Emarlou D23/360
D808,071 S * 1/2018 Folkerts D27/101
D818,636 S * 5/2018 Qiu D27/101
D829,371 S * 9/2018 Durand D27/101

OTHER PUBLICATIONS

Heat not Burn Device By: PodnMod (Jan. 17, 2020) <https://www.podnmod.com/products/iqos-duo-3> (Jan. 17, 2020).*

* cited by examiner

Primary Examiner — Marissa J Cash
Assistant Examiner — Rebecca Tsehaye

(74) *Attorney, Agent, or Firm* — Olive Law Group, PLLC

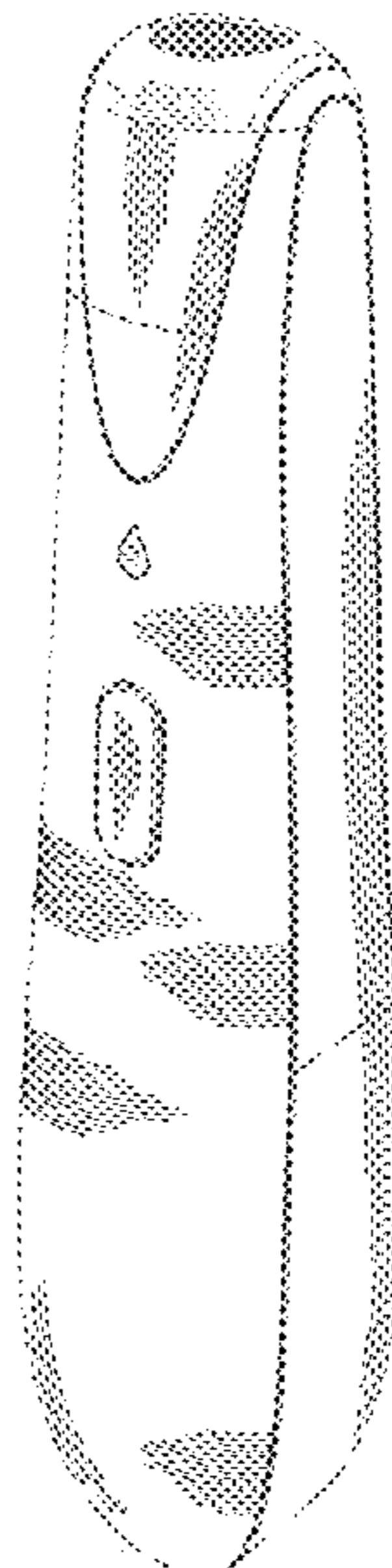
(57) **CLAIM**

The ornamental design for a smoking device, as shown and described.

DESCRIPTION

FIG. 1 is a front perspective view of a smoking device showing an embodiments of our new design;
FIG. 2 is a front view thereof;
FIG. 3 is a rear view thereof;
FIG. 4 is a top view thereof;
FIG. 5 is a bottom view thereof;
FIG. 6 is a left side view thereof; and,
FIG. 7 is a right side view thereof.
The broken lines represent unclaimed portions of the smoking device and do not form a portion of the claimed design.

1 Claim, 6 Drawing Sheets



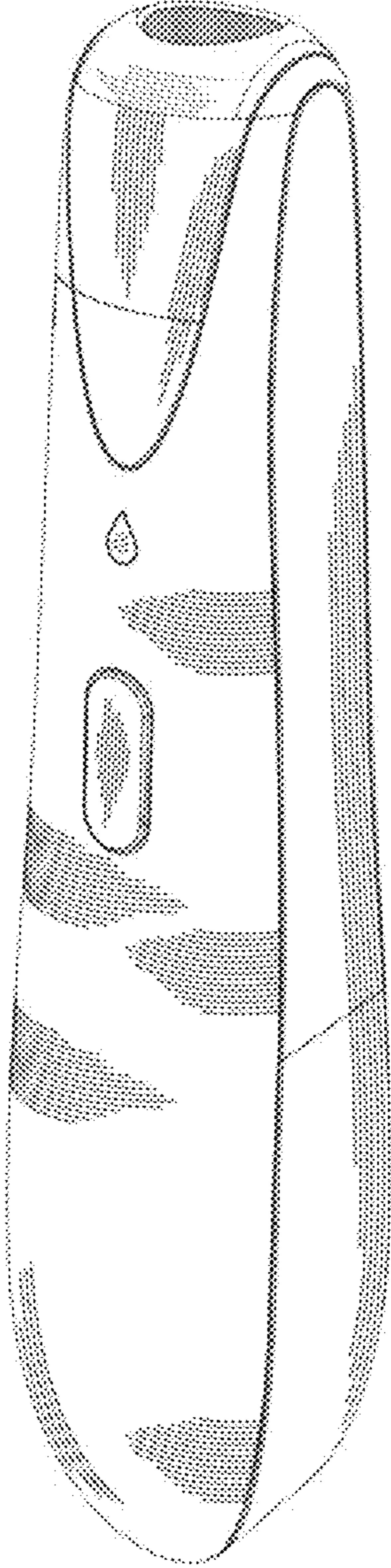


FIG. 1

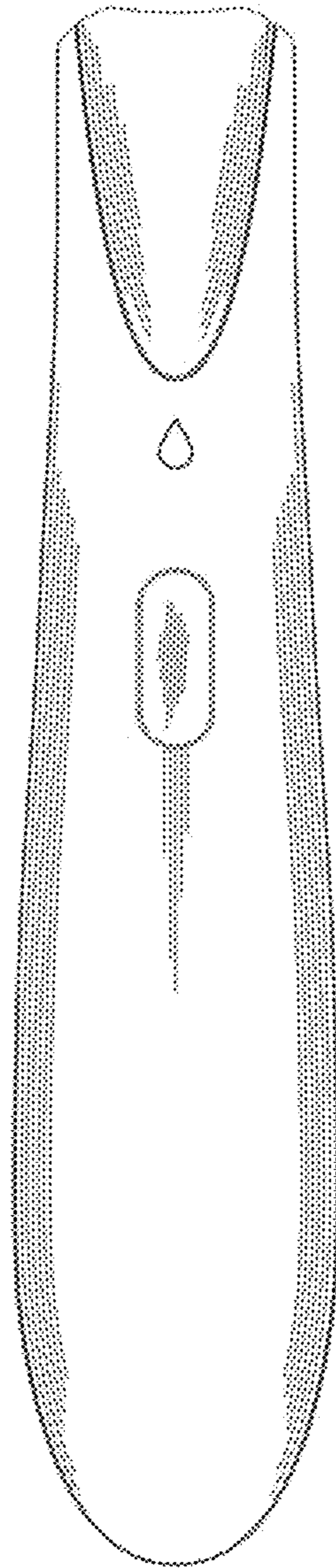


FIG. 2

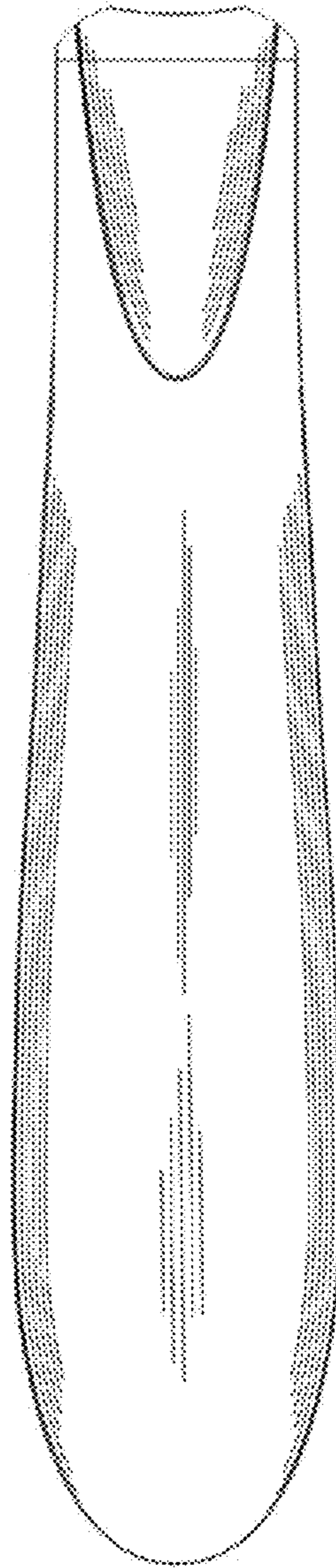


FIG. 3

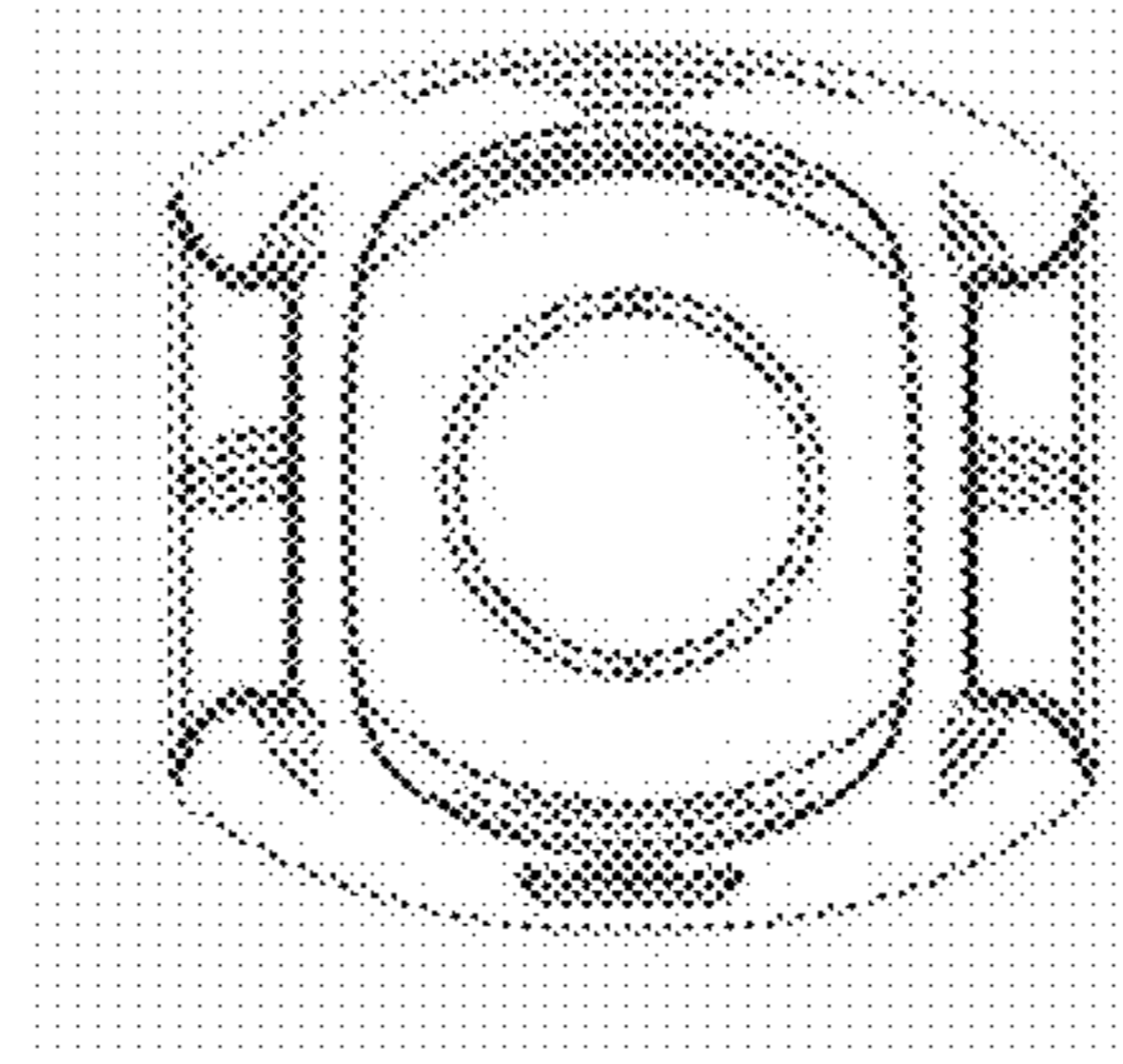


FIG. 4

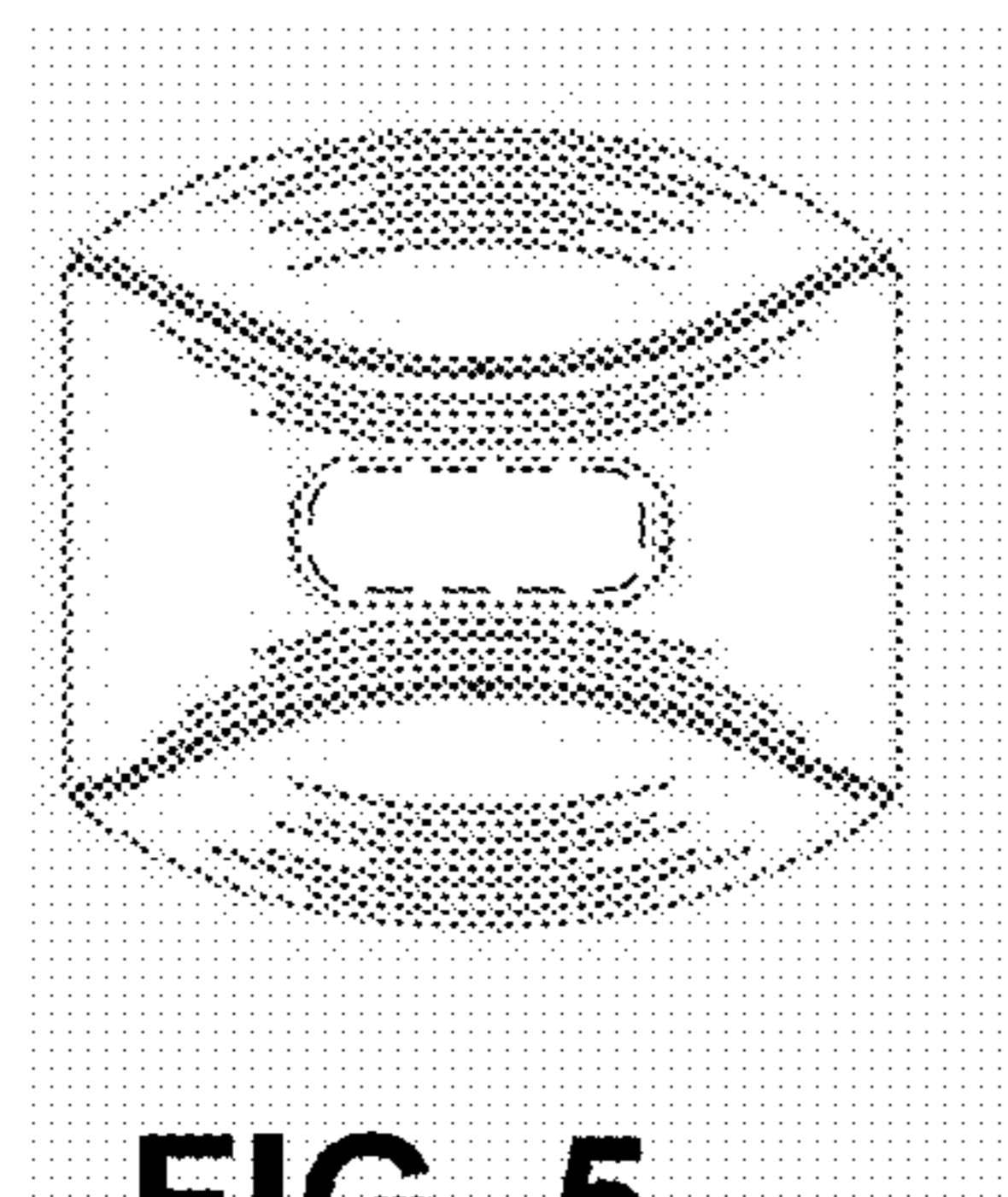


FIG. 5

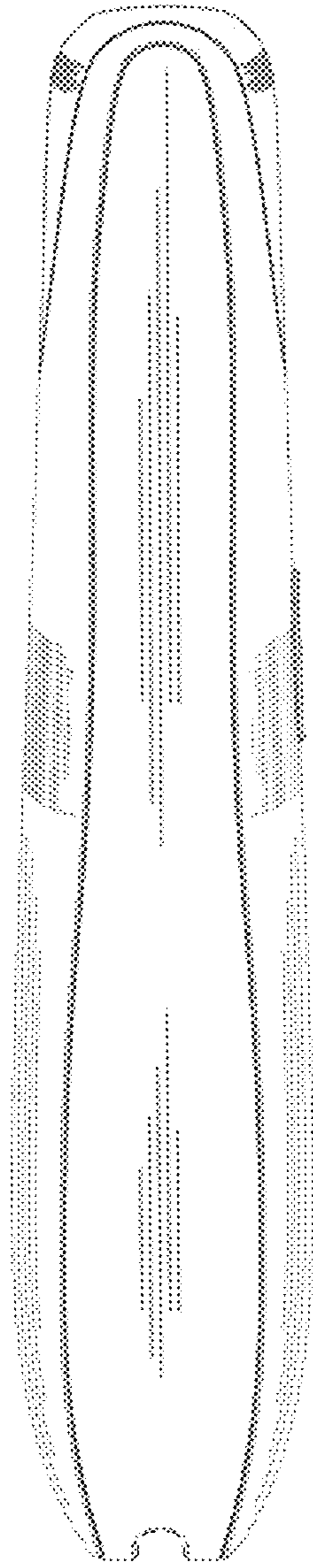


FIG. 6

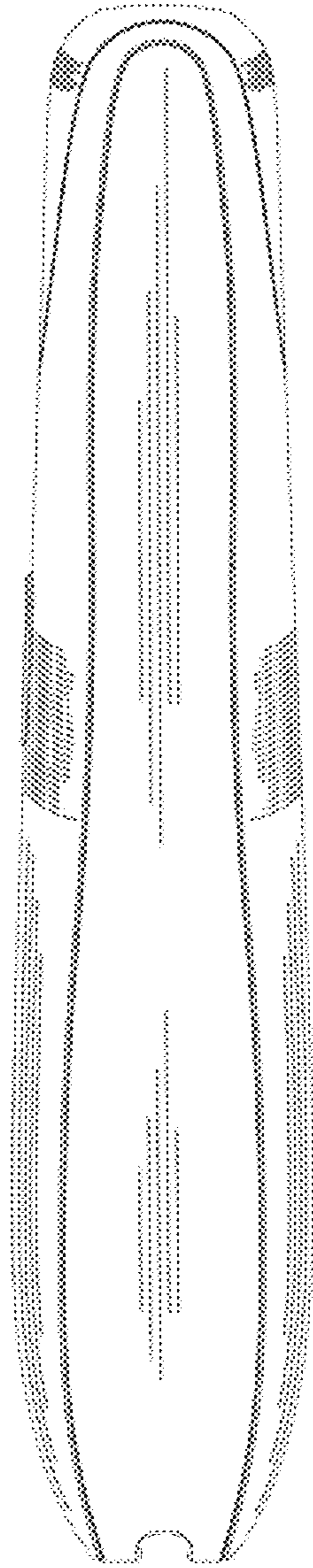


FIG. 7