



US00D919877S

(12) **United States Design Patent** (10) **Patent No.:** **US D919,877 S**
Klus (45) **Date of Patent:** **** May 18, 2021**

(54) **EXTRUSION FOR LED BASED LIGHTING APPARATUS**
(71) Applicant: **Sylwester Klus**, Kamionka (PL)
(72) Inventor: **Sylwester Klus**, Kamionka (PL)
(**) Term: **15 Years**
(21) Appl. No.: **29/711,236**
(22) Filed: **Oct. 29, 2019**
(51) **LOC (13) Cl.** **26-05**
(52) **U.S. Cl.**
USPC **D26/138**
(58) **Field of Classification Search**
USPC D26/76, 78, 79, 80, 81, 82, 83, 85, 86,
D26/88, 90, 113, 118, 119, 120, 121, 122,
D26/138, 139, 140, 141, 142
CPC F21S 2/00; F21S 4/00; F21S 4/003; F21S
4/005; F21S 4/006; F21S 4/007; F21S
4/008; F21S 6/00; F21S 8/00; F21S
8/024; F21S 8/026; F21S 8/031; F21S
8/033; F21S 8/035-037; F21S 8/04; F21S
8/043; F21S 8/063
See application file for complete search history.

(56) **References Cited**
U.S. PATENT DOCUMENTS
D243,246 S * 2/1977 England D13/102
D294,867 S * 3/1988 Meshulam D25/119
5,040,347 A * 8/1991 Valvis E06B 3/68
52/204.591
D401,005 S * 11/1998 Ludbrook D26/138
6,074,074 A * 6/2000 Marcus B29C 45/14655
362/240
D445,211 S * 7/2001 Baker D25/124
6,929,382 B2 * 8/2005 Kuisma F21S 8/04
362/219

7,347,606 B1 * 3/2008 Patten F21V 15/013
362/152
D662,255 S * 6/2012 Klu D26/138
D674,220 S * 1/2013 Kim D6/702
D693,051 S * 11/2013 Klu D26/138
D695,953 S * 12/2013 Klu D26/138
D731,110 S * 6/2015 Poppenheimer D26/120
D790,760 S * 6/2017 Klus D26/138
D818,634 S * 5/2018 Sherman D26/138
D827,157 S * 8/2018 Schuit D25/125
D845,516 S * 4/2019 Yuan D25/121
D869,075 S * 12/2019 Trzciel ski D26/138
D876,001 S * 2/2020 Sugiyama D26/138
D887,079 S * 6/2020 Rogers H05B 45/20
D26/138
2011/0222270 A1 * 9/2011 Porciatti F24F 3/056
362/147
2018/0031217 A1 * 2/2018 Tuchler F21V 23/02
2019/0032873 A1 * 1/2019 Van Compel F21S 8/026

* cited by examiner
Primary Examiner — Michael C Stout
Assistant Examiner — Benjamin M Weeks
(74) *Attorney, Agent, or Firm* — Mark Terry

(57) **CLAIM**
The ornamental design for an extrusion for LED based lighting apparatus, as shown and described.

DESCRIPTION
FIG. 1 is a bottom perspective view of an extrusion for LED based lighting apparatus, showing the new design;
FIG. 2 is a top perspective view thereof;
FIG. 3 is a front view thereof;
FIG. 4 is a top view thereof;
FIG. 5 is a rear view thereof; and,
FIG. 6 is a side view thereof.
The uniformly dashed lines shown in the drawings illustrate portions of the extrusion for LED based lighting apparatus which form no part of the claimed design.

1 Claim, 3 Drawing Sheets

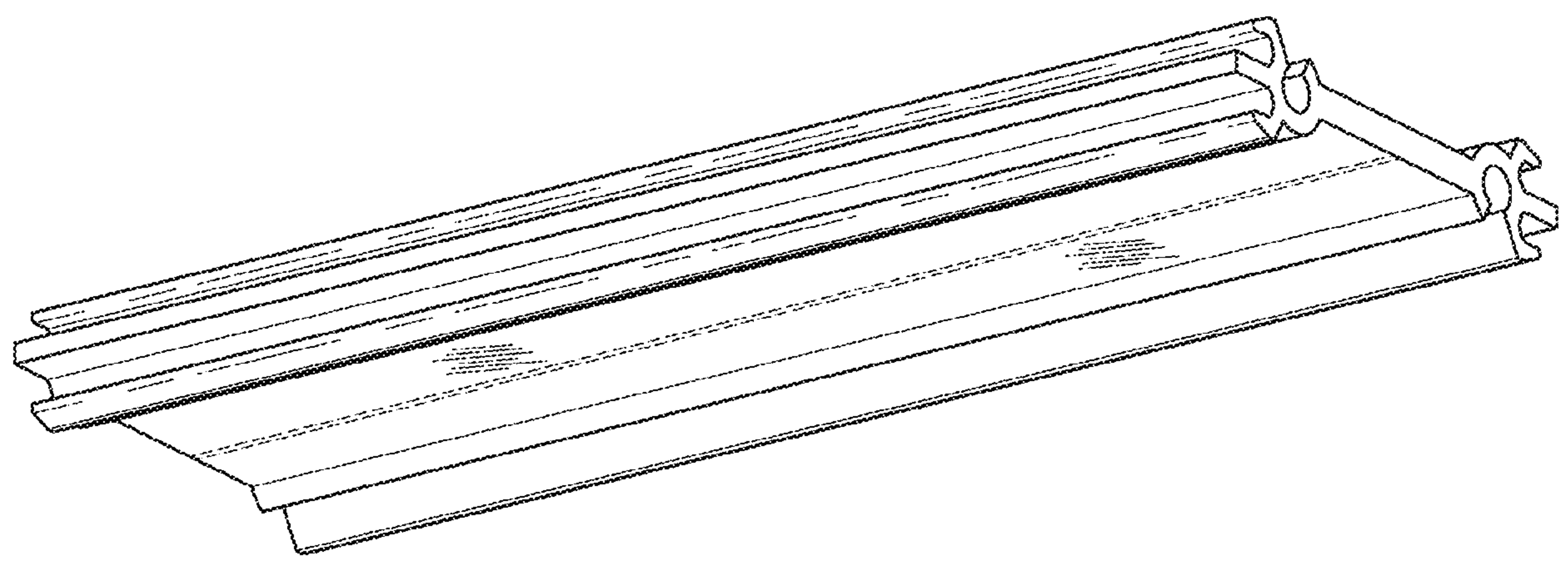


FIG. 1

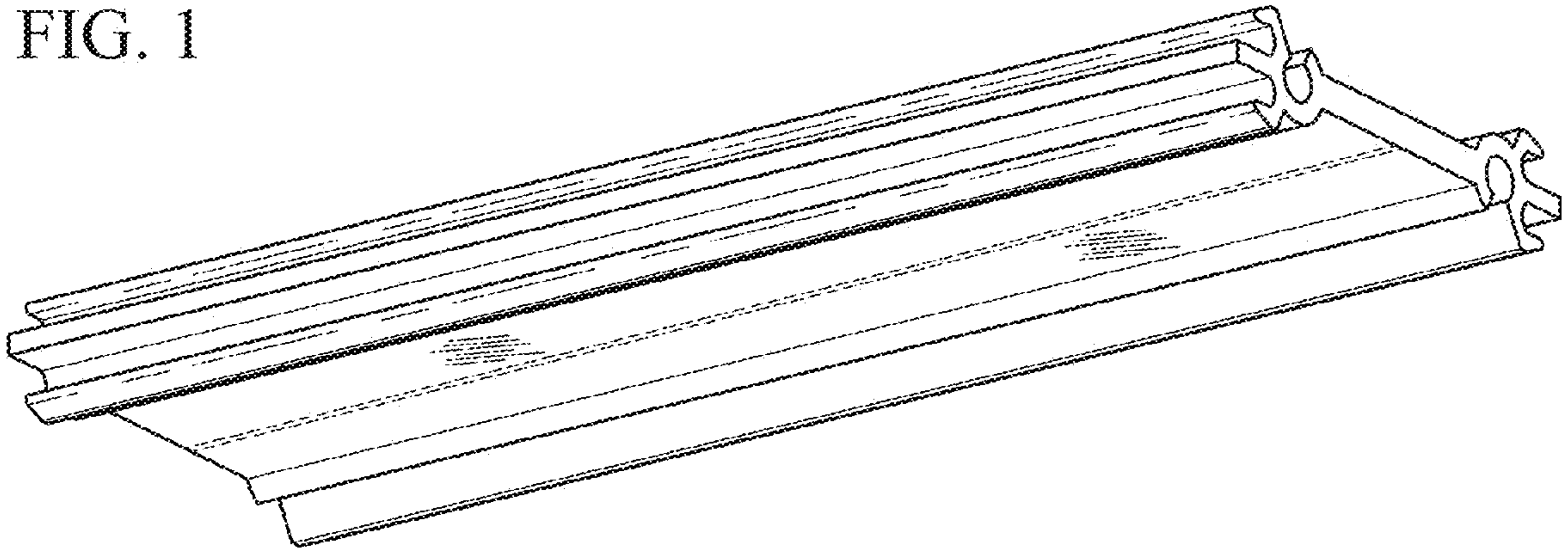


FIG. 2

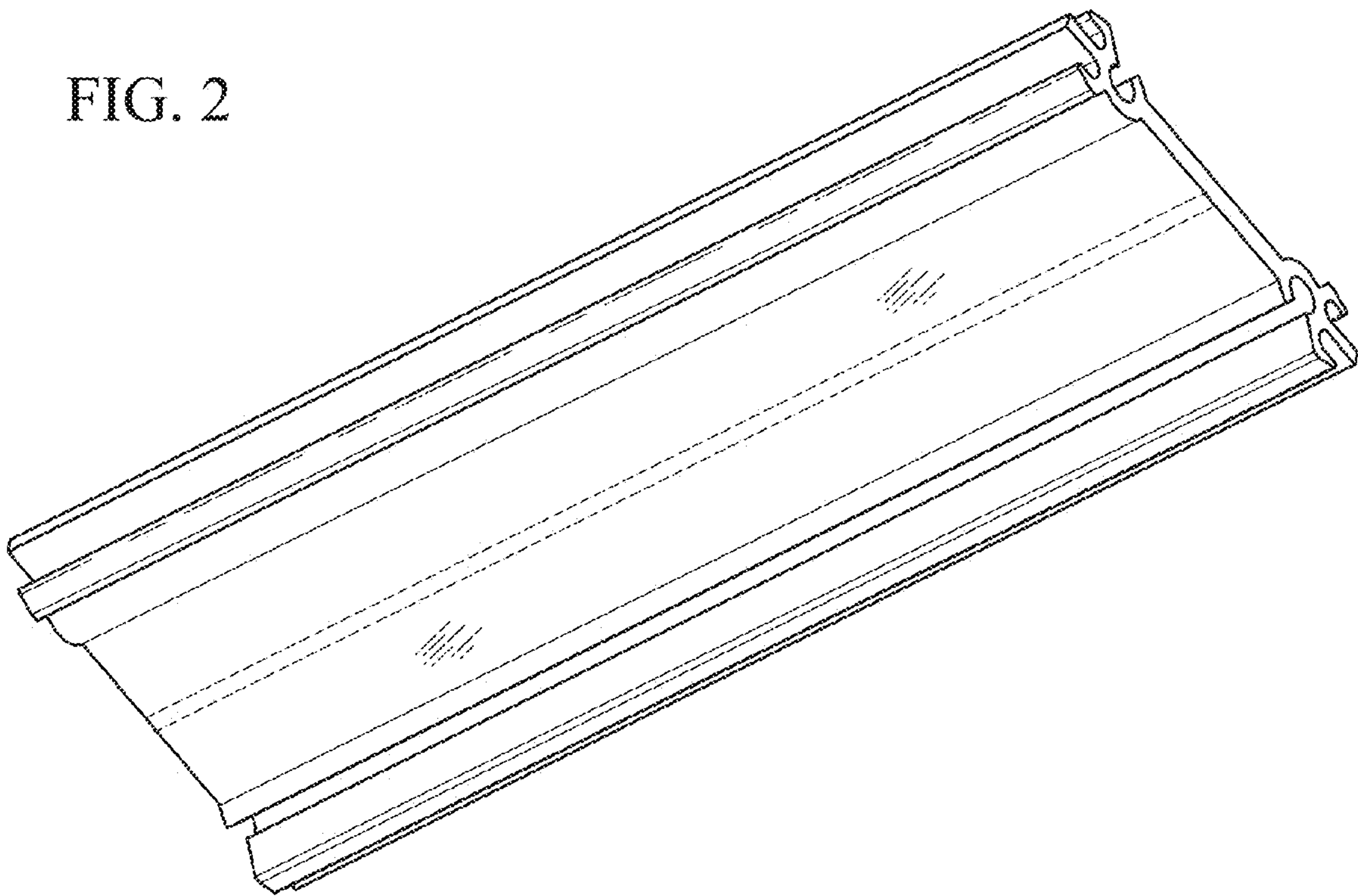


FIG. 3

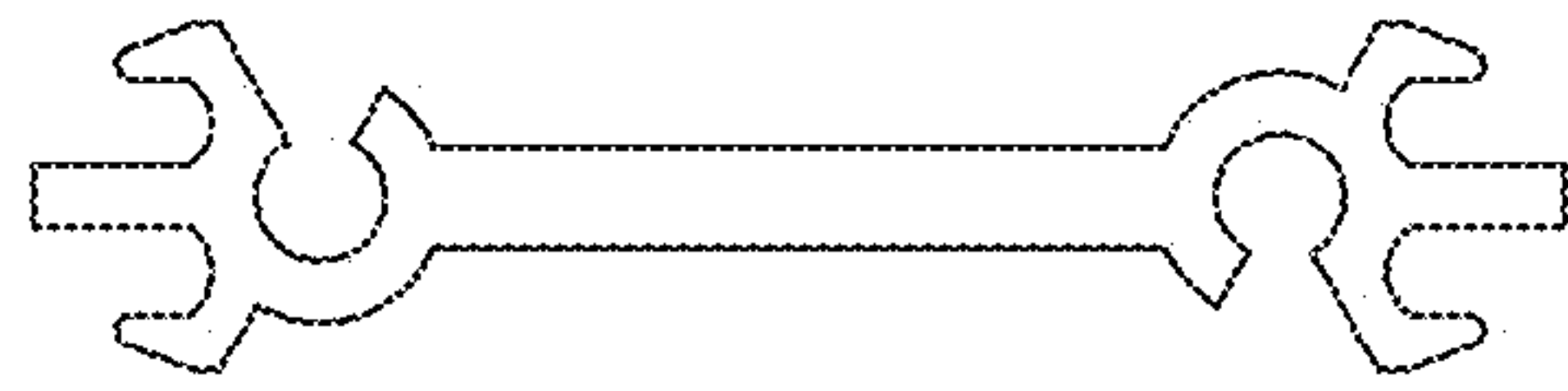


FIG. 4

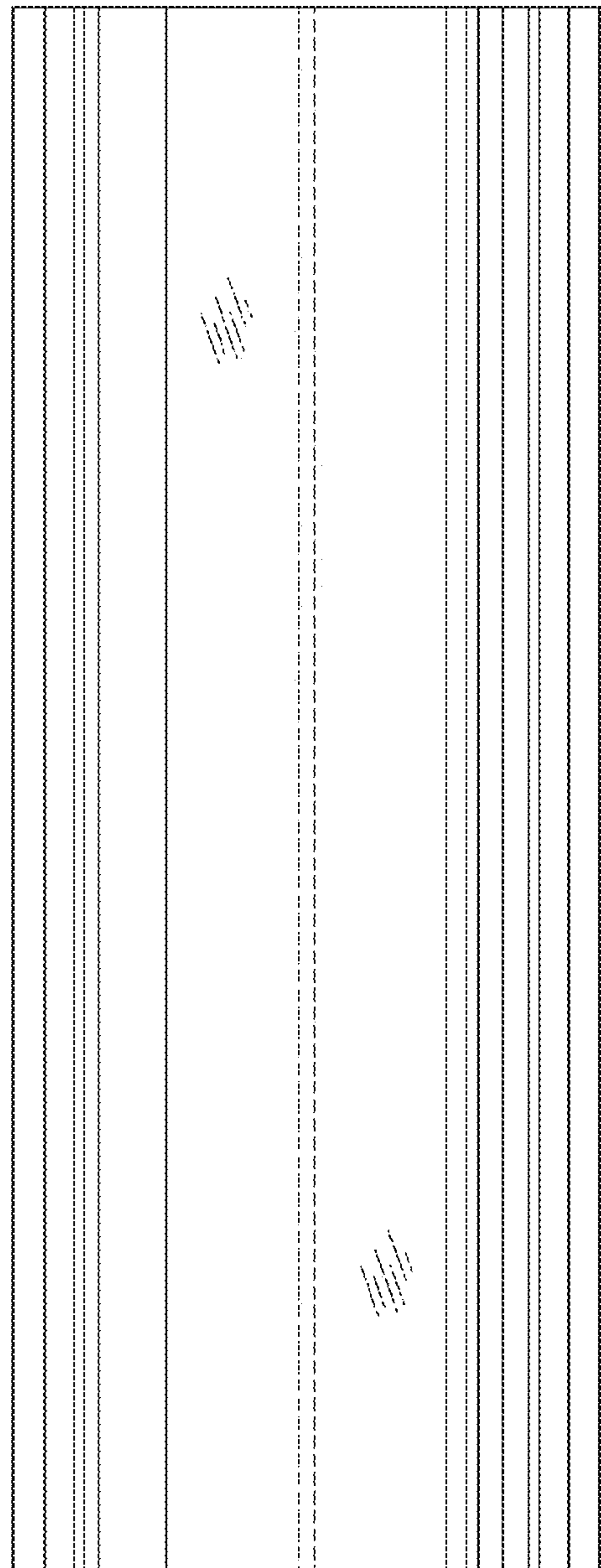


FIG. 5

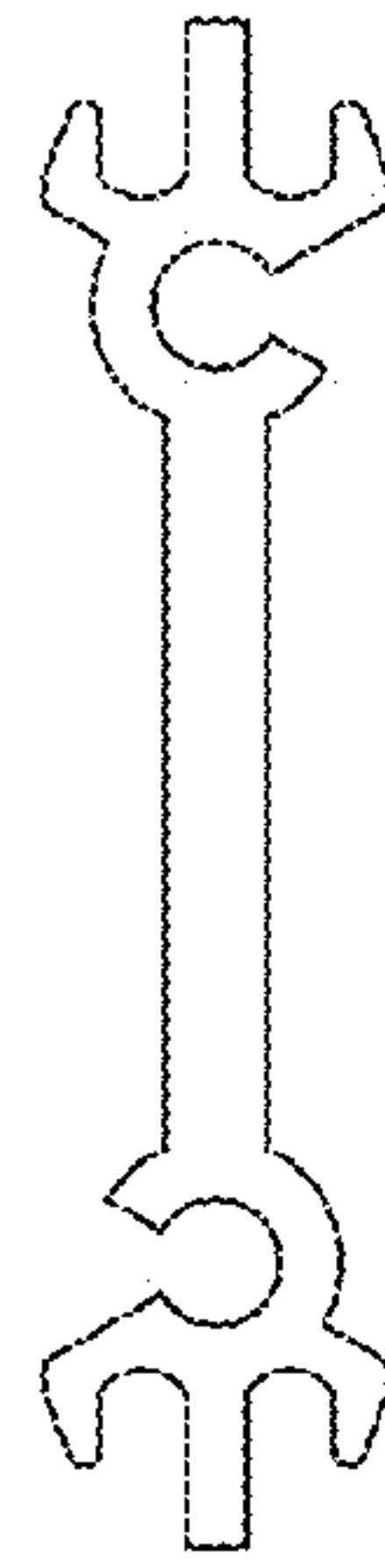


FIG. 6

