



US00D919875S

(12) **United States Design Patent** (10) **Patent No.:** **US D919,875 S**
Peng (45) **Date of Patent:** **** May 18, 2021**

(54) **STAGE LIGHTING**
(71) Applicant: **Feng Peng**, Hunan (CN)
(72) Inventor: **Feng Peng**, Hunan (CN)
(**) Term: **15 Years**
(21) Appl. No.: **29/747,696**
(22) Filed: **Aug. 25, 2020**

(51) **LOC (13) Cl.** **26-03**
(52) **U.S. Cl.**
USPC **D26/110**
(58) **Field of Classification Search**
USPC D26/93, 104, 106, 110, 112
CPC F21V 3/00; F21V 5/007; F21W 2121/00;
F21W 2131/30; F21S 6/00; F21S 10/00;
F21S 10/06
See application file for complete search history.

(56) **References Cited**

U.S. PATENT DOCUMENTS

D352,795 S 11/1994 Wu
D487,818 S 3/2004 Pu
D561,925 S * 2/2008 Levine D26/72
D567,994 S * 4/2008 Chan D26/104
D575,891 S 8/2008 Calleja
D577,458 S * 9/2008 Chan D26/104

D689,221 S * 9/2013 Isaac D26/24
D700,185 S 2/2014 Fujioka
D714,485 S * 9/2014 Johnson D26/94
D841,211 S 2/2019 Wang
D851,159 S 6/2019 Guo
D861,966 S * 10/2019 Wang D26/110
D868,875 S 12/2019 Guo
D875,994 S 2/2020 Yu
D898,271 S * 10/2020 Zheng D26/110
D900,376 S * 10/2020 Wang D26/104
D901,747 S * 11/2020 Lin D26/94

* cited by examiner

Primary Examiner — Brian N. Vinson

(57) **CLAIM**

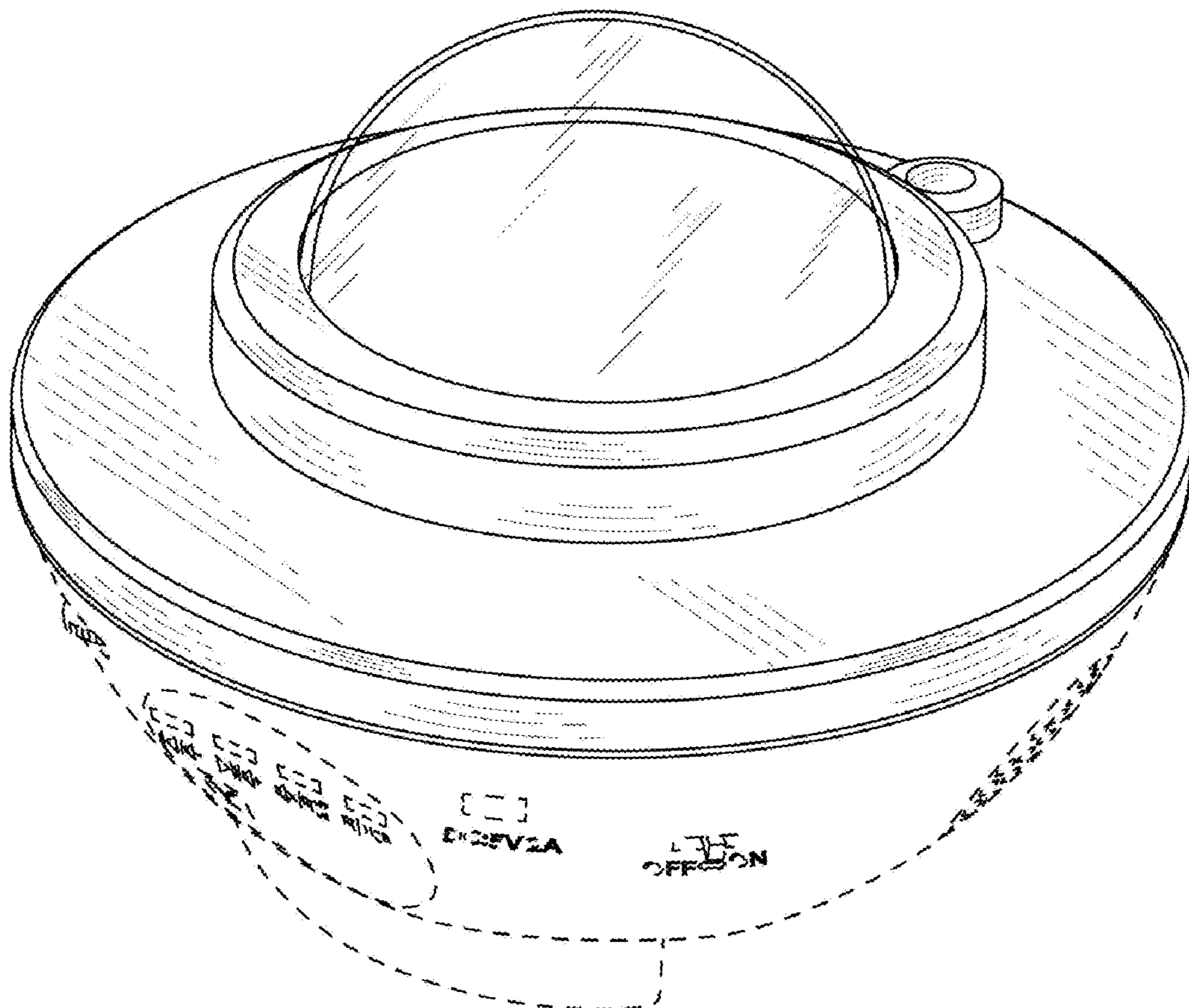
The ornamental design for a stage lighting, as shown and described.

DESCRIPTION

FIG. 1 is a perspective view of a stage lighting showing my new design;
FIG. 2 is a front elevational view thereof;
FIG. 3 is a rear elevational view thereof;
FIG. 4 is a left side elevational view thereof;
FIG. 5 is a right side elevational view thereof;
FIG. 6 is a top plan view thereof; and,
FIG. 7 is a bottom plan view thereof.

The broken lines in the drawings depict portions of the stage lighting that form no part of the claimed design.

1 Claim, 7 Drawing Sheets



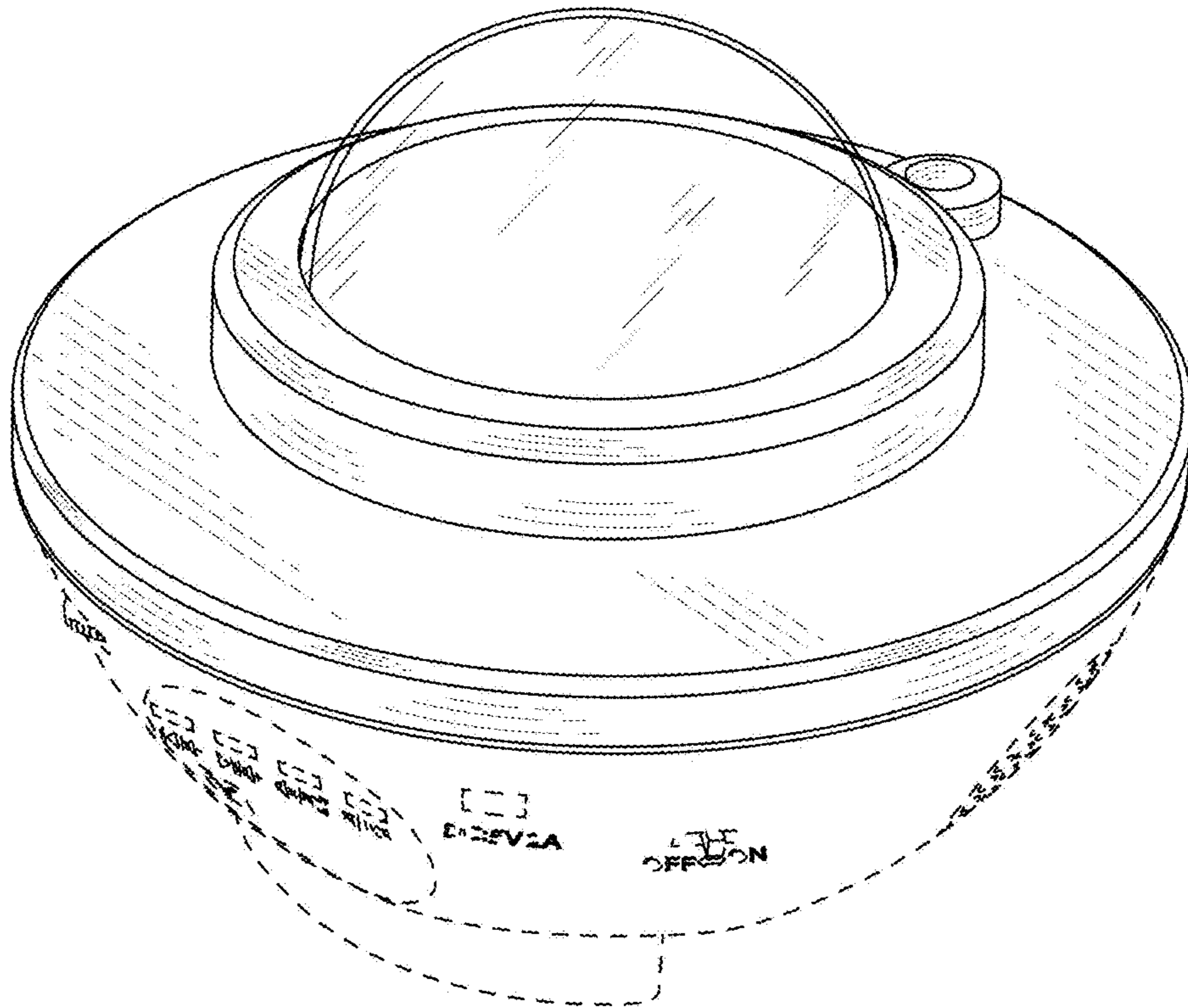


FIG. 1

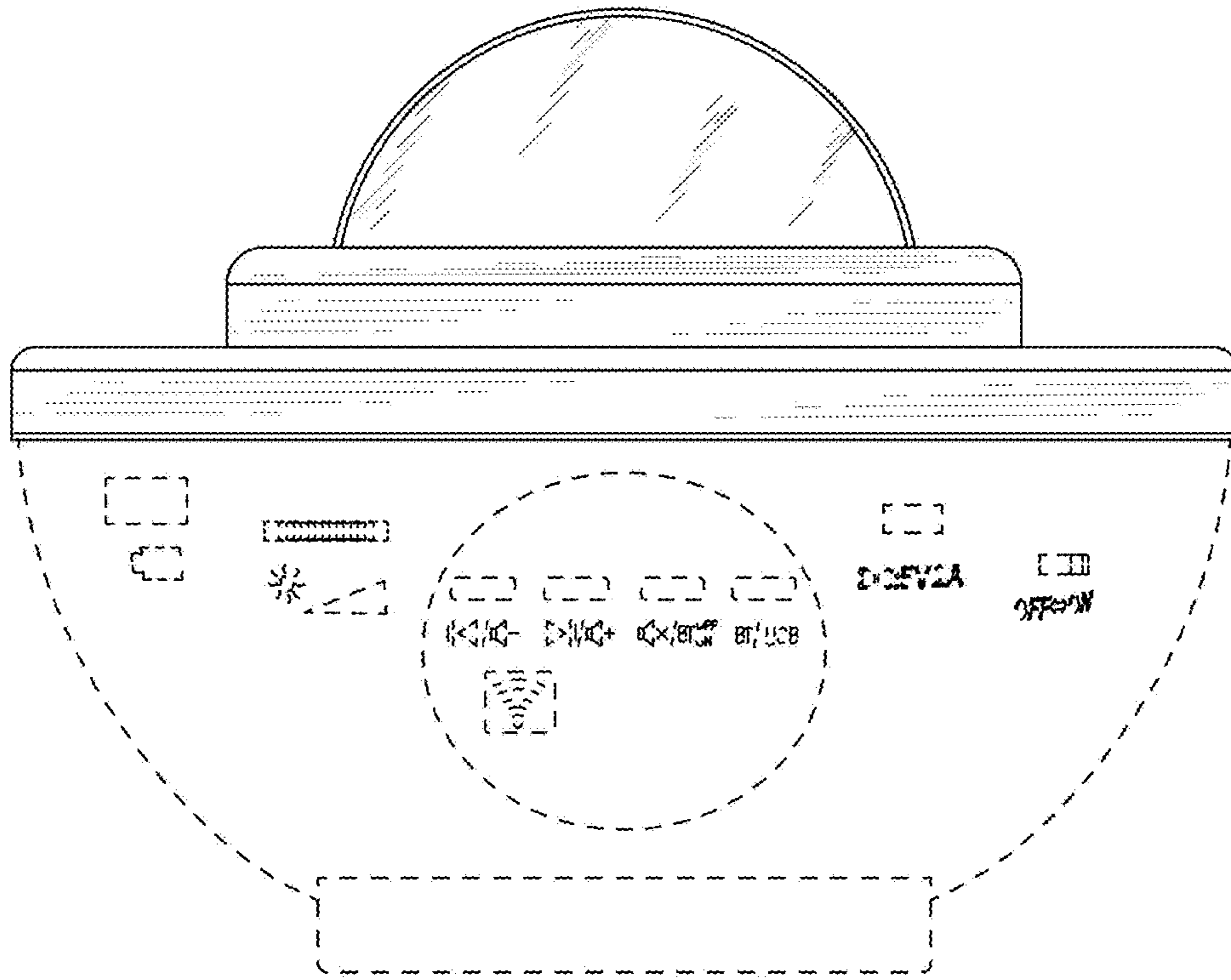


FIG. 2

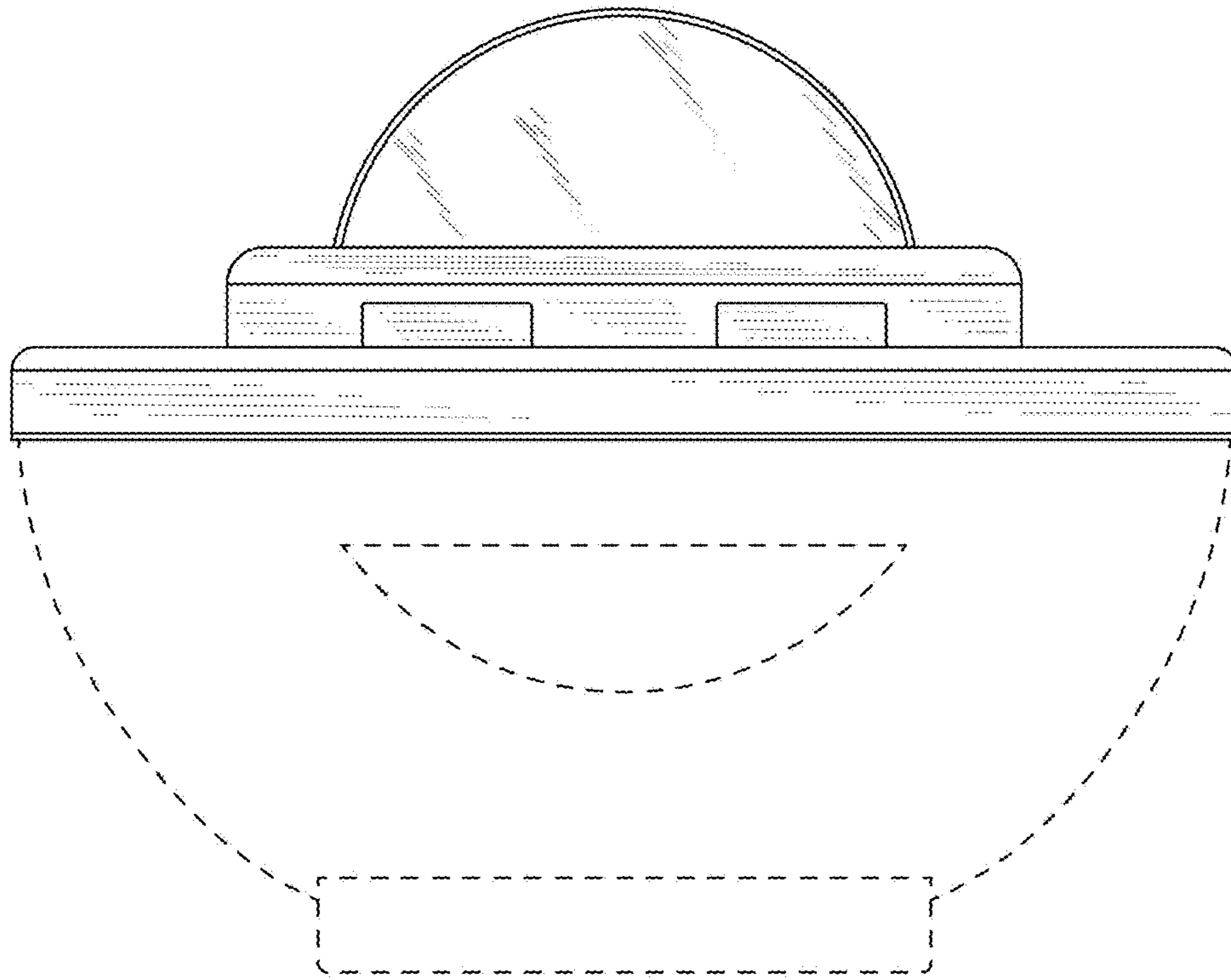


FIG. 3

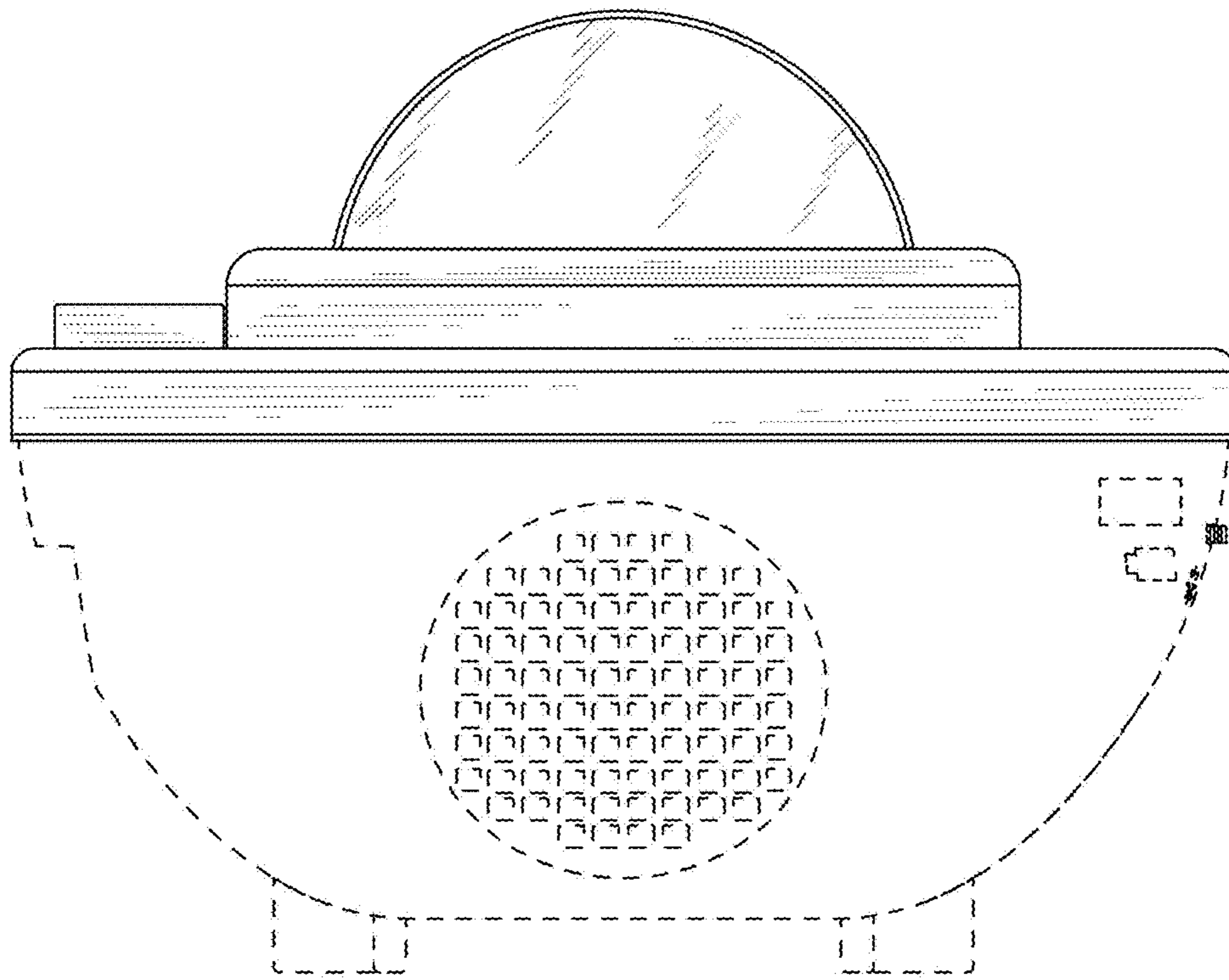


FIG. 4

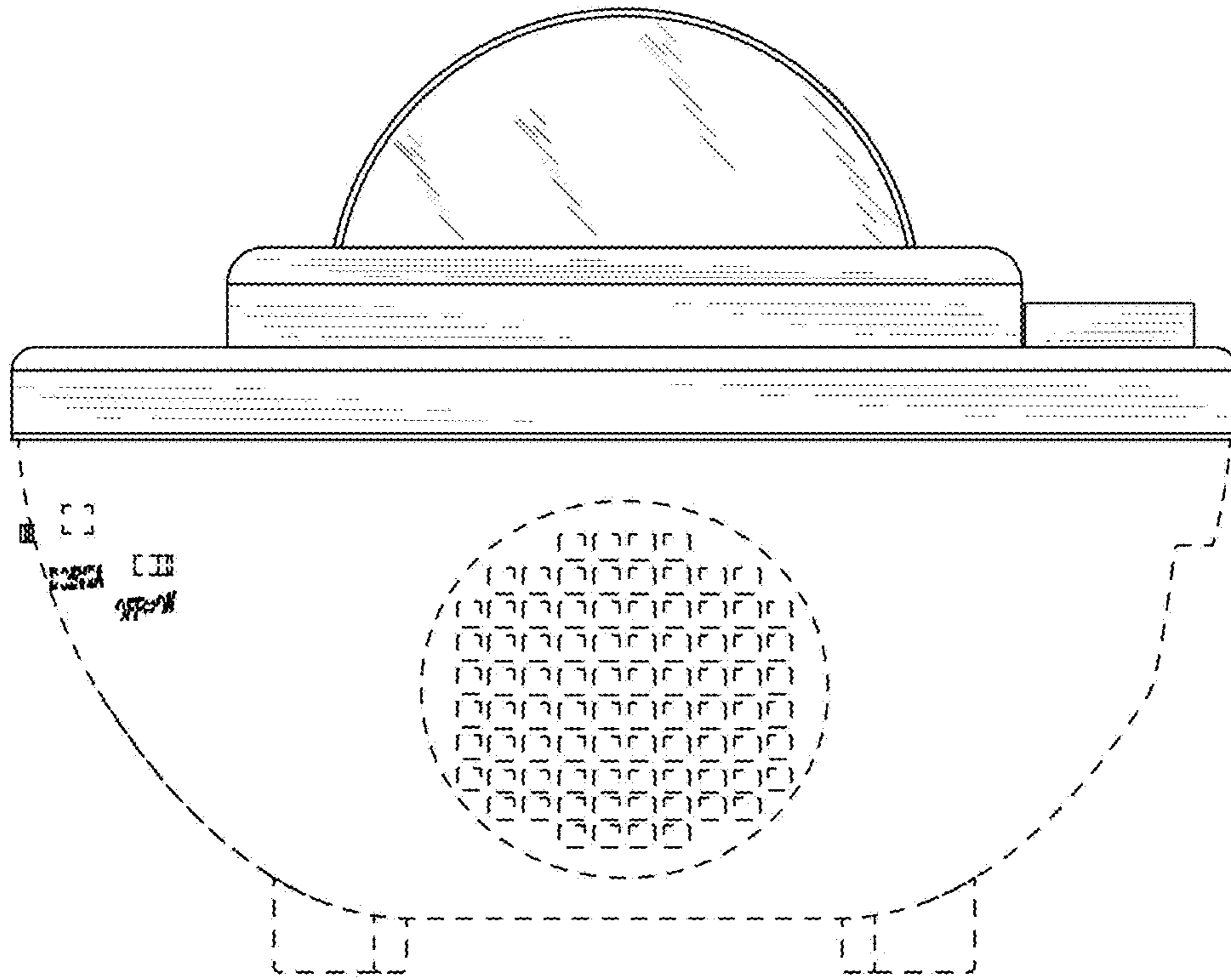


FIG. 5

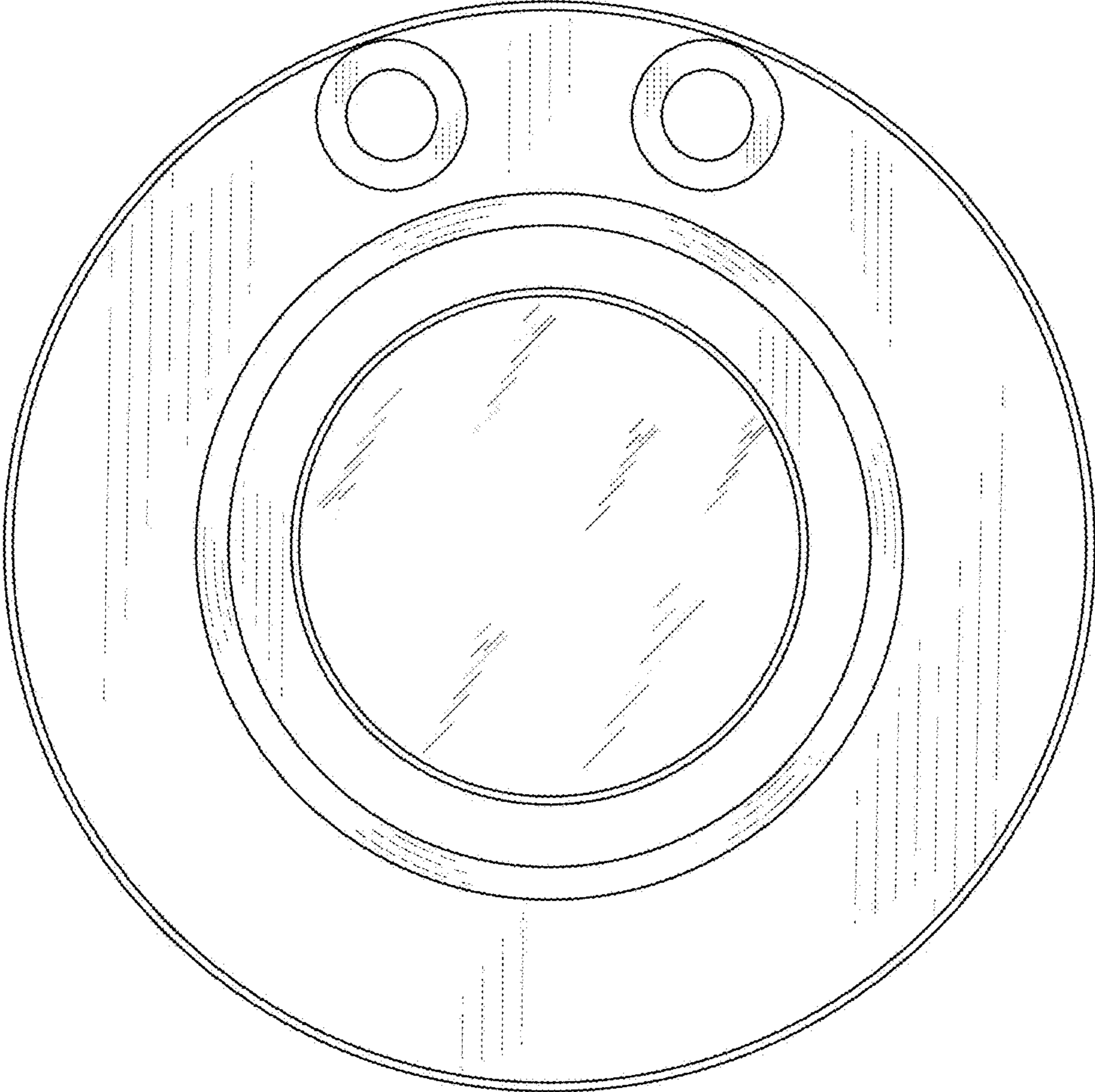


FIG. 6

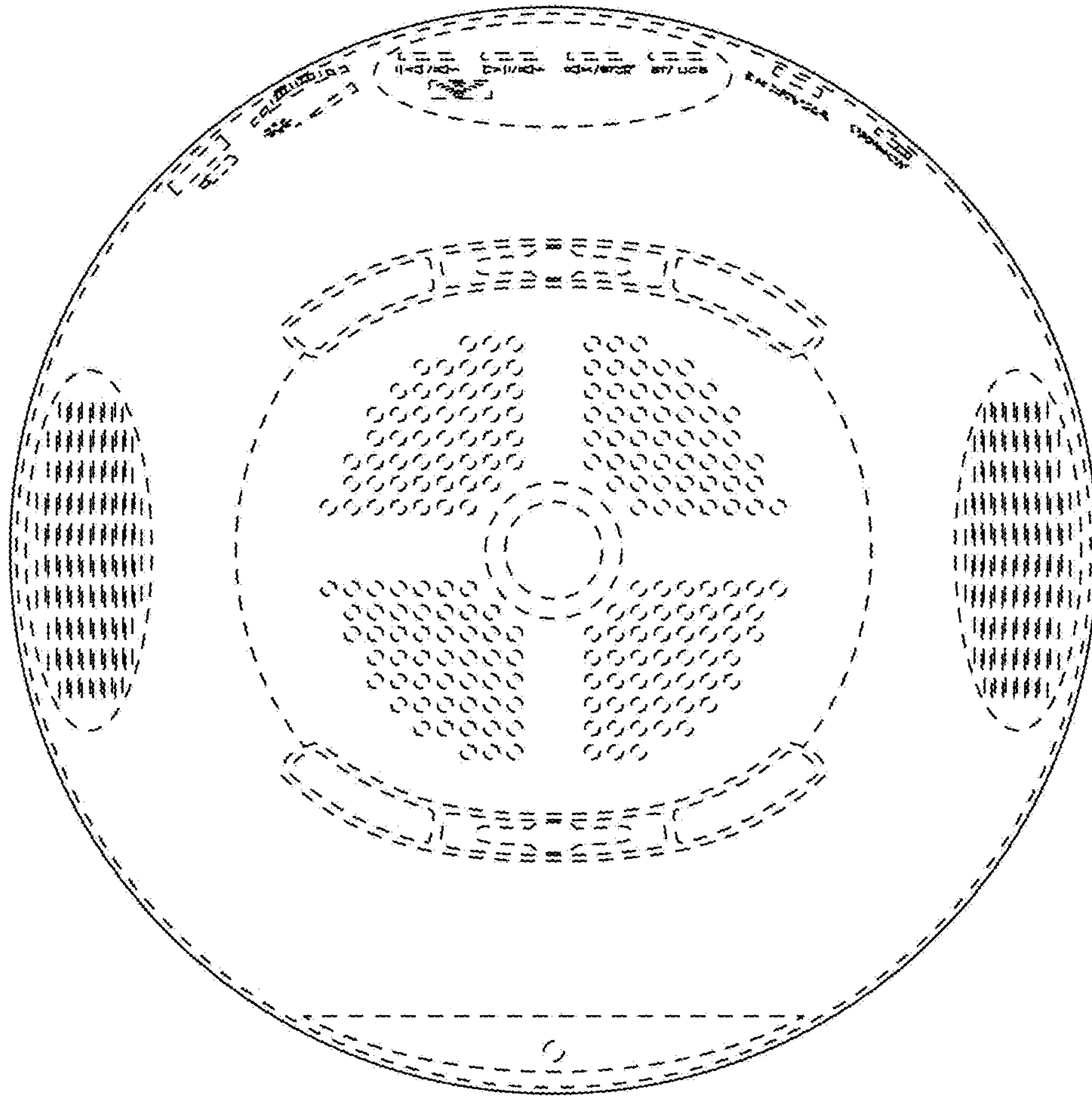


FIG. 7