



US00D919874S

(12) **United States Design Patent**  
**Tang**

(10) **Patent No.:** **US D919,874 S**

(45) **Date of Patent:** **\*\* May 18, 2021**

- (54) **GROW LIGHT WITH STAND**
- (71) Applicant: **Songjie Tang**, Guangdong (CN)
- (72) Inventor: **Songjie Tang**, Guangdong (CN)
- (\*\*) Term: **15 Years**
- (21) Appl. No.: **29/738,312**
- (22) Filed: **Jun. 16, 2020**
- (51) **LOC (13) Cl.** ..... **26-05**
- (52) **U.S. Cl.**  
USPC ..... **D26/106; D26/111**
- (58) **Field of Classification Search**  
USPC ..... D26/13, 25, 34, 38, 42, 60, 72, 76, 78,  
D26/80, 84, 102, 106, 111, 118, 120, 138,  
D26/150; D16/237, 239, 244, 245, 250;  
D18/40  
CPC .. F21S 8/081; F21S 8/083; F21S 8/085; F21S  
8/088; F21S 6/005; F21V 3/0445; F21V  
21/32; F21Y 2103/00; F21Y 2103/01;  
F21W 2131/103; F21W 2131/109  
See application file for complete search history.

- D895,716 S \* 9/2020 Chen ..... D16/244
- D901,064 S \* 11/2020 Hodgson ..... D26/102
- D901,749 S \* 11/2020 Chen ..... D26/106
- D903,174 S \* 11/2020 Chen ..... D26/60
- D908,267 S \* 1/2021 Tang ..... D26/106
- D908,274 S \* 1/2021 Wang ..... D26/138
- D911,428 S \* 2/2021 Xiao ..... D16/244
- D912,299 S \* 3/2021 Lin ..... D26/76
- 2008/0192476 A1 \* 8/2008 Hiratsuka ..... F21V 7/0083  
362/285
- 2011/0012531 A1 \* 1/2011 Zheng ..... F21S 2/00  
315/294
- 2012/0188756 A1 \* 7/2012 Kokoski ..... F21V 29/763  
362/217.05
- 2019/0208606 A1 \* 7/2019 Tang ..... F21S 4/28
- 2019/0366498 A1 \* 12/2019 Wang ..... B23Q 17/2404

\* cited by examiner

*Primary Examiner* — Wan Laymon  
*Assistant Examiner* — Clint A Samuel  
(74) *Attorney, Agent, or Firm* — ScienBiziP, P.C.

(57) **CLAIM**

The ornamental design for a grow light with stand, as shown and described.

**DESCRIPTION**

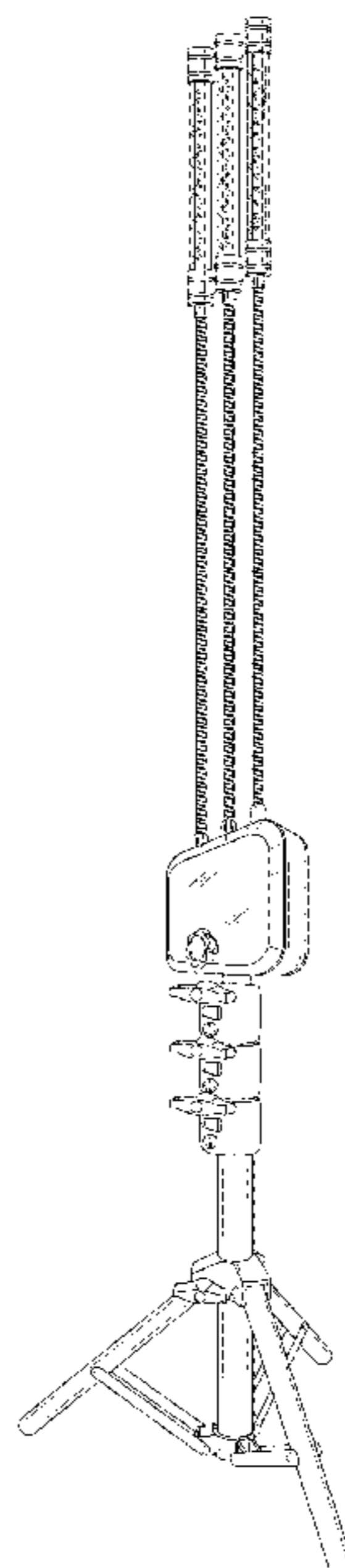
FIG. 1 is a front and right perspective view of a grow light with stand, showing my design.  
FIG. 2 is a front elevation view thereof.  
FIG. 3 is a rear elevation view thereof.  
FIG. 4 is a left side elevation view thereof.  
FIG. 5 is a right side elevation view thereof.  
FIG. 6 is a top plan view thereof; and,  
FIG. 7 is a bottom plan view thereof.  
The broken lines showing in the drawings are for the purpose of illustrating portions of the grow light with stand and form no part of the claimed design.

**1 Claim, 7 Drawing Sheets**

(56) **References Cited**

U.S. PATENT DOCUMENTS

- 2,976,399 A \* 3/1961 Christy ..... F21V 23/026  
362/221
- D469,462 S \* 1/2003 Onodera ..... D18/40
- D637,752 S \* 5/2011 Mekhtarian
- D711,573 S \* 8/2014 Payne ..... D26/42
- D796,730 S \* 9/2017 Sonneman ..... D26/118
- D805,669 S \* 12/2017 Noga ..... D26/51
- D811,635 S \* 2/2018 Urry ..... D26/42
- D822,881 S \* 7/2018 Drew et al.
- D875,286 S \* 2/2020 Noga ..... D26/42
- D878,654 S \* 3/2020 Lin ..... D26/60
- D880,048 S \* 3/2020 Zhu
- D884,260 S \* 5/2020 Soofer ..... D26/138



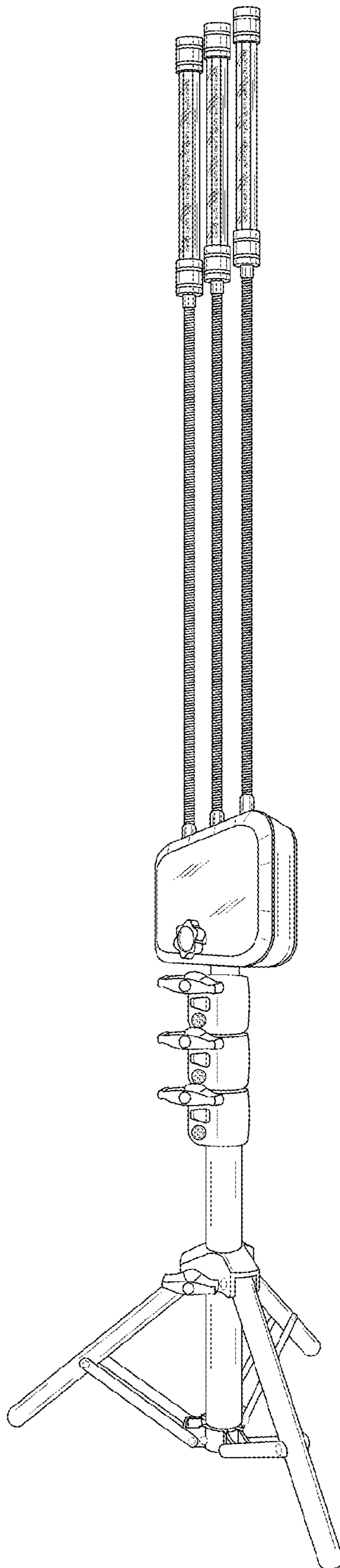


FIG.1

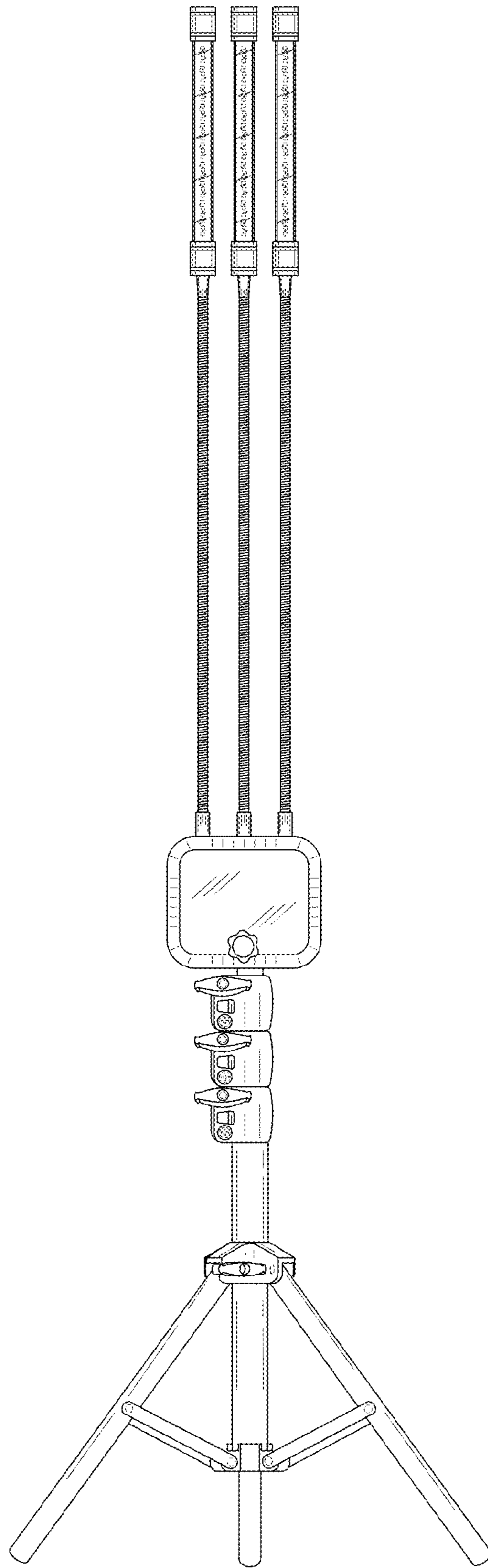


FIG.2

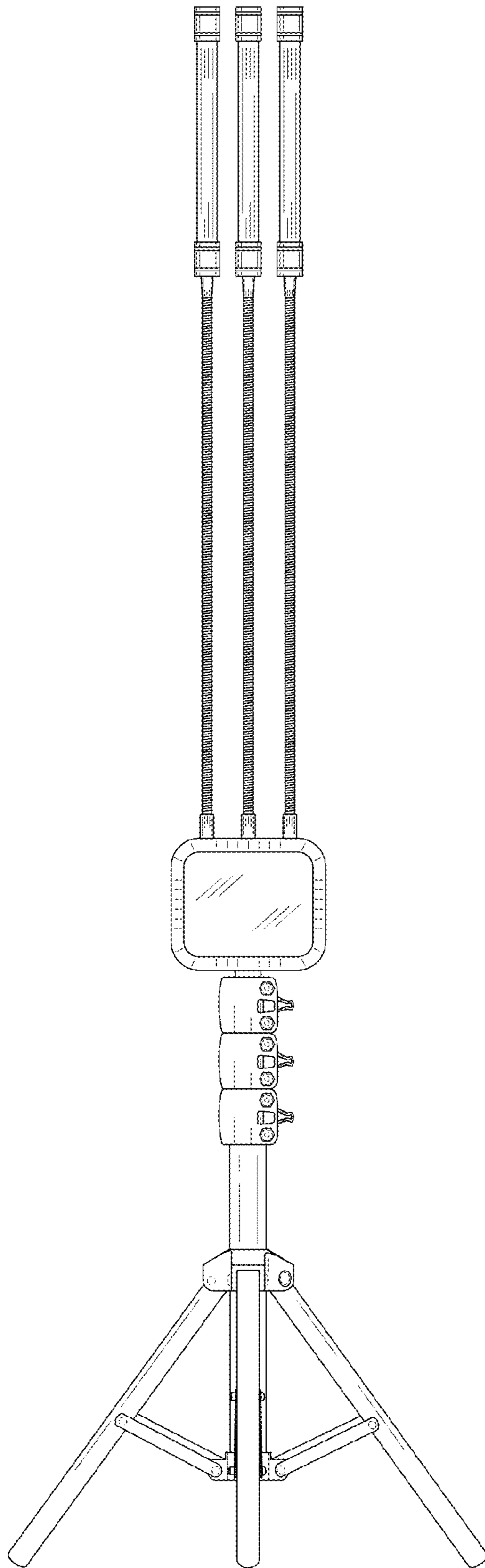


FIG.3

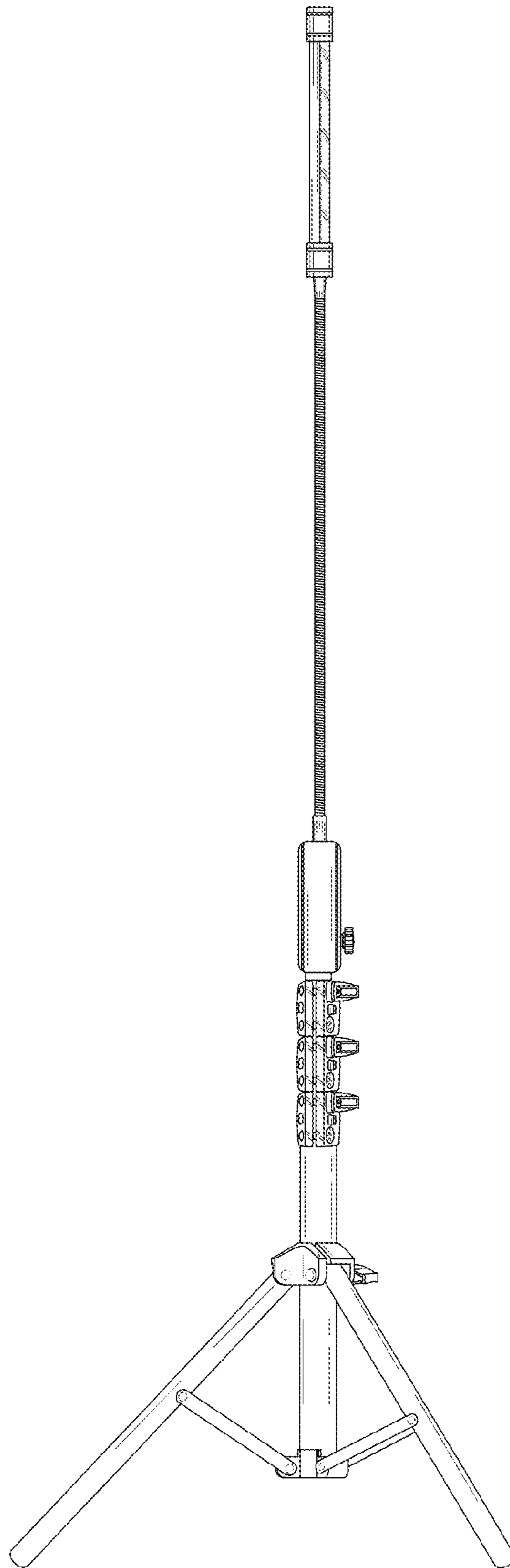


FIG.4

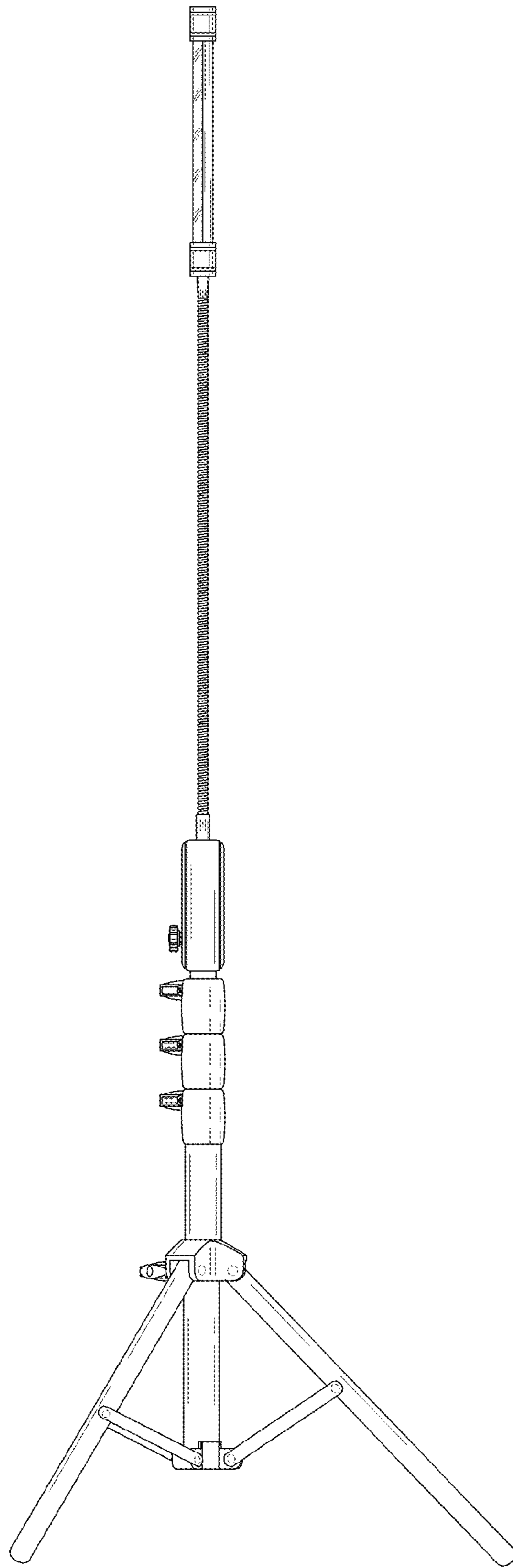


FIG.5

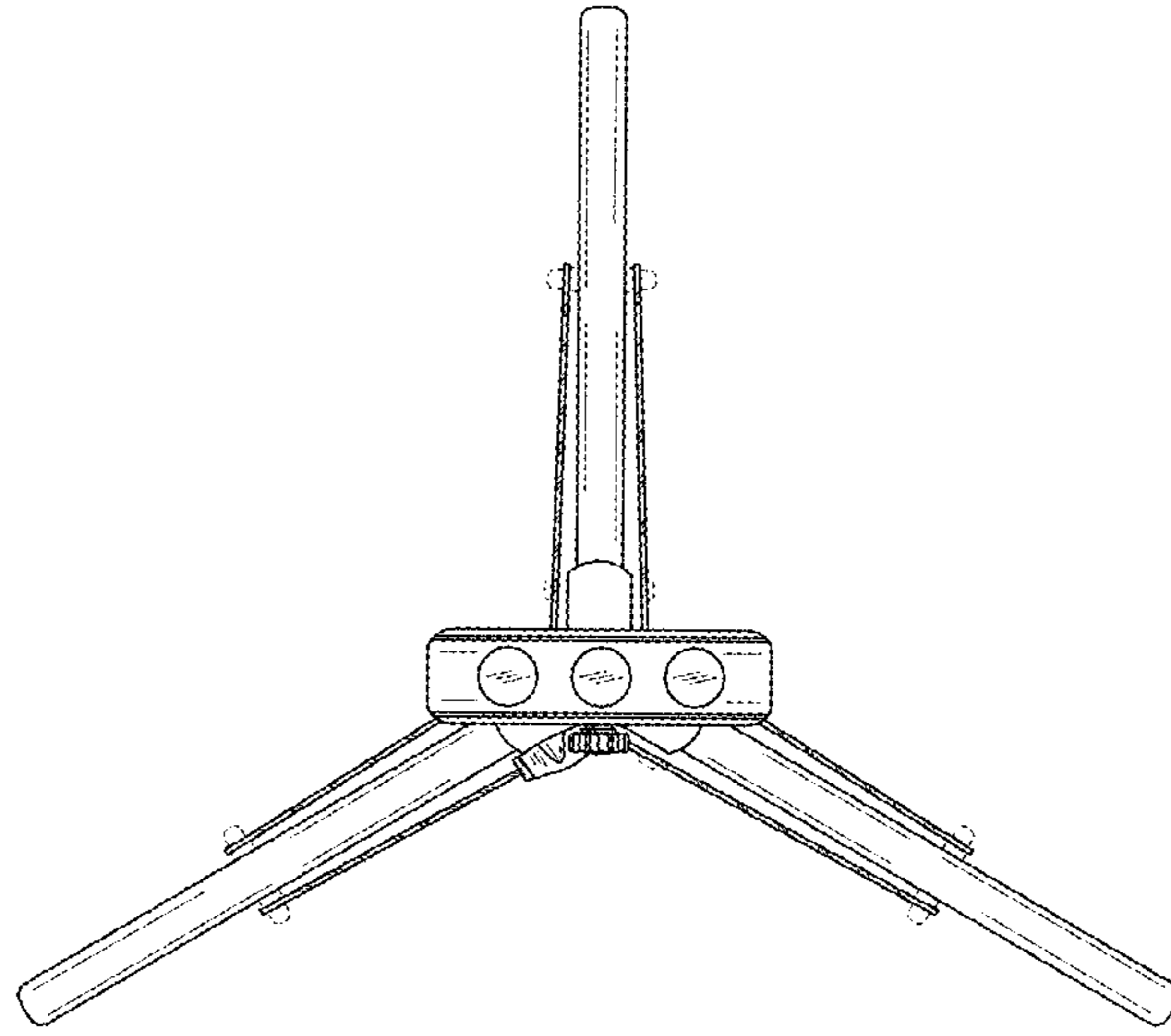


FIG.6

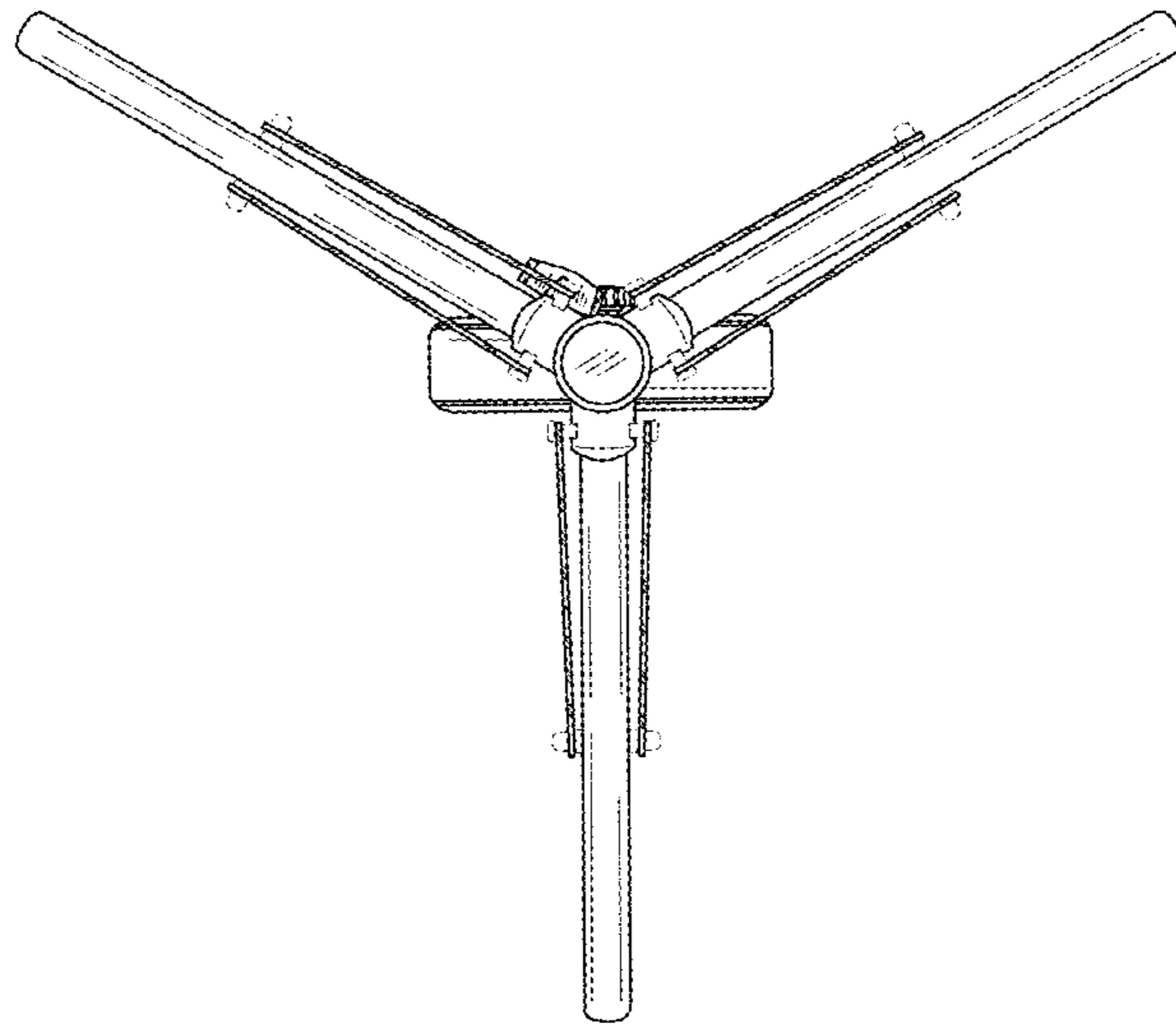


FIG.7