



US00D919872S

(12) **United States Design Patent**
Hendifar et al.

(10) **Patent No.:** **US D919,872 S**

(45) **Date of Patent:** **** May 18, 2021**

(54) **LIGHT FIXTURE**

(71) Applicant: **APPARATUS, LLC**, New York, NY
(US)

(72) Inventors: **Gabriel Hendifar**, New York, NY
(US); **Jeremy R. Anderson**, New York,
NY (US)

(73) Assignee: **APPARATUS LLC**, New York, NY
(US)

(**) Term: **15 Years**

(21) Appl. No.: **29/705,849**

(22) Filed: **Sep. 16, 2019**

(51) **LOC (13) Cl.** **26-03**

(52) **U.S. Cl.**
USPC **D26/84**; D26/83

(58) **Field of Classification Search**
USPC D26/72, 80-86, 88, 90
CPC F21S 8/04; F21S 8/043; F21S 8/046; F21S
8/06; F21S 8/061; F21S 8/063; F21S
8/065; F21S 8/066; F21S 8/068
See application file for complete search history.

(56) **References Cited**

U.S. PATENT DOCUMENTS

248,424 A *	10/1881	Edison	F21S 8/065
				362/241
D50,193 S *	1/1917	Guth	D26/84
D134,482 S *	12/1942	Ganger	D26/81
2,916,250 A *	12/1959	Wolar	F21V 21/03
				248/345
D304,768 S *	11/1989	Dicola	D26/84
D541,970 S *	5/2007	Blackman	D26/81
D620,176 S *	7/2010	Sabernig	D26/83
D643,962 S *	8/2011	Verelst	D26/83
D719,698 S *	12/2014	Mollaghaffari	D26/81
D767,197 S	9/2016	Anderson		
D779,708 S	2/2017	Anderson et al.		

D780,979 S * 3/2017 Urquiola D26/88
D792,633 S * 7/2017 Sonneman D26/90
D793,605 S * 8/2017 Cartwright D26/81

(Continued)

OTHER PUBLICATIONS

Trapeze 4 Surface Mount light fixture Spec Sheet © 2014 from
apparatusstudio.com. (Year: 2014).*

(Continued)

Primary Examiner — Clare E Heflin

(74) *Attorney, Agent, or Firm* — Gottlieb, Rackman &
Reisman, P.C.

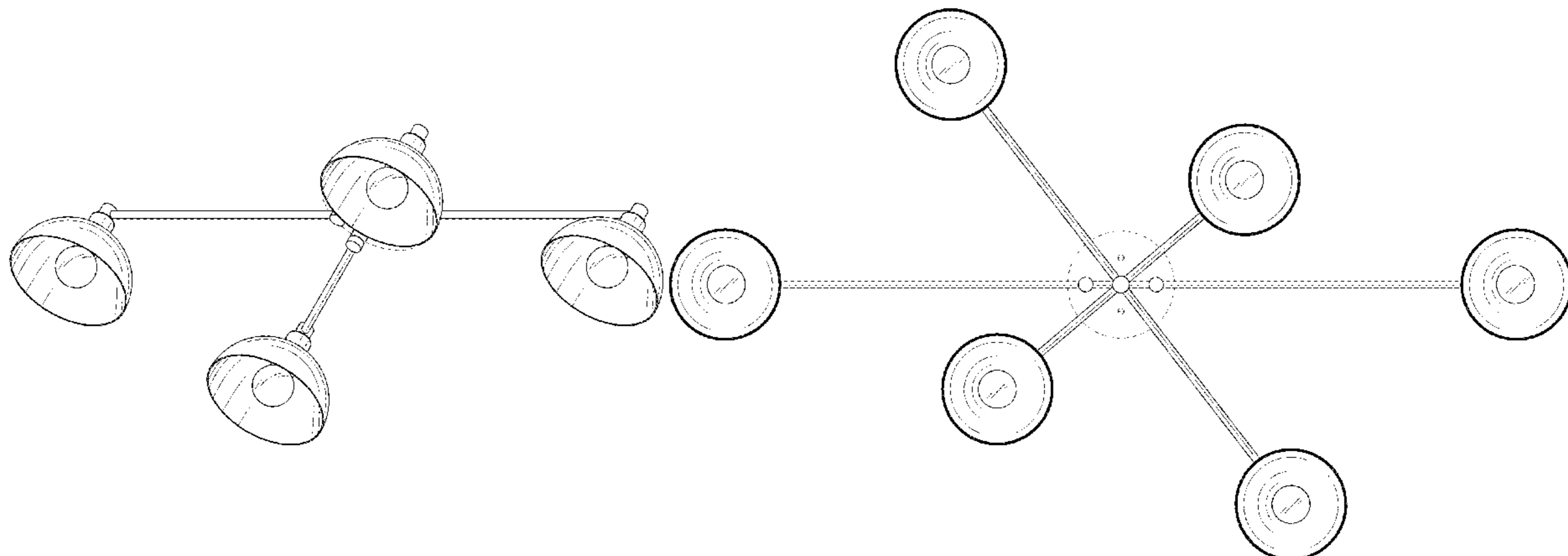
(57) **CLAIM**

the ornamental design for a light fixture, as shown and
described.

DESCRIPTION

FIG. 1 is a bottom perspective view showing our new
design;
FIG. 2 is a top perspective view thereof;
FIG. 3 is a front elevational view thereof;
FIG. 4 is a rear elevational view thereof;
FIG. 5 is a left side elevational view thereof;
FIG. 6 is a right side elevational view thereof;
FIG. 7 is a top plan view thereof;
FIG. 8 is a bottom plan view thereof;
FIG. 9 is a bottom perspective of a second embodiment
thereof;
FIG. 10 is a top perspective view thereof;
FIG. 11 is a front elevational view thereof;
FIG. 12 is a rear elevational view thereof;
FIG. 13 is a left side elevational view thereof;
FIG. 14 is a right side elevational view thereof;
FIG. 15 is a top plan view thereof; and,
FIG. 16 is a bottom plan view thereof.
The broken lines in FIGS. 1-16 illustrate portions of the light
fixture that form no part of the claimed design.

1 Claim, 16 Drawing Sheets



(56)

References Cited

U.S. PATENT DOCUMENTS

D806,304 S	*	12/2017	Amato	D26/81
D812,800 S	*	3/2018	Martin	D26/81
D819,866 S	*	6/2018	Amato	D26/81
D828,607 S	*	9/2018	Sonneman	D26/81
D828,945 S	*	9/2018	Crocker	D26/81
D862,767 S	*	10/2019	Pomputius	D26/81
D865,263 S	*	10/2019	Amato	D26/81
D866,840 S	*	11/2019	Chen	D26/81
D889,724 S	*	7/2020	Richardson	D26/81
D891,671 S	*	7/2020	Amato	D26/82
2015/0055344 A1	*	2/2015	Van Hoof	F21S 2/005 362/249.03
2017/0198895 A1	*	7/2017	Sonneman	F21S 8/065

OTHER PUBLICATIONS

Trapeze 6 Surface Mount light fixture Spec Sheet © 2014 from apparatusstudio.com. (Year: 2014).*

Apparatus LLC 2014 Catalog; Trapeze; apparatusstudio.com; New York, NY.

* cited by examiner

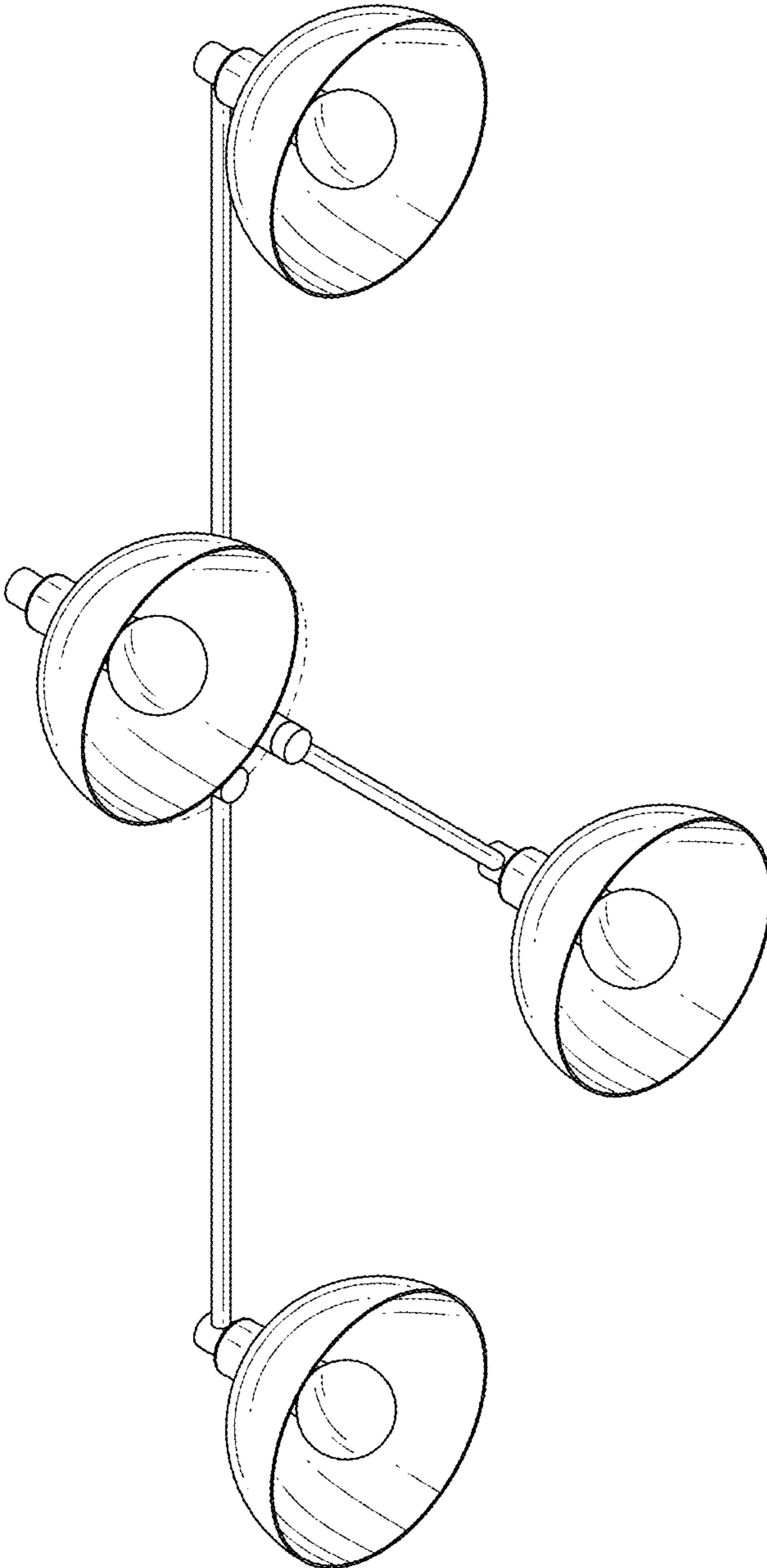


FIG. 1

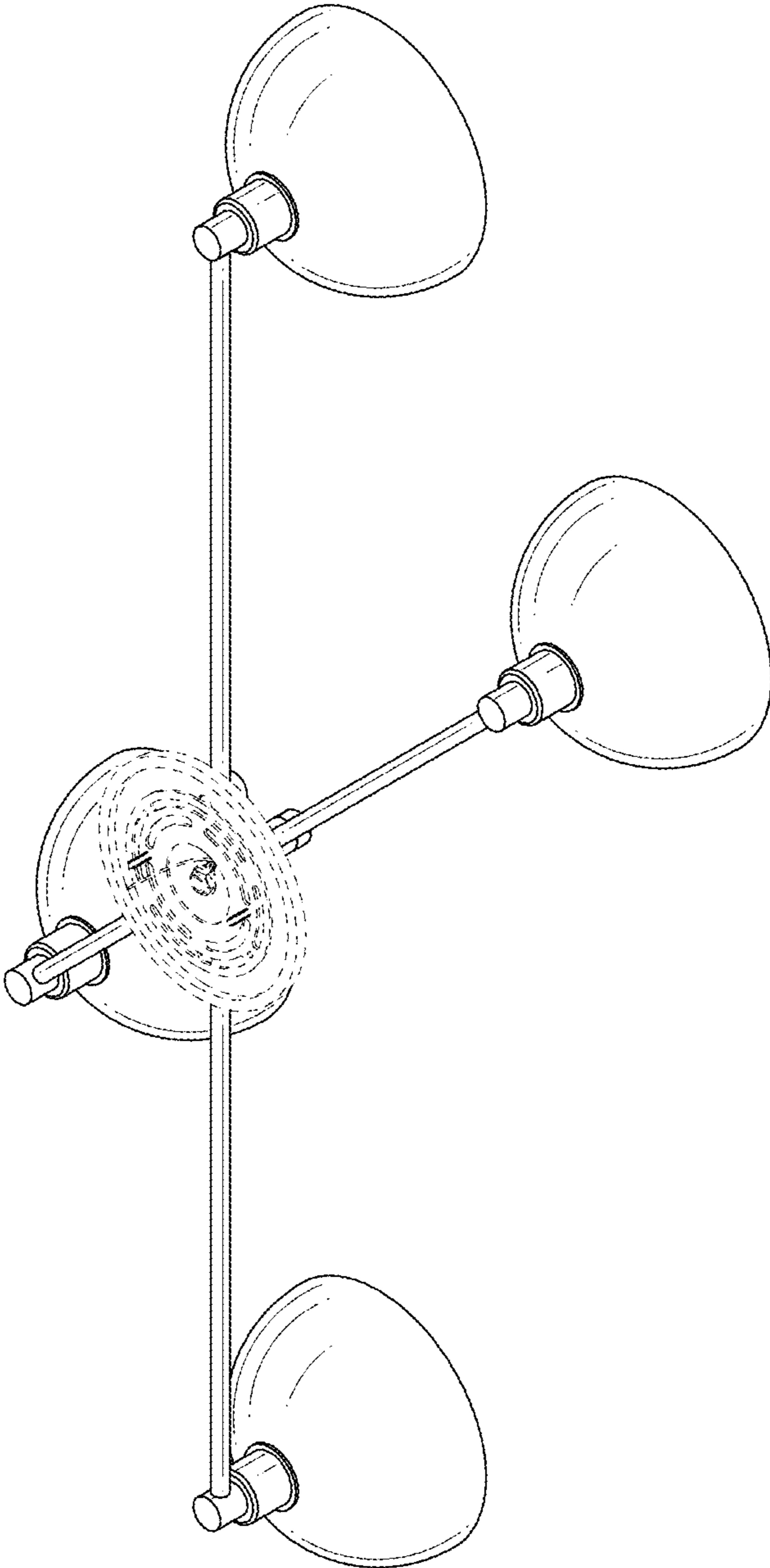


FIG. 2

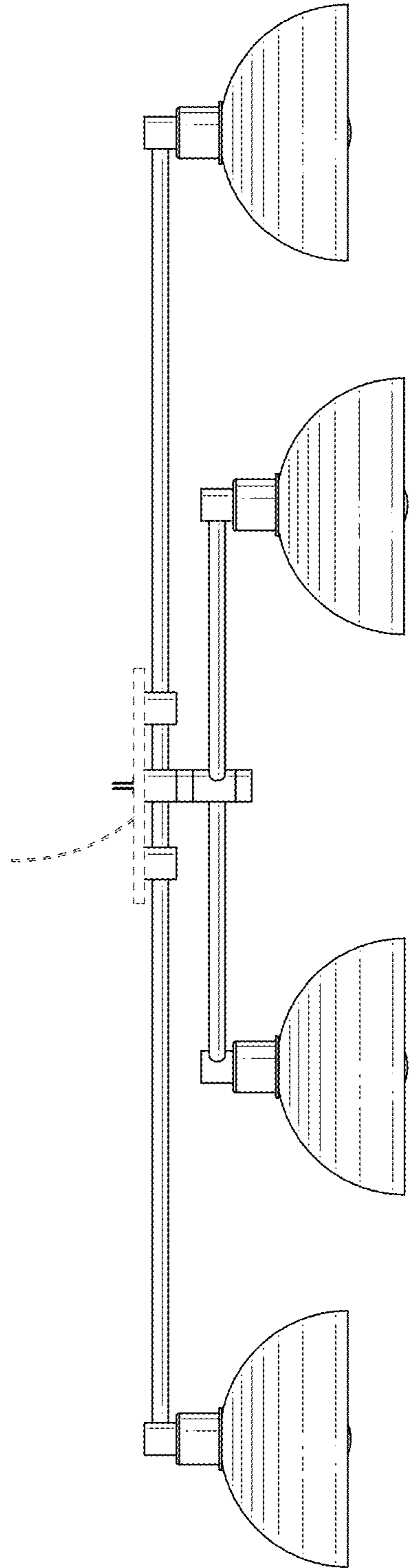


FIG.3

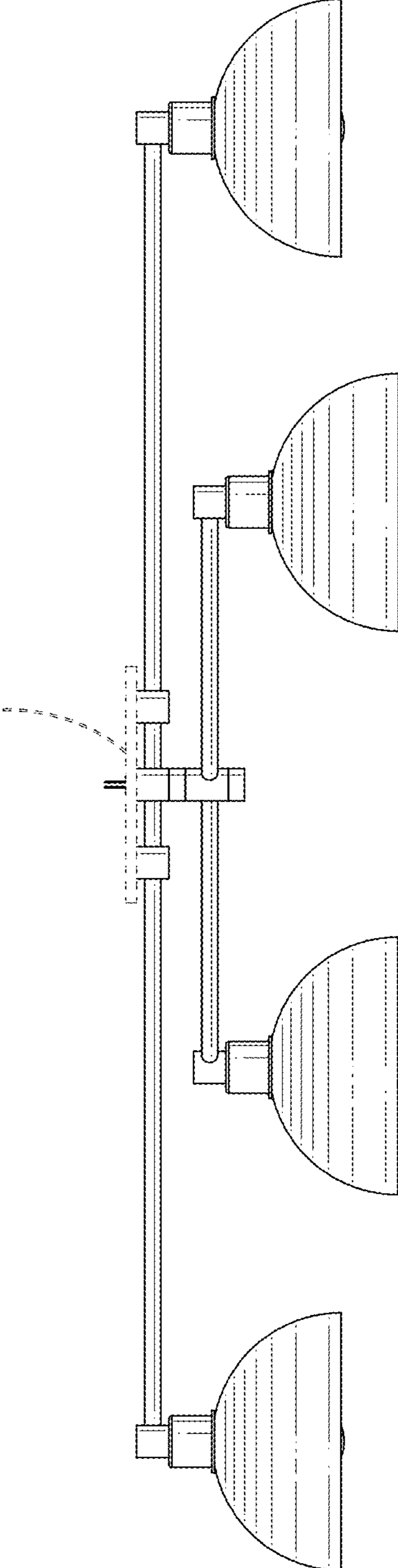


FIG.4

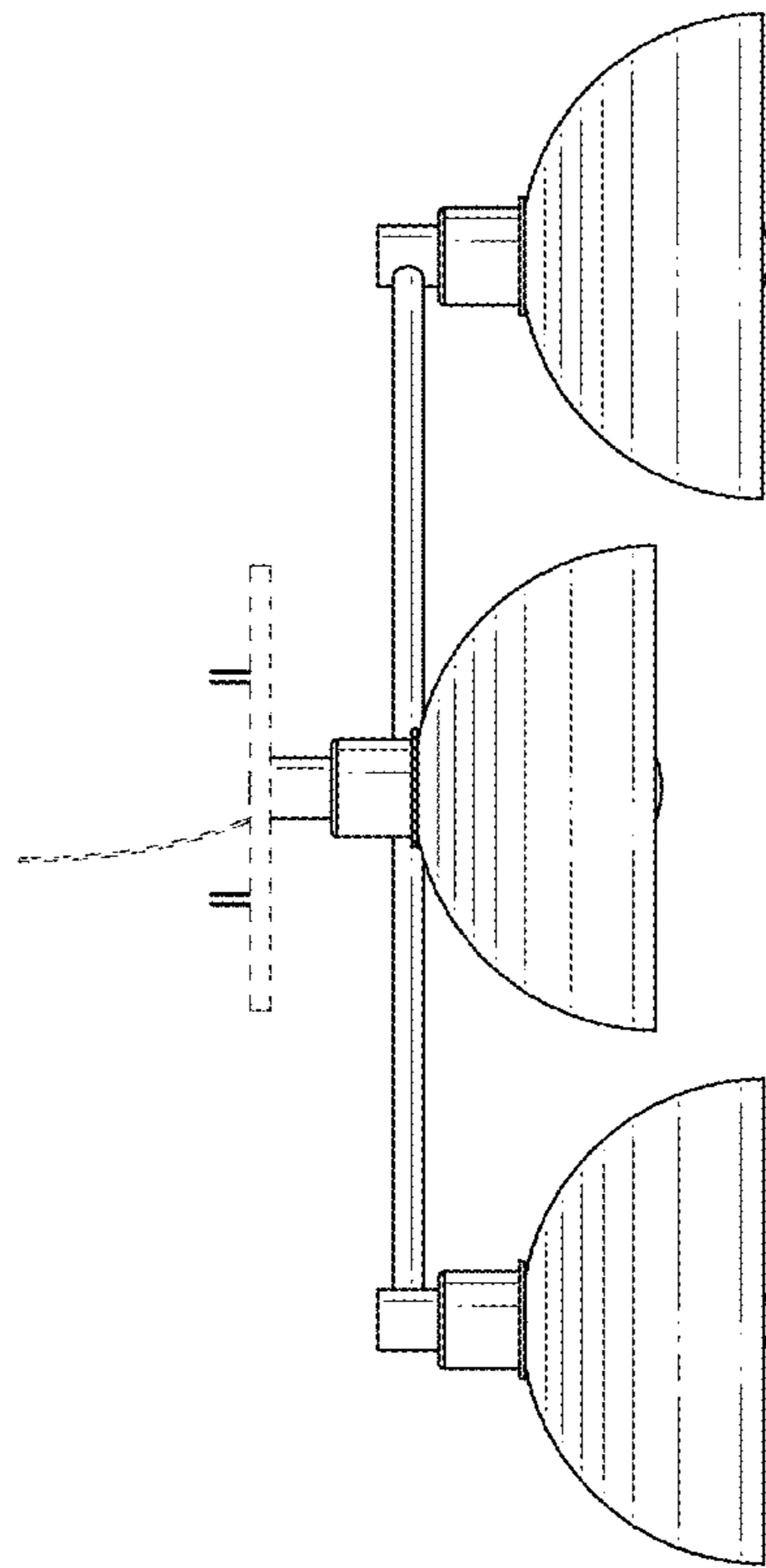


FIG. 5

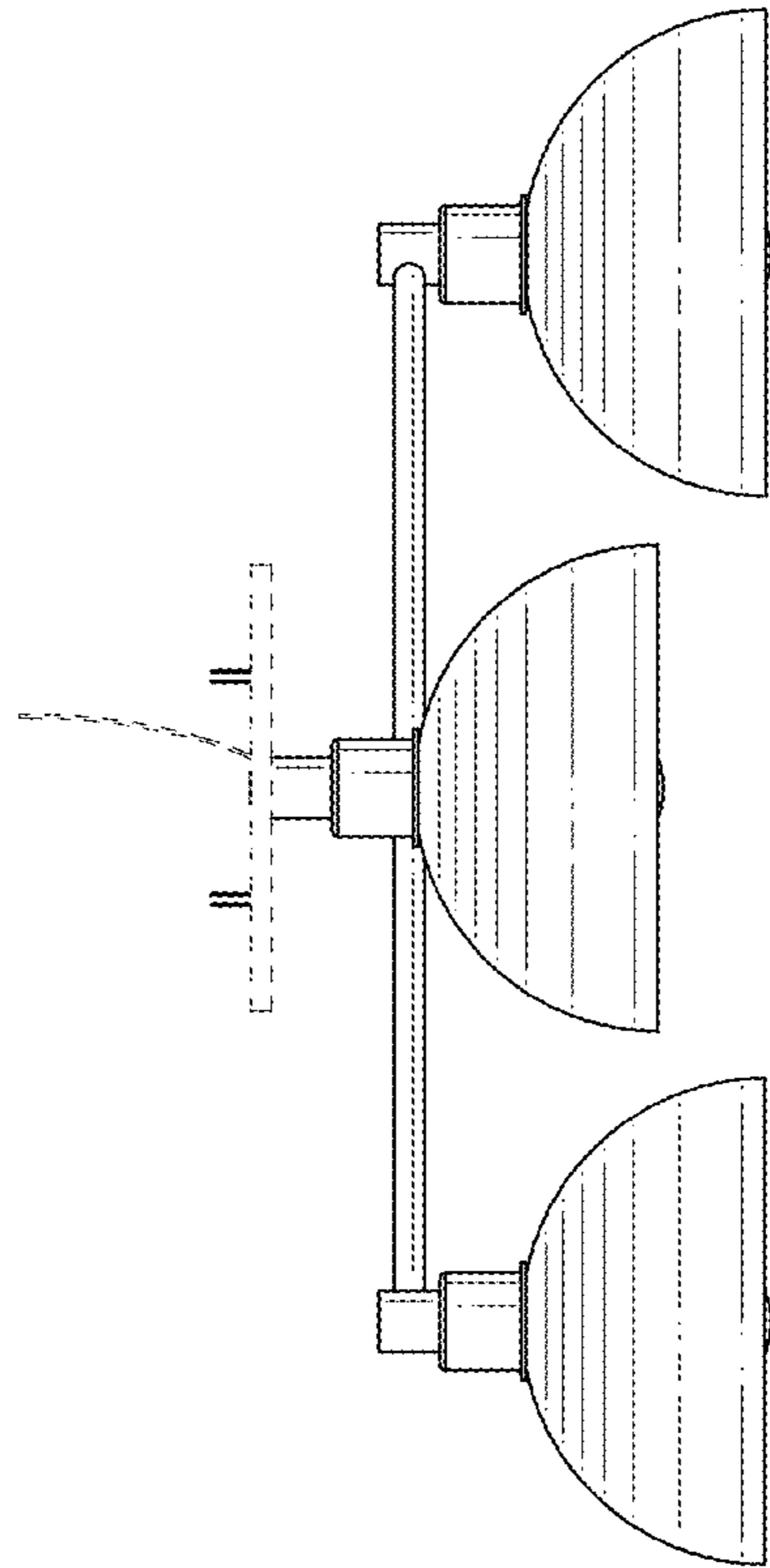


FIG. 6

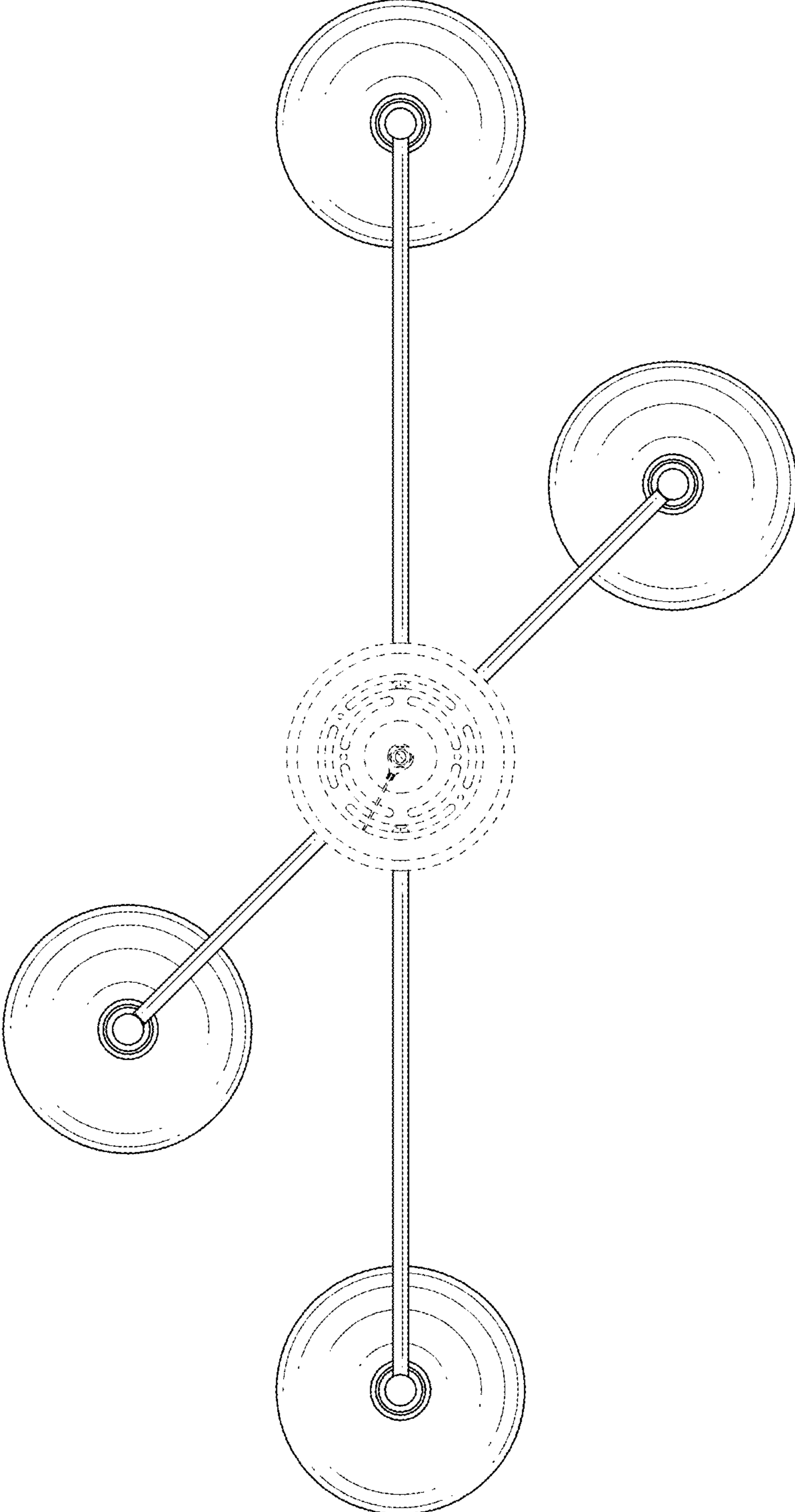


FIG. 7

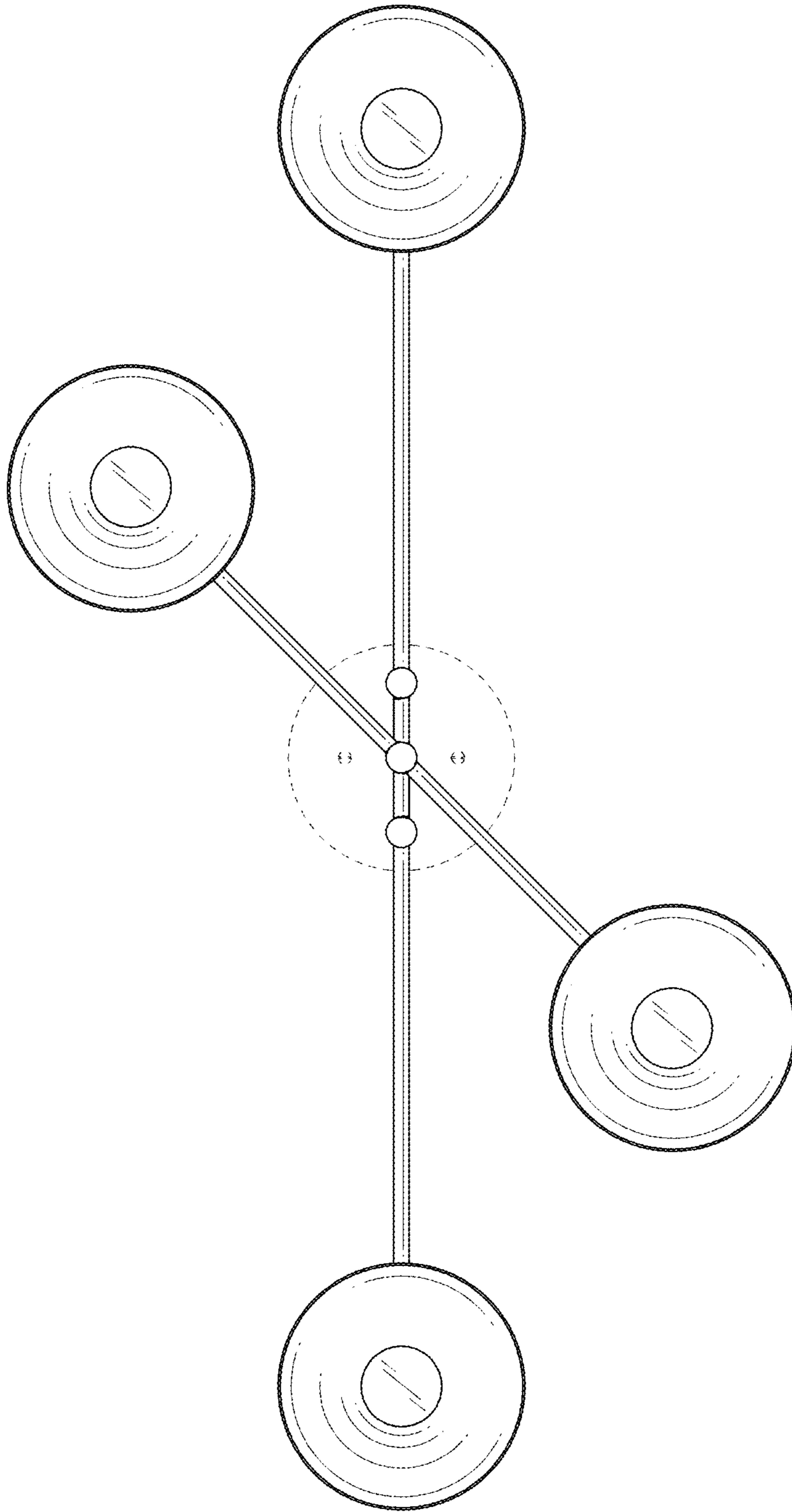


FIG. 8

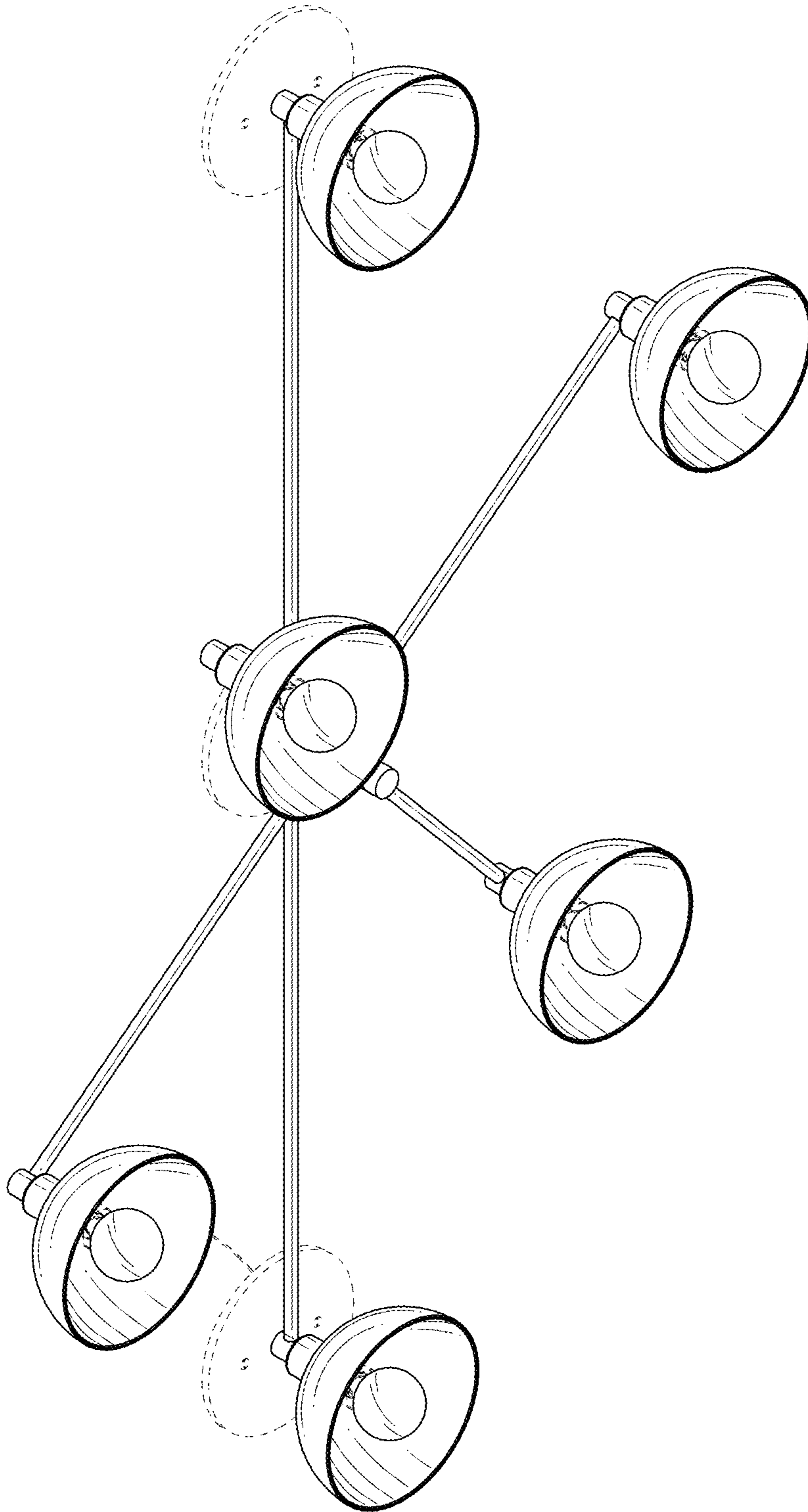


FIG. 9

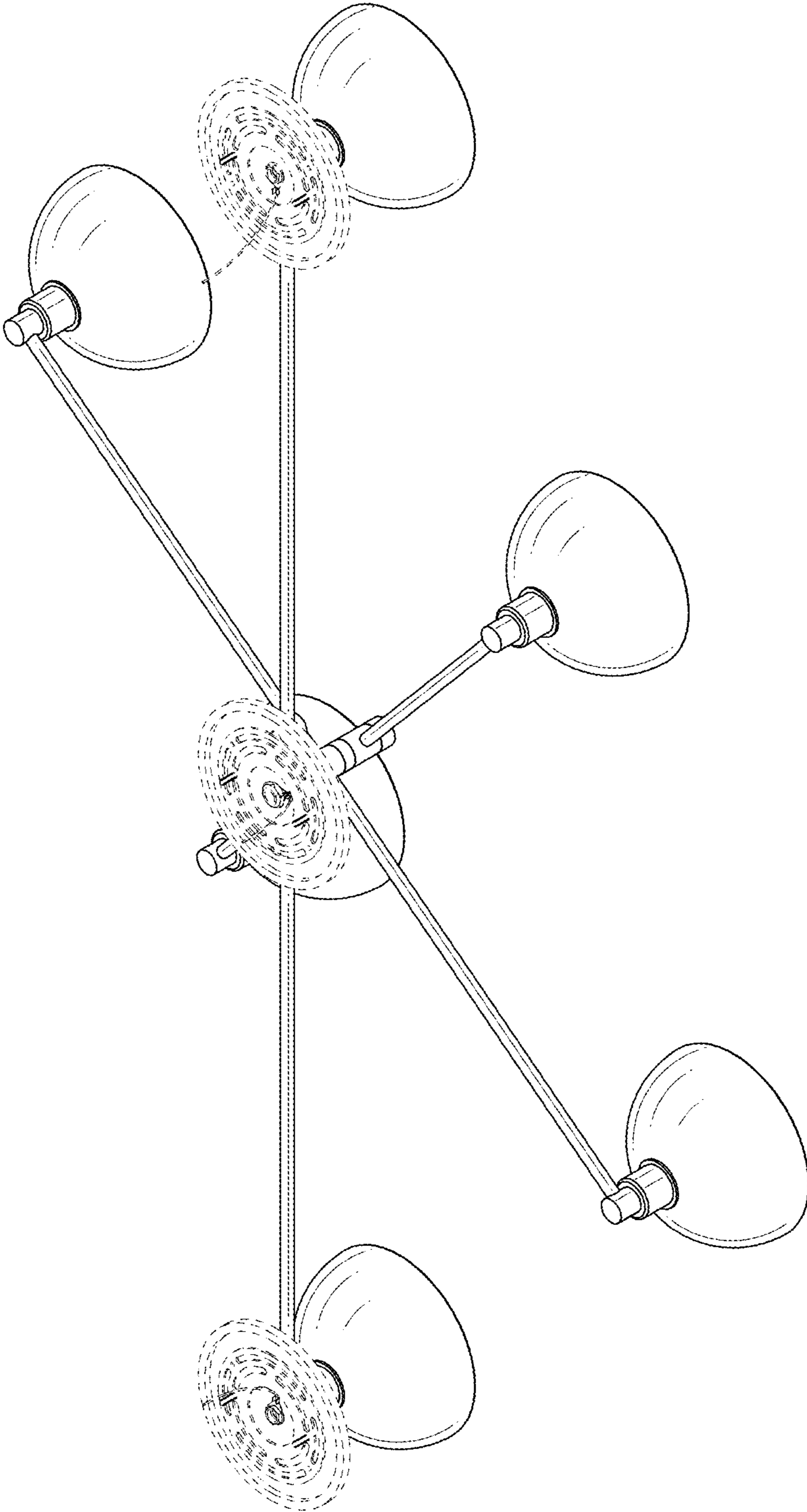


FIG.10

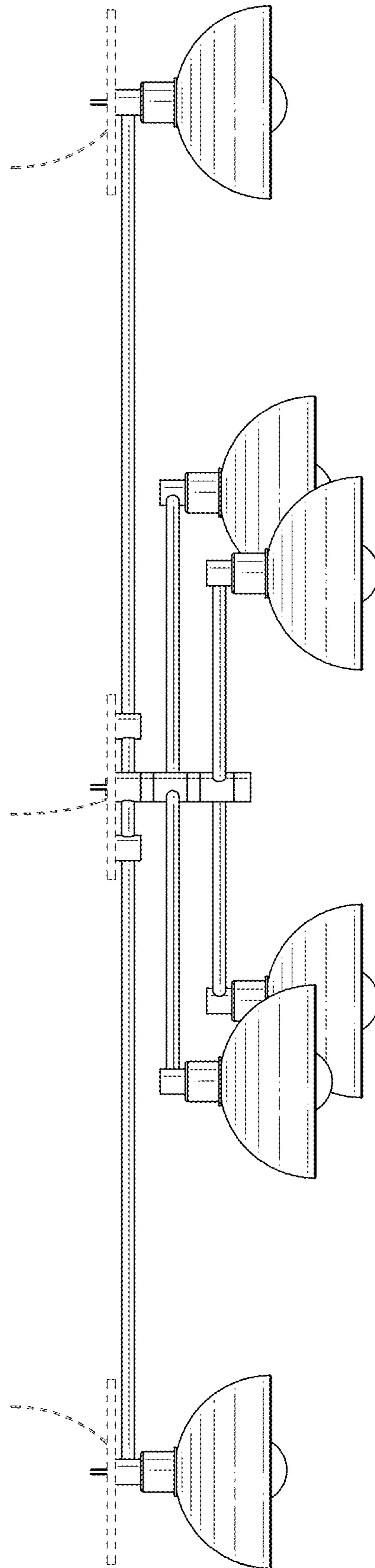


FIG.11

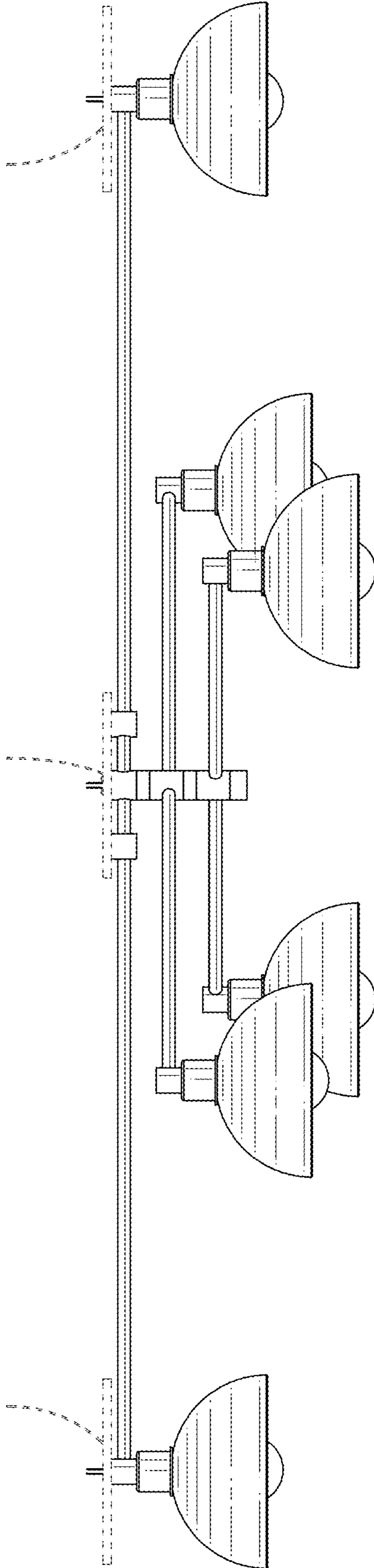


FIG.12

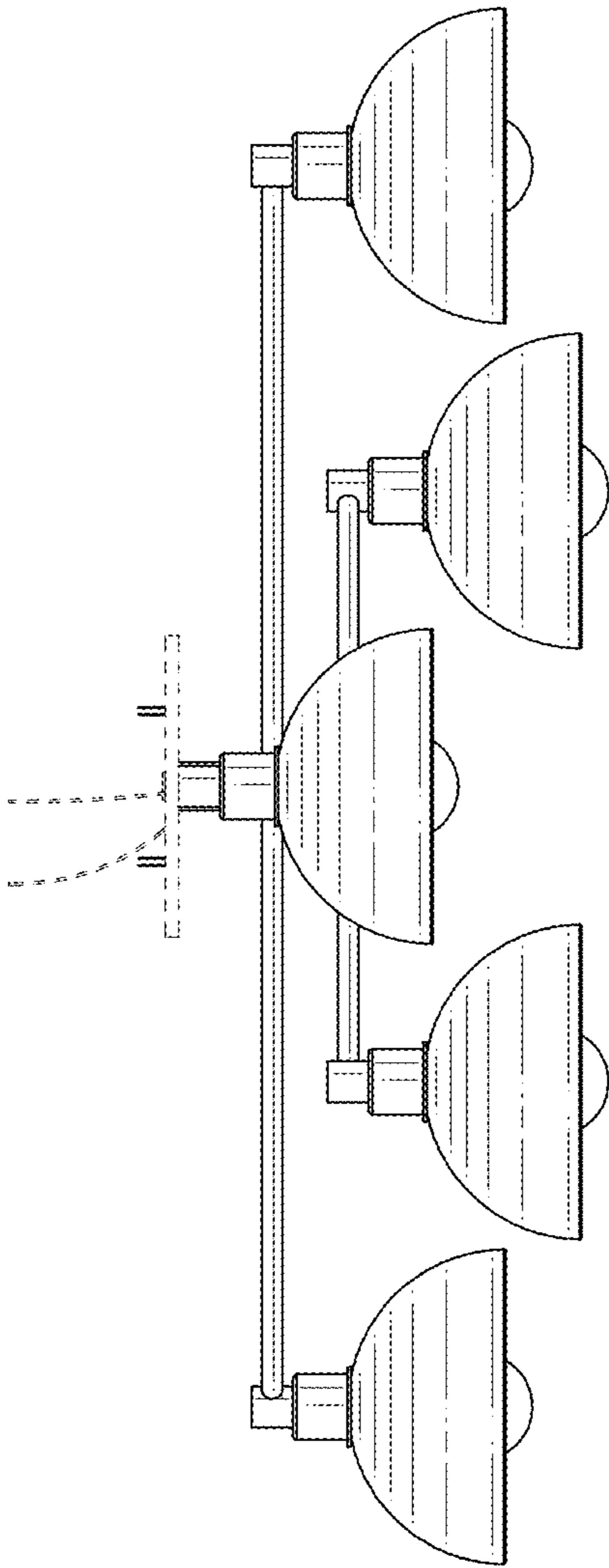


FIG.13

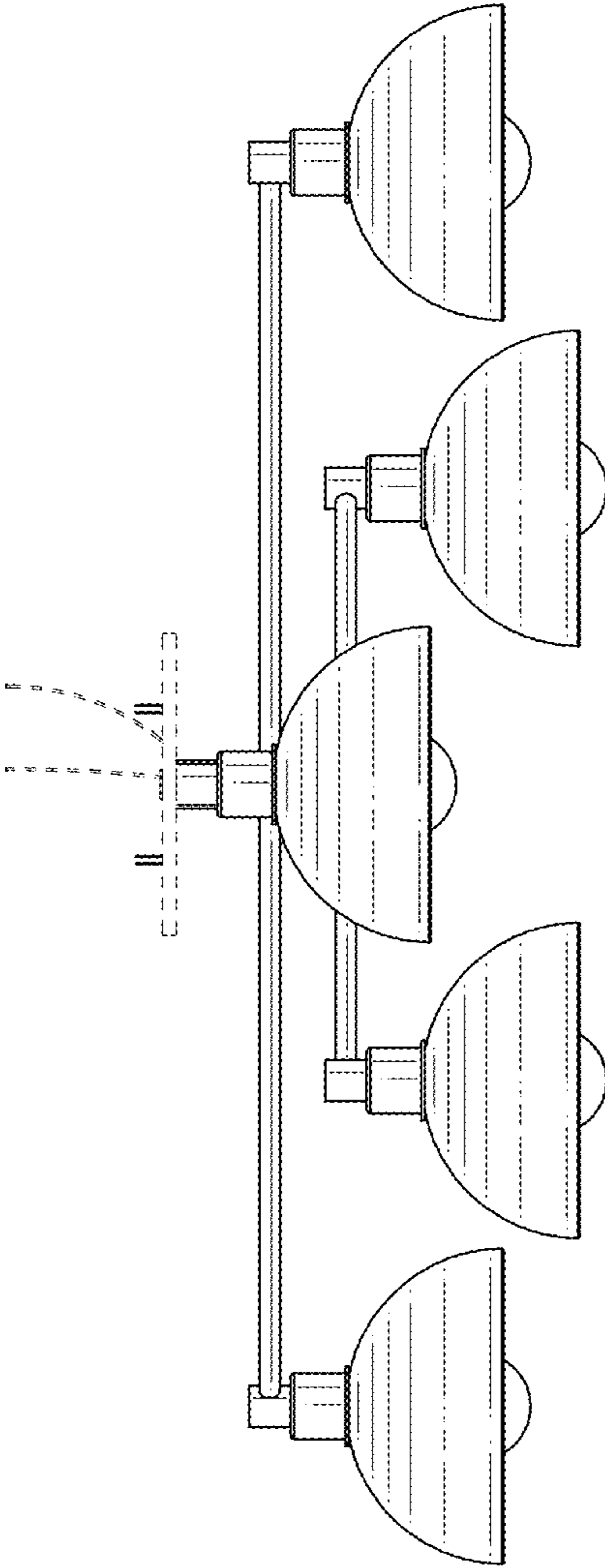


FIG.14

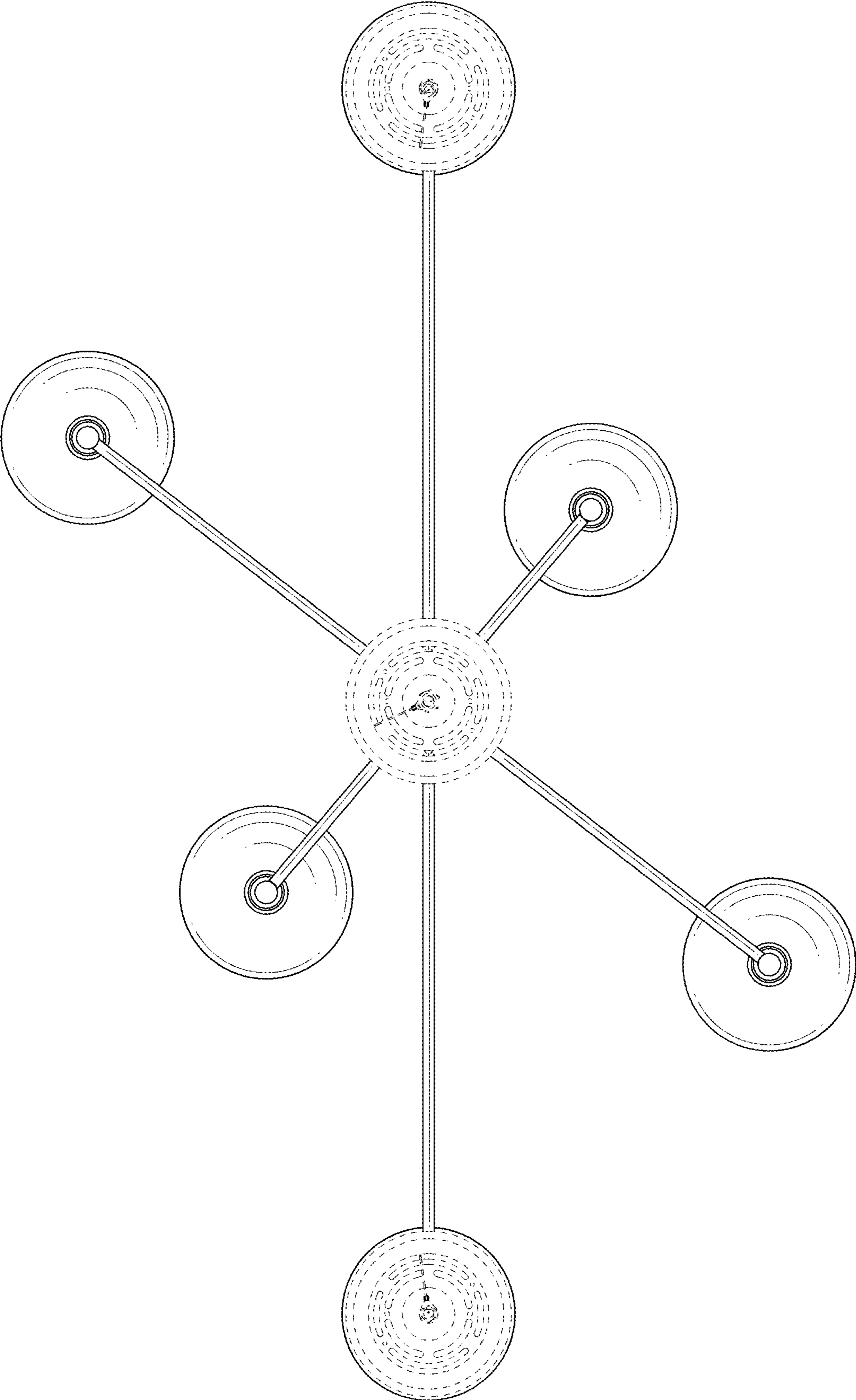


FIG. 15

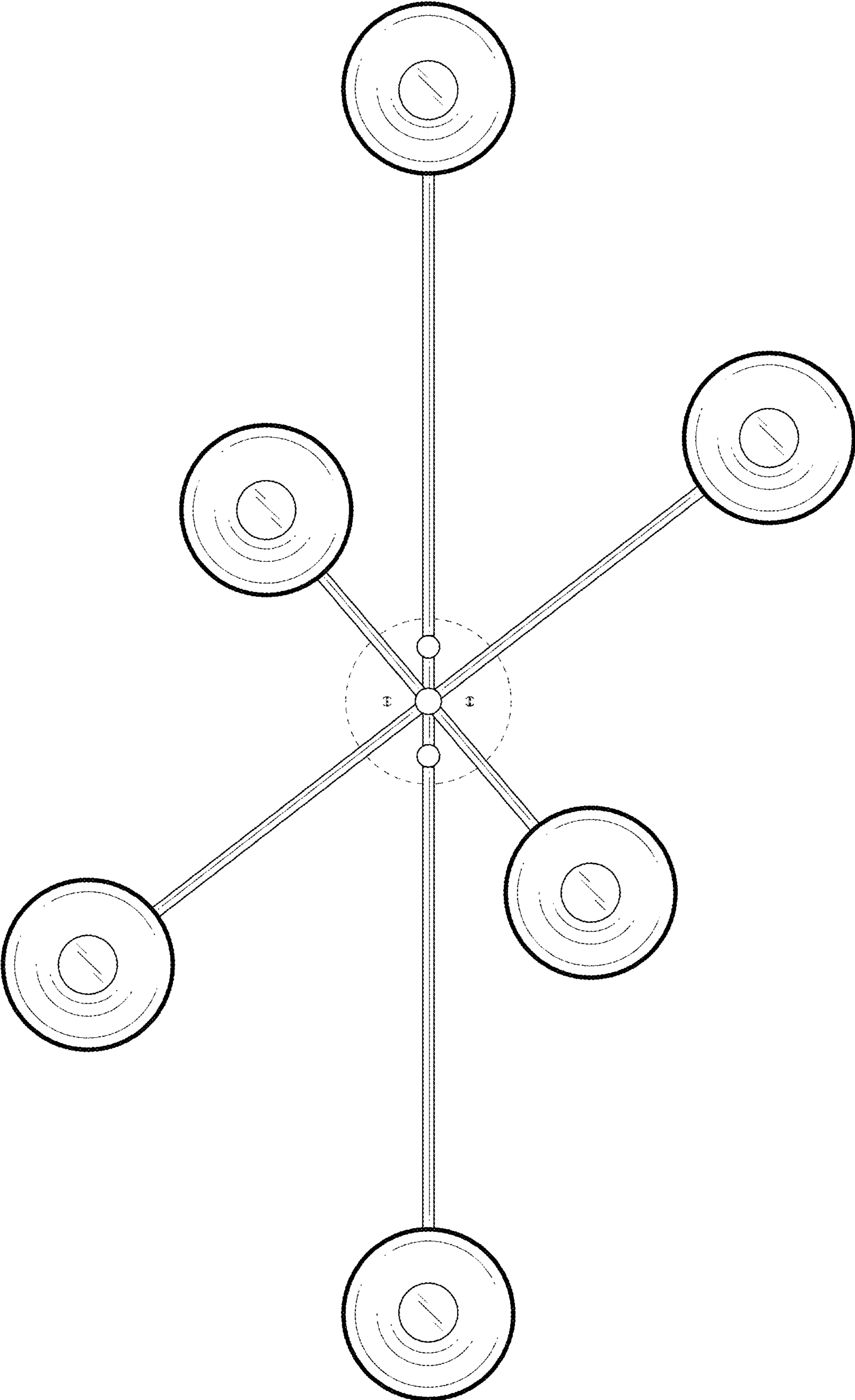


FIG.16