



US00D919871S

(12) **United States Design Patent** (10) **Patent No.:** **US D919,871 S**
Ghasabi (45) **Date of Patent:** **** May 18, 2021**

(54) **LIGHT FIXTURE**
(71) Applicant: **Luminiz Inc.**, Etobicoke (CA)
(72) Inventor: **Amir Ghasabi**, Etobicoke (CA)
(73) Assignee: **Luminiz Inc.**, Etobicoke (CA)
(**) Term: **15 Years**

D510,151 S 9/2005 Rashidi
D544,128 S 6/2007 Carro
D544,979 S * 6/2007 Hartmann, Jr. D26/74
D568,522 S 5/2008 Engel
D569,024 S 5/2008 Redfern
D622,434 S * 8/2010 Ward F21V 21/02
D26/74
D627,913 S 11/2010 Gielen
D633,636 S 3/2011 Gielen
(Continued)

(21) Appl. No.: **29/704,793**
(22) Filed: **Sep. 6, 2019**

FOREIGN PATENT DOCUMENTS

DE 102012101228 A1 8/2012
GB 2509772 A 7/2014

Related U.S. Application Data

(62) Division of application No. 29/640,775, filed on Mar. 16, 2018, now Pat. No. Des. 880,041.
(51) **LOC (13) Cl.** **26-05**
(52) **U.S. Cl.**
USPC **D26/74**
(58) **Field of Classification Search**
USPC D26/74, 72, 75, 76, 77, 78, 85, 88, 89,
D26/118, 138, 141; 362/364, 365, 373,
362/145, 146, 147, 148, 150, 153, 153.1,
362/294, 296.01, 296.07, 296.08
CPC F21V 29/2262; F21V 7/06; F21V 21/044;
F21V 21/047; F21V 29/2212; F21V
29/2225; F21V 29/2256; F21V 29/225;
F21V 29/2268; F21Y 2111/002; F21S
8/02; F21S 8/026
See application file for complete search history.

OTHER PUBLICATIONS

Examiner's Report dated Dec. 5, 2019 in related CA Patent Appli-
cation No. 3,010,273 (4 pages).
(Continued)

Primary Examiner — Angela J Lee
(74) *Attorney, Agent, or Firm* — Bereskin & Parr
LLP/S.E.N.C.R.L., s.r.l.; Isis E. Caulder; Ahmed Elmallah

(57) **CLAIM**

The ornamental design for a light fixture, as shown and
described.

DESCRIPTION

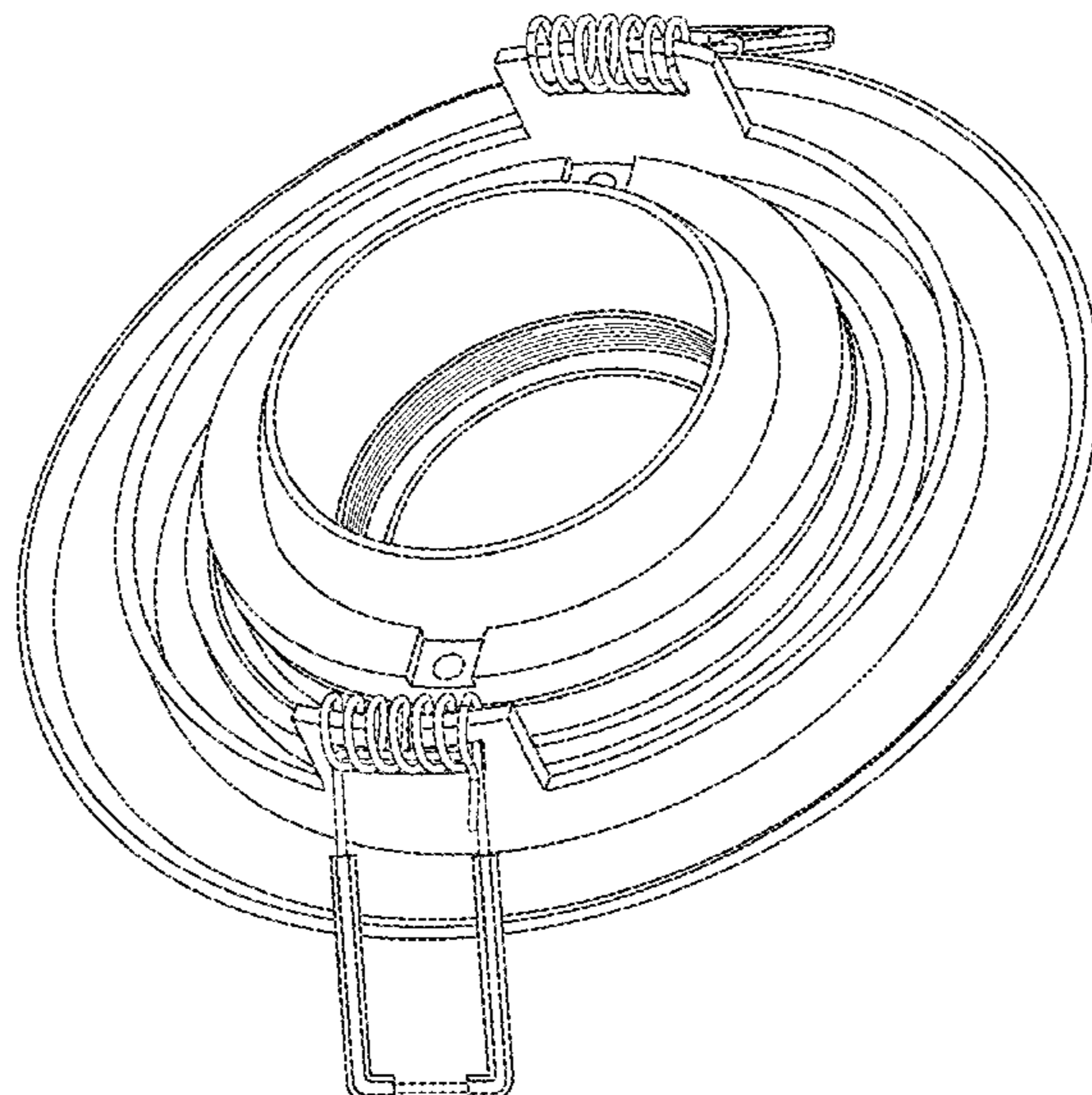
FIG. 1 shows a top perspective view for the light fixture;
FIG. 2 shows a front side elevation view of the design of
FIG. 1;
FIG. 3 shows a cross-sectional view of the design of FIG. 1,
taken along the cross-sectional line 3-3 of FIG. 5;
FIG. 4 shows a left side elevation view of the design of FIG.
1; and
FIG. 5 shows a top plan view of the design of FIG. 1; and,
FIG. 6 shows an exploded view of the design of FIG. 1.

(56) **References Cited**

U.S. PATENT DOCUMENTS

D291,253 S 8/1987 Ortega
5,457,617 A 10/1995 Chan et al.
D383,564 S * 9/1997 Lecluze D26/118
D397,486 S 8/1998 Engle et al.
D399,590 S * 10/1998 Lecluze D26/118
D437,074 S 1/2001 Johnson
D488,583 S * 4/2004 Benghozi D26/118

1 Claim, 6 Drawing Sheets



(56)

References Cited

U.S. PATENT DOCUMENTS

D639,994 S 6/2011 Wauters
 D642,317 S 7/2011 Rashidi
 D646,416 S 10/2011 Wauters
 D668,372 S 10/2012 Renshaw et al.
 D671,668 S * 11/2012 Rowlette, Jr. D26/74
 D677,418 S 3/2013 Wilson et al.
 D697,651 S 1/2014 Carpenter et al.
 D698,069 S 1/2014 Messisaen
 D699,880 S 2/2014 Szoke
 D705,473 S 5/2014 Messisaen
 D740,996 S 10/2015 Tragatschnig
 D766,497 S 9/2016 Salomon
 D772,466 S * 11/2016 Zhang D26/74
 D789,586 S 6/2017 Guzzini
 D793,579 S * 8/2017 Kristensen D25/48.7
 D816,257 S 4/2018 Ghasabi
 D824,566 S 7/2018 Santoro et al.
 D824,568 S 7/2018 Farzan
 D827,904 S 9/2018 Benghozi et al.
 D828,944 S * 9/2018 Xie D26/74
 D831,873 S 10/2018 Rybol et al.
 D848,048 S * 5/2019 Baumeister D26/74
 D854,218 S 7/2019 Coirier

D854,726 S 7/2019 Goetz-Schaefer
 D855,235 S 7/2019 Goetz-Schaefer
 D855,861 S * 8/2019 Perrone D26/74
 D866,040 S * 11/2019 Wu D26/74
 2007/0159816 A1 7/2007 Bayat et al.
 2014/0355274 A1 12/2014 Santiago et al.
 2015/0292692 A1 10/2015 Elmvang
 2016/0123545 A1 5/2016 Li
 2016/0348861 A1 12/2016 Bailey et al.
 2018/0266635 A1 9/2018 Dong et al.
 2019/0234577 A1 8/2019 Zhan et al.
 2019/0346120 A1 11/2019 Dong et al.

OTHER PUBLICATIONS

Notices of Allowance and References Cited dated Jan. 2, 2020 in corresponding U.S. Appl. No. 29/640,775 (8 pages).
 Restriction Requirement and Notice of References Cited dated Jul. 5, 2019 in corresponding Design U.S. Appl. No. 29/640,775.
 Non-final Office Action and Notice of References Cited dated Sep. 2, 2020 in U.S. Appl. No. 16/026,604 (22 pages).
 Ex parte Quayle Office Action and Notice of References Cited dated Oct. 30, 2020 in Design U.S. Appl. No. 29/704,788 (6 pages).

* cited by examiner

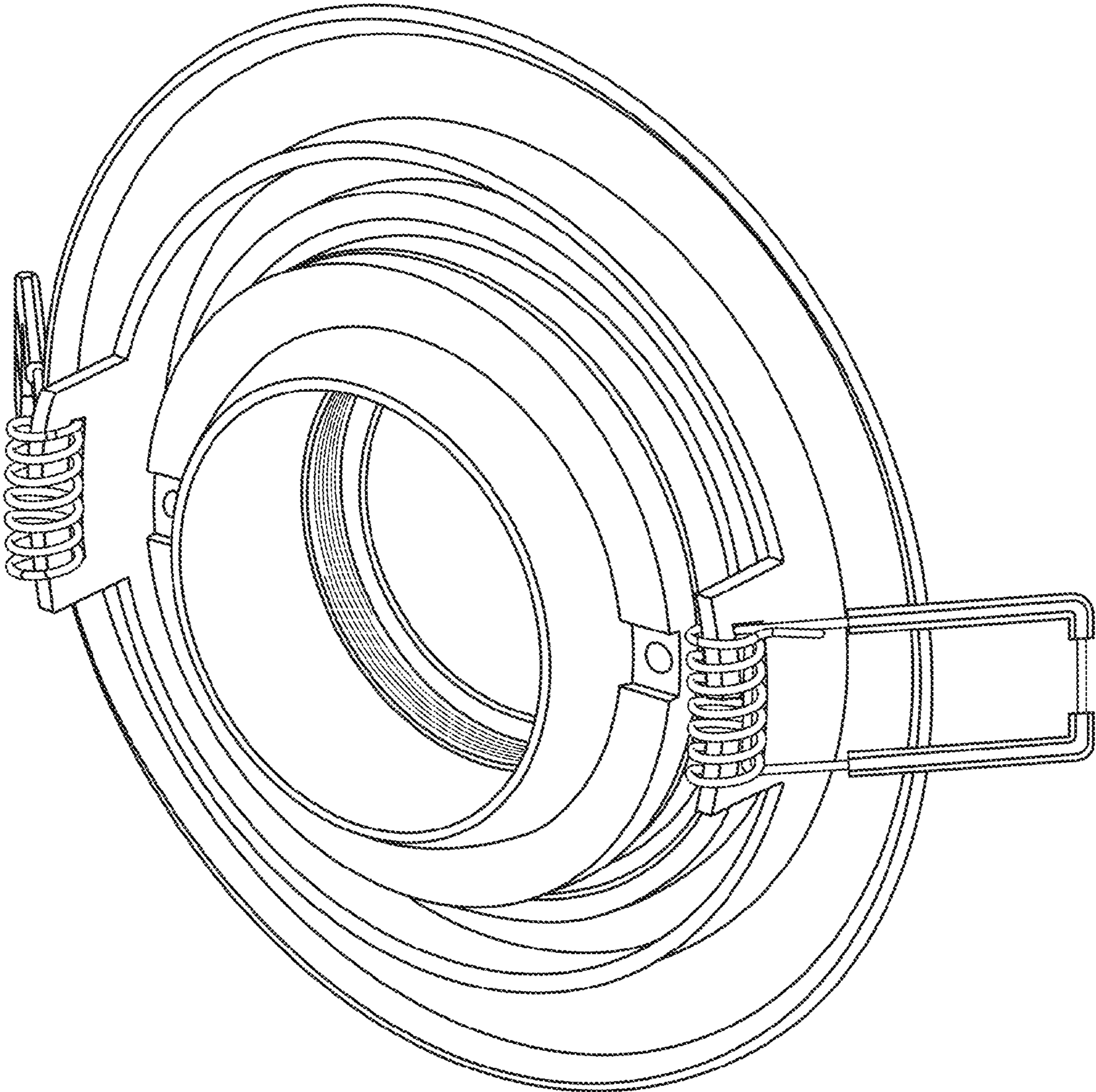


FIG. 1

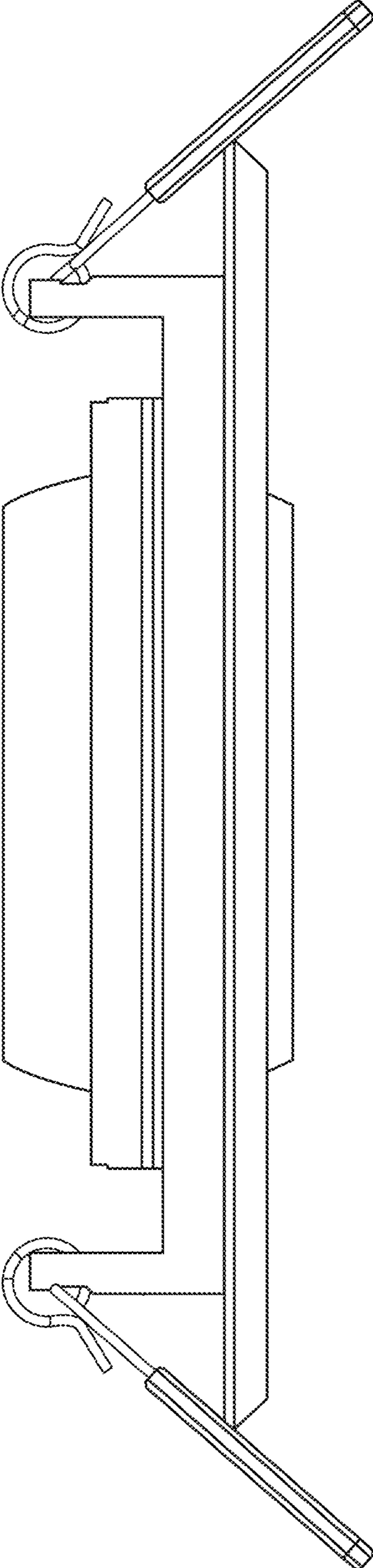


FIG. 2

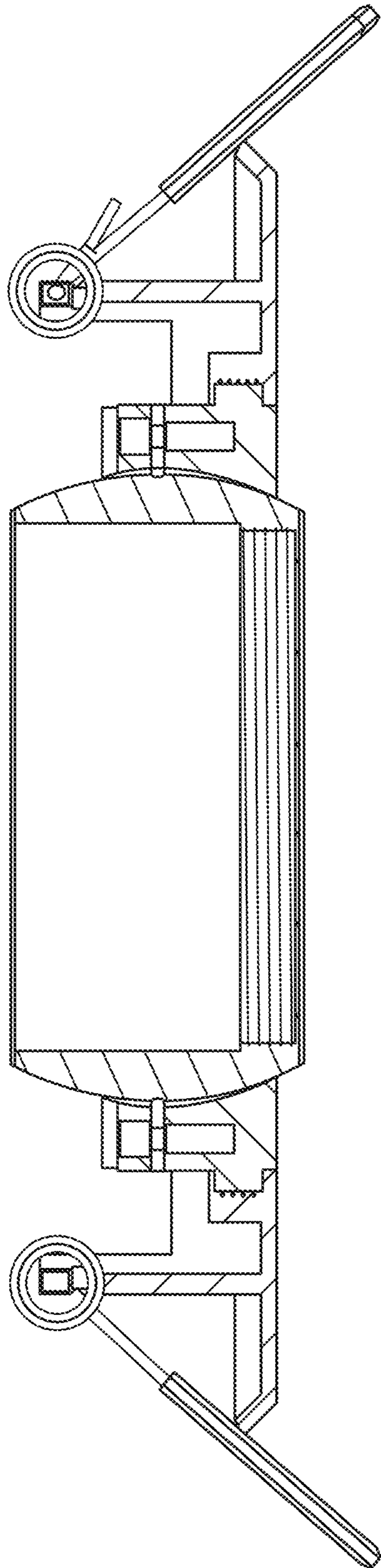


FIG. 3

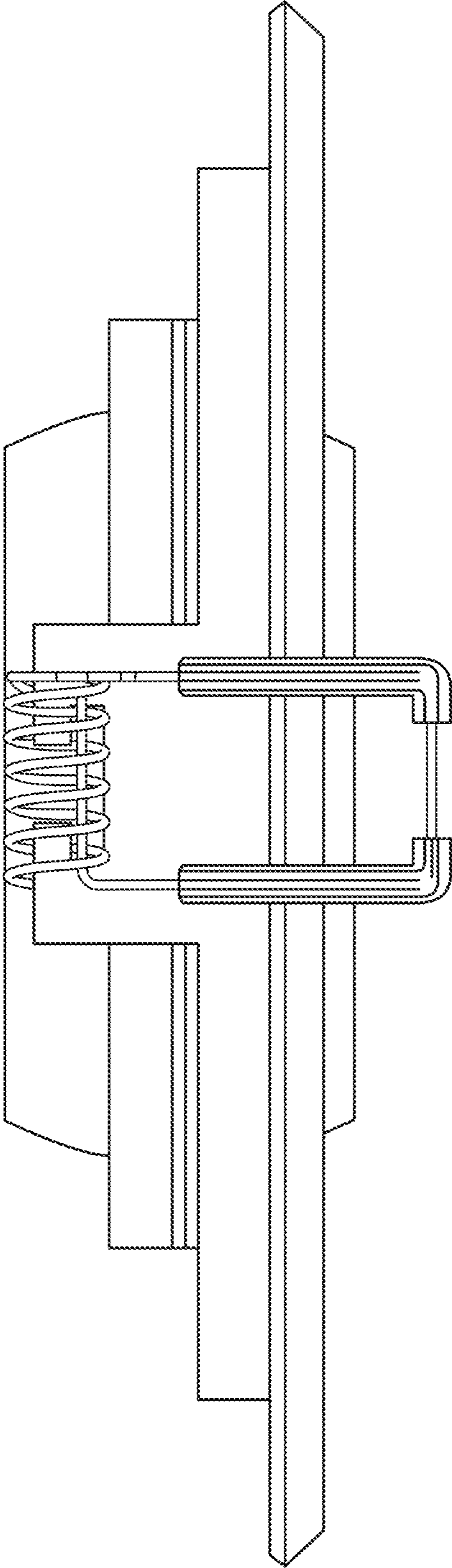


FIG. 4

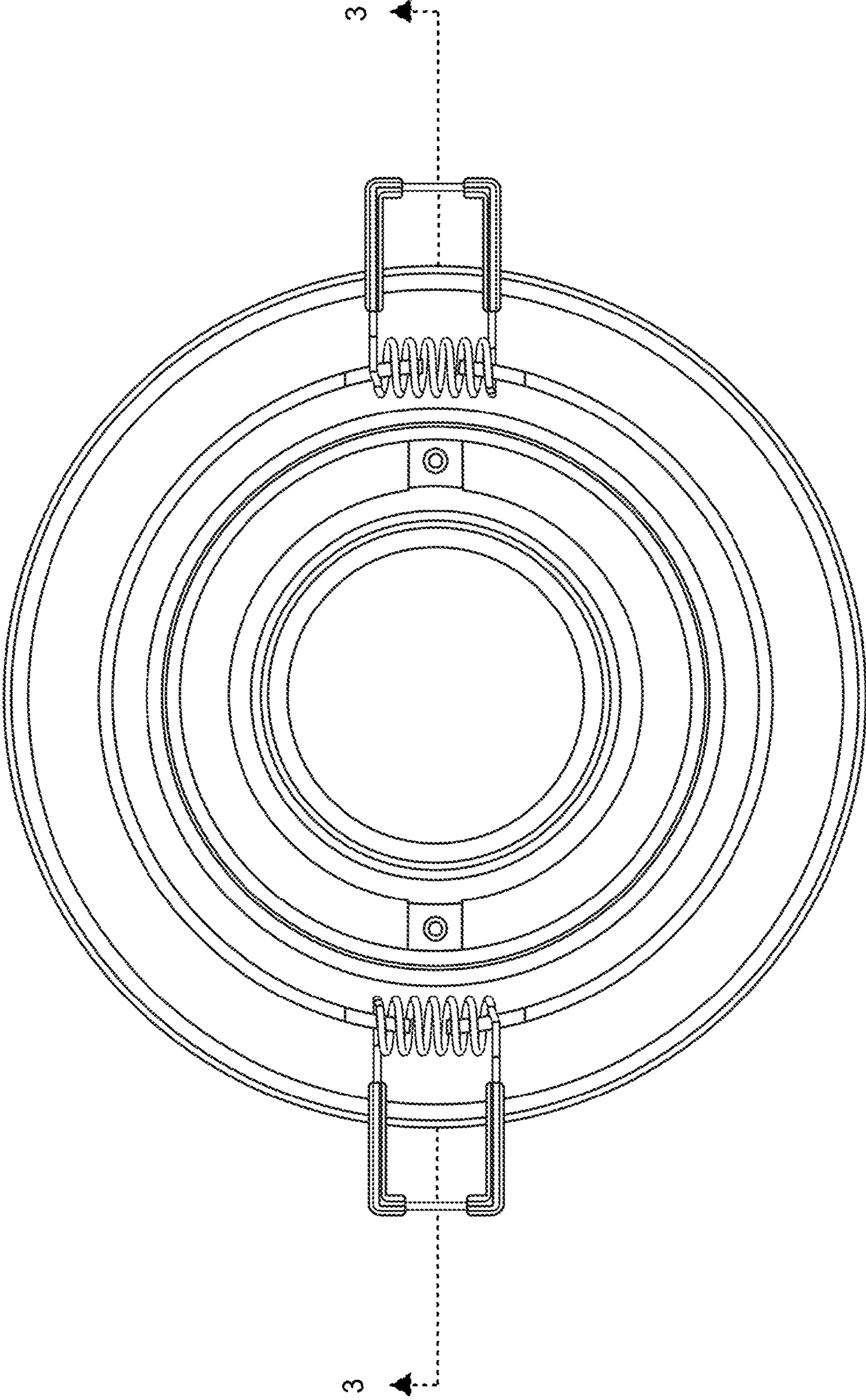


FIG. 5

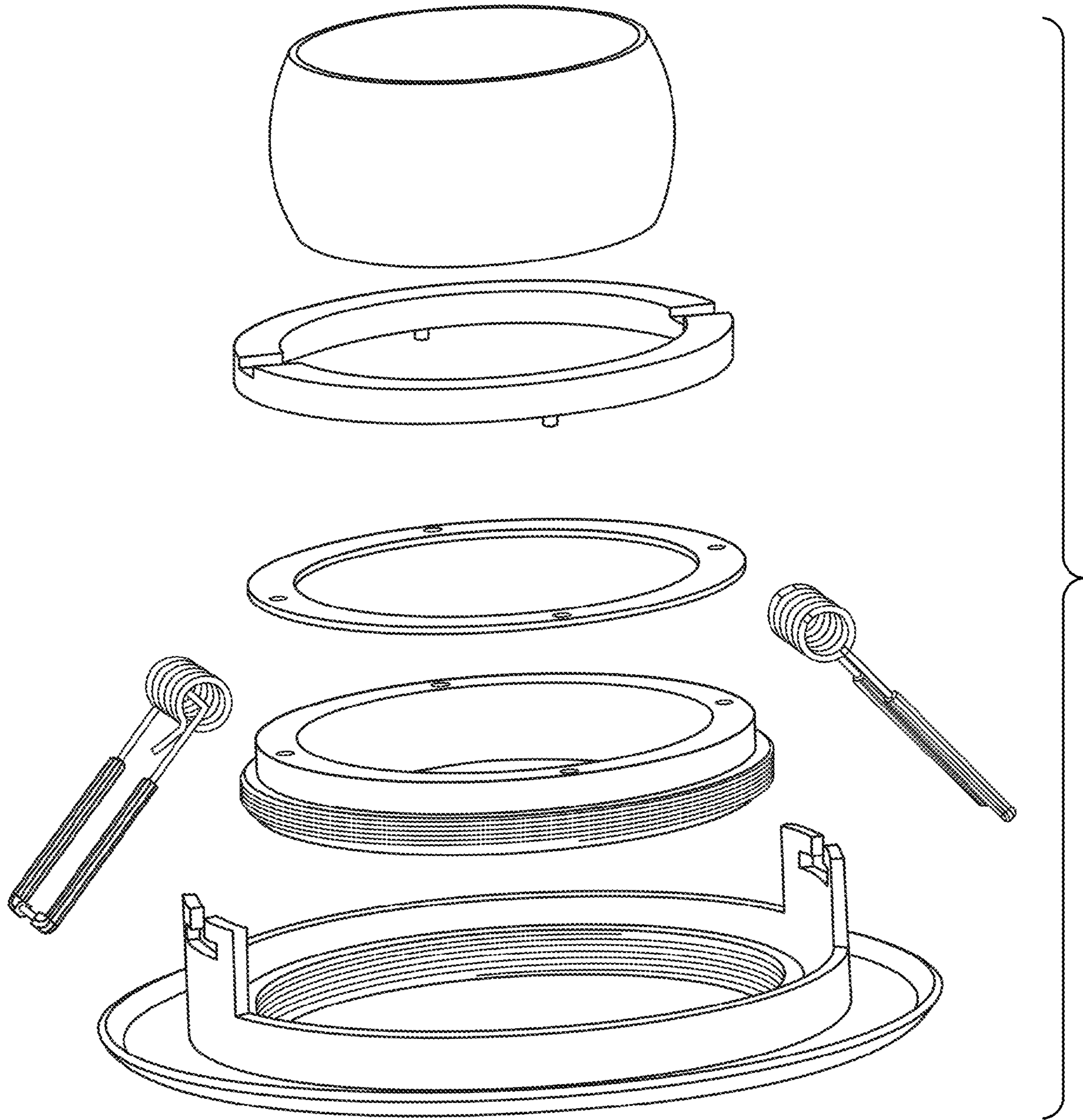


FIG. 6