



US00D919870S

(12) **United States Design Patent**
Li

(10) **Patent No.:** **US D919,870 S**

(45) **Date of Patent:** **** May 18, 2021**

(54) **GARAGE LAMP**

(71) Applicant: **Jie Li**, Changde (CN)

(72) Inventor: **Jie Li**, Changde (CN)

(**) Term: **15 Years**

(21) Appl. No.: **29/764,099**

(22) Filed: **Dec. 28, 2020**

(51) **LOC (13) Cl.** **26-03**

(52) **U.S. Cl.**
USPC **D26/63**

(58) **Field of Classification Search**

USPC D26/2, 61, 63, 64, 65

CPC F21S 6/00; F21S 8/00; F21S 8/024; F21S
8/003; F21V 21/00; F21V 21/06; F21V
21/26; F21V 21/28; F21V 17/02; F21W
2121/10; F21W 2131/30

See application file for complete search history.

(56) **References Cited**

U.S. PATENT DOCUMENTS

D855,247 S * 7/2019 Wang D26/118
D883,550 S * 5/2020 Deng D26/63

D885,629 S 5/2020 Liu
D887,610 S 6/2020 Wei
D889,015 S * 6/2020 Li D26/63
D907,832 S * 1/2021 Gong D26/72

* cited by examiner

Primary Examiner — Brian N. Vinson

(57) **CLAIM**

The ornamental design for a garage lamp, as shown and described.

DESCRIPTION

FIG. 1 is a perspective view of a garage lamp showing my new design;

FIG. 2 is another perspective view thereof;

FIG. 3 is a front view thereof;

FIG. 4 is a left side view thereof;

FIG. 5 is a right side view thereof;

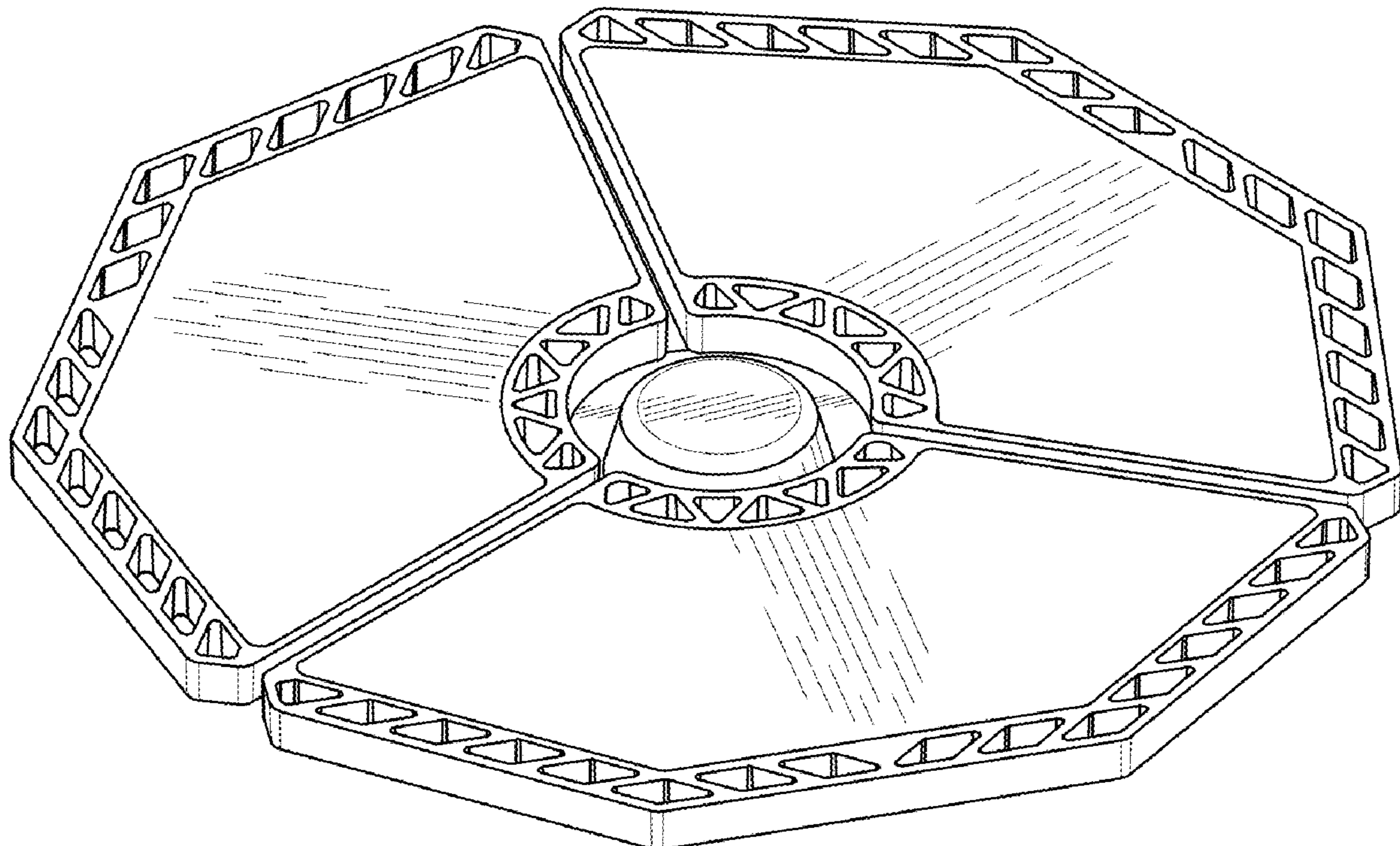
FIG. 6 is a rear view thereof;

FIG. 7 is a top plan view thereof; and,

FIG. 8 is a bottom plan view thereof.

The broken lines in the figures illustrate portions of the garage lamp that form no part of the claimed design.

1 Claim, 8 Drawing Sheets



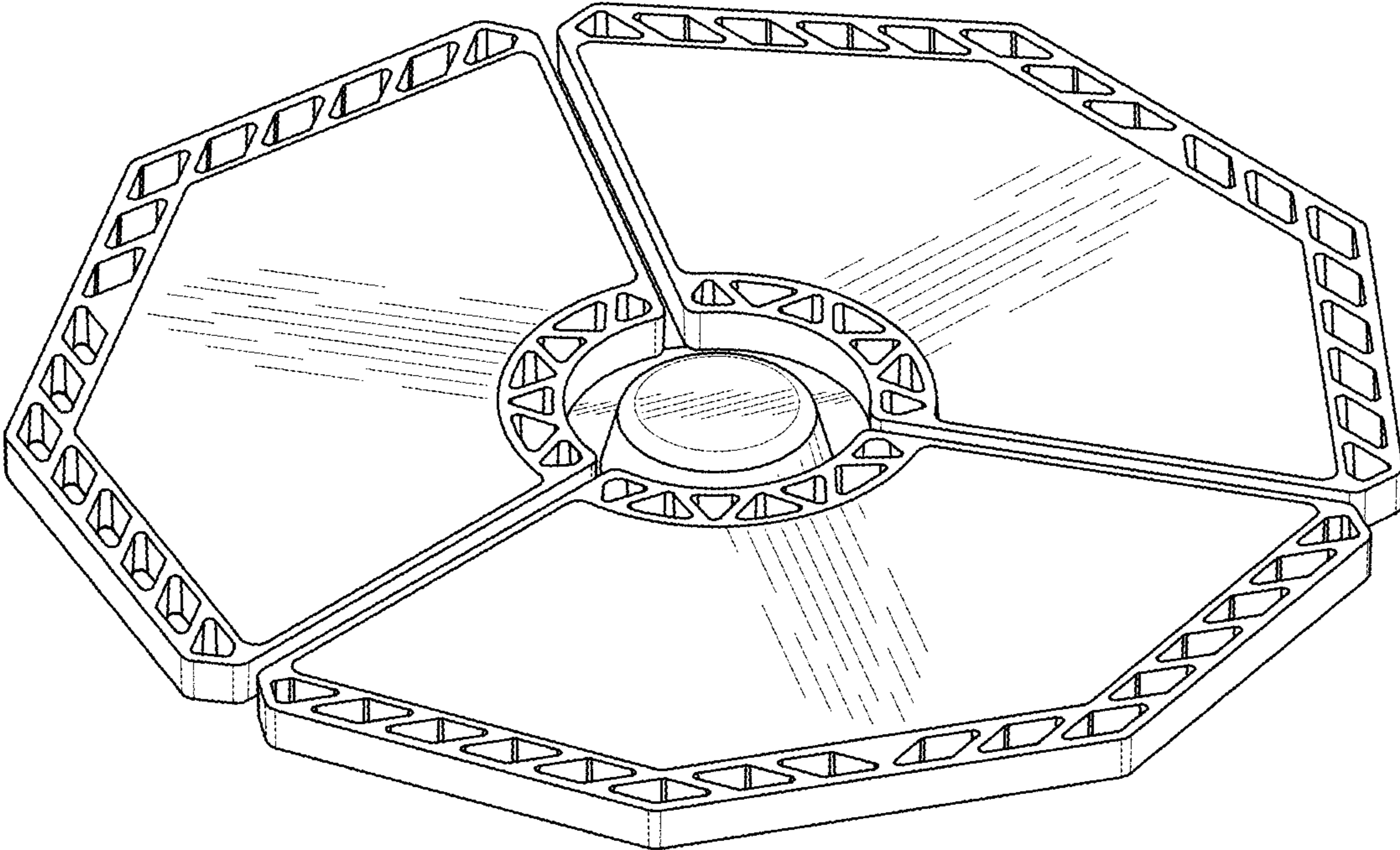


FIG. 1

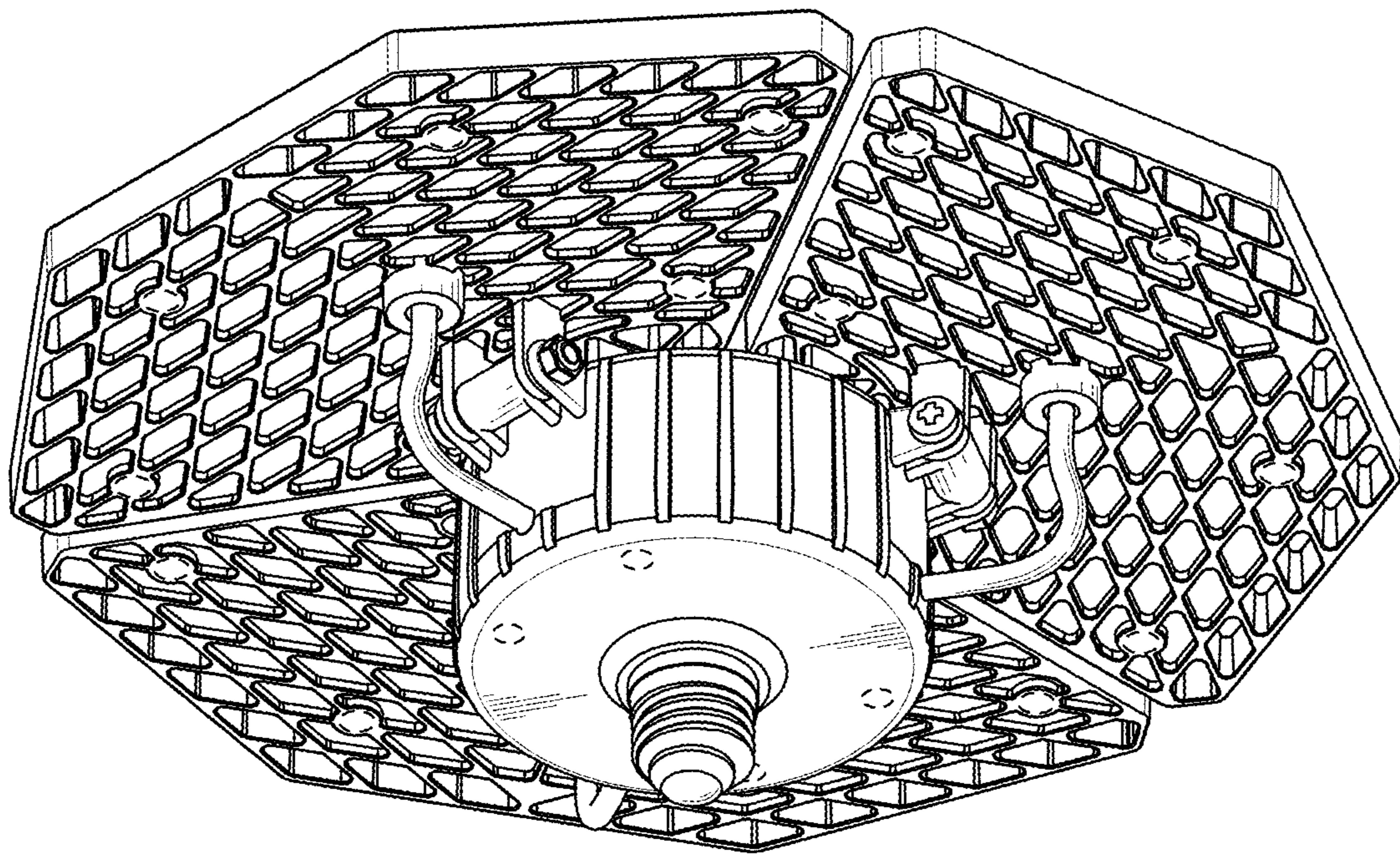


FIG. 2

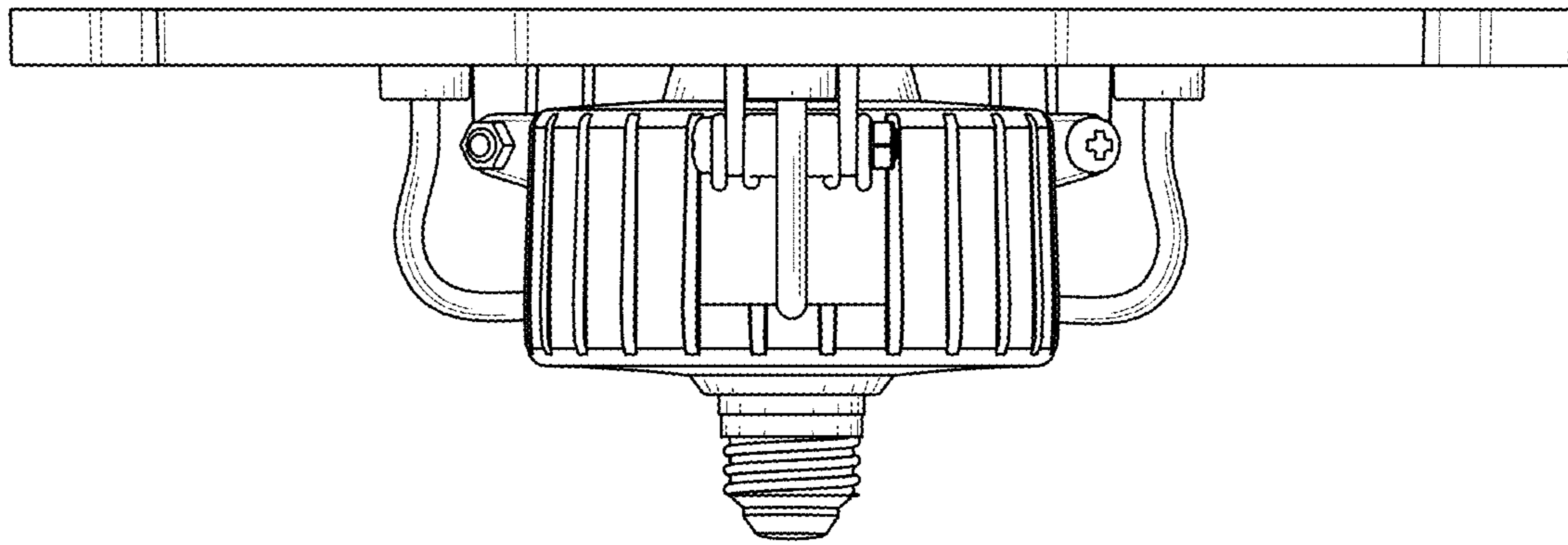


FIG. 3

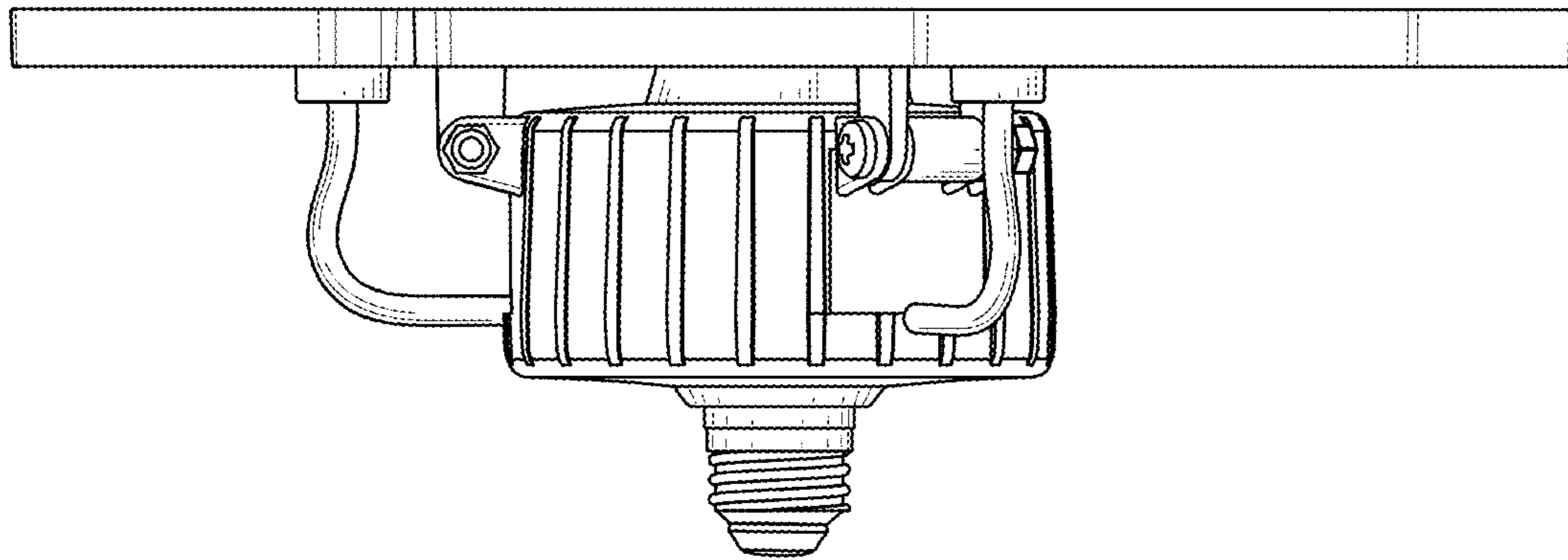


FIG. 4

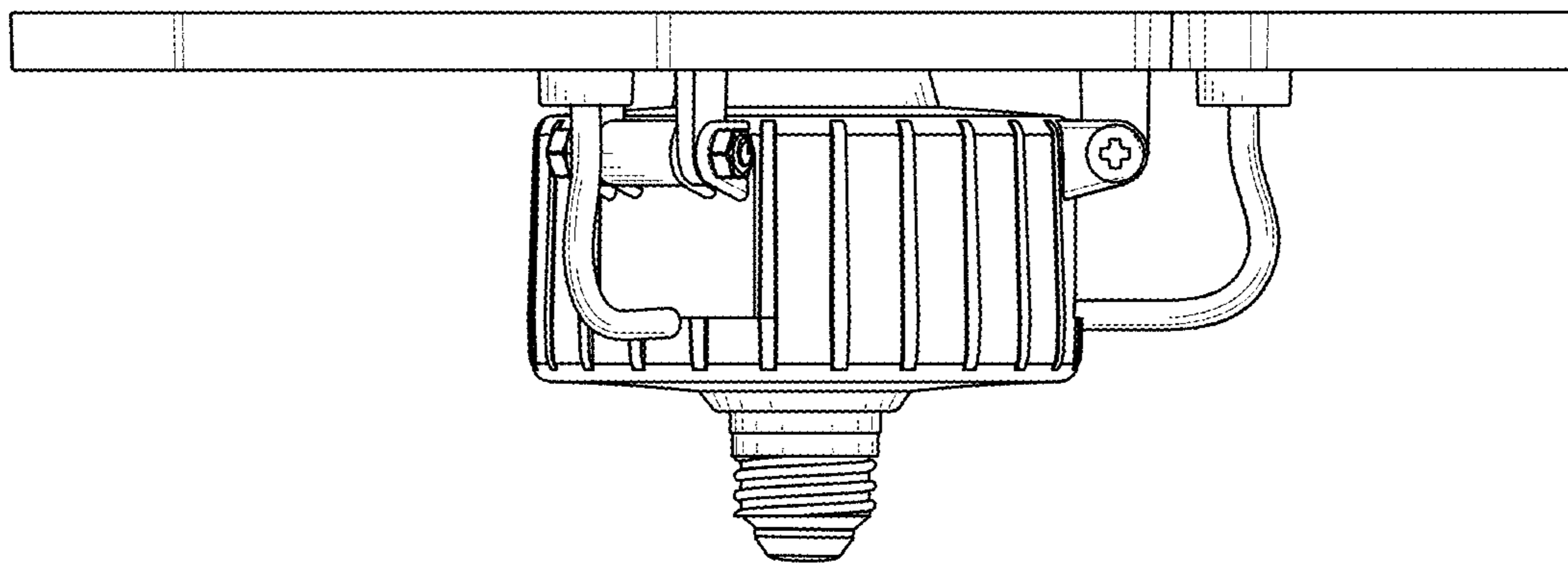


FIG. 5

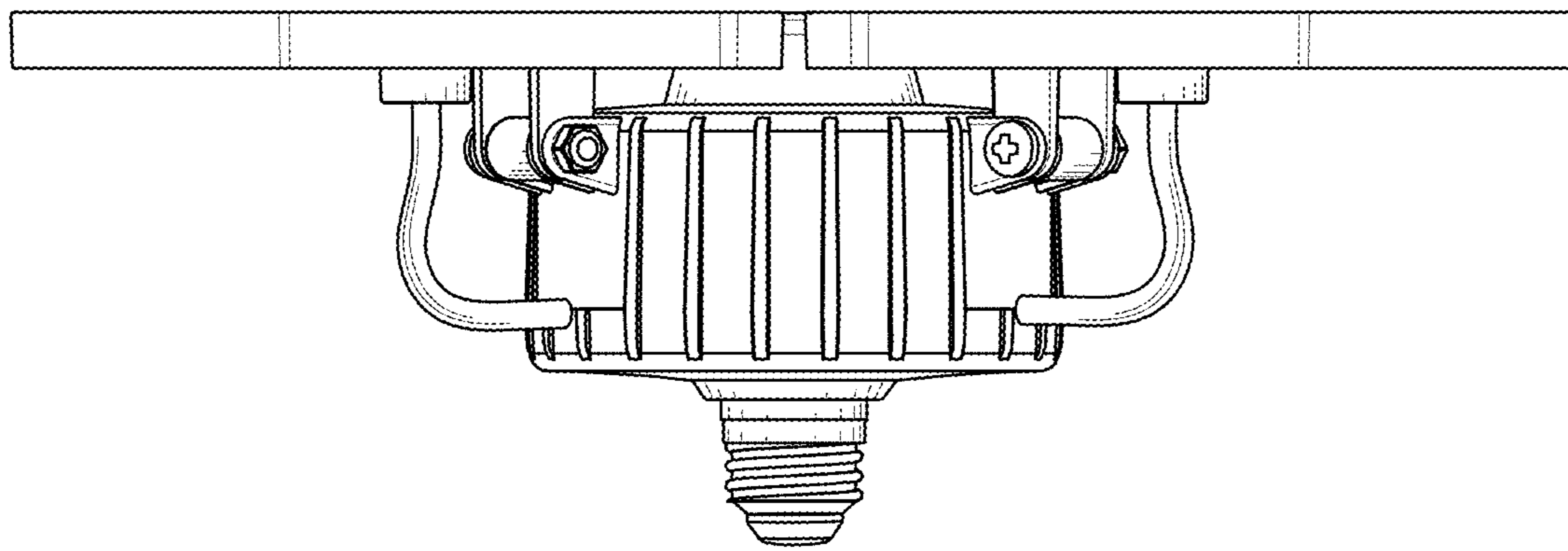


FIG. 6

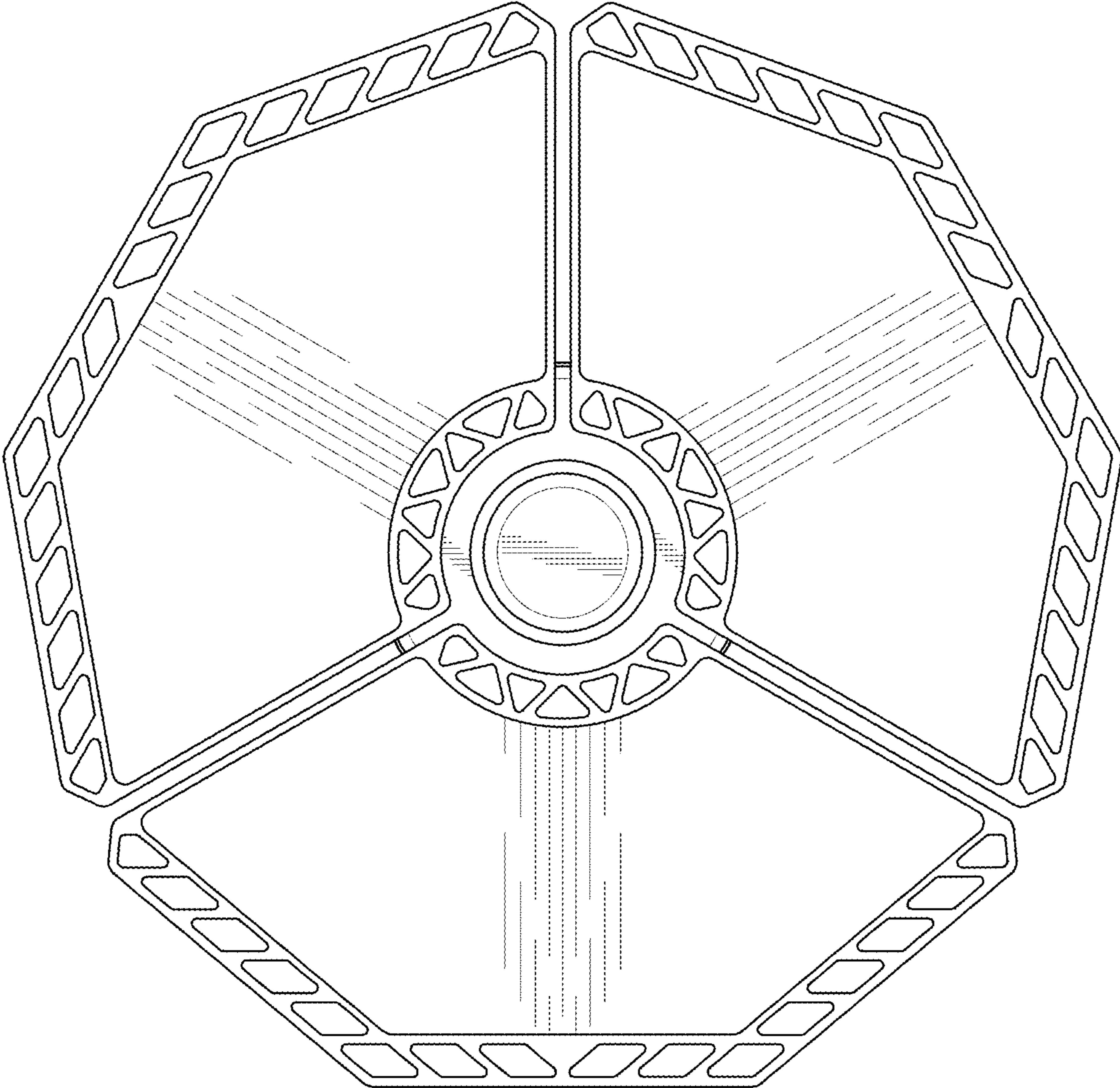


FIG. 7

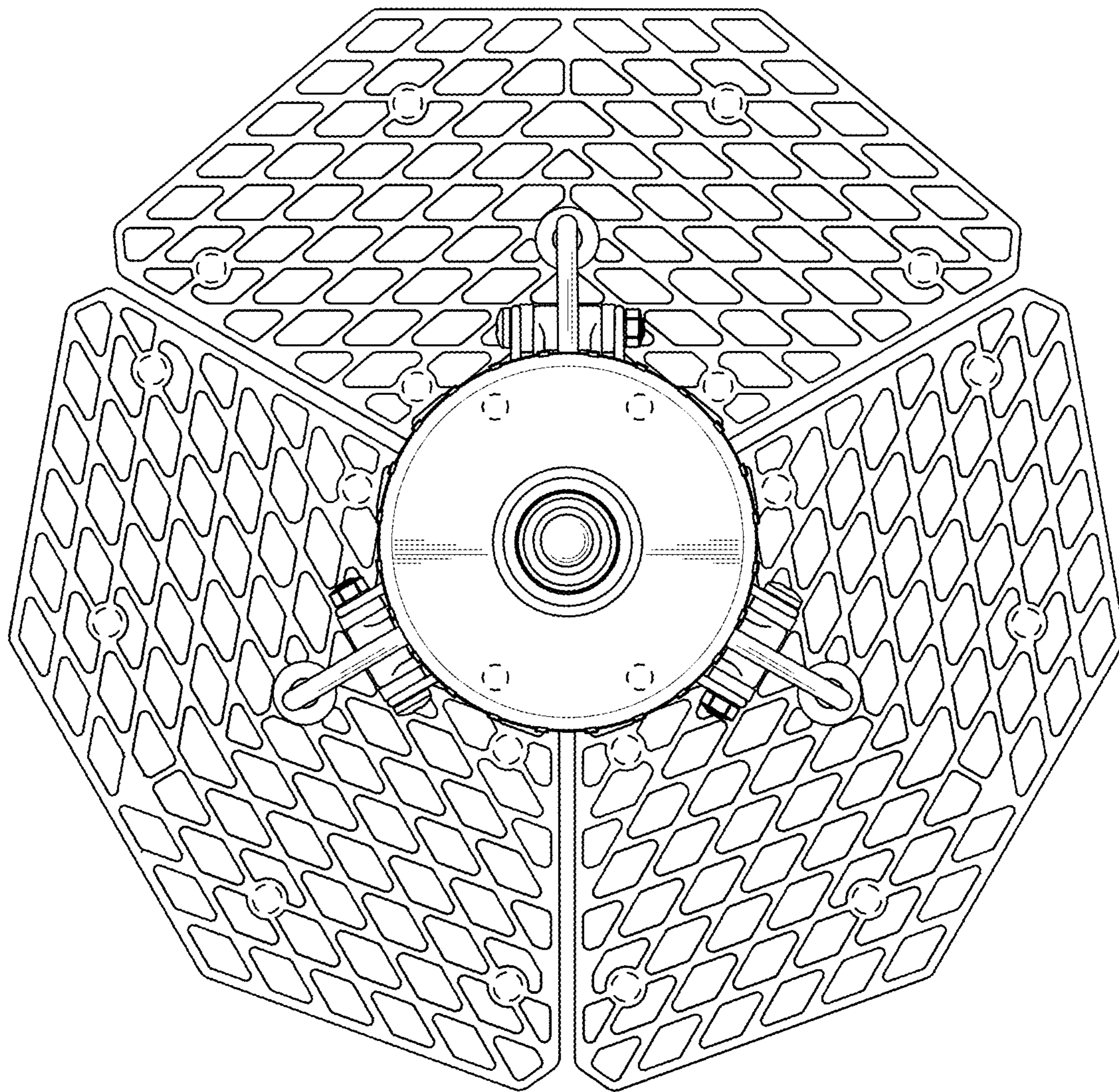


FIG. 8