



US00D919869S

(12) **United States Design Patent**
Yang et al.

(10) **Patent No.:** **US D919,869 S**
(45) **Date of Patent:** **** May 18, 2021**

(54) **LED DEFORMABLE LAMP**

(71) Applicant: **ShenZhen BANQ Technology CO., Ltd, Guangdong (CN)**

(72) Inventors: **Peng Yang, Guangdong (CN); Zhou Jiang, Guangdong (CN); Di Xiao, Guangdong (CN)**

(73) Assignee: **ShenZhen BANQ Technology CO., Ltd, Guangdong (CN)**

(**) Term: **15 Years**

(21) Appl. No.: **29/728,651**

(22) Filed: **Mar. 20, 2020**

(30) **Foreign Application Priority Data**

Nov. 18, 2019 (CN) 201930634124.9

(51) **LOC (13) Cl.** **26-03**

(52) **U.S. Cl.**
USPC **D26/63; D26/2**

(58) **Field of Classification Search**
USPC D26/2, 61, 63, 64, 65
CPC F21S 6/00; F21S 8/00; F21S 8/024; F21V 21/00; F21V 21/06; F21V 21/26; F21V 21/28; F21V 17/02; F21W 2121/10; F21W 2131/30

See application file for complete search history.

(56) **References Cited**

U.S. PATENT DOCUMENTS

D861,926 S * 10/2019 Lin D26/2
D879,334 S * 3/2020 Lin D26/2
D879,335 S * 3/2020 Lin D26/2
D879,349 S * 3/2020 Li D26/63

D882,851 S * 4/2020 Deng D26/63
D886,353 S * 6/2020 Du D26/63
D907,829 S * 1/2021 Rajasekaran D26/63
D908,250 S * 1/2021 Xu D26/2

* cited by examiner

Primary Examiner — Brian N. Vinson

(74) *Attorney, Agent, or Firm* — JCIP Global Inc.

(57) **CLAIM**

The ornamental design for an LED deformable lamp, as shown and described.

DESCRIPTION

FIG. 1 is a perspective view of an LED deformable lamp showing our new design;

FIG. 2 is another perspective view thereof;

FIG. 3 is a front view thereof;

FIG. 4 is a rear view thereof;

FIG. 5 is a left side view thereof;

FIG. 6 is a right side view thereof;

FIG. 7 is a top view thereof;

FIG. 8 is a bottom view thereof;

FIG. 9 is a perspective view thereof with the LED boards rotated;

FIG. 10 is a perspective view thereof with the LED boards rotated and the article rotated 120 degrees with respect to FIG. 9;

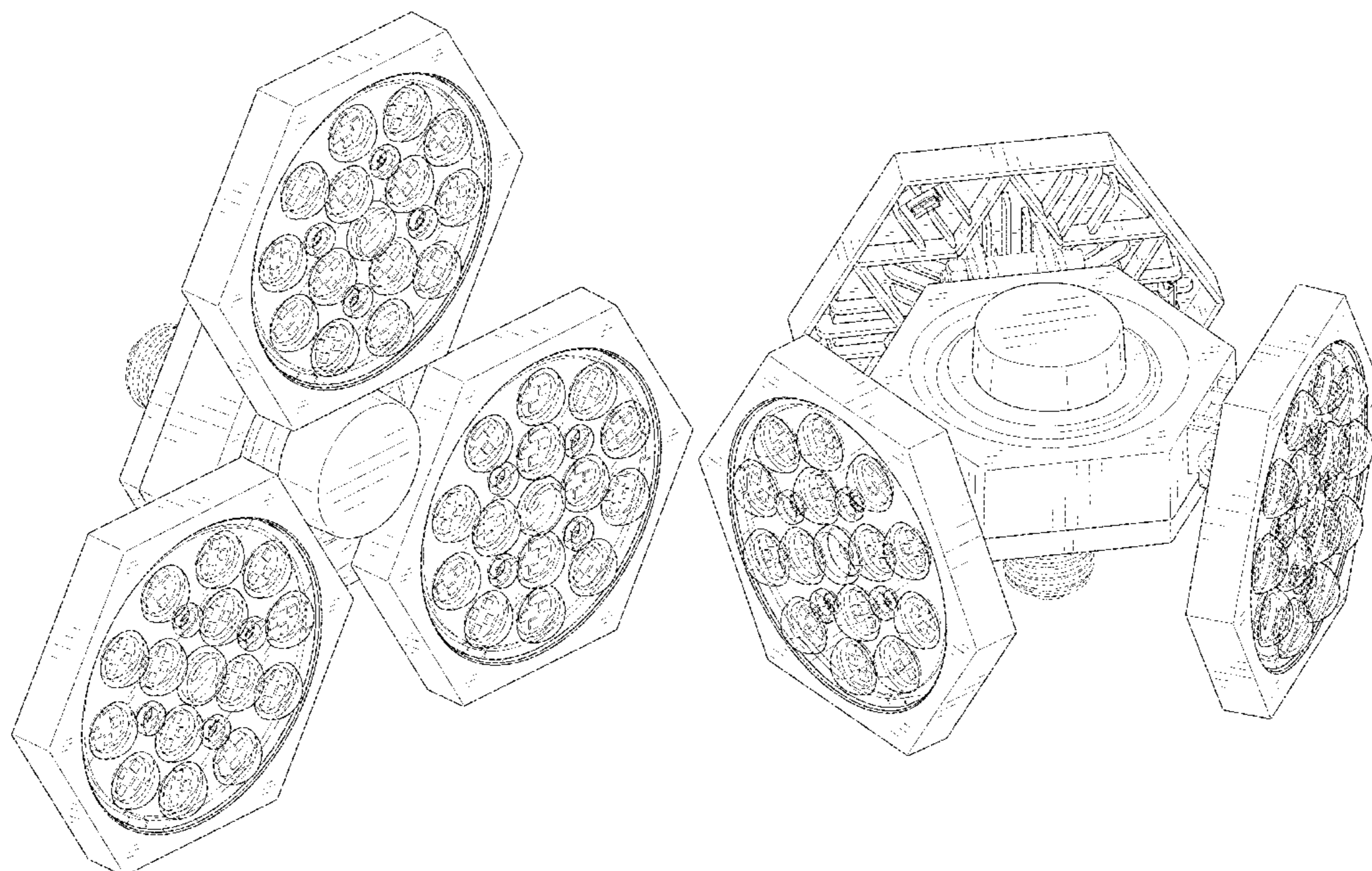
FIG. 11 is a perspective view thereof with the LED boards rotated and the article rotated 240 degrees with respect to FIG. 9;

FIG. 12 is a top view thereof with the LED boards rotated; and,

FIG. 13 is a bottom view thereof with the LED boards rotated.

The broken lines illustrate portions of the LED deformable lamp that form no part of the claimed design.

1 Claim, 11 Drawing Sheets



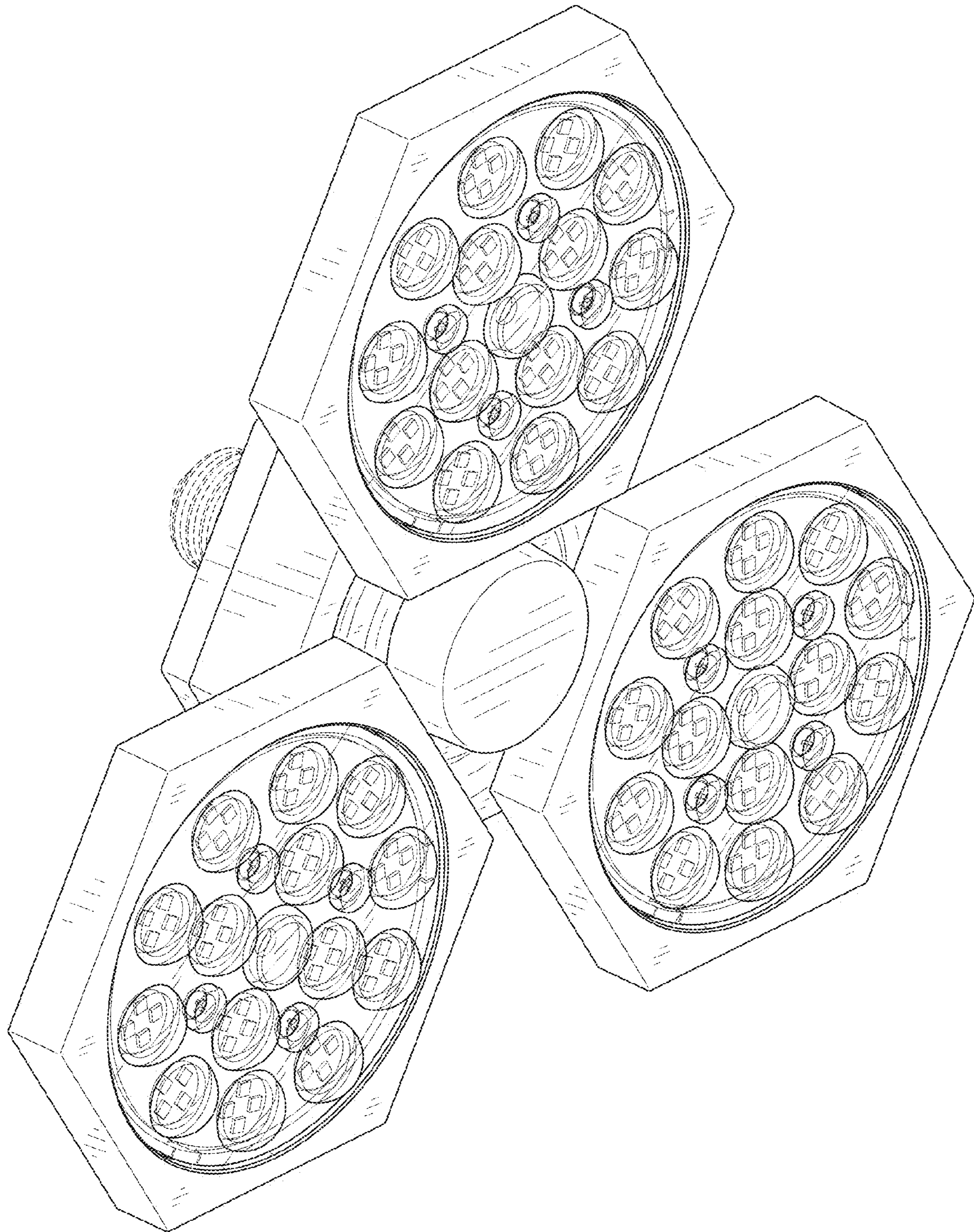


FIG. 1

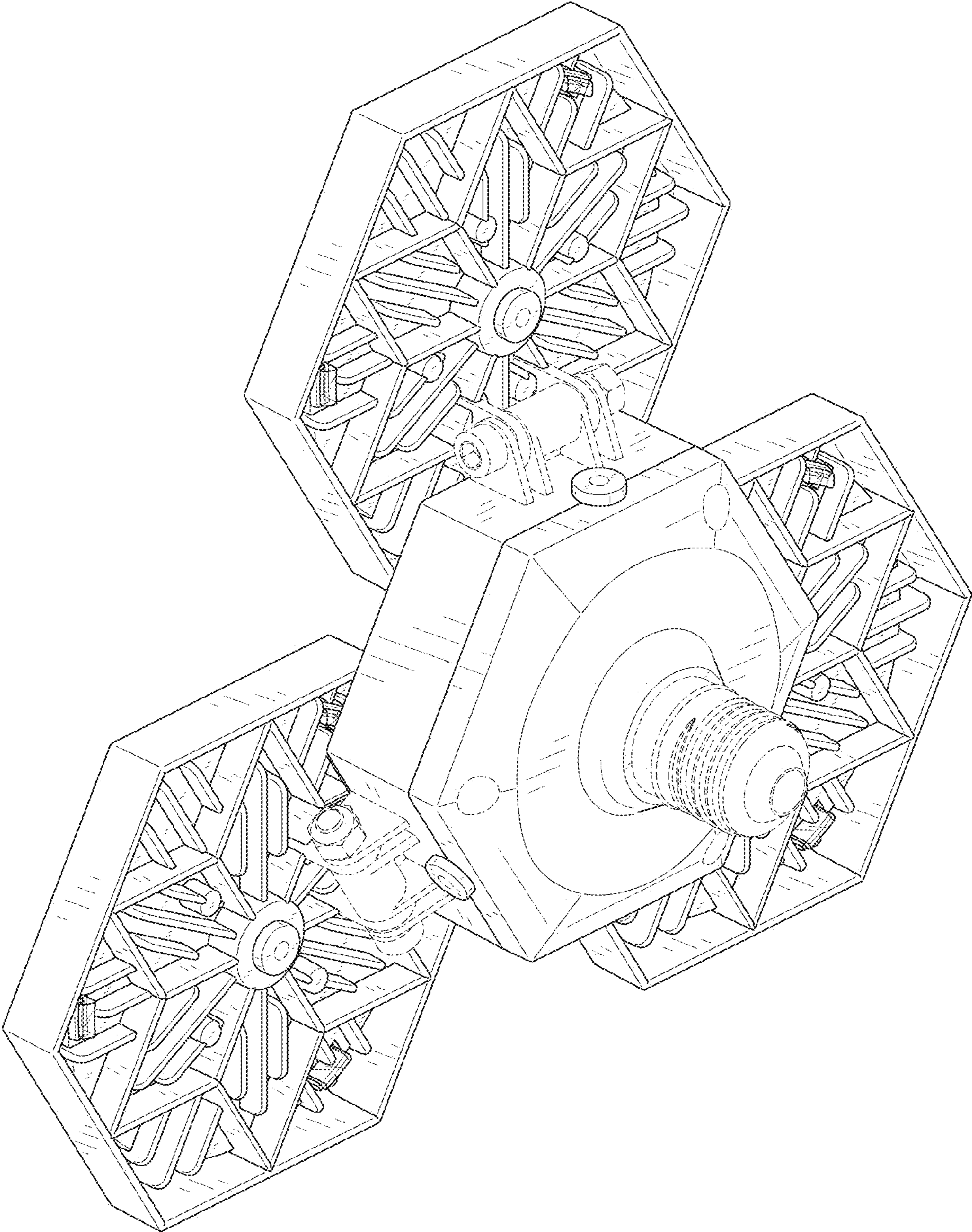


FIG. 2

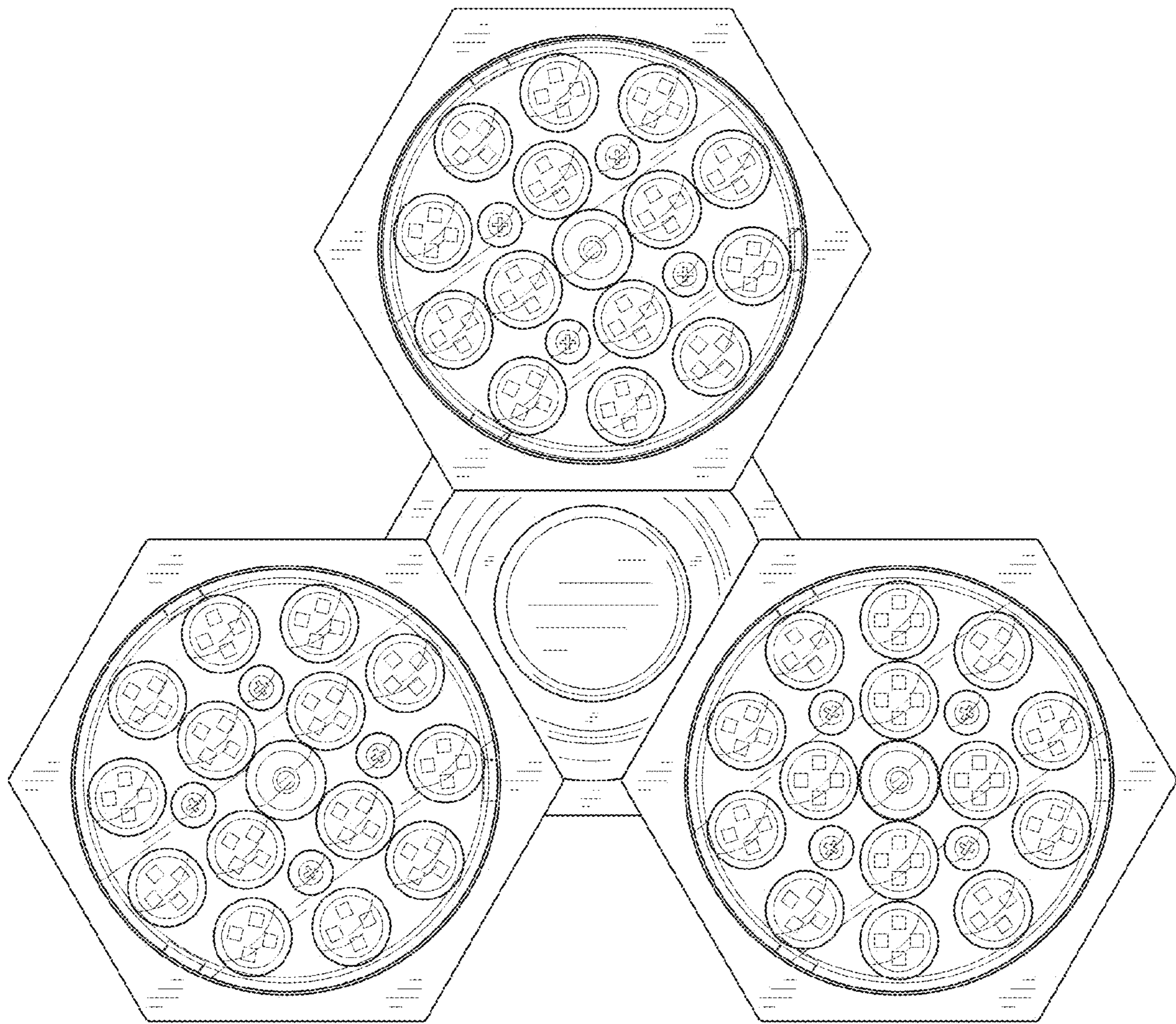


FIG. 3

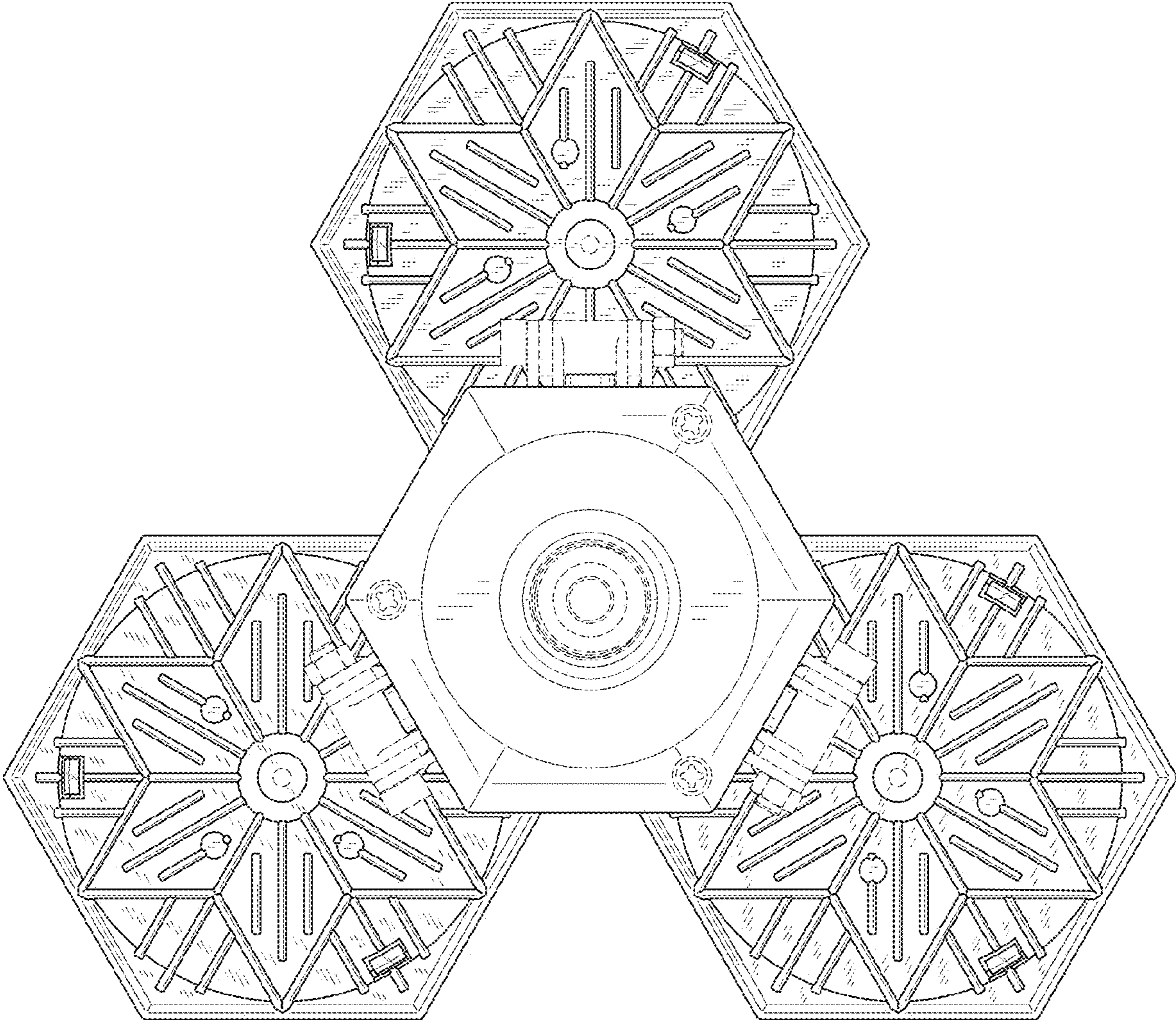


FIG. 4

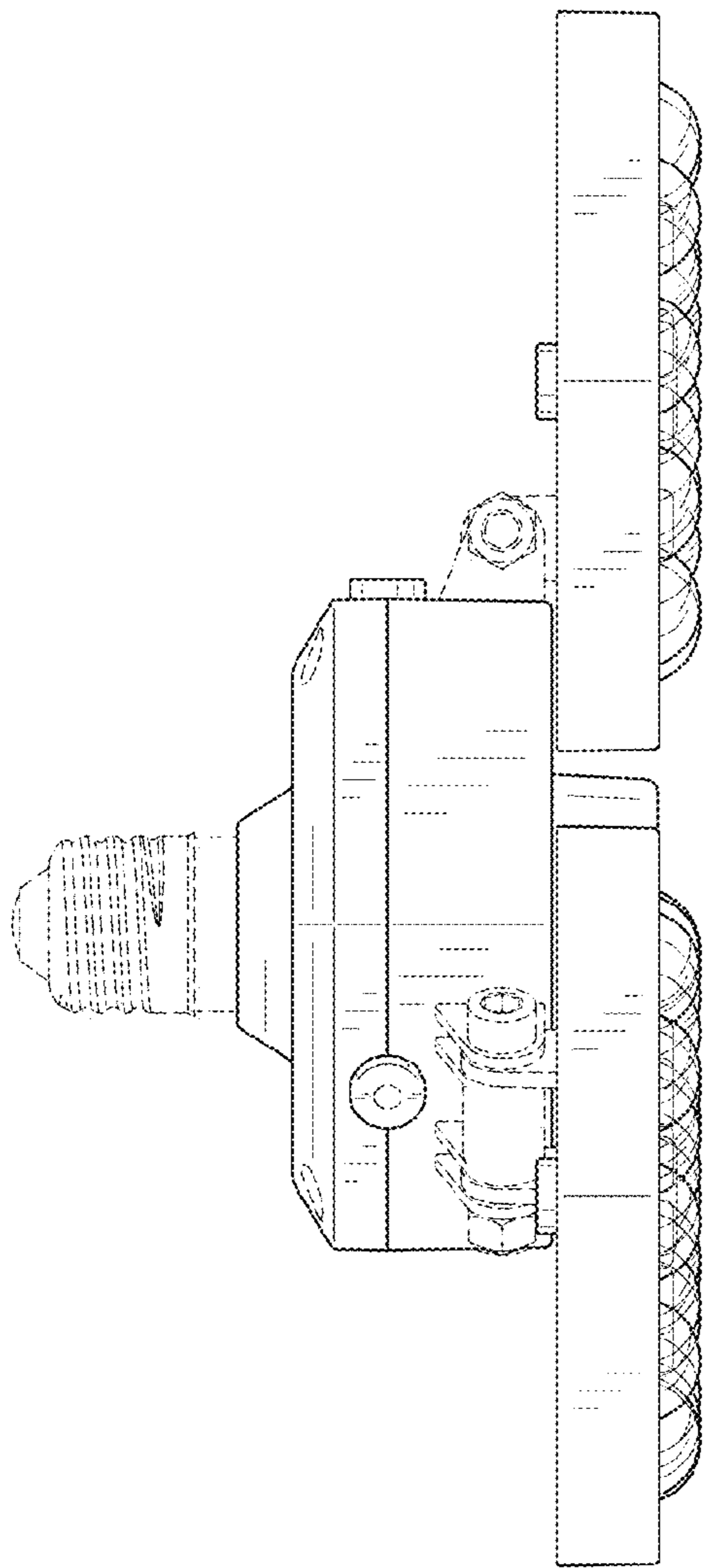


FIG. 5

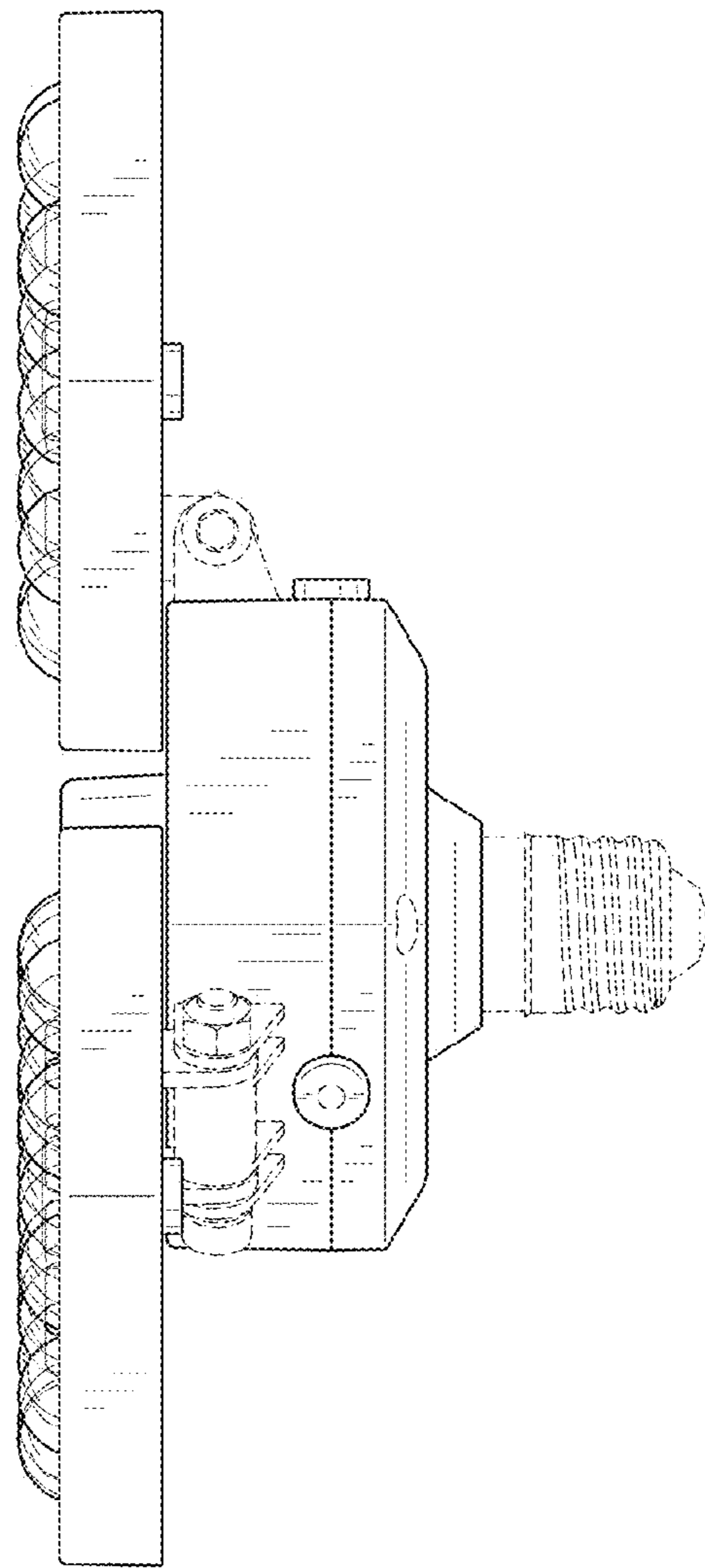


FIG. 6

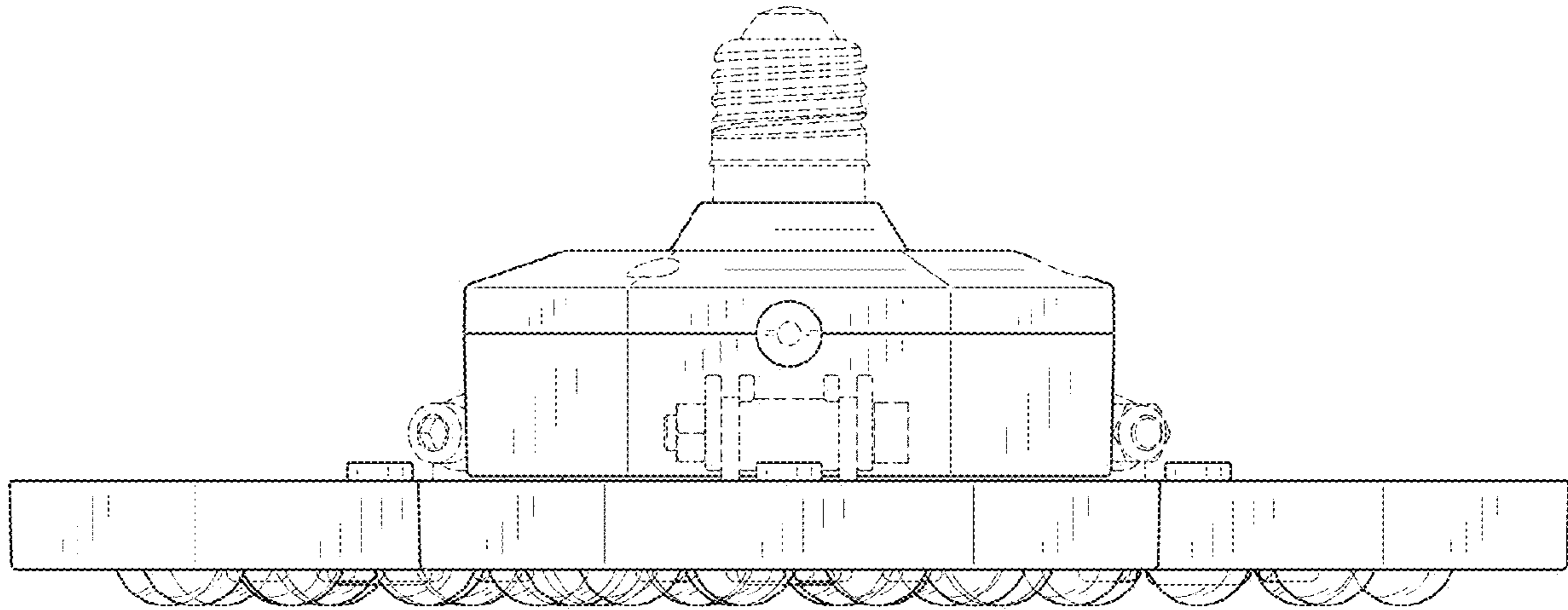


FIG. 7

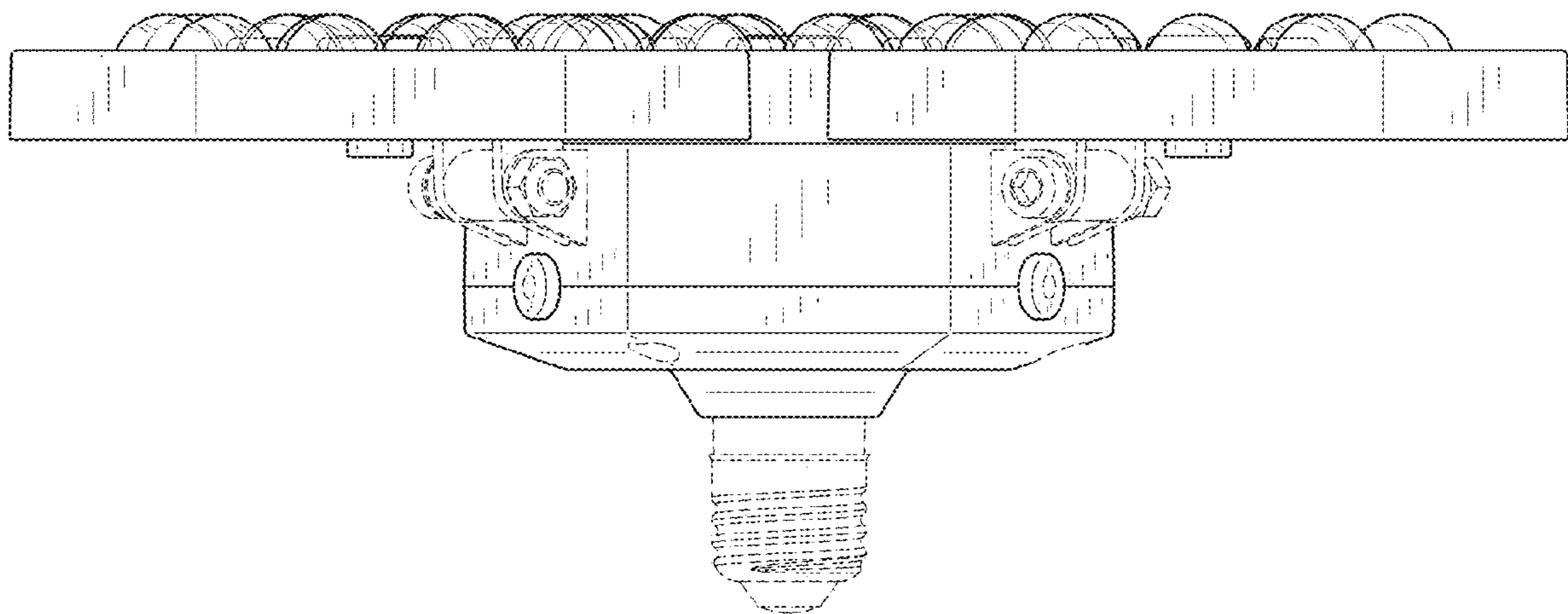


FIG. 8

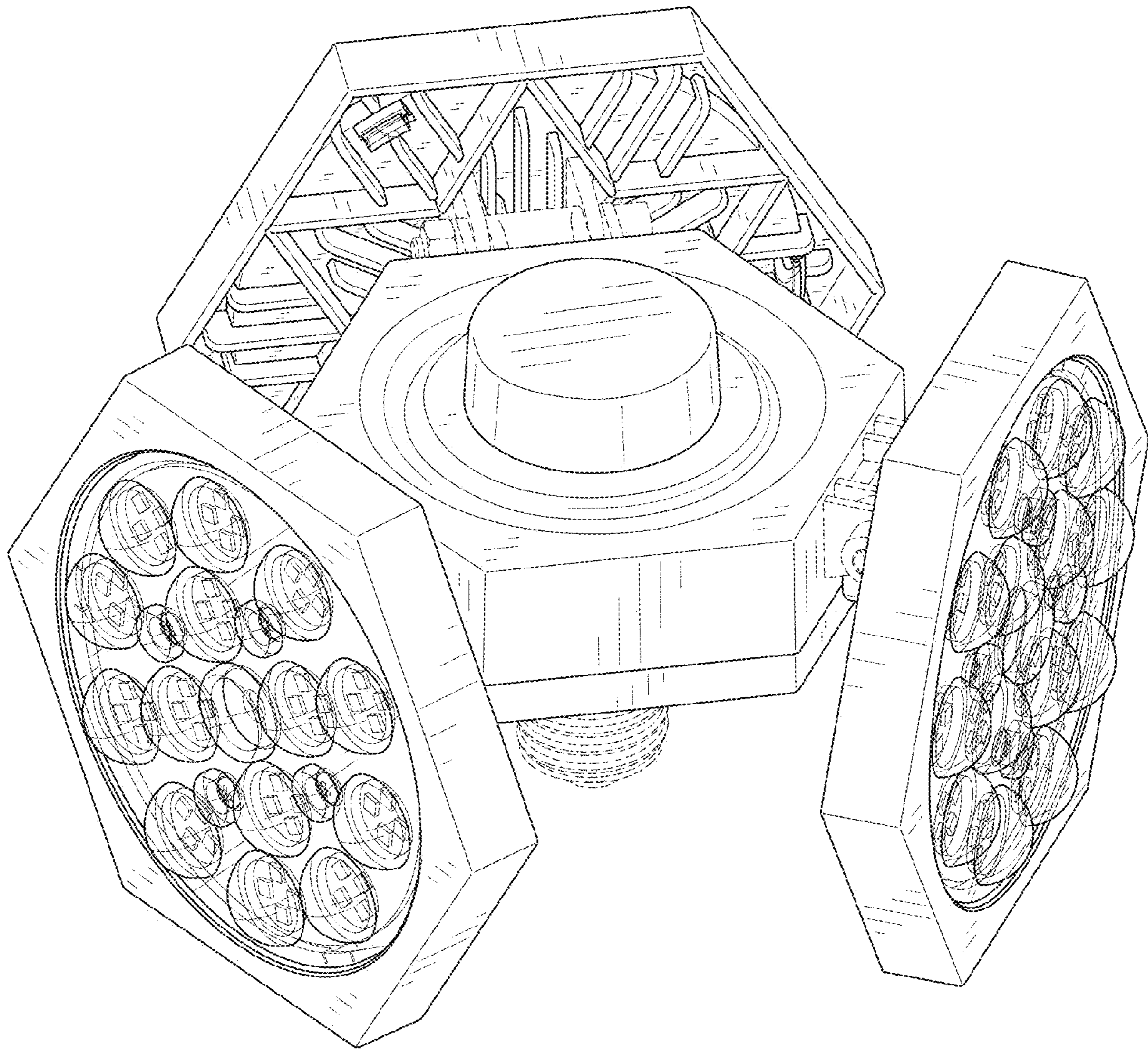


FIG. 9

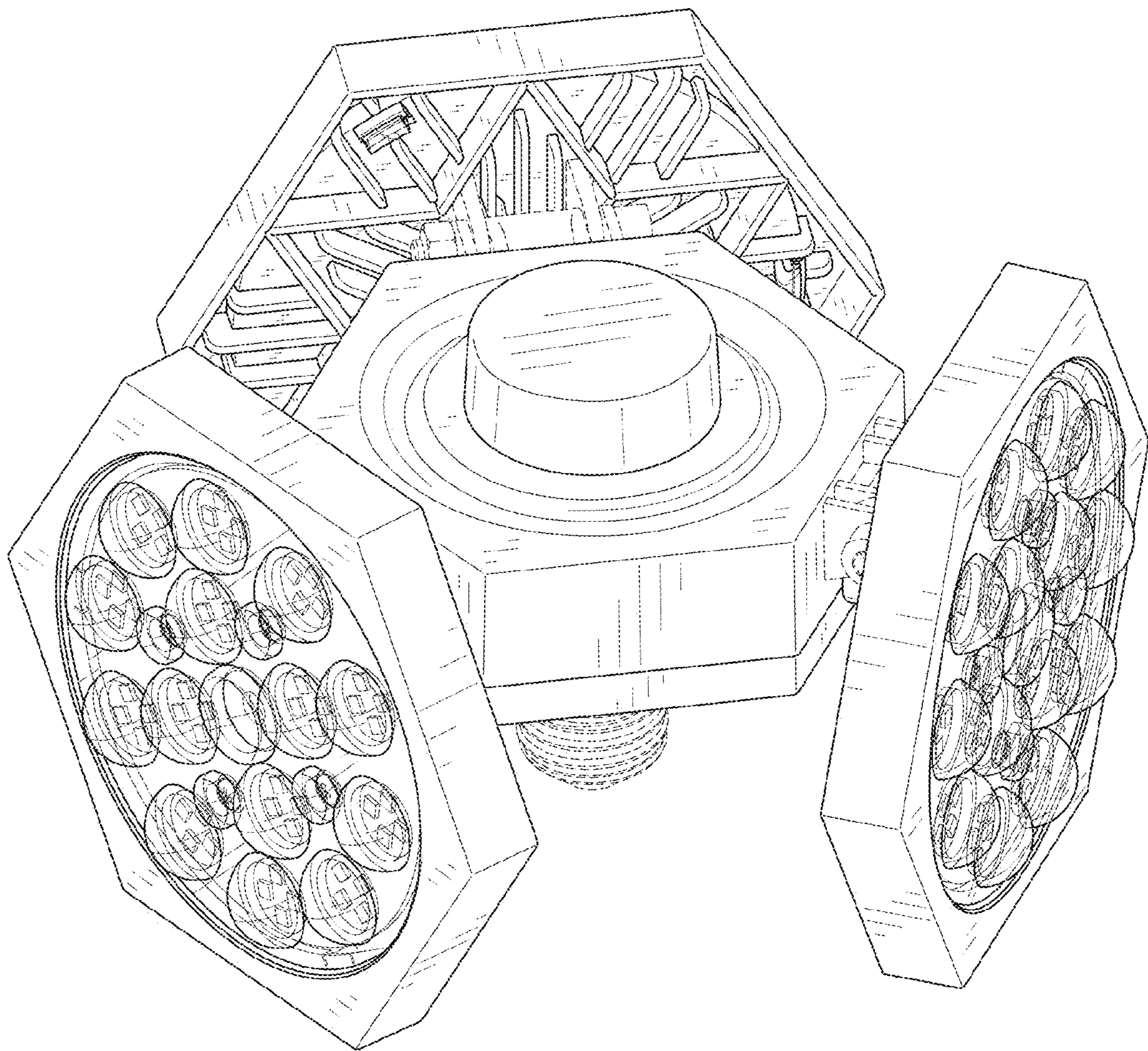


FIG. 10

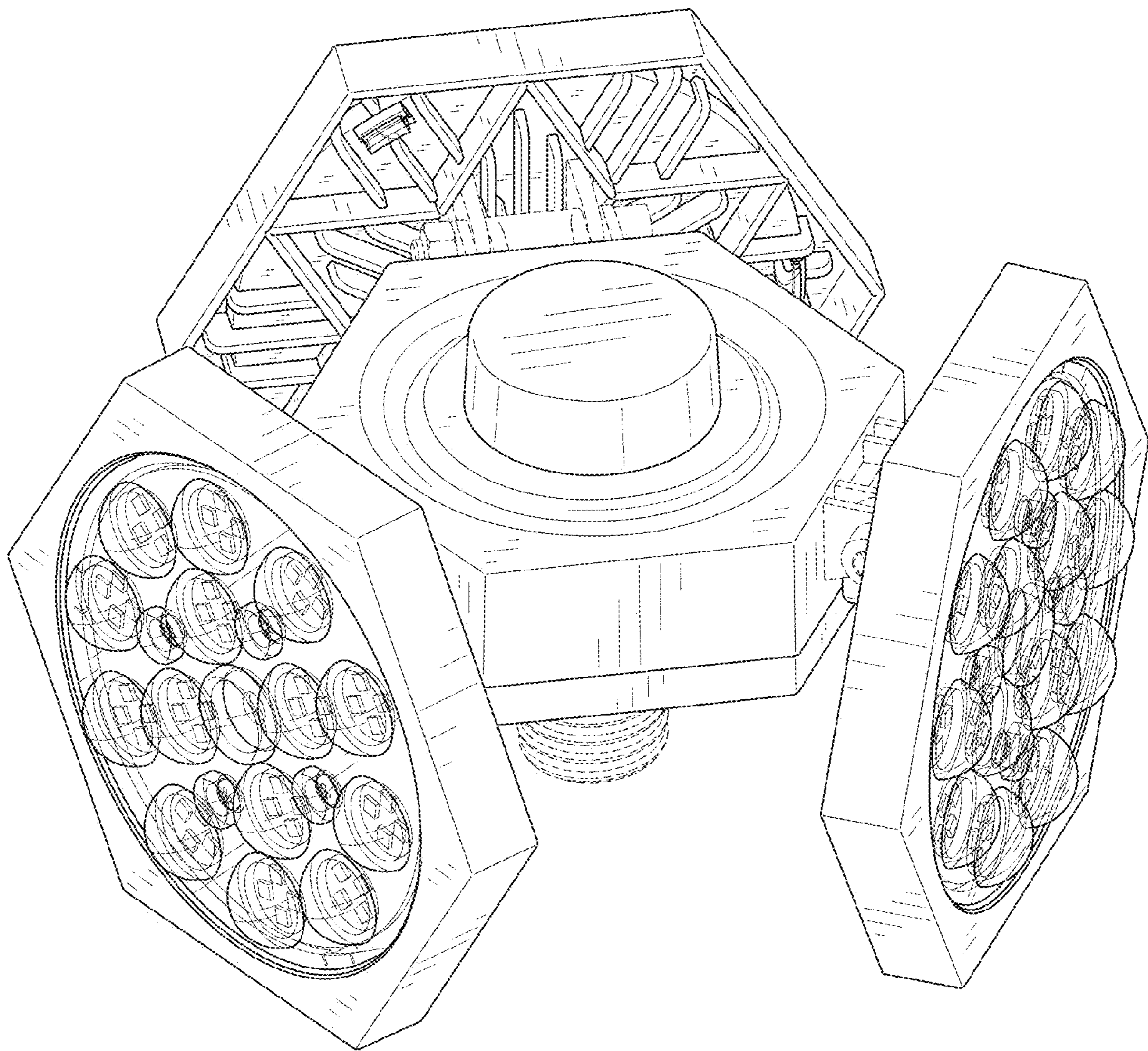


FIG. 11

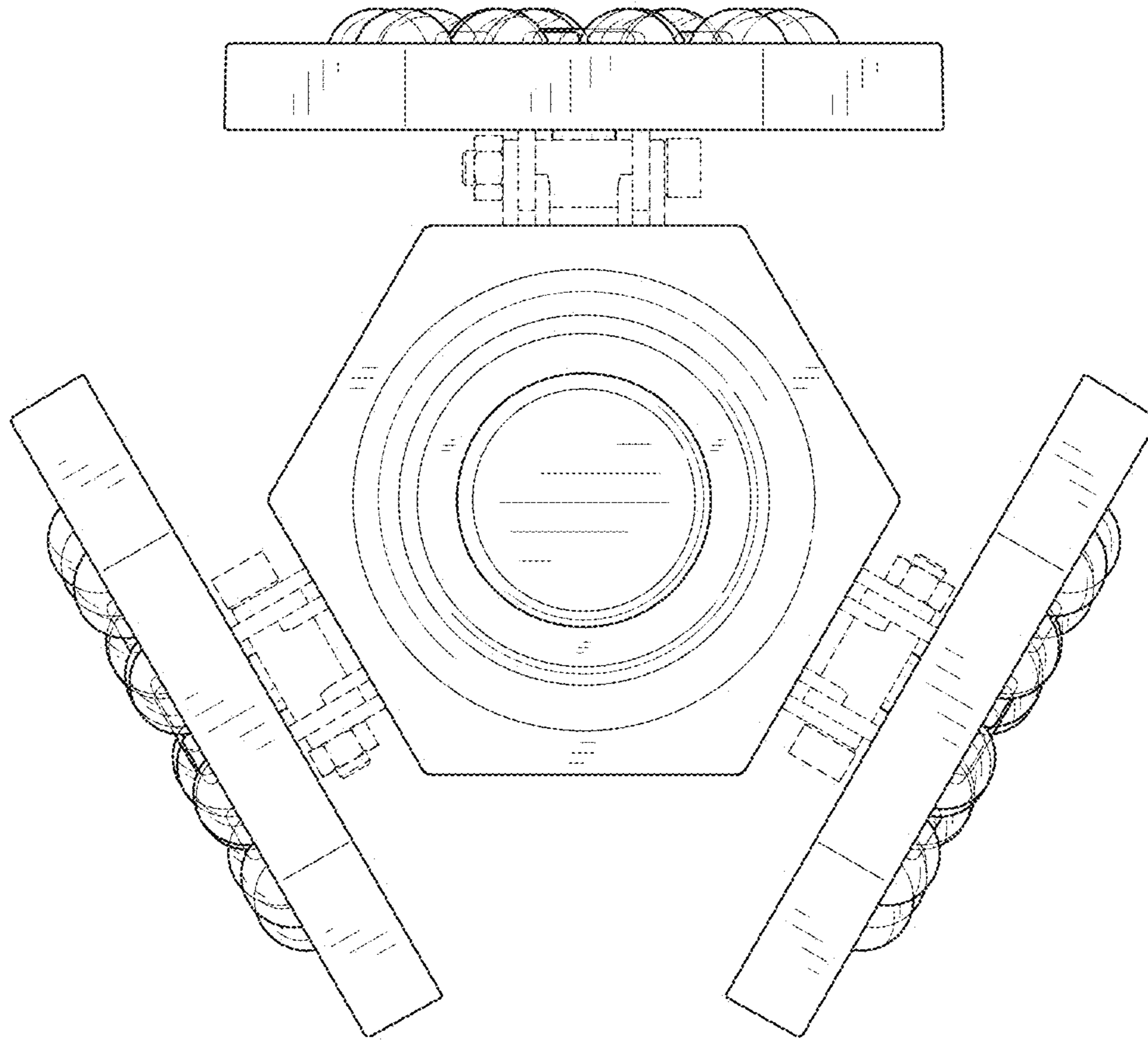


FIG. 12

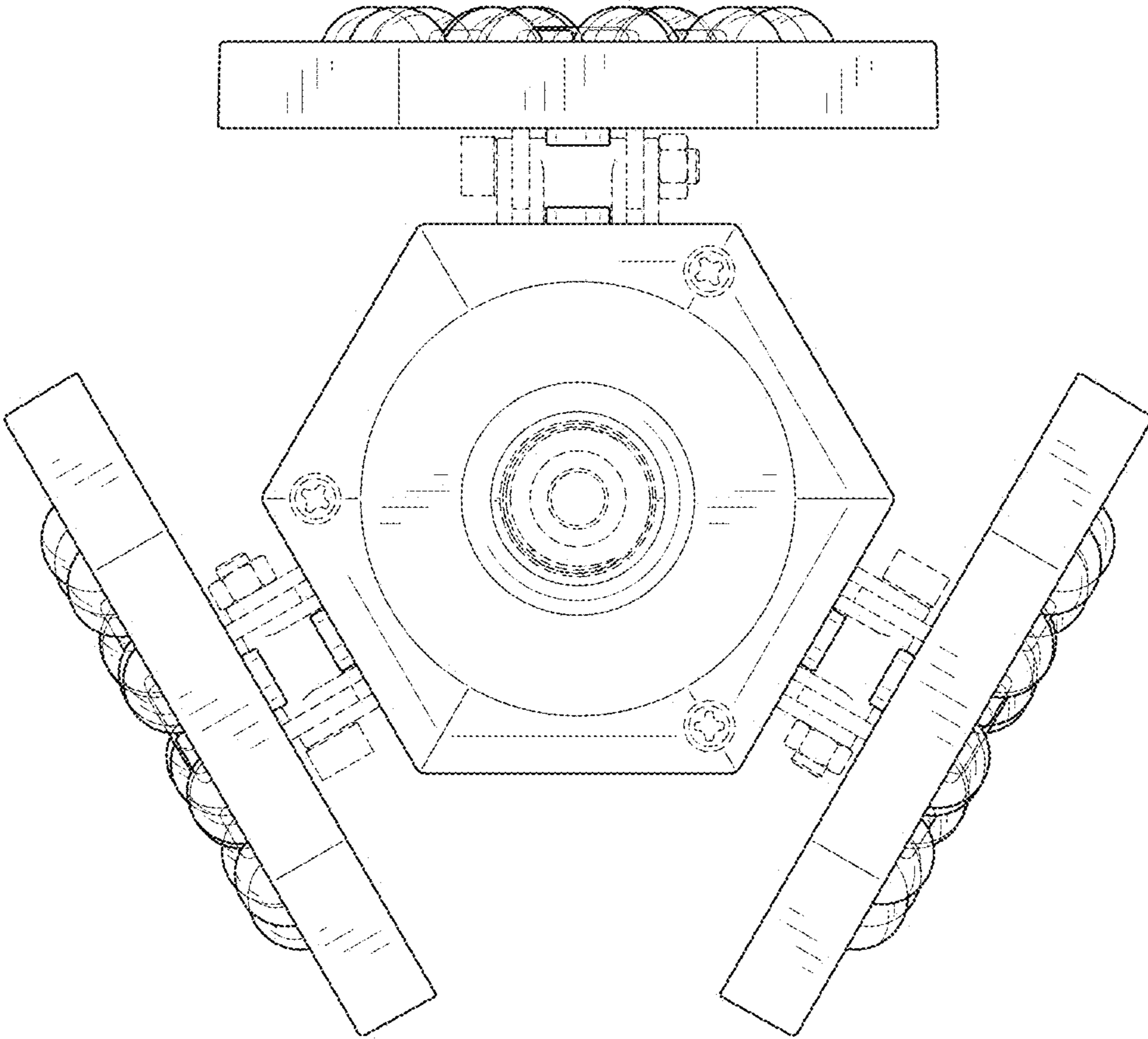


FIG. 13