



US00D919868S

(12) **United States Design Patent**
Pi et al.

(10) **Patent No.:** **US D919,868 S**

(45) **Date of Patent:** **** May 18, 2021**

(54) **STREET LAMP**

(71) Applicant: **ZOPOISE TECHNOLOGY (ZHUSHOU) CO., LTD.**, Zhuzhou (CN)

(72) Inventors: **Bruce Pi**, Zhuzhou (CN); **Wei Kang**, Zhuzhou (CN); **Ren Zhong**, Zhuzhou (CN)

(73) Assignee: **ZOPOISE TECHNOLOGY (ZHUSHOU) CO., LTD.**, Zhuzhou (CN)

(**) Term: **15 Years**

(21) Appl. No.: **29/661,927**

(22) Filed: **Aug. 31, 2018**

(30) **Foreign Application Priority Data**

Jun. 25, 2018 (CN) 201830329902.9

(51) **LOC (13) Cl.** **26-05**

(52) **U.S. Cl.**
USPC **D26/63**

(58) **Field of Classification Search**
USPC D26/1, 24, 63, 67, 72, 73, 83, 85, 91, D26/118, 119, 135
CPC F21V 21/00; F21V 21/14; F21V 21/30; F21V 14/00; F21V 14/02; F21V 13/04; F21V 7/00; F21V 7/0091; F21V 1/00; F21V 1/04; F21V 1/08; F21V 1/14; F21S 8/00; F21S 8/003; F21S 8/043
See application file for complete search history.

(56) **References Cited**

U.S. PATENT DOCUMENTS

D272,656 S * 2/1984 Parker D26/24
D711,030 S * 8/2014 Zhan D26/65

D770,074 S * 10/2016 Romano D26/63
D788,966 S * 6/2017 Gan D26/63
D800,353 S * 10/2017 Schmauder D26/1
D816,253 S * 4/2018 Ruberg D26/63
D821,014 S * 6/2018 Long D26/63
D833,662 S * 11/2018 Gordin D26/63
D855,245 S * 7/2019 Chami D26/118
D860,497 S * 9/2019 Zhu D26/71
10,527,265 B2 * 1/2020 Hobson F21V 15/013
D875,984 S * 2/2020 Xiao D26/63
D877,952 S * 3/2020 Gordin D26/63
2013/0088861 A1 * 4/2013 Wu F21L 4/02
362/184
2014/0218944 A1 * 8/2014 Hobson F21S 2/005
362/418
2017/0234520 A1 * 8/2017 Yu F21V 29/83
362/294
2019/0346121 A1 * 11/2019 Zhu F21S 8/00
2020/0355360 A1 * 11/2020 Clark F21V 5/007

* cited by examiner

Primary Examiner — Wan Laymon

Assistant Examiner — Clint A Samuel

(74) *Attorney, Agent, or Firm* — Maschoff Brennan

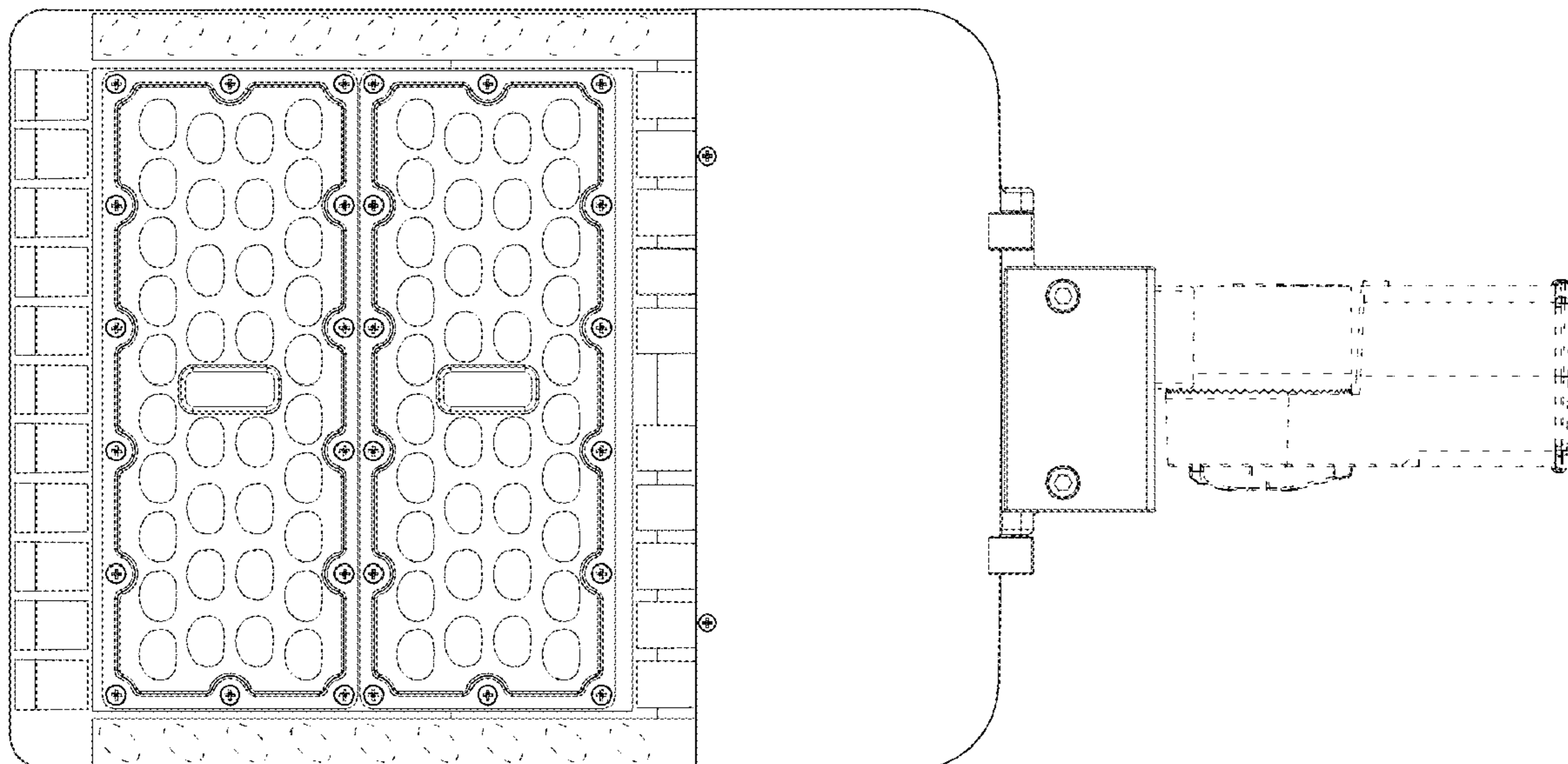
(57) **CLAIM**

The ornamental design for a street lamp, as shown and described.

DESCRIPTION

FIG. 1 is a front view of a street lamp showing the claimed design;
FIG. 2 is a rear view thereof;
FIG. 3 is a left view thereof;
FIG. 4 is a right view thereof;
FIG. 5 is a top view thereof;
FIG. 6 is a bottom view thereof; and,
FIG. 7 is a stereoscopic view thereof.
The broken lines in the drawings show portions of the street lamp that form no part of the claimed design.

1 Claim, 7 Drawing Sheets



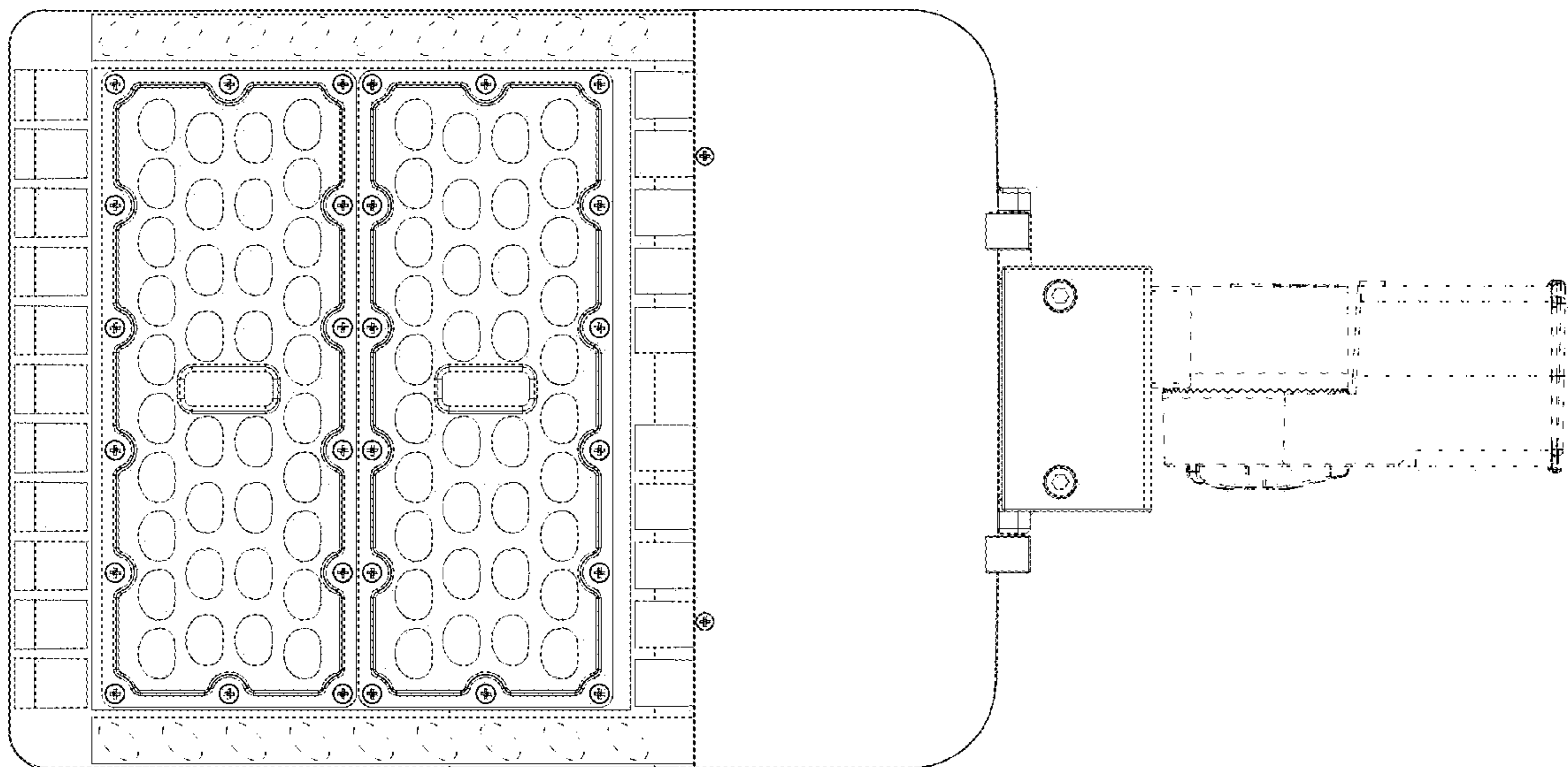


Fig.1

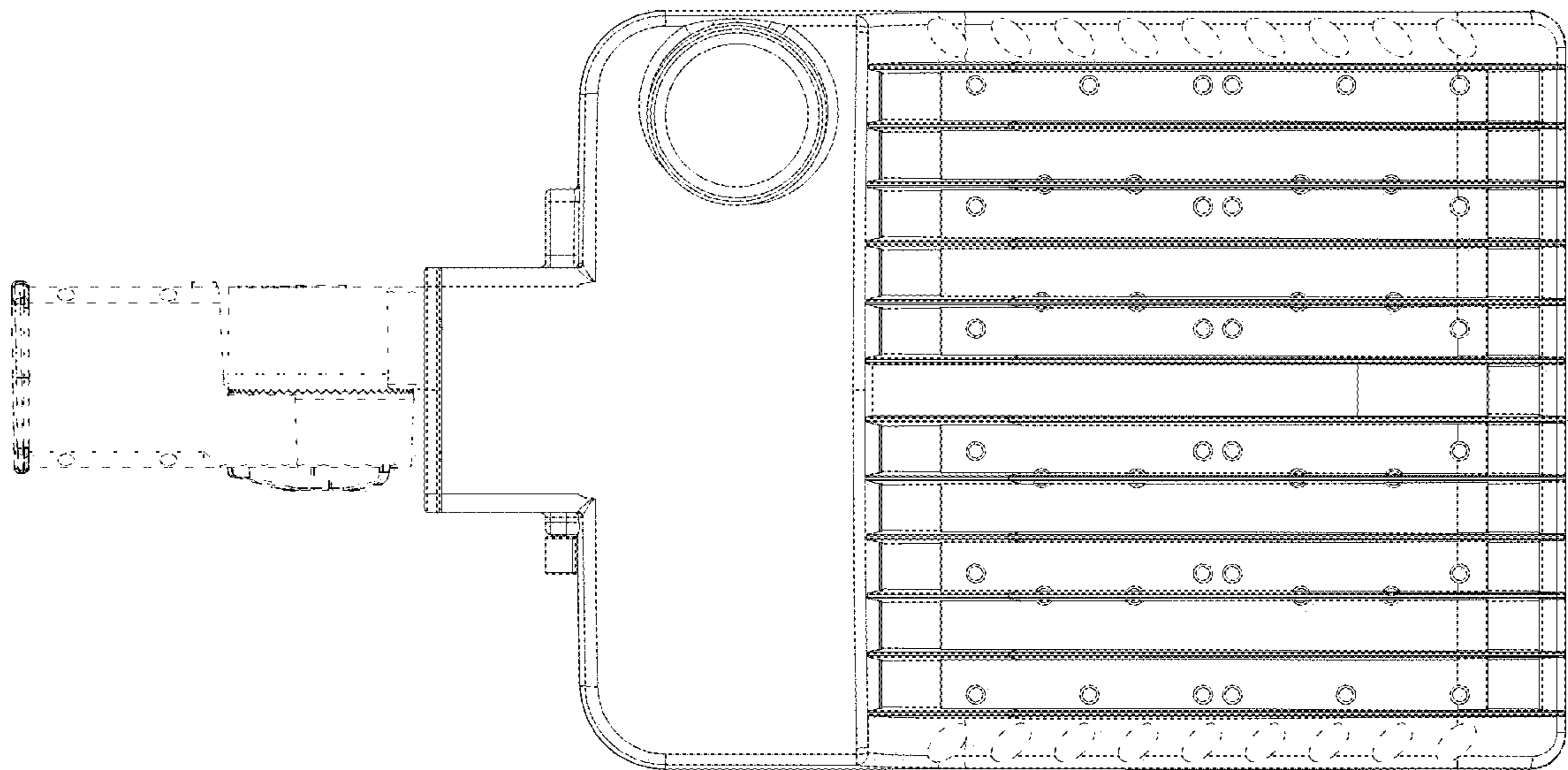


Fig.2

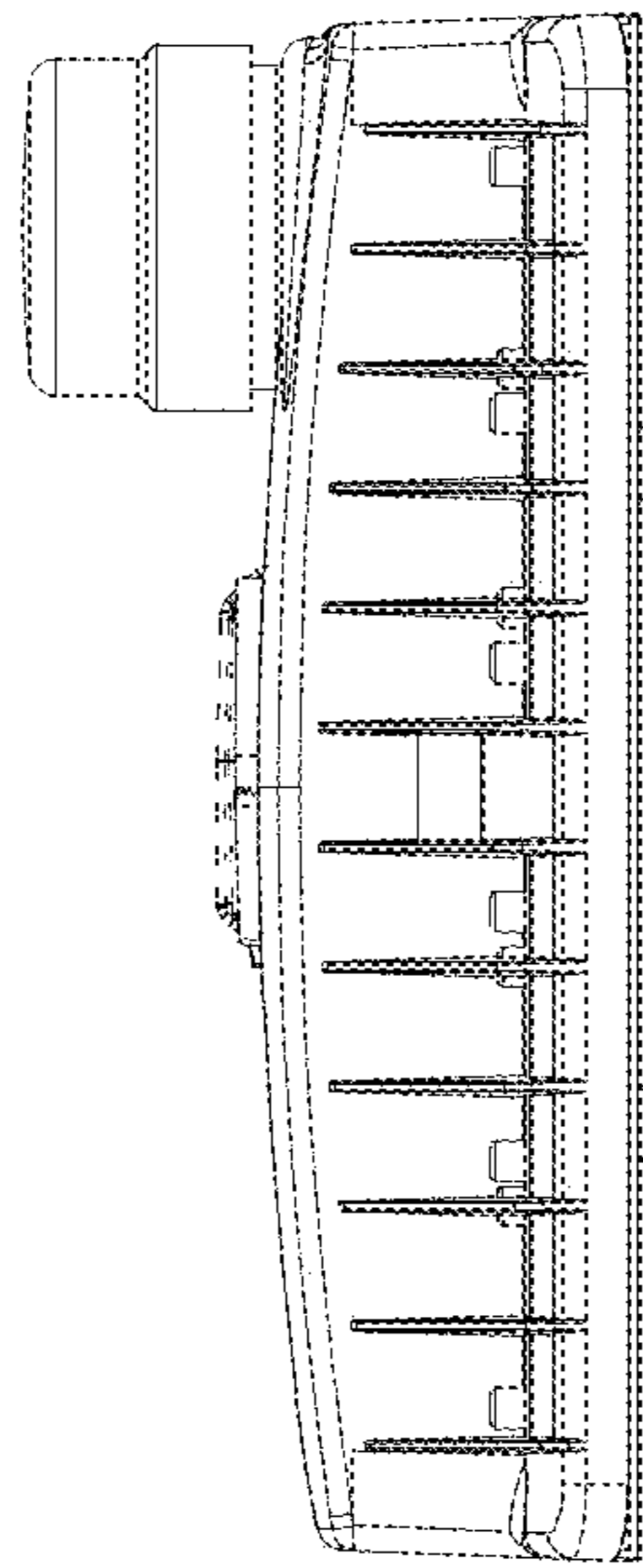


Fig.3

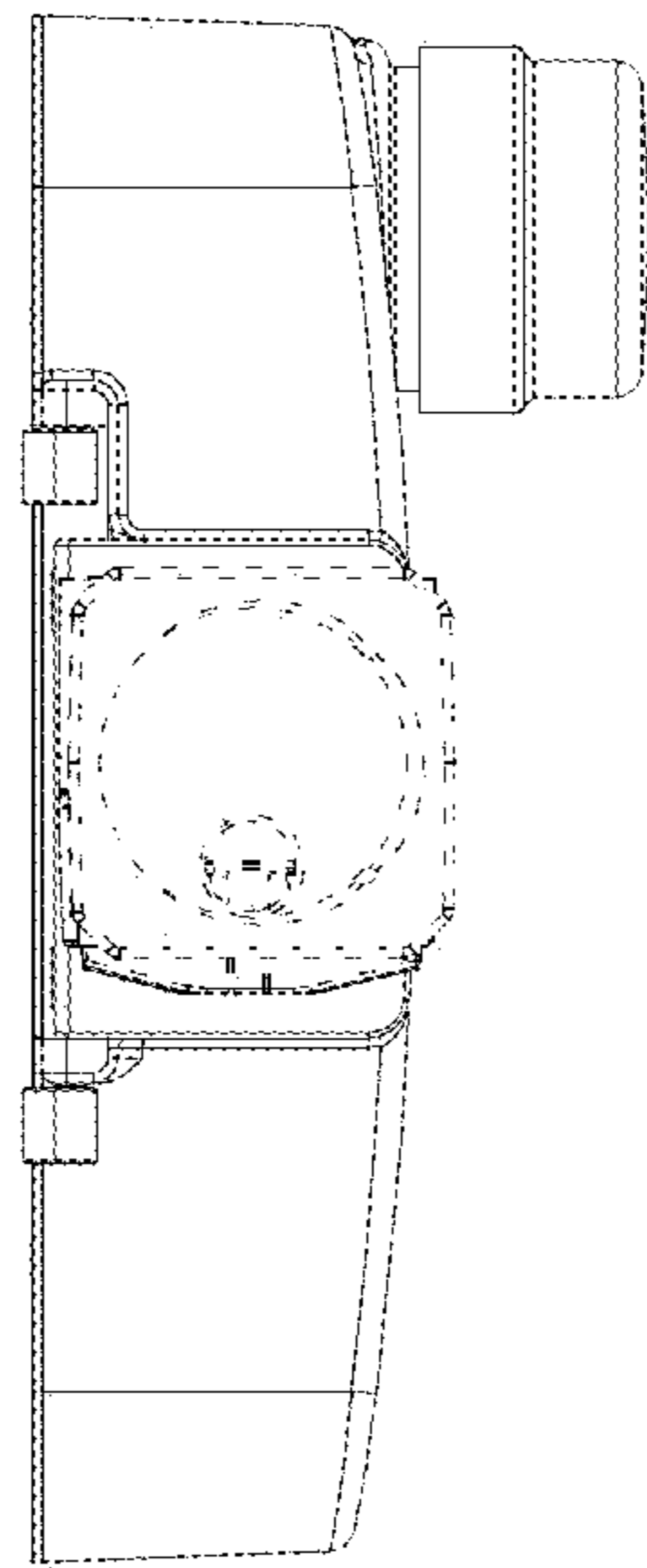


Fig.4

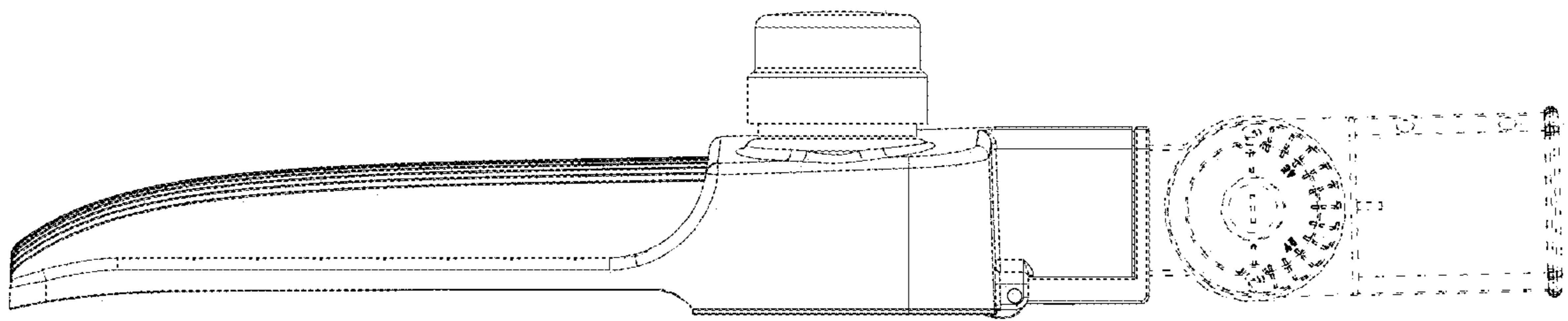


Fig.5

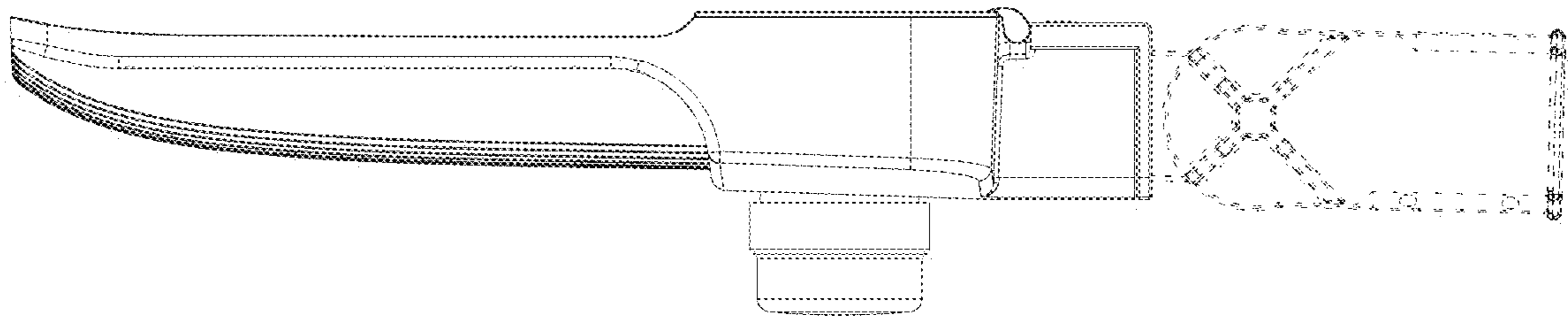


Fig.6

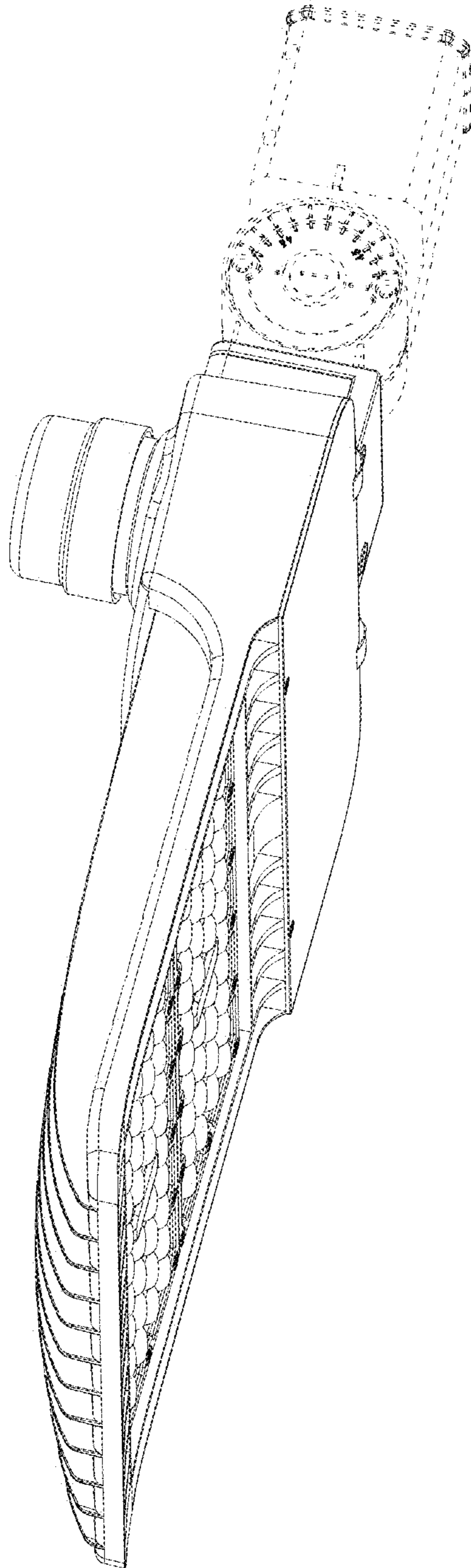


Fig. 7