



US00D919867S

(12) **United States Design Patent**
Hamasaki

(10) **Patent No.:** **US D919,867 S**

(45) **Date of Patent:** **** May 18, 2021**

(54) **BICYCLE LIGHT HOUSING**

(71) Applicant: **Noriaki Hamasaki**, Lake Forest, CA
(US)

(72) Inventor: **Noriaki Hamasaki**, Lake Forest, CA
(US)

(**) Term: **15 Years**

(21) Appl. No.: **29/687,810**

(22) Filed: **Apr. 16, 2019**

(51) **LOC (13) Cl.** **26-03**

(52) **U.S. Cl.**

USPC **D26/60; D26/28**

(58) **Field of Classification Search**

USPC D26/28, 60; D8/334

CPC B62J 6/001; B62J 6/02; B62J 6/003; F21S
4/00; F21S 48/00; F21S 48/20; F21V
21/00; F21V 21/08; F21V 21/088; F21W
2101/023

See application file for complete search history.

(56) **References Cited**

U.S. PATENT DOCUMENTS

D498,550 S *	11/2004	Chen	D26/28
D514,239 S *	1/2006	Okuda	D26/28
D535,766 S *	1/2007	Lee	D26/28
D560,834 S *	1/2008	Nagano	D26/28
D609,378 S *	2/2010	Lee	D26/60
D667,581 S *	9/2012	Lee	D26/60
D678,562 S *	3/2013	Chan	D26/28

D679,038 S *	3/2013	Hamasaki	D26/28
D751,739 S *	3/2016	Hamasaki	D26/28
D846,167 S *	4/2019	Tang	D26/28
D850,673 S *	6/2019	Hamasaki	D26/28
D881,424 S *	4/2020	Gu	D26/28
D891,665 S *	7/2020	Nagano	D26/60

* cited by examiner

Primary Examiner — Brian N. Vinson

(57) **CLAIM**

I claim an ornamental design for a bicycle light housing, as shown and described.

DESCRIPTION

FIG. 1 is an upper front perspective view of the bicycle light housing;

FIG. 2 is a front elevational view of the bicycle light housing;

FIG. 3 is a rear elevational view of the bicycle light housing;

FIG. 4 is a right side elevational view of the bicycle light housing;

FIG. 5 is a left side elevational view of the bicycle light housing;

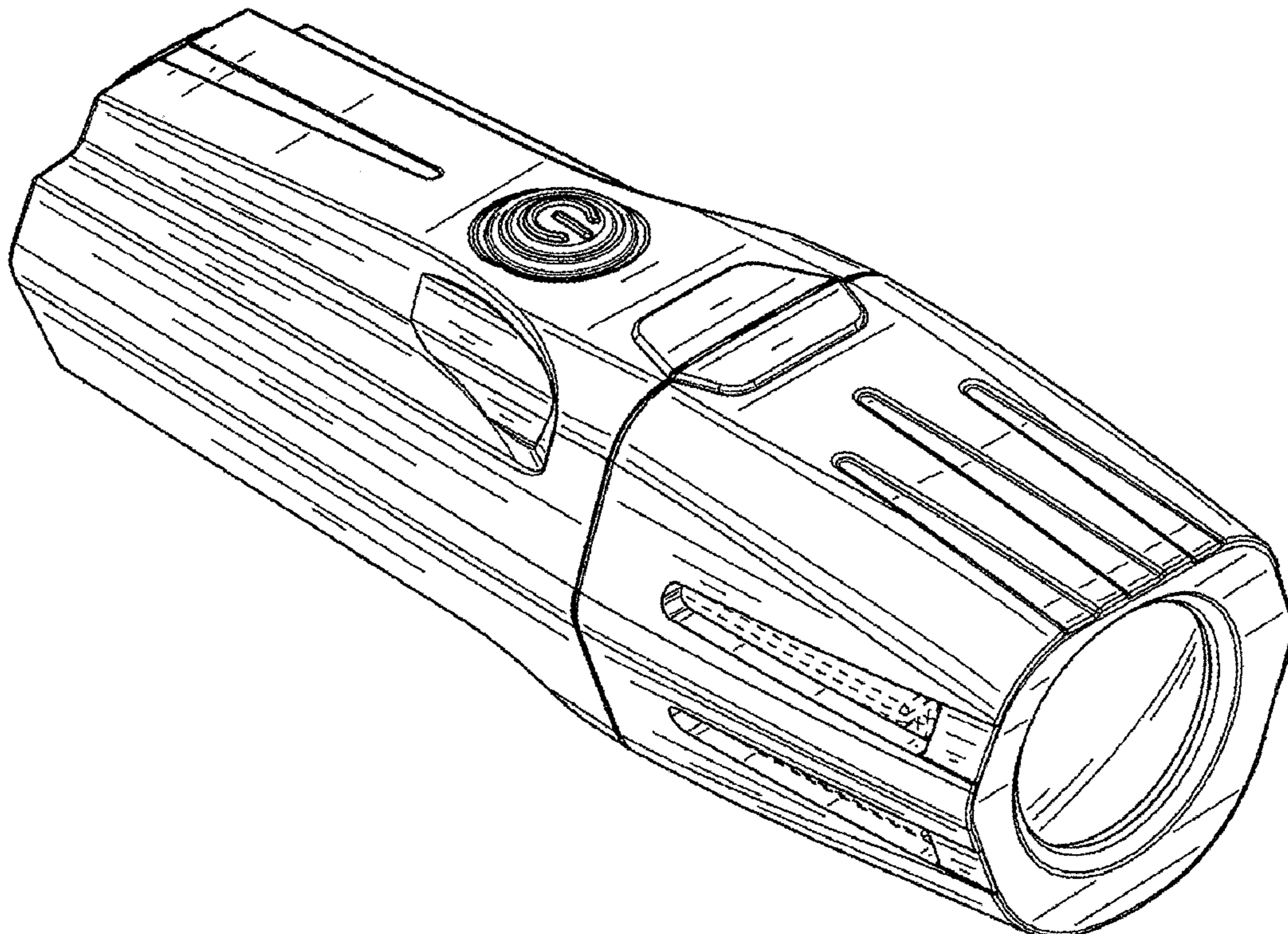
FIG. 6 is a top plan view of the bicycle light housing;

FIG. 7 is a bottom plan view of the bicycle light housing; and,

FIG. 8 is a right side bottom perspective view of the bicycle light housing.

The broken-line disclosures, as shown through the openings in the housing, in FIG. 1 and FIGS. 2 through 8, are understood to represent portions of the article in which the claimed design may be embodied, but which form no part of the claimed design.

1 Claim, 6 Drawing Sheets



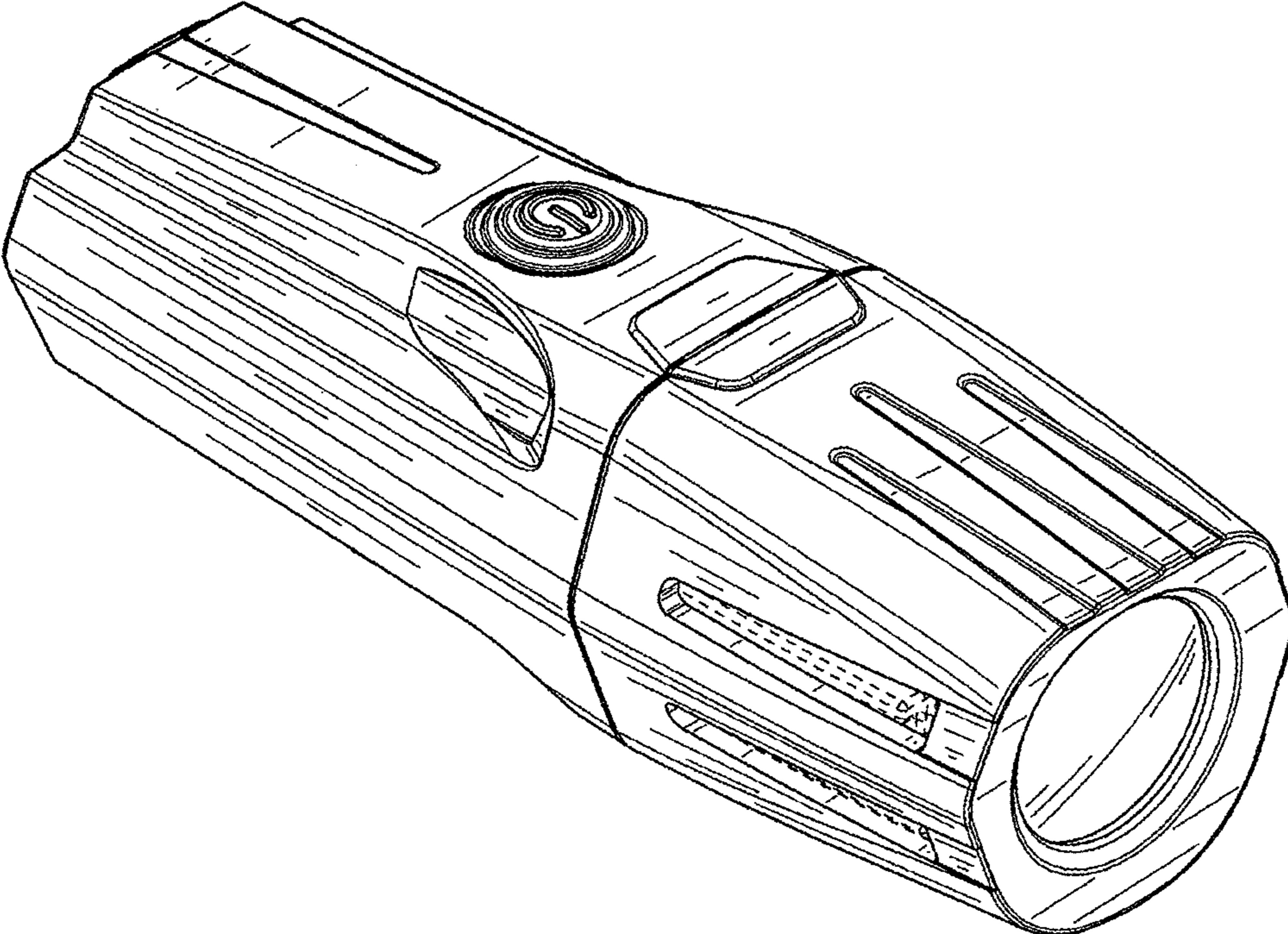


FIG. 1

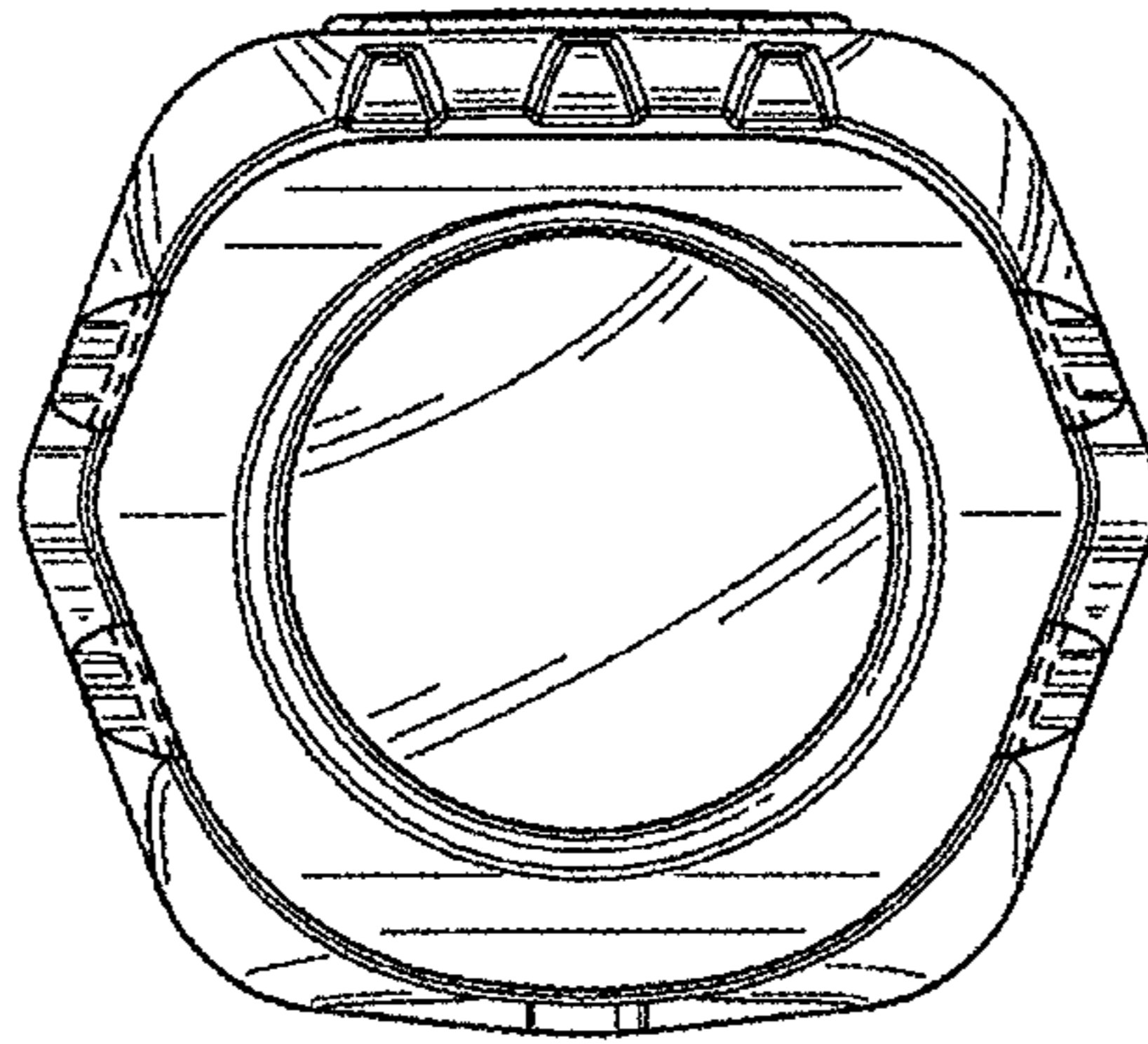


FIG. 2

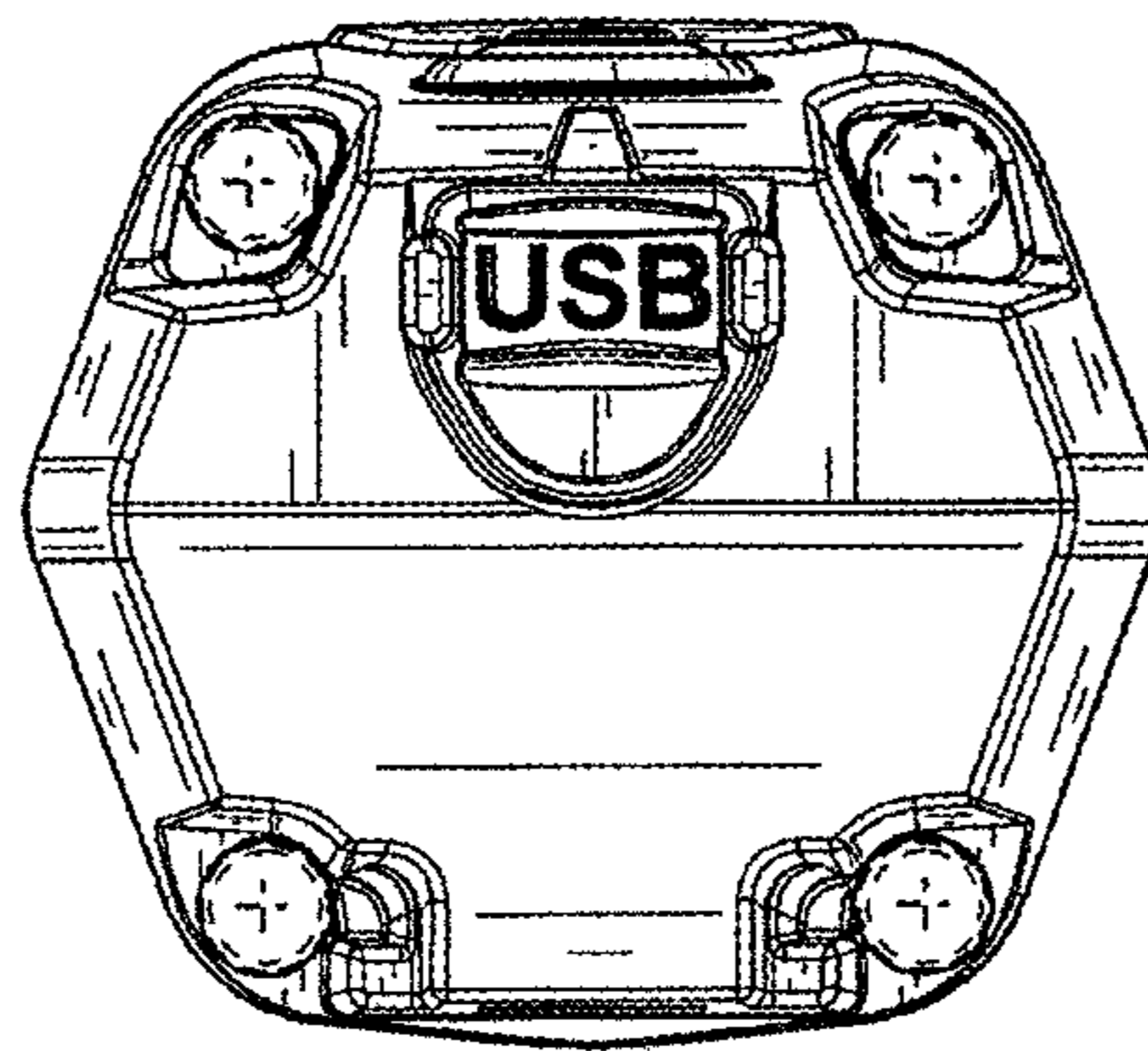


FIG. 3

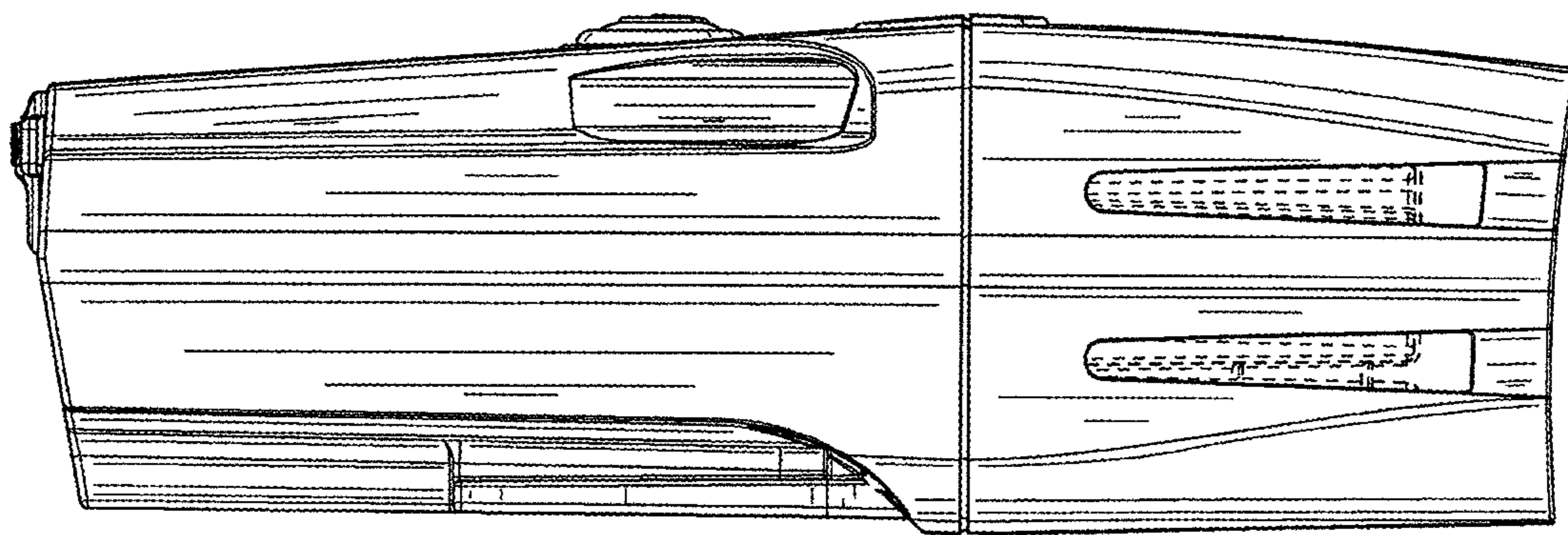


FIG. 4

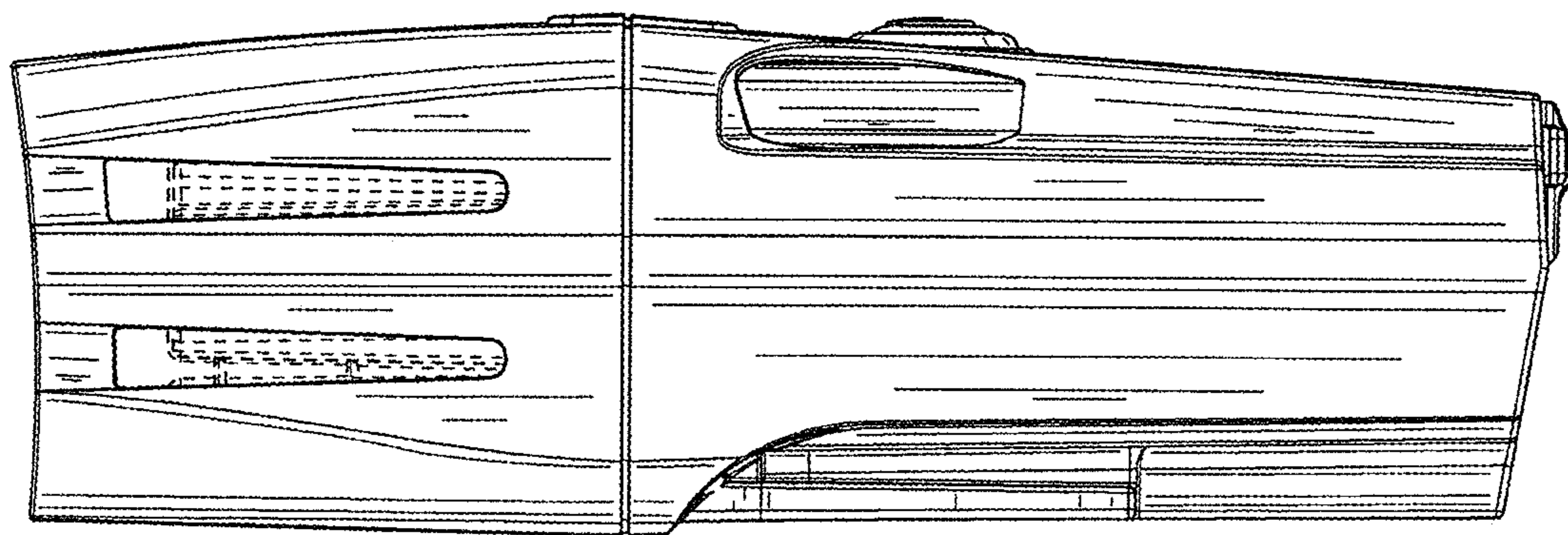


FIG. 5

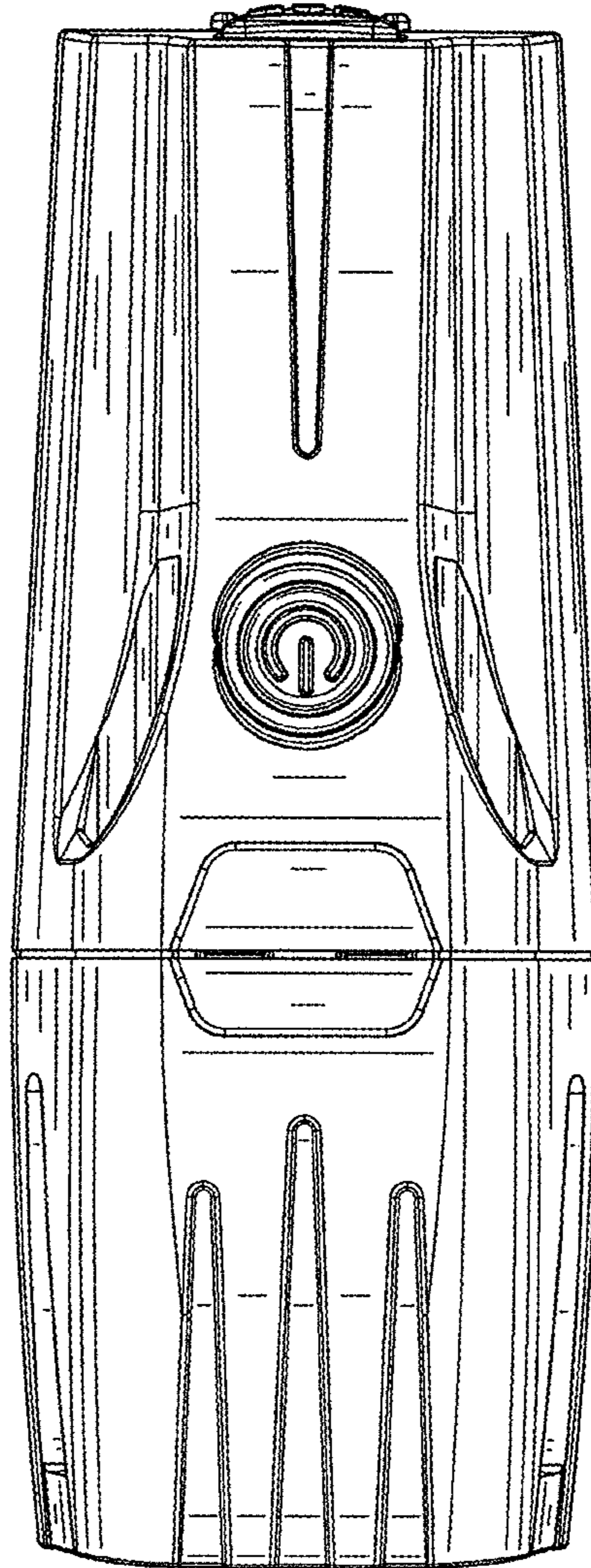


FIG. 6

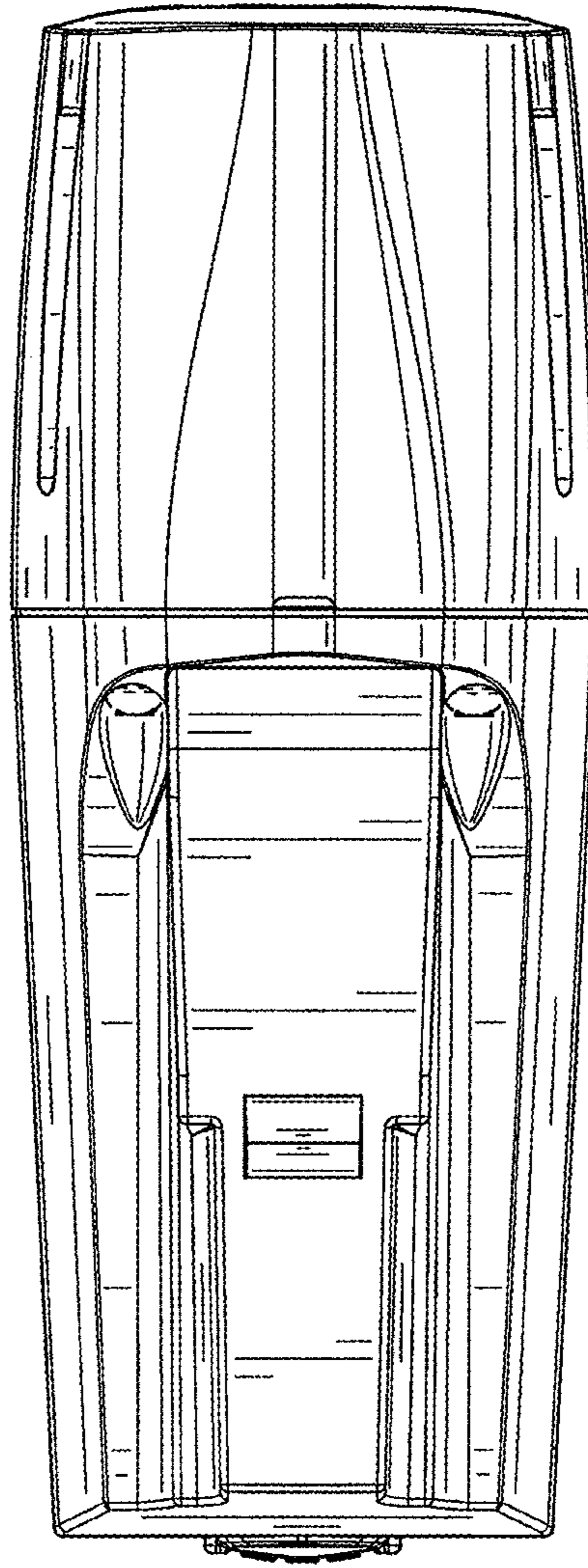


FIG. 7

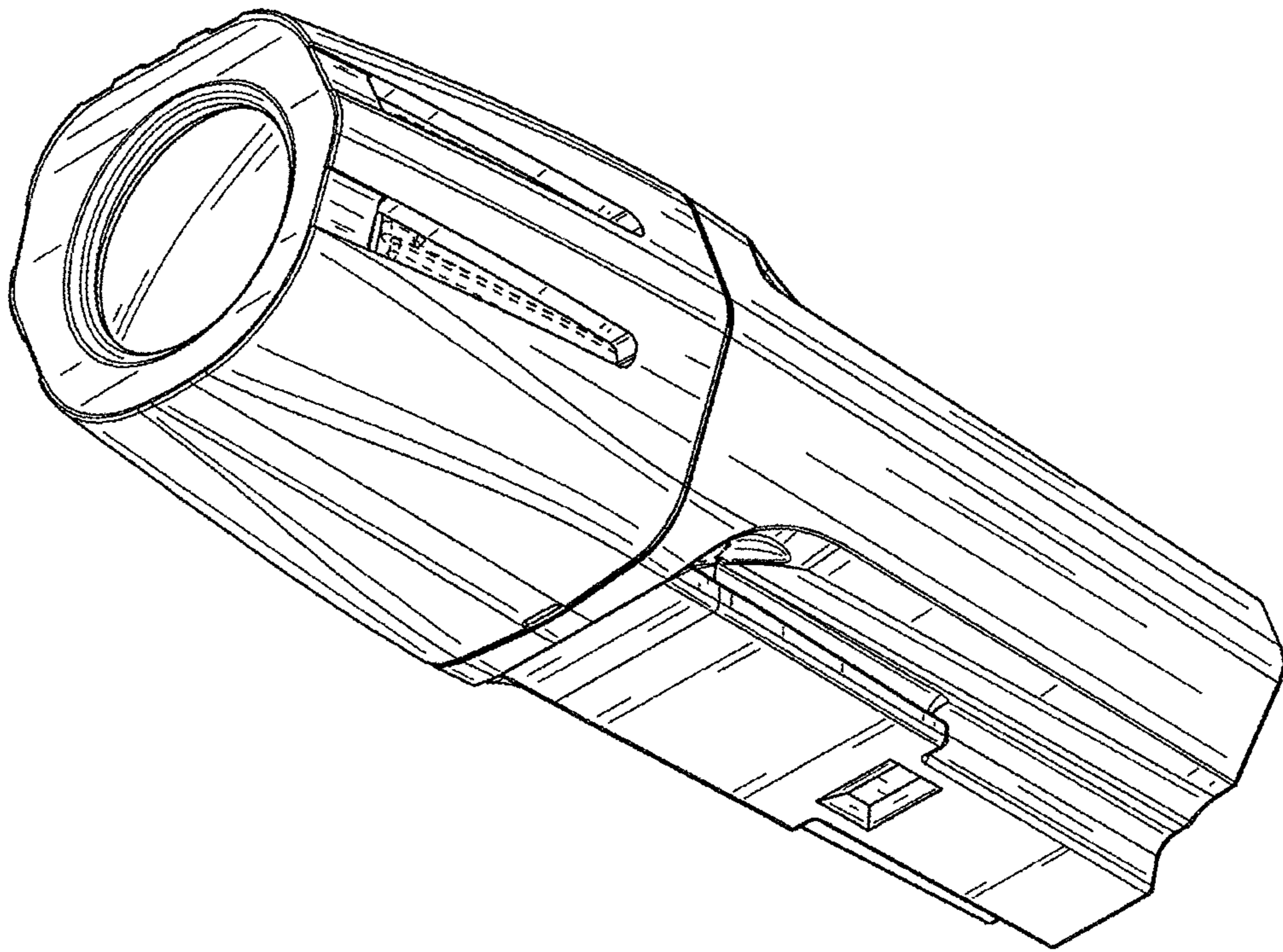


FIG. 8