

US00D919865S

(12) **United States Design Patent** (10) **Patent No.:** **US D919,865 S**  
**Le** (45) **Date of Patent:** **\*\* May 18, 2021**

(54) **COLLAPSIBLE LANTERN**  
(71) Applicant: **MacroIdea Inc.**, Irvine, CA (US)  
(72) Inventor: **Tien Cong Le**, Irvine, CA (US)  
(73) Assignee: **MacroIdea Inc.**, Irvine, CA (US)  
(\*\*) Term: **15 Years**

D424,227 S 5/2000 Long  
D429,832 S 8/2000 Poon  
D433,762 S 11/2000 Yuen  
D434,163 S 11/2000 Lee  
D443,088 S 5/2001 Skidmore et al.  
D451,221 S 11/2001 Poon  
D462,469 S 9/2002 Poon  
D468,039 S 12/2002 Poon  
D470,618 S 2/2003 Kuelbs  
D474,553 S 5/2003 Poon

(Continued)

(21) Appl. No.: **29/753,248**

FOREIGN PATENT DOCUMENTS

(22) Filed: **Sep. 30, 2020**

KR 20110123641 1/2012

(51) **LOC (13) Cl.** ..... **26-02**

*Primary Examiner* — Marcus A Jackson

(52) **U.S. Cl.**  
USPC ..... **D26/40**

(74) *Attorney, Agent, or Firm* — Sarah M. Walkington

(58) **Field of Classification Search**  
USPC ..... D26/37-51  
CPC ..... F21L 2/00; F21L 4/00; F21L 4/02; F21L 4/04; F21L 4/08; F21L 4/005; F21L 7/00; F21L 11/00; F21L 13/00; F21L 13/02; F21L 13/04; F21L 13/08; F21L 17/00; F21L 19/00; F21L 25/00  
See application file for complete search history.

(57) **CLAIM**

The ornamental design for a collapsible lantern, as shown and described.

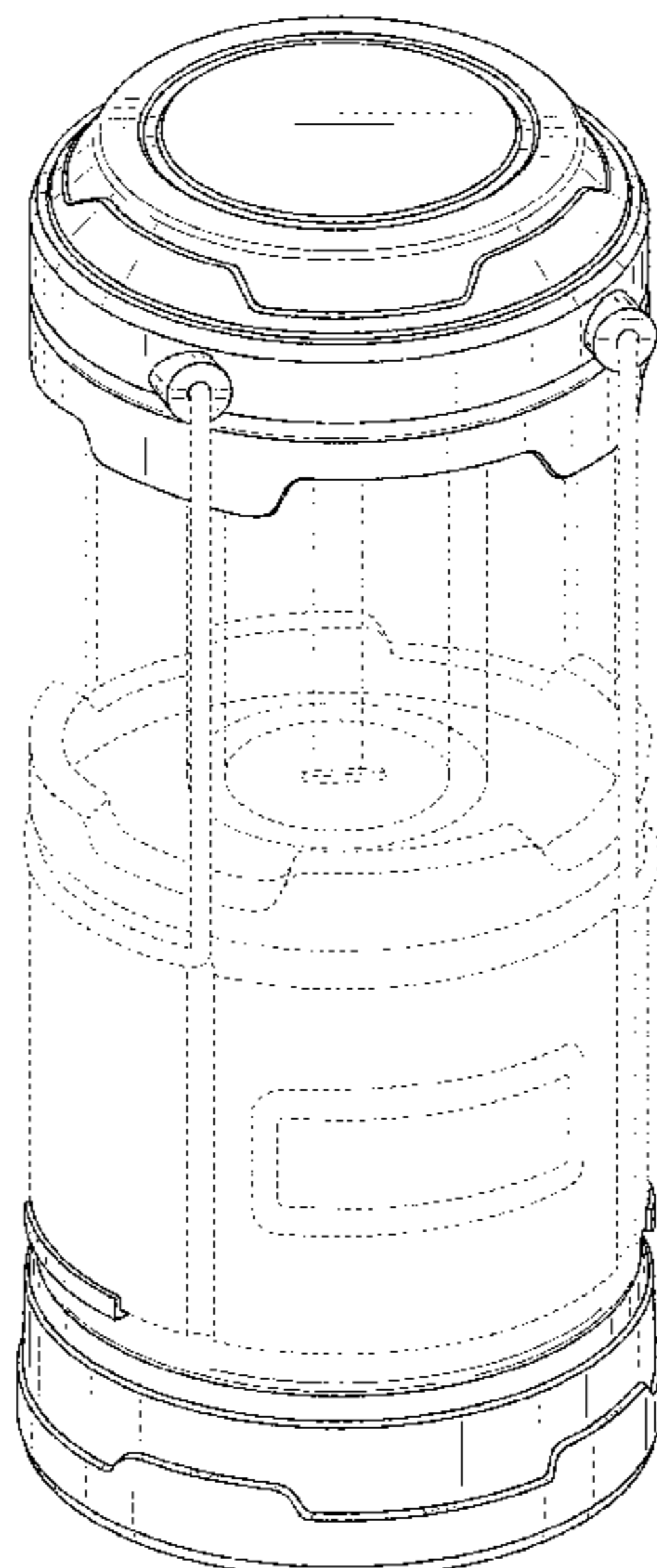
**DESCRIPTION**

FIG. 1 is a perspective view of a collapsible lantern showing my new design;  
FIG. 2 is a front elevational view of the collapsible lantern of FIG. 1, the rear elevation view being a mirror image thereof;  
FIG. 3 is a left side elevational view of the collapsible lantern of FIG. 1, the right side elevation view being a mirror image thereof;  
FIG. 4 is a top plan view of the collapsible lantern of FIG. 1;  
FIG. 5 is a bottom plan view of the collapsible lantern of FIG. 1; and,  
FIG. 6 is a perspective view of the collapsible lantern of FIG. 1, shown in a collapsed configuration thereof.  
The broken lines shown in the drawings depict portions of the collapsible lantern that form no part of the claimed design.

(56) **References Cited**  
U.S. PATENT DOCUMENTS

D267,899 S 2/1983 Kolm et al.  
D287,642 S 1/1987 Chi-hung  
D288,722 S 3/1987 Harada  
D293,482 S 12/1987 Geissler  
D317,057 S 5/1991 Argandona  
D321,568 S 11/1991 Yuen  
D344,348 S 2/1994 Lo  
D354,150 S 1/1995 Porter  
D365,164 S 12/1995 Yuen  
D368,785 S 4/1996 Nakao  
5,530,633 A 6/1996 Yuen  
D374,098 S 9/1996 Lo  
D393,323 S 4/1998 Howard et al.  
D416,343 S 11/1999 Dalton  
D421,660 S 3/2000 Shing

**1 Claim, 6 Drawing Sheets**



(56)

References Cited

U.S. PATENT DOCUMENTS

D482,156 S	11/2003	Kuelbs	
D483,892 S *	12/2003	Poon .....	D26/40
D485,928 S	1/2004	Leung et al.	
D486,598 S	2/2004	Lo	
D486,932 S	2/2004	Dario et al.	
D486,934 S	2/2004	Leung et al.	
6,685,335 B1	2/2004	Yeh et al.	
D489,469 S	5/2004	Liou	
D509,921 S	9/2005	Lam	
D524,968 S	7/2006	Poon	
D535,771 S	1/2007	Shiu	
D537,968 S	3/2007	Shiu	
D542,953 S	5/2007	Lee	
D547,891 S	7/2007	Shiu	
D548,381 S	8/2007	Tremeer	
D548,864 S	8/2007	Lee	
D553,272 S	10/2007	Leung	
D553,774 S	10/2007	Leung et al.	
D554,281 S	10/2007	Bushee et al.	
D556,928 S	12/2007	Poon	
D559,418 S	1/2008	Poon	
D564,112 S	3/2008	Jen	
D566,314 S	4/2008	Jen	
D569,538 S	5/2008	Leung	
D571,493 S	6/2008	Li	
D575,429 S	8/2008	Shiu	
D576,756 S	9/2008	DeBrunner	
D581,568 S	11/2008	Bertken	
D583,492 S	12/2008	Jen	
D585,577 S	1/2009	Bonis	
D599,923 S	9/2009	Shiu	
D600,382 S	9/2009	Chen	
D601,286 S	9/2009	Chen	
D601,735 S	10/2009	Chen	
D601,736 S	10/2009	Swan	
D604,436 S	11/2009	Poon	
D604,877 S	11/2009	Kung	
D606,222 S	12/2009	Gebhard	
D608,920 S	1/2010	Loibl	
D610,283 S	2/2010	Loibl	
D611,630 S *	3/2010	Chan .....	D26/40
D617,480 S	6/2010	DeBrunner	
D621,538 S	8/2010	Bushee	
D646,008 S	9/2011	Couture	
D646,412 S	10/2011	Taiga	
D650,104 S	12/2011	Brands et al.	
D650,105 S	12/2011	Crawford et al.	
D656,260 S	3/2012	Kung	
D658,324 S	4/2012	Reimann et al.	
D671,249 S	11/2012	Sheikh et al.	
D673,315 S	12/2012	Milz et al.	
D674,945 S *	1/2013	Bertken .....	D26/40
D675,763 S	2/2013	Levine	
D693,499 S	11/2013	Bennett et al.	
D694,445 S	11/2013	Shiu	
D707,378 S	6/2014	Shiu	
D722,716 S	2/2015	Pamani	
D725,300 S *	3/2015	Dalton .....	D26/40
D726,358 S *	4/2015	Young .....	D26/49
D747,022 S *	1/2016	Leung .....	D26/40
D747,523 S *	1/2016	Salmon .....	D26/40
D747,553 S	1/2016	Osweiler	
D754,379 S *	4/2016	Green .....	D26/40
D790,098 S *	6/2017	Esarey .....	D26/40
D794,235 S *	8/2017	Green .....	D26/40
D846,168 S	4/2019	Badici	

\* cited by examiner

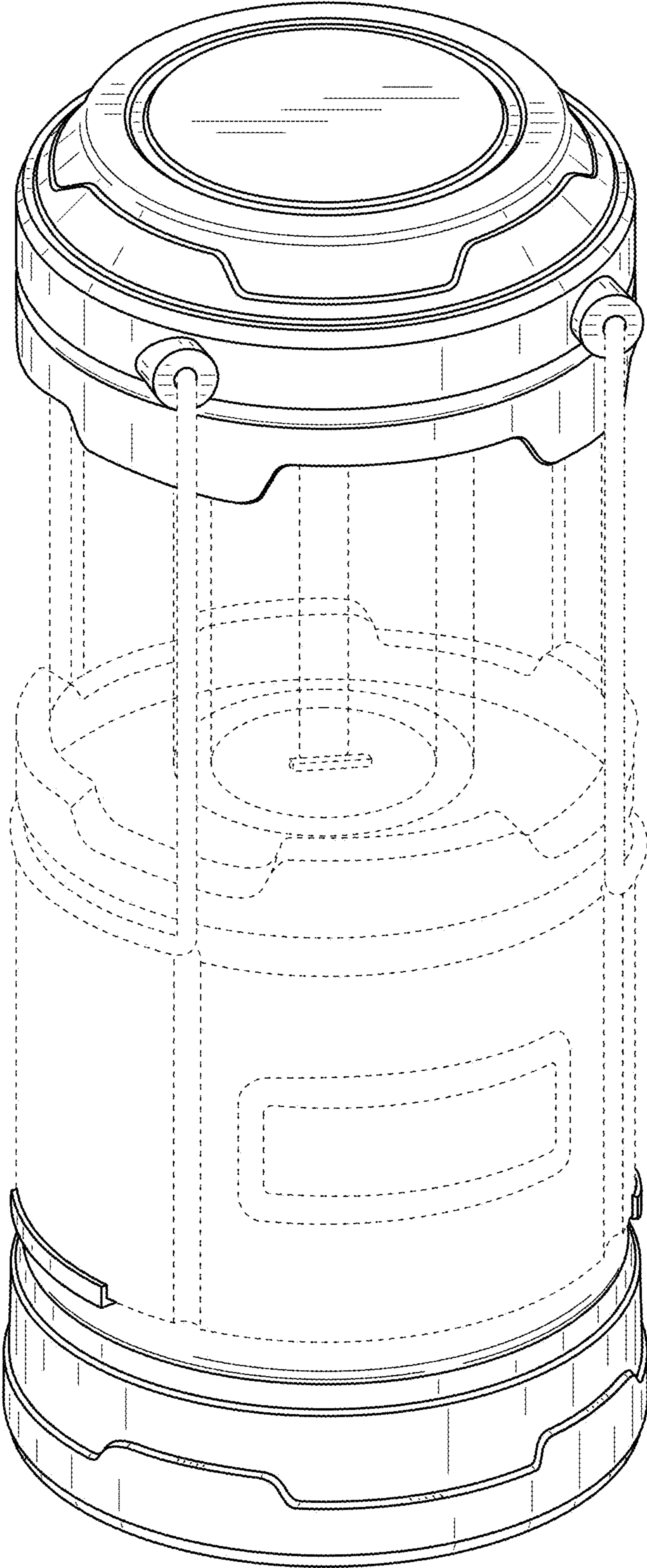


FIG. 1



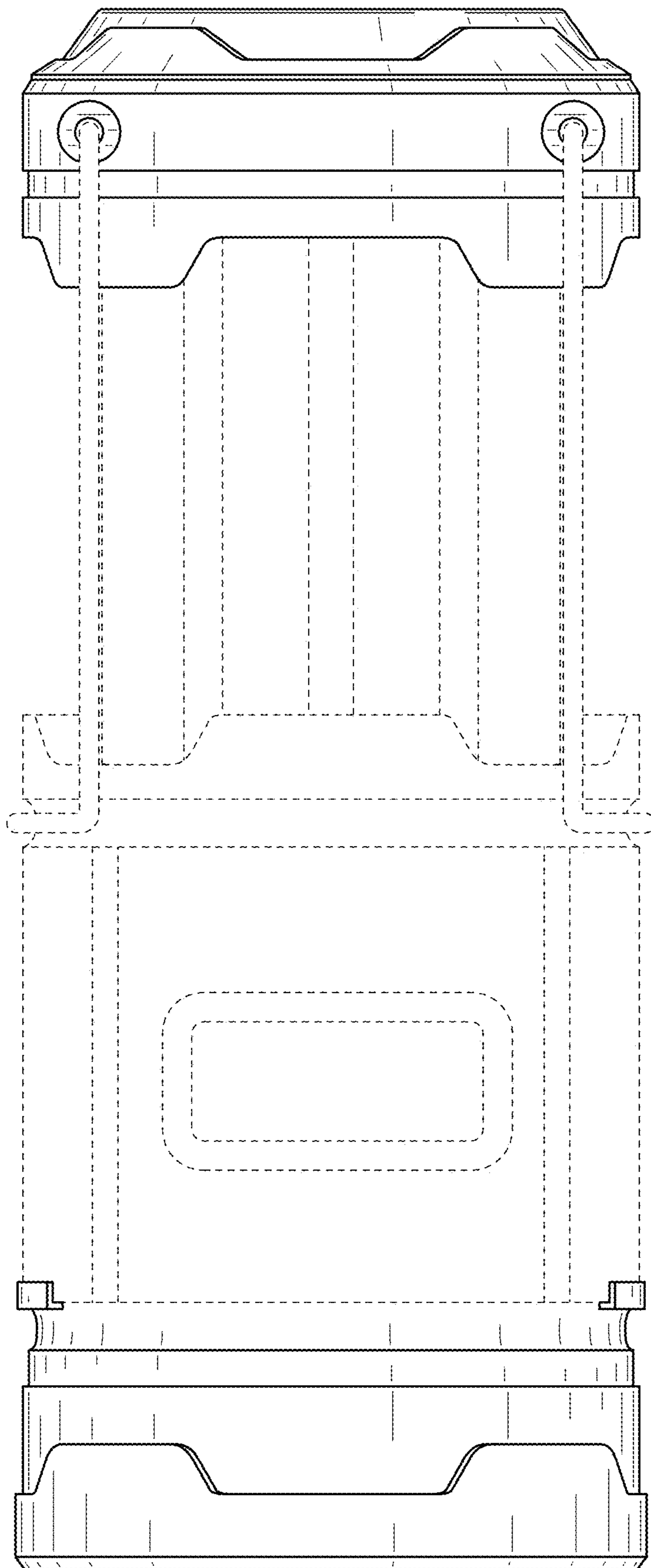


FIG. 2

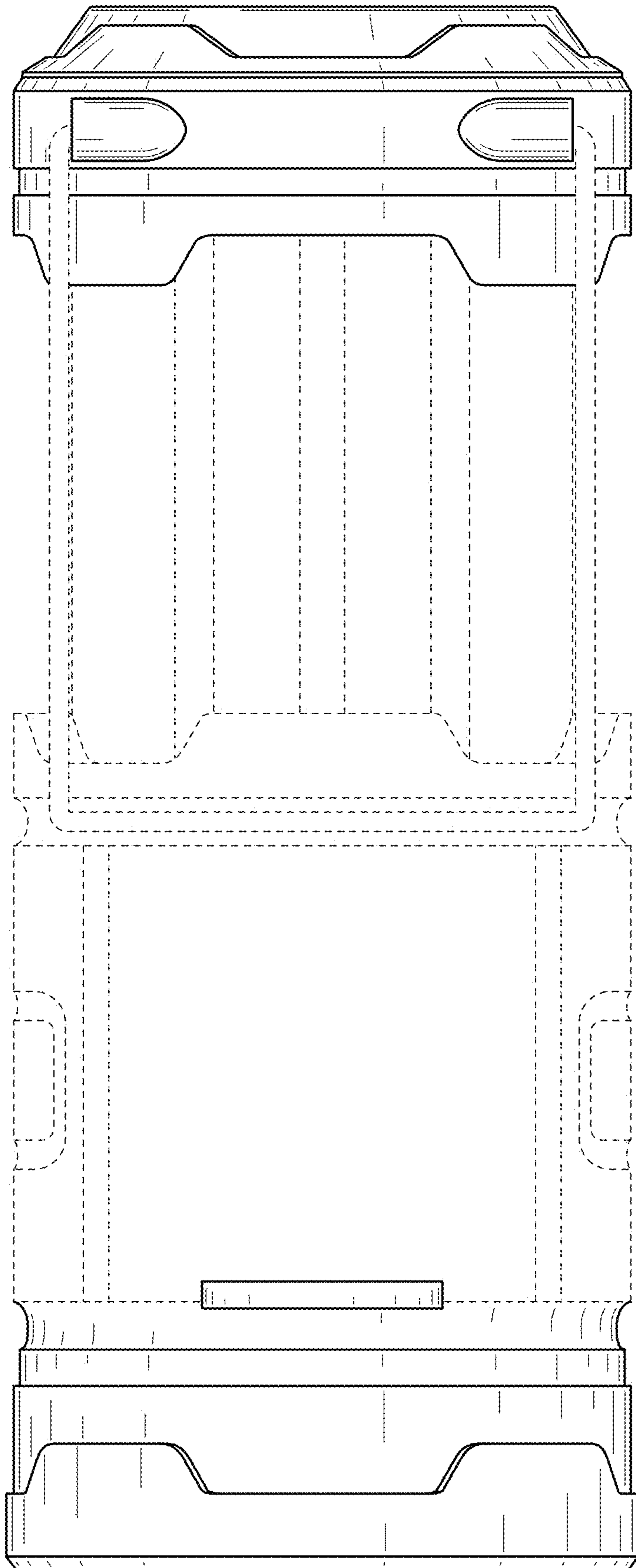


FIG. 3

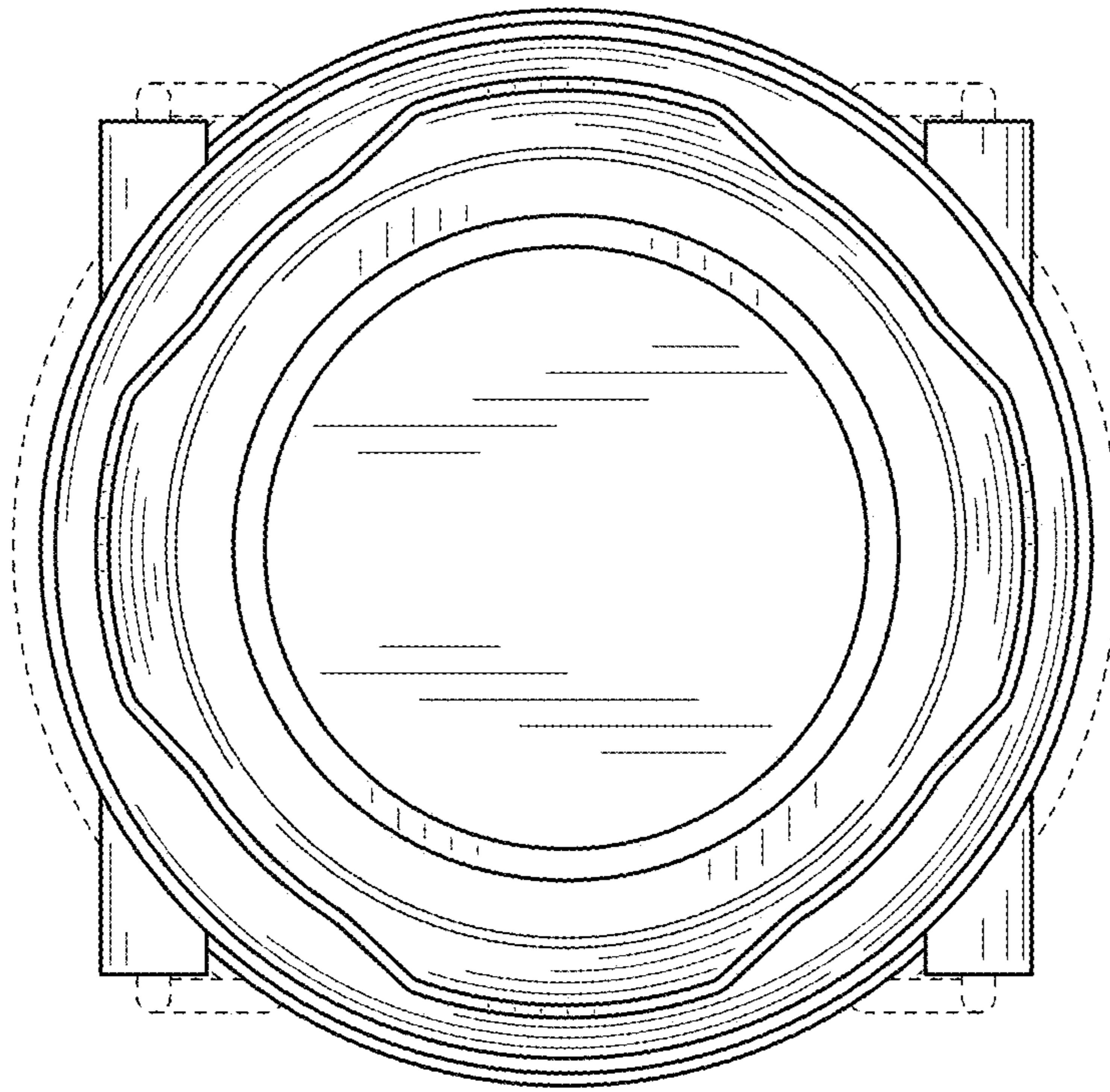


FIG. 4

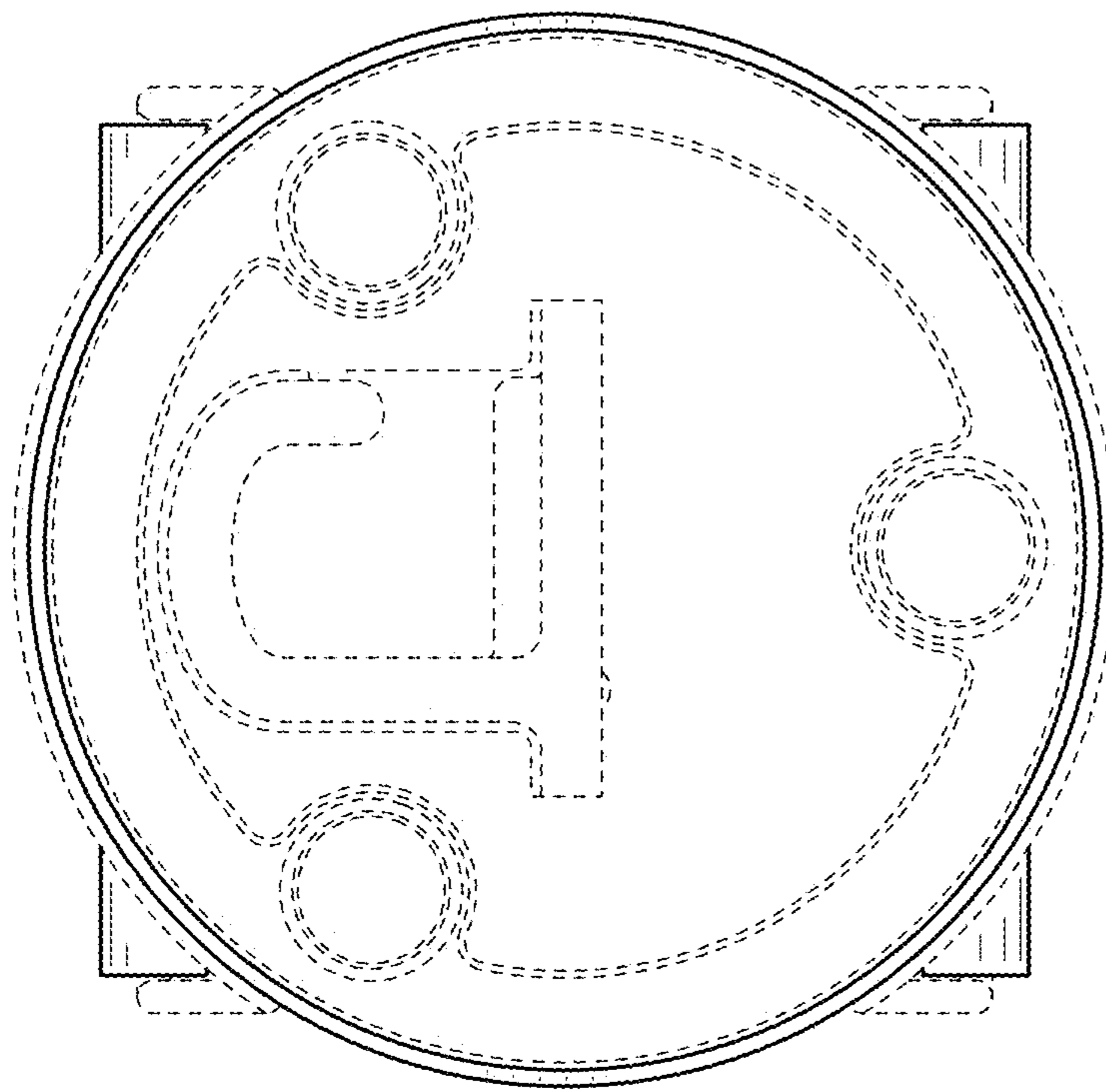


FIG. 5

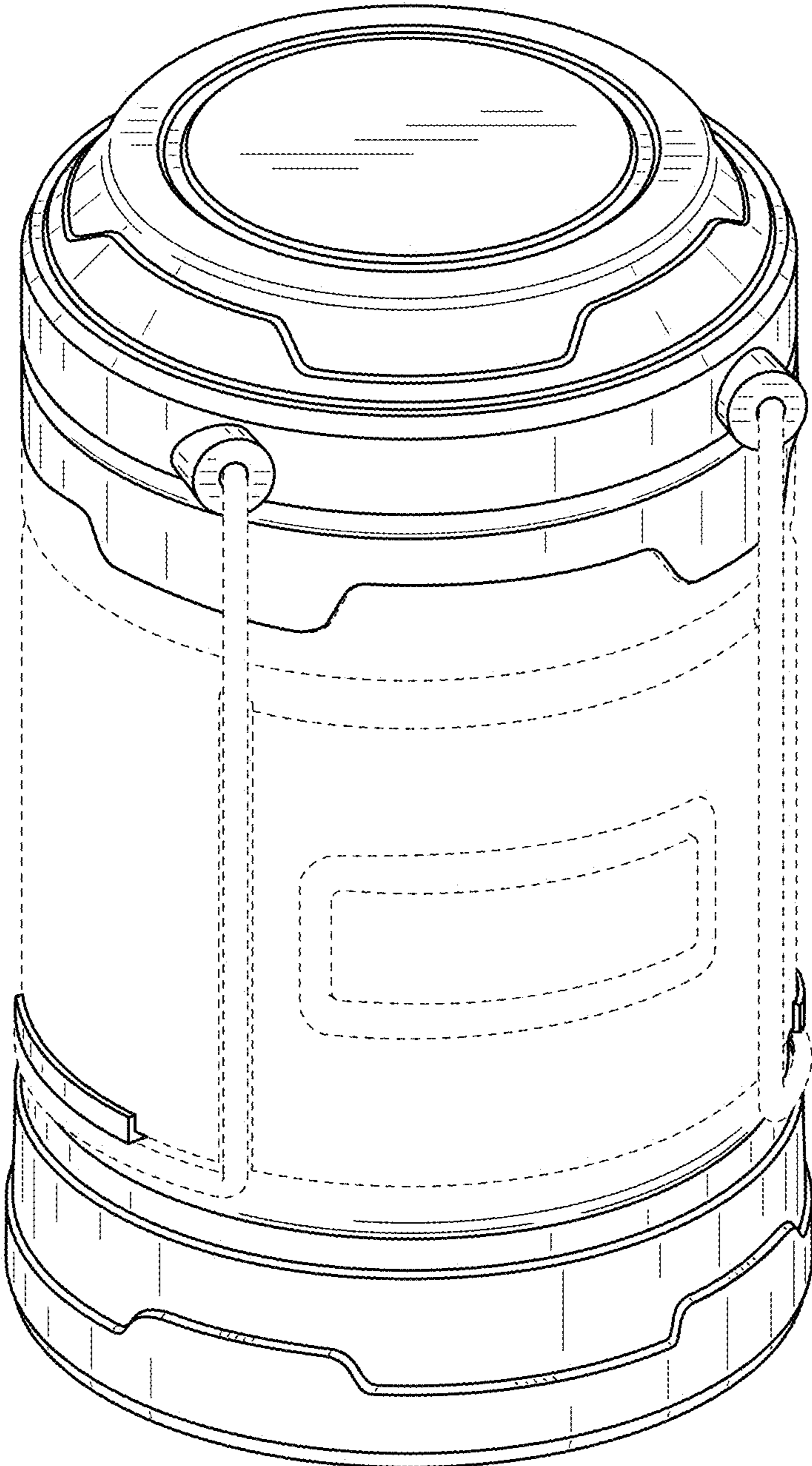


FIG. 6