



US00D919864S

(12) **United States Design Patent**  
**Hong et al.**

(10) **Patent No.:** **US D919,864 S**

(45) **Date of Patent:** **\*\* May 18, 2021**

- (54) **REAR COMBINATION LAMP FOR AN AUTOMOBILE**
- (71) Applicants: **Hyundai Motor Company**, Seoul (KR); **Kia Motors Corporation**, Seoul (KR)
- (72) Inventors: **Dong In Hong**, Jeonju-si (KR); **Je Won Seo**, Seoul (KR)
- (73) Assignees: **Hyundai Motor Company**, Seoul (KR); **Kia Motors Corporation**, Seoul (KR)

D706,964 S *	6/2014	Park	.....	D26/28
D738,547 S *	9/2015	Ko	.....	D26/28
D740,465 S *	10/2015	Park	.....	D26/28
D749,247 S *	2/2016	Han	.....	D26/28
D755,423 S *	5/2016	Kong	.....	D26/28
D763,488 S *	8/2016	Kwon	.....	D26/28
D774,220 S *	12/2016	Lim	.....	D26/28
D822,244 S *	7/2018	Lee	.....	D26/28
D823,504 S *	7/2018	Yoon	.....	D26/28
D838,016 S *	1/2019	McMahan	.....	D26/28
D842,505 S *	3/2019	Kim	.....	D26/28
D858,826 S *	9/2019	Han	.....	D26/28
D864,440 S *	10/2019	Bae	.....	D26/28
D893,066 S *	8/2020	Lin	.....	D26/28

(Continued)

- (\*\*) Term: **15 Years**
- (21) Appl. No.: **35/508,322**
- (22) Filed: **Jul. 5, 2019**

- (80) **Hague Agreement Data**
- Int. Filing Date: **Jul. 5, 2019**
- Int. Reg. No.: **DM/204182**
- Int. Reg. Date: **Jul. 5, 2019**
- Int. Reg. Pub. Date: **Jan. 10, 2020**

- (30) **Foreign Application Priority Data**
- May 3, 2019 (KR) ..... 30-2019-0020962

- (51) **LOC (13) Cl.** ..... **26-06**
- (52) **U.S. Cl.**
- USPC ..... **D26/28**

- (58) **Field of Classification Search**
- USPC ..... D26/28, 29, 34-36
- CPC .. F21S 41/00; F21S 41/20; F21S 41/30; F21S 43/14; F21S 43/15; F21S 43/20; B60Q 1/30; B60Q 1/2607; B60Q 1/2619; B60Q 1/2696; B62J 6/04
- See application file for complete search history.

- (56) **References Cited**
- U.S. PATENT DOCUMENTS

D614,330 S *	4/2010	Lamm	.....	D26/28
D657,080 S *	4/2012	Choo	.....	D26/28

OTHER PUBLICATIONS

2019\_-\_2021\_Genesis\_G70 (available online) Retrieved from the internet Dec. 4, 2020 from URL: [www.carbuzz.com/cars/genesis/g70](http://www.carbuzz.com/cars/genesis/g70).\*

*Primary Examiner* — Kevin K Rudzinski  
*Assistant Examiner* — Richard Kearney  
(74) *Attorney, Agent, or Firm* — Mintz Levin Cohn Ferris Glovsky and Popeo, P.C.; Peter F. Corless; Carolina E. Säve

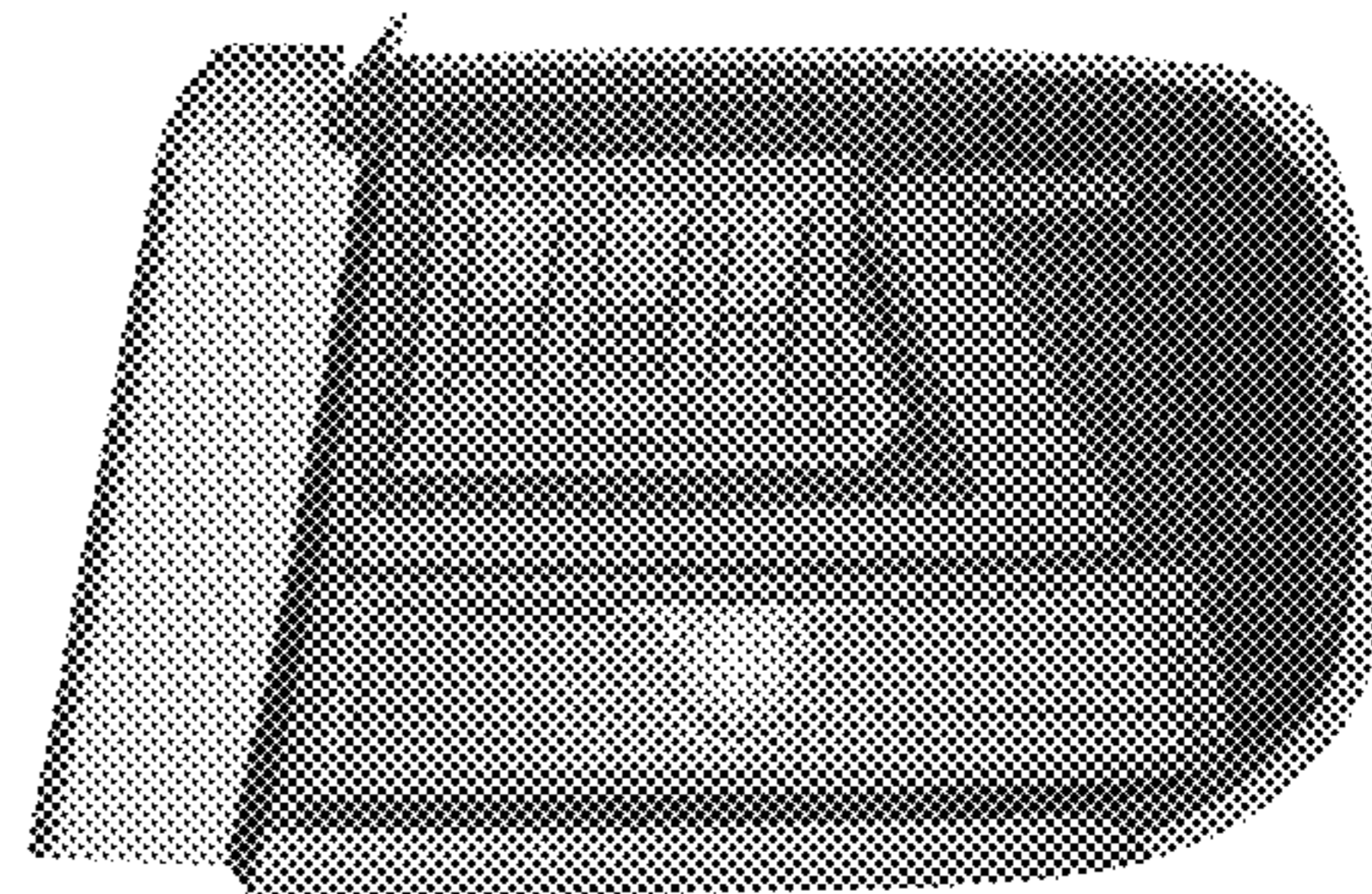
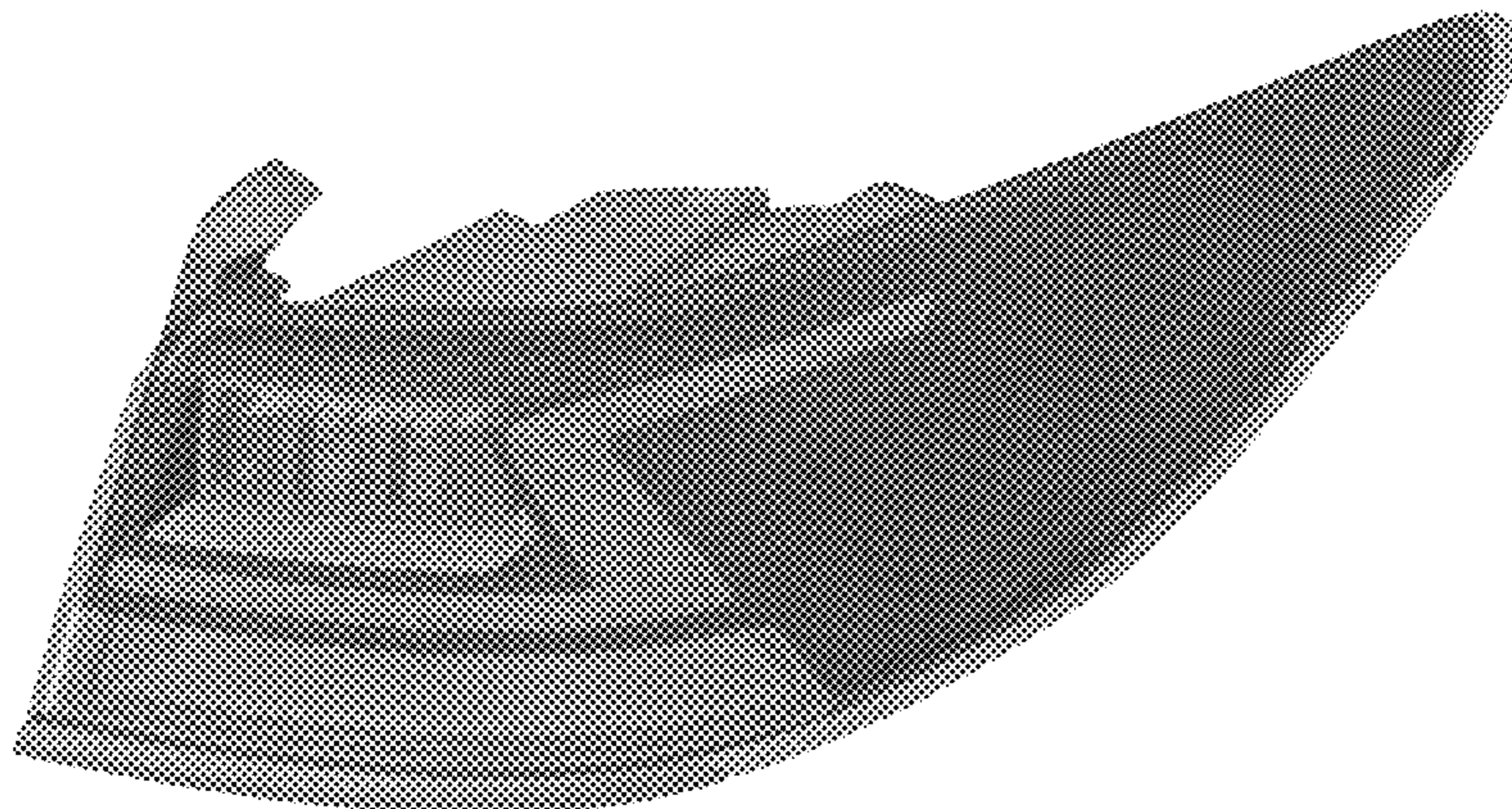
(57) **CLAIM**

The ornamental design for rear combination lamp for an automobile, as shown and described.

**DESCRIPTION**

- 1. Rear combination lamp for an automobile
- 1.1 : Perspective
- 1.2 : Front
- 1.3 : Back
- 1.4 : Left
- 1.5 : Right
- 1.6 : Top
- 1.7 : Bottom

**1 Claim, 7 Drawing Sheets**



(56)

**References Cited**

U.S. PATENT DOCUMENTS

D894,438 S \* 8/2020 Park Cheng ..... D26/28  
D900,358 S \* 10/2020 He ..... D26/28  
D914,256 S \* 3/2021 Kim ..... D26/28

\* cited by examiner



FIG. 1.1

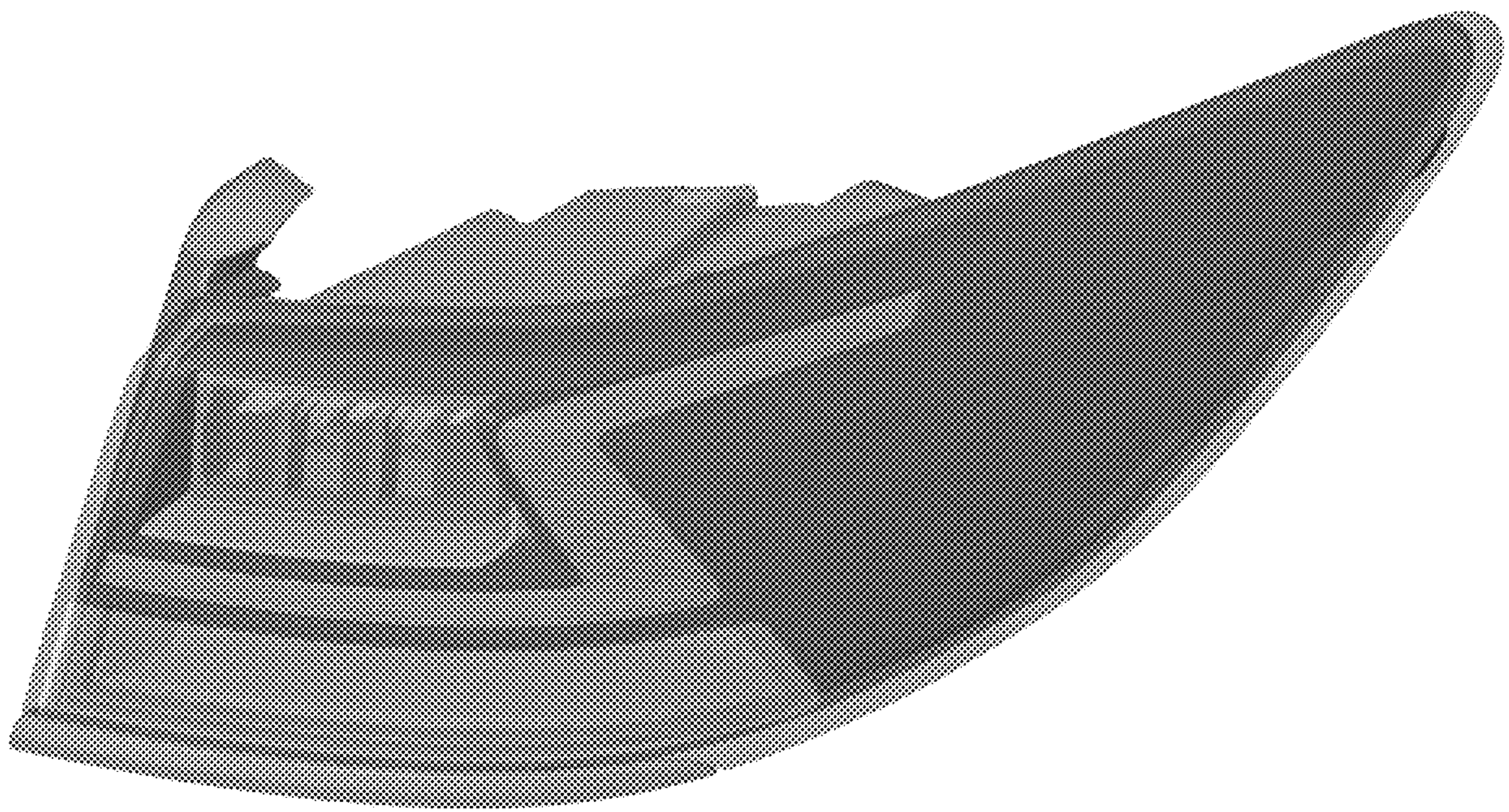


FIG. 1.2

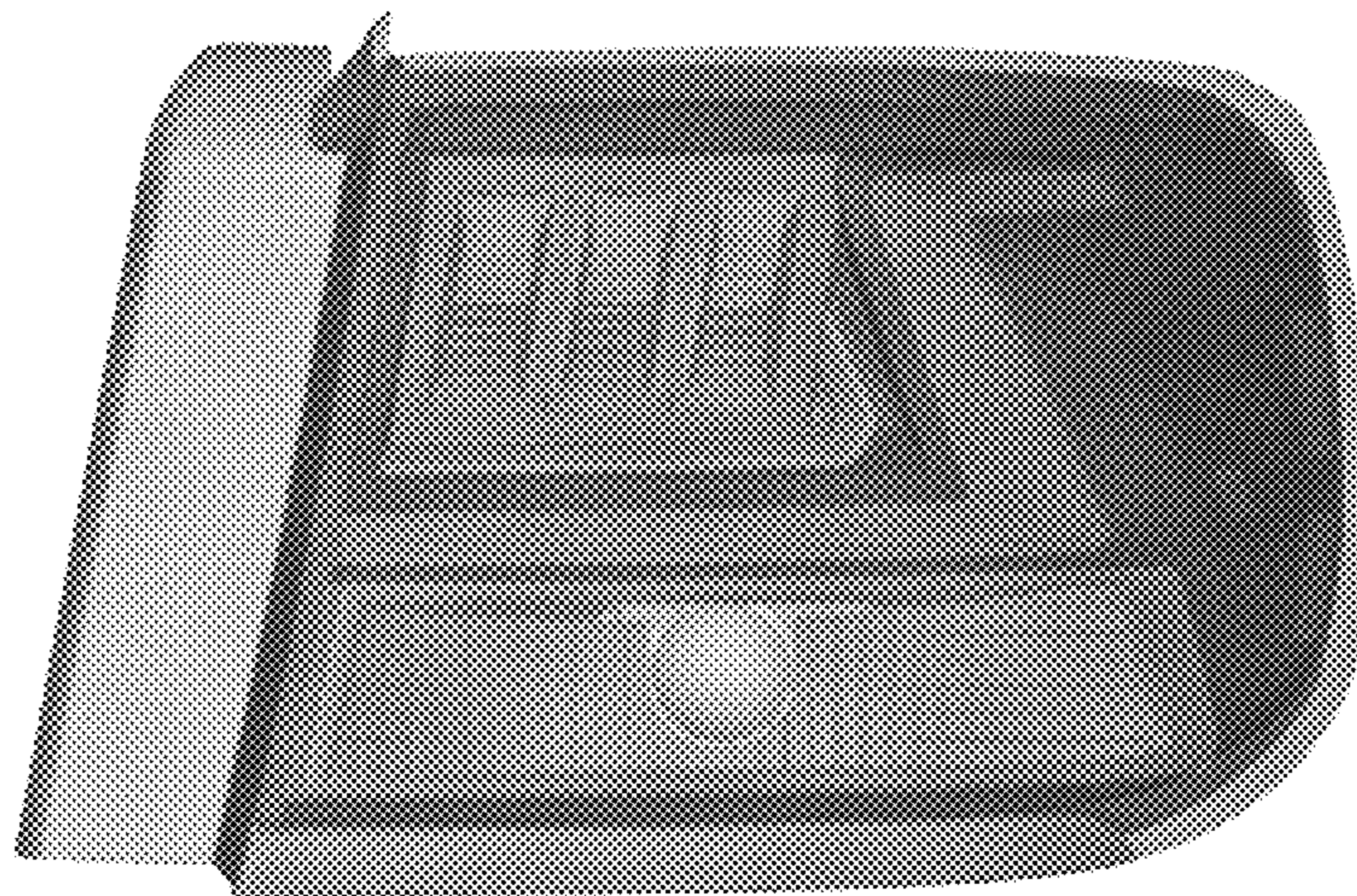




FIG. 1.3

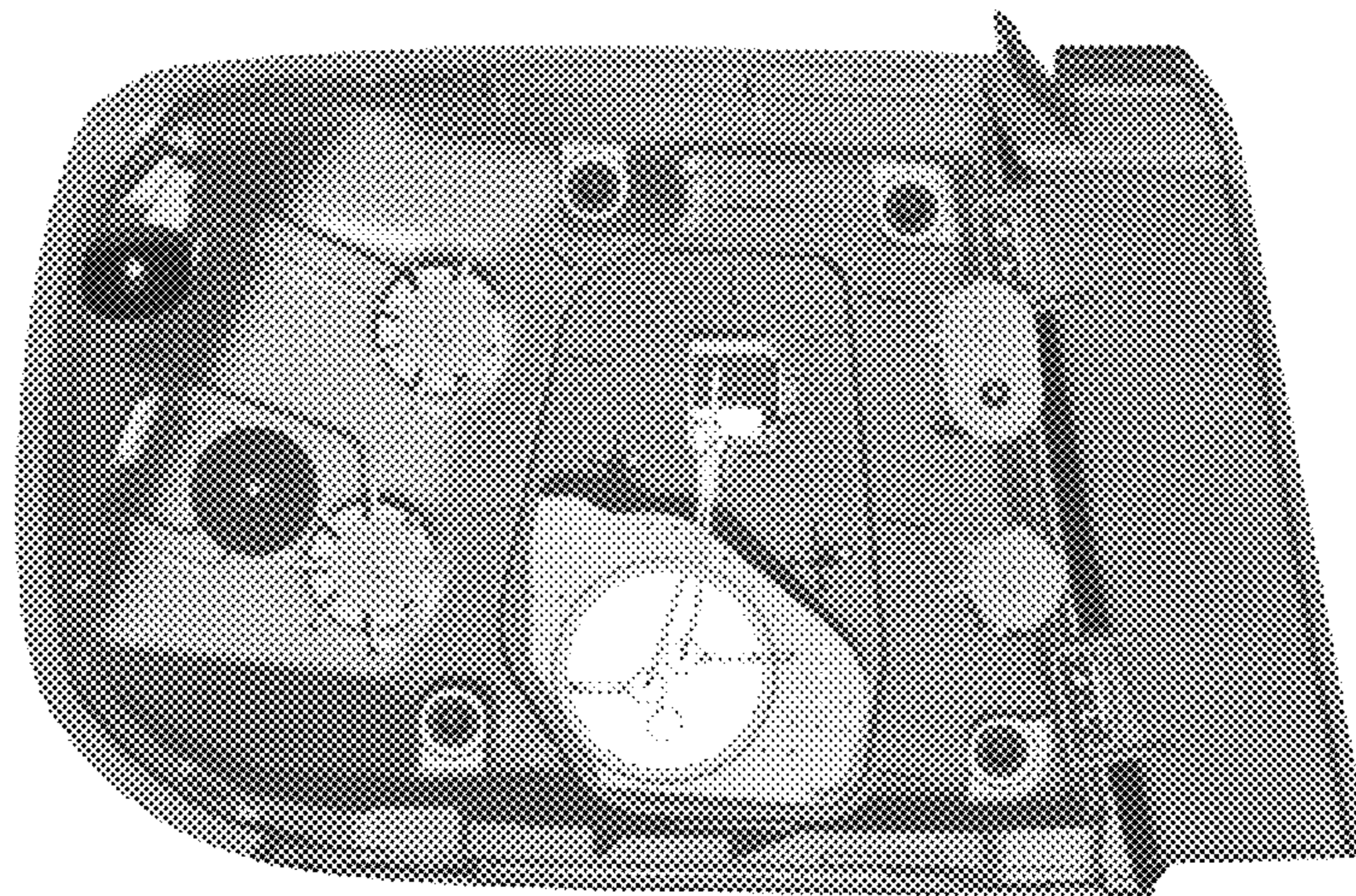


FIG. 1.4

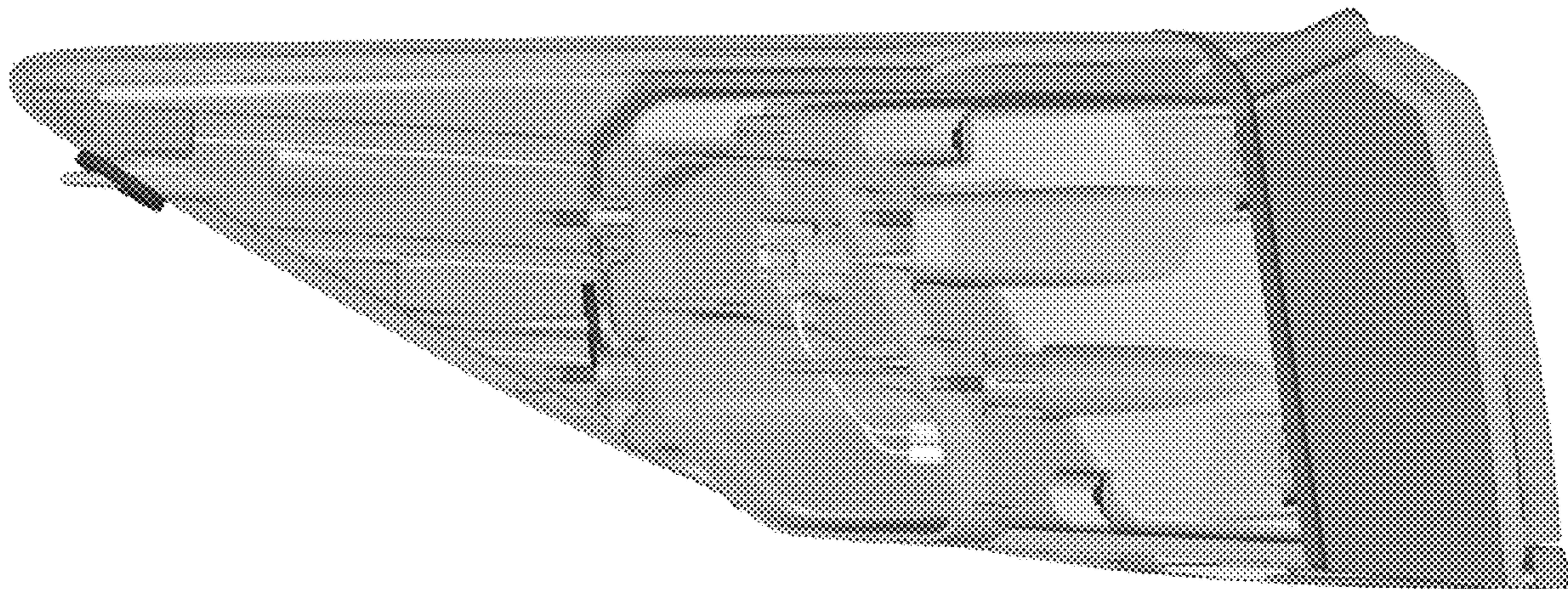




FIG. 1.5

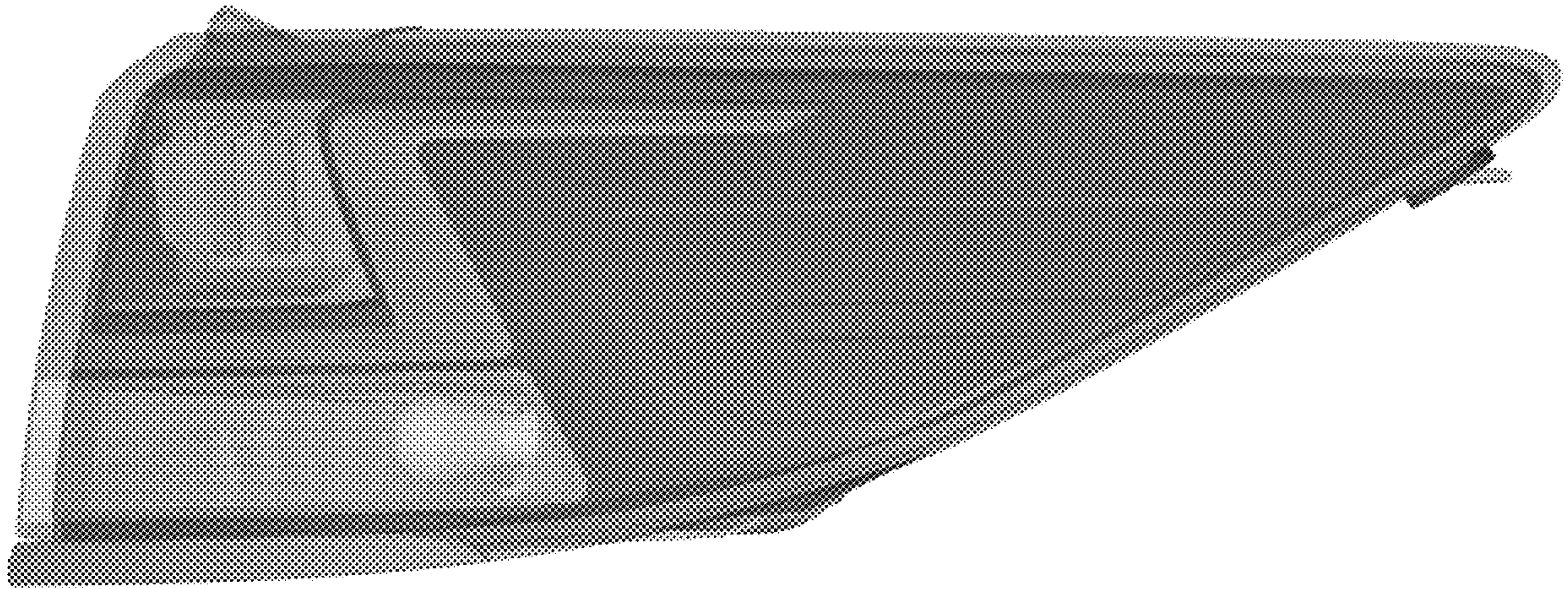


FIG. 1.6

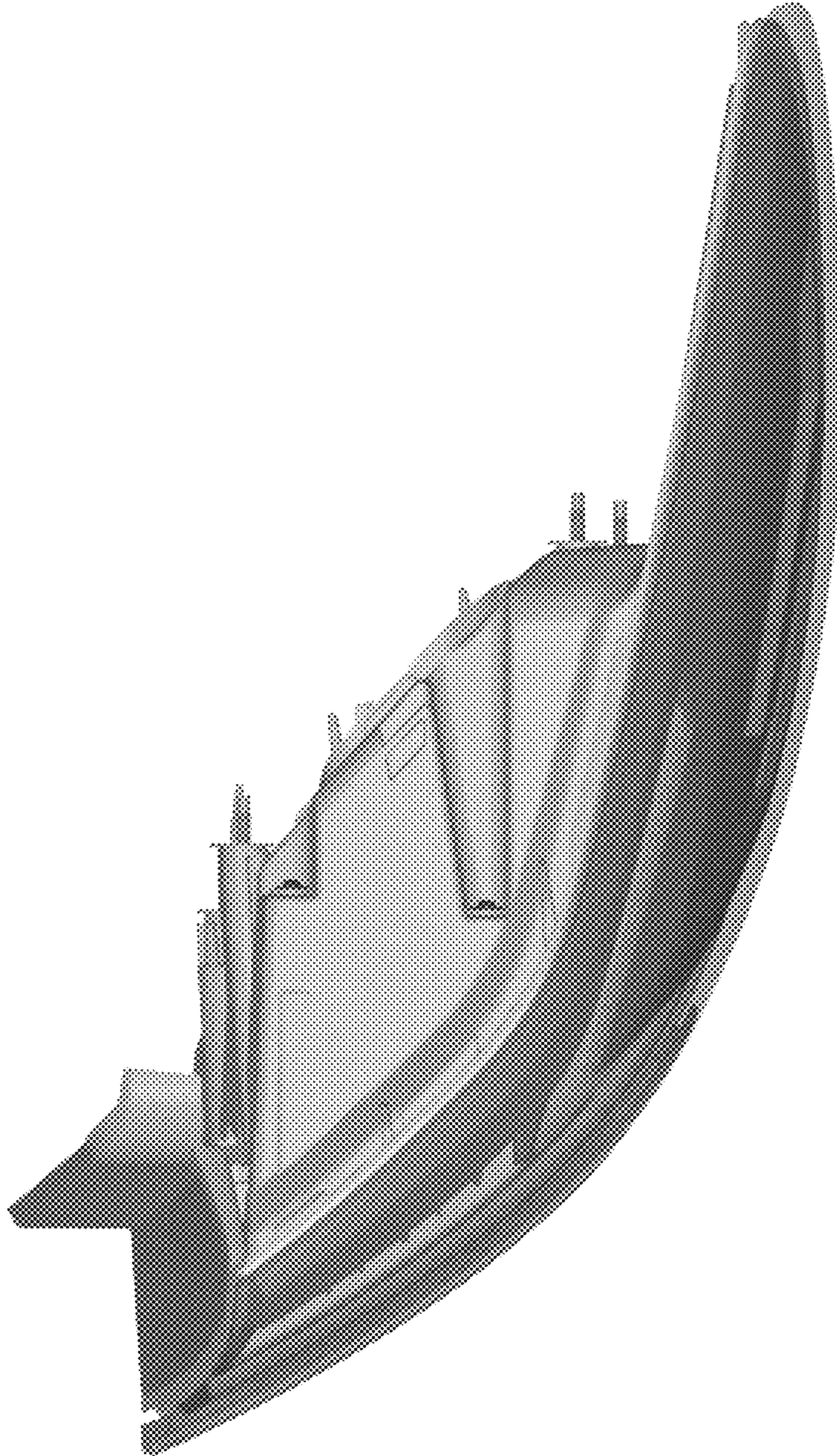




FIG. 1.7

