



US00D919862S

(12) **United States Design Patent** (10) **Patent No.:** **US D919,862 S**
Wraith et al. (45) **Date of Patent:** **** May 18, 2021**

(54) **VEHICLE TAIL LAMP**

(71) Applicant: **Ford Global Technologies, LLC,**
Dearborn, MI (US)

(72) Inventors: **Paul Wraith**, West Bloomfield, MI (US); **Young Kwon**, Cologne (DE); **Daniel J. Kangas**, Livonia, MI (US); **Dean Carbis**, Bloomfield Hills, MI (US); **Melvin Betancourt**, Shelby Township, MI (US)

(73) Assignee: **Ford Global Technologies, LLC,**
Dearborn, MI (US)

(**) Term: **15 Years**

(21) Appl. No.: **29/726,385**

(22) Filed: **Mar. 3, 2020**

(51) **LOC (13) Cl.** **26-06**

(52) **U.S. Cl.**
USPC **D26/28**

(58) **Field of Classification Search**
USPC D26/28, 29, 30, 31, 32, 33, 34, 35, 36
CPC F21S 48/00; F21S 48/10; F21S 48/115;
F21S 48/225; F21S 48/1233; F21S 48/1266; F21S 48/1388; F21S 48/2268;
F21V 21/04; F21W 2103/35; F21W 3/40;
F21W 2102/17; F21W 2102/30; F21W 2103/00; F21W 2103/55; F21W 2104/00;
F21W 2107/17; F21W 2107/13

See application file for complete search history.

(56) **References Cited**

U.S. PATENT DOCUMENTS

| | | | | |
|--------------|---------|------------------------|-------|--------|
| D723,198 S * | 2/2015 | Campbell | | D26/28 |
| D731,099 S * | 6/2015 | Thole | | D26/28 |
| D747,513 S * | 1/2016 | Sato | | D26/28 |
| D761,458 S * | 7/2016 | Chung | | D26/28 |
| D769,478 S * | 10/2016 | Gorsten Schuenemann .. | | D26/28 |
| D797,971 S * | 9/2017 | Mainville | | D26/28 |
| D806,918 S * | 1/2018 | Koizumi | | D26/28 |
| D844,193 S * | 3/2019 | Zhang | | D26/28 |

| | | | | |
|--------------|---------|--------|-------|--------|
| D869,018 S * | 12/2019 | Dewitt | | D26/28 |
| D898,959 S * | 10/2020 | Platto | | D26/28 |
| D902,451 S * | 11/2020 | Platto | | D26/28 |
| D902,453 S * | 11/2020 | Carbis | | D26/28 |
| D903,155 S * | 11/2020 | Platto | | D26/28 |

OTHER PUBLICATIONS

Unknown, My observations from seeing see the actual 4-door Bronco raw, unpainted sheet metal shell, Feb. 15, 2020 <https://www.bronco6g.com/forum/threads/my-observations-from-seeing-see-the-actual-4-door-bronco-raw-unpainted-sheet-metal-shell.1048/>.

Unknown, Here's the 2021 Bronco's Tail Light Shape Illuminated, Feb. 19, 2020 <https://www.bronco6g.com/forum/threads/heres-the-2021-broncos-tail-light-shape-illuminated.1071/>.

Unknown, 2021 Bronco Interior Spied Undisguised!!, Feb. 25, 2020 <https://www.bronco6g.com/forum/threads/2021-bronco-interior-spied-undisguised.1096/>.

* cited by examiner

Primary Examiner — Angela J Lee

(74) *Attorney, Agent, or Firm* — Michael Spenner

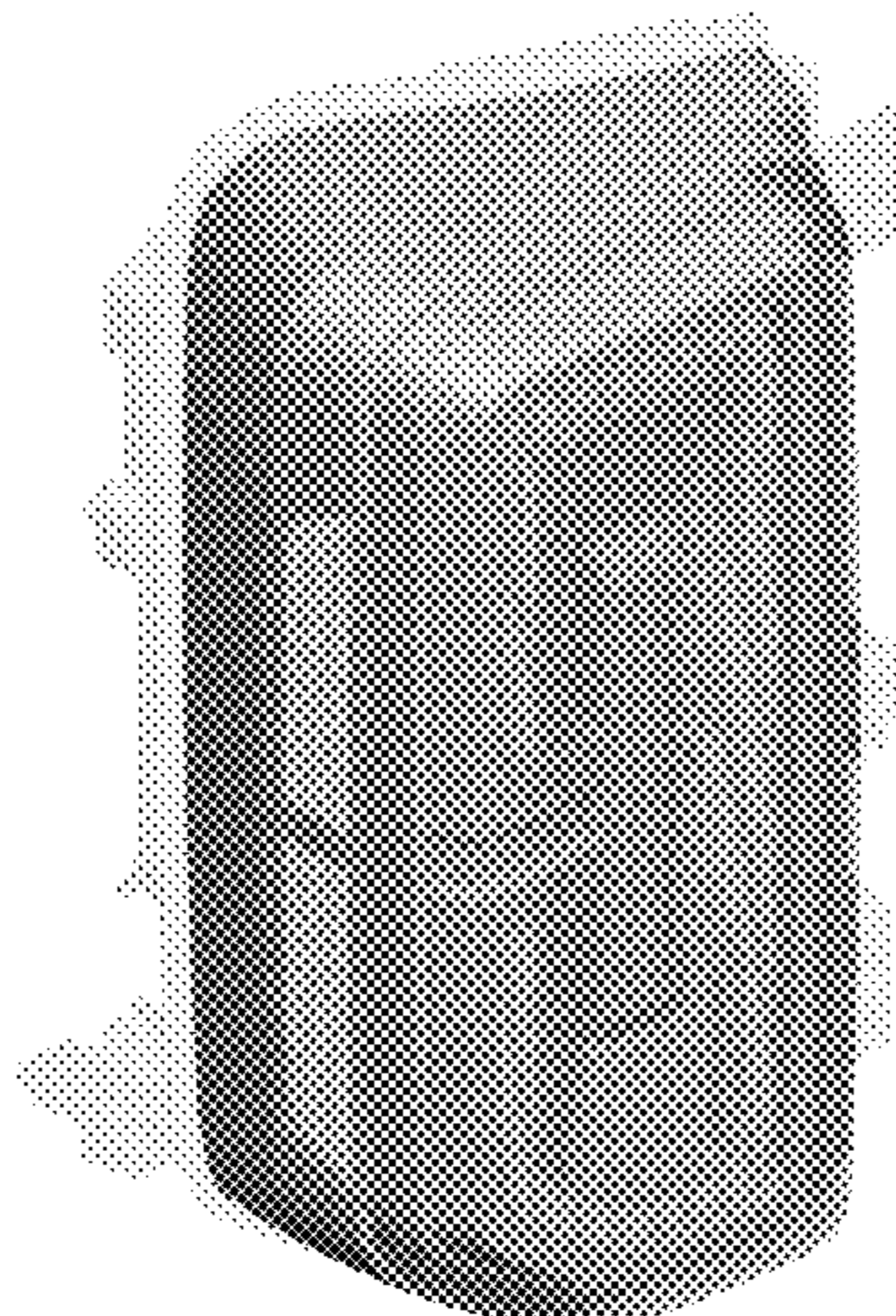
(57) **CLAIM**

The ornamental design for a vehicle tail lamp, as shown and described.

DESCRIPTION

FIG. 1 is a front elevational view of a vehicle tail lamp, showing our new design;
FIG. 2 is a left side elevational view thereof;
FIG. 3 is a right side elevational view thereof;
FIG. 4 is a top plan view thereof;
FIG. 5 is a bottom plan view thereof;
FIG. 6 is a top, front and left side perspective view thereof;
and,
FIG. 7 is a bottom, front and left side perspective view thereof.

(Continued)



The claimed design is indicated by the relatively dark portions in the figures. The de-emphasized and relatively light portions form no part of the claimed design.

1 Claim, 7 Drawing Sheets

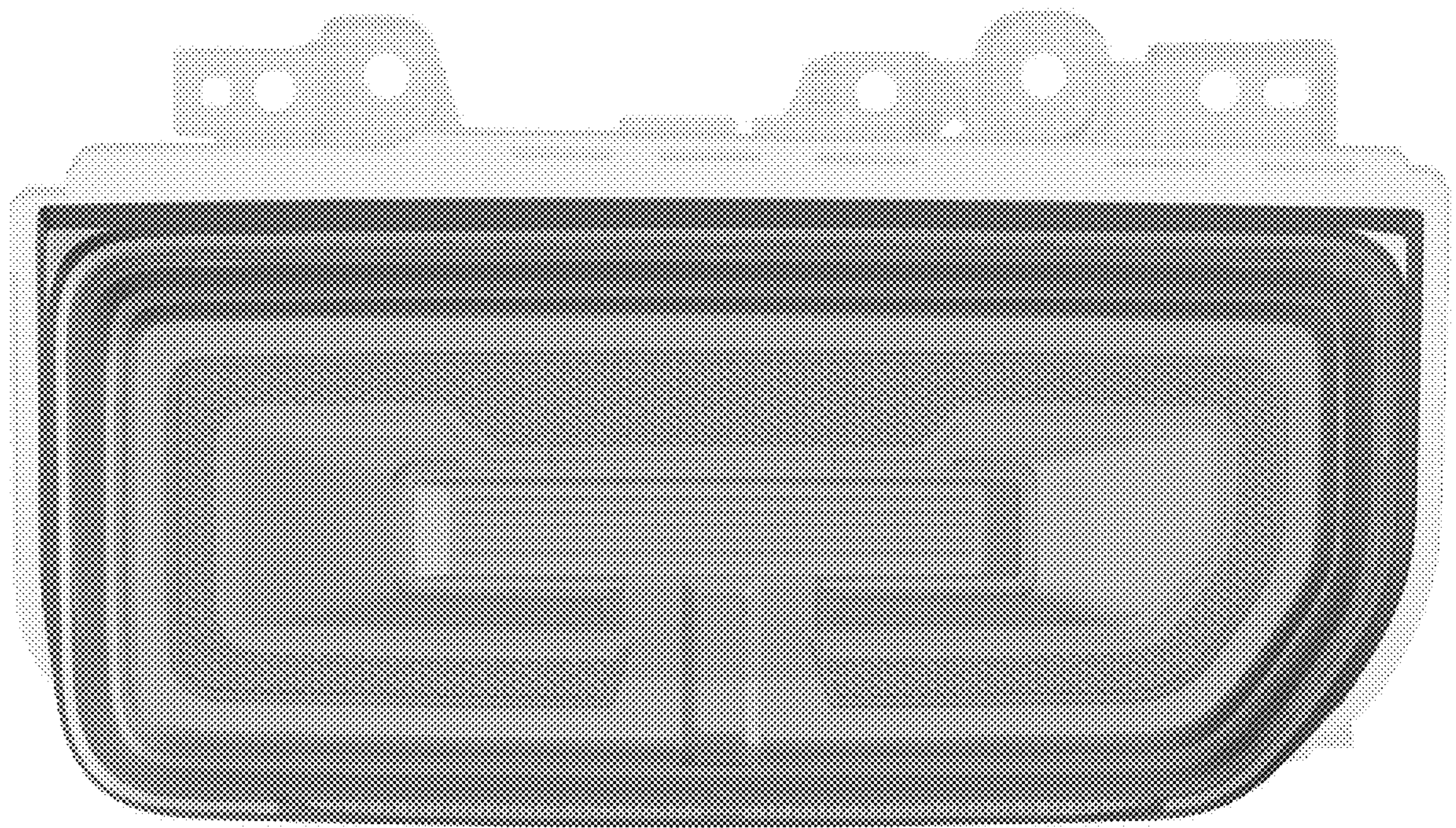
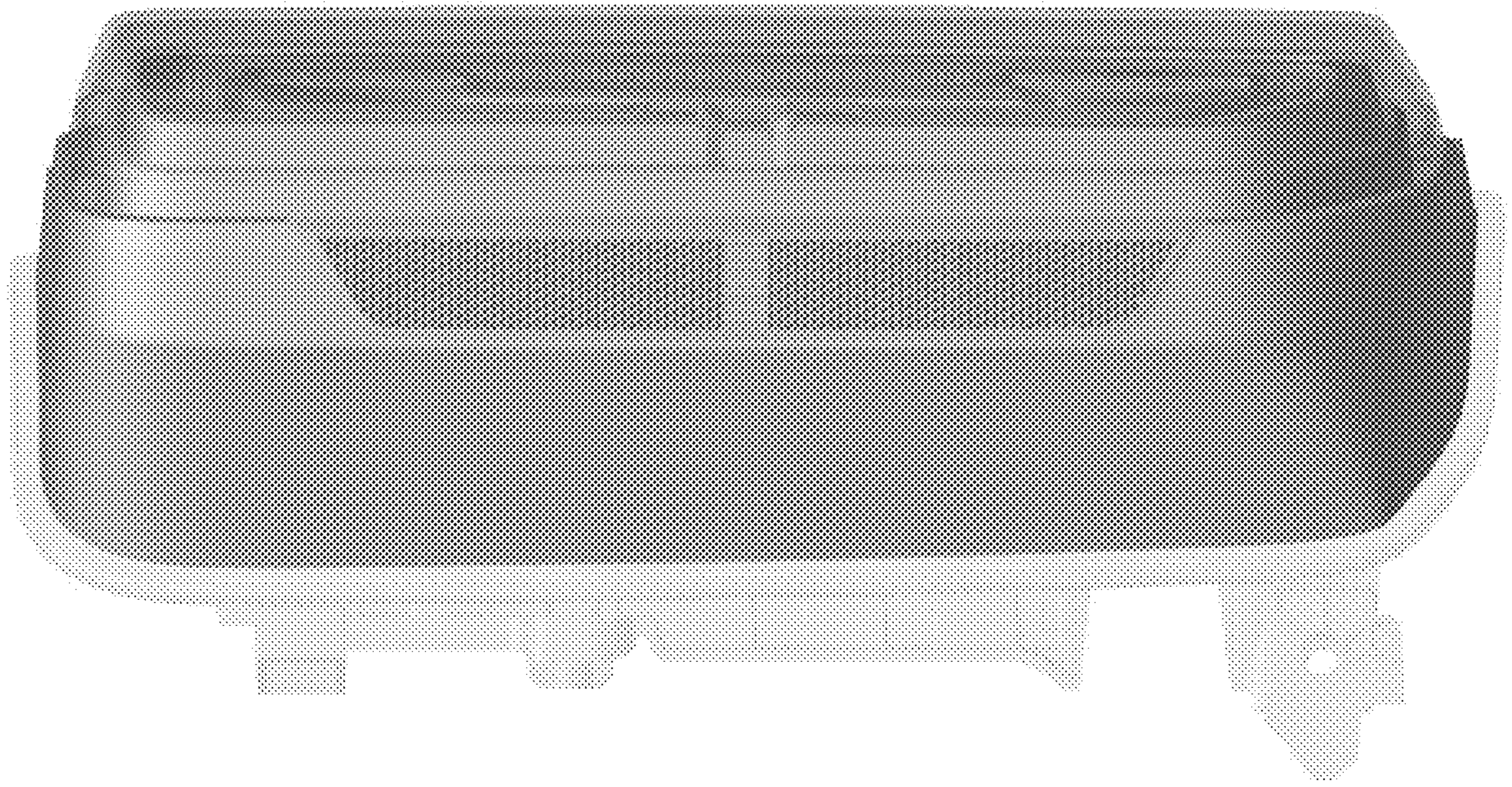


Fig. 1

Fig. 2



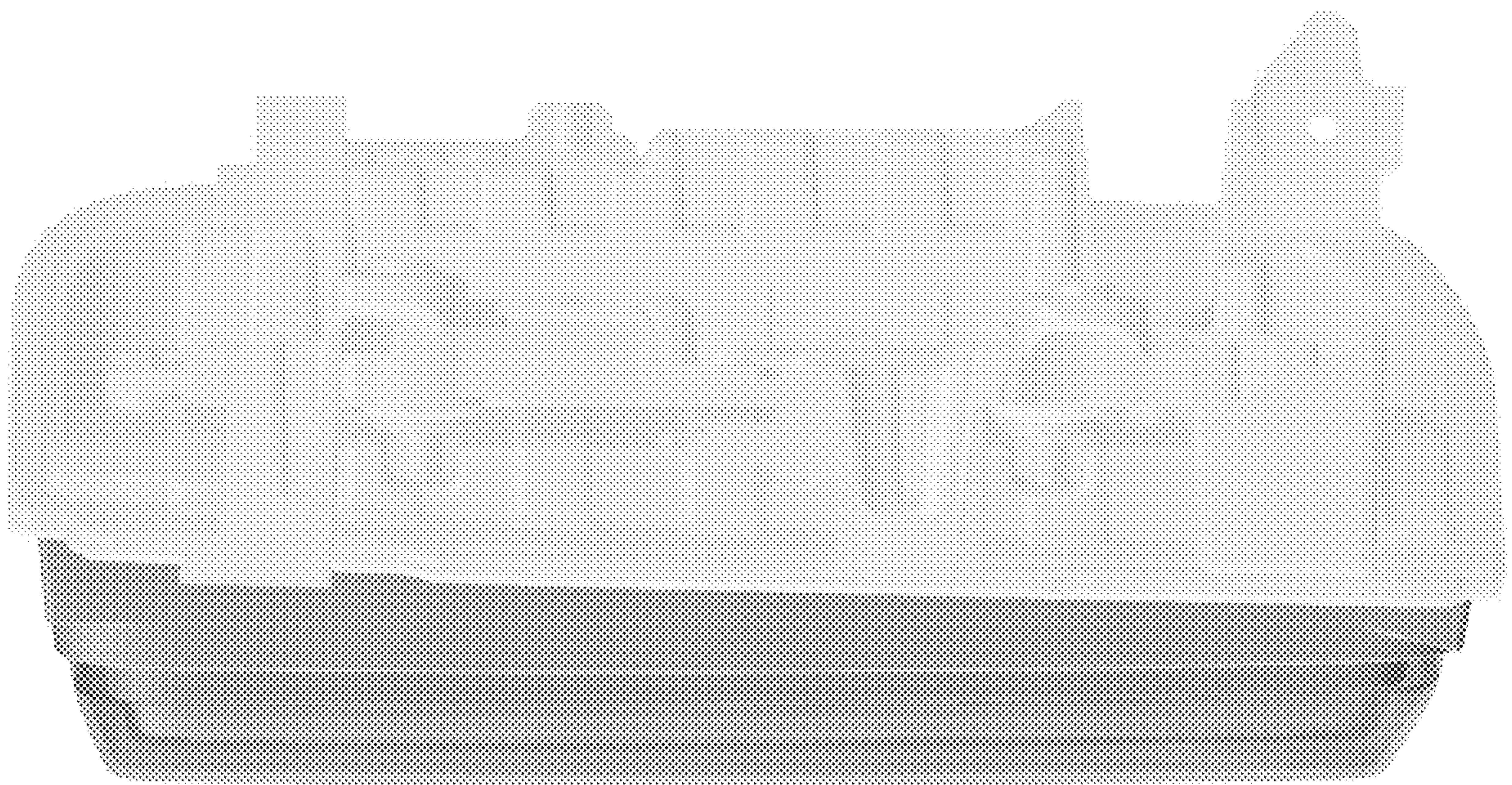


Fig. 3



Fig.4

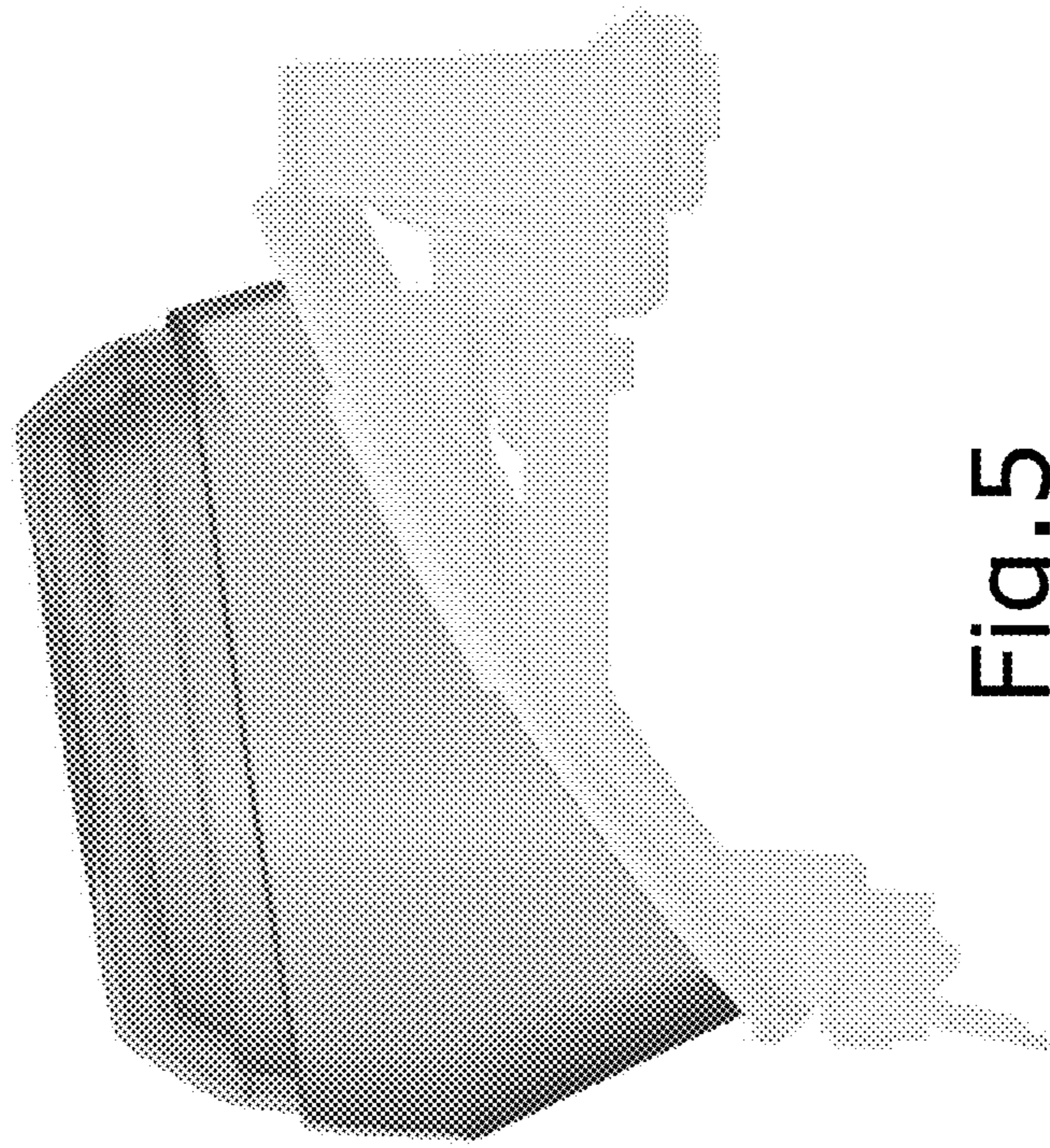


Fig. 5

Fig. 6



Fig. 7

