



US00D919861S

(12) **United States Design Patent** (10) **Patent No.:** **US D919,861 S**  
**Wraith et al.** (45) **Date of Patent:** **\*\* May 18, 2021**

(54) **VEHICLE TAIL LAMP**

(71) Applicant: **Ford Global Technologies, LLC,**  
Dearborn, MI (US)

(72) Inventors: **Paul Wraith,** West Bloomfield, MI (US); **Young Kwon,** Cologne (DE); **Daniel J. Kangas,** Livonia, MI (US); **Dean Carbis,** Bloomfield Hills, MI (US); **Melvin Betancourt,** Shelby Township, MI (US)

(73) Assignee: **Ford Global Technologies, LLC,**  
Dearborn, MI (US)

(\*\*) Term: **15 Years**

(21) Appl. No.: **29/726,383**

(22) Filed: **Mar. 3, 2020**

(51) **LOC (13) Cl.** ..... **26-06**

(52) **U.S. Cl.**  
USPC ..... **D26/28**

(58) **Field of Classification Search**  
USPC ..... D26/28, 29, 30, 31, 32, 33, 34, 35, 36  
CPC ..... F21S 48/00; F21S 48/10; F21S 48/115;  
F21S 48/225; F21S 48/1233; F21S 48/1266; F21S 48/1388; F21S 48/2268;  
F21V 21/04; F21W 2103/35; F21W 3/40;  
F21W 2102/17; F21W 2102/30; F21W 2103/00; F21W 2103/55; F21W 2104/00;  
F21W 2107/17; F21W 2107/13

See application file for complete search history.

(56) **References Cited**

**U.S. PATENT DOCUMENTS**

D723,198 S \* 2/2015 Campbell ..... D26/28  
D731,099 S \* 6/2015 Thole ..... D26/28  
D747,513 S \* 1/2016 Sato ..... D26/28  
D761,458 S \* 7/2016 Chung ..... D26/28  
D769,478 S \* 10/2016 Gorsten Schuenemann .. D26/28  
D797,971 S \* 9/2017 Mainville ..... D26/28  
D806,918 S \* 1/2018 Koizumi ..... D26/28  
D844,193 S \* 3/2019 Zhang ..... D26/28

D869,018 S \* 12/2019 Dewitt ..... D26/28  
D898,959 S \* 10/2020 Platto ..... D26/28  
D902,451 S \* 11/2020 Platto ..... D26/28  
D902,453 S \* 11/2020 Carbis ..... D26/28  
D903,155 S \* 11/2020 Platto ..... D26/28

**OTHER PUBLICATIONS**

Unknown, My observations from seeing see the actual 4-door Bronco raw, unpainted sheet metal shell, Feb. 15, 2020 <https://www.bronco6g.com/forum/threads/my-observations-from-seeing-see-the-actual-4-door-bronco-raw-unpainted-sheet-metal-shell.1048/>.

Unknown, Here's the 2021 Bronco's Tail Light Shape Illuminated, Feb. 19, 2020 <https://www.bronco6g.com/forum/threads/heres-the-2021-broncos-tail-light-shape-illuminated.1071/>.

Unknown, 2021 Bronco Interior Spied Undisguised!!, Feb. 25, 2020 <https://www.bronco6g.com/forum/threads/2021-bronco-interior-spied-undisguised.1096/>.

\* cited by examiner

*Primary Examiner* — Angela J Lee

(74) *Attorney, Agent, or Firm* — Michael Spenner

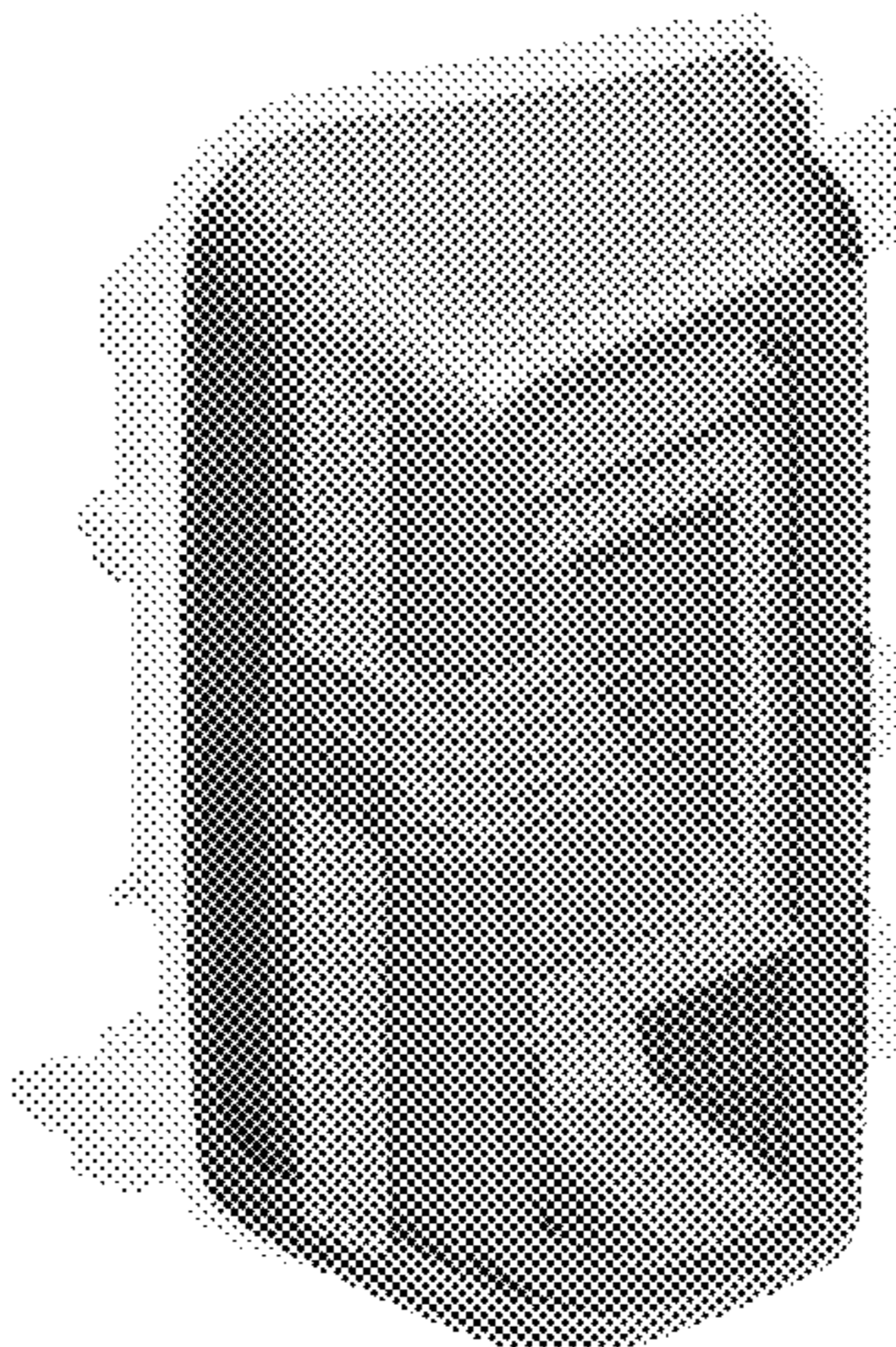
(57) **CLAIM**

The ornamental design for a vehicle tail lamp, as shown and described.

**DESCRIPTION**

FIG. 1 is a front elevational view of a vehicle tail lamp, showing our new design;  
FIG. 2 is a left side elevational view thereof;  
FIG. 3 is a right side elevational view thereof;  
FIG. 4 is a top plan view thereof;  
FIG. 5 is a bottom plan view thereof;  
FIG. 6 is a top, front and left side perspective view thereof; and,  
FIG. 7 is a bottom, front and left side perspective view thereof.

(Continued)



The claimed design is indicated by the relatively dark portions in the figures. The de-emphasized and relatively light portions form no part of the claimed design.

**1 Claim, 7 Drawing Sheets**

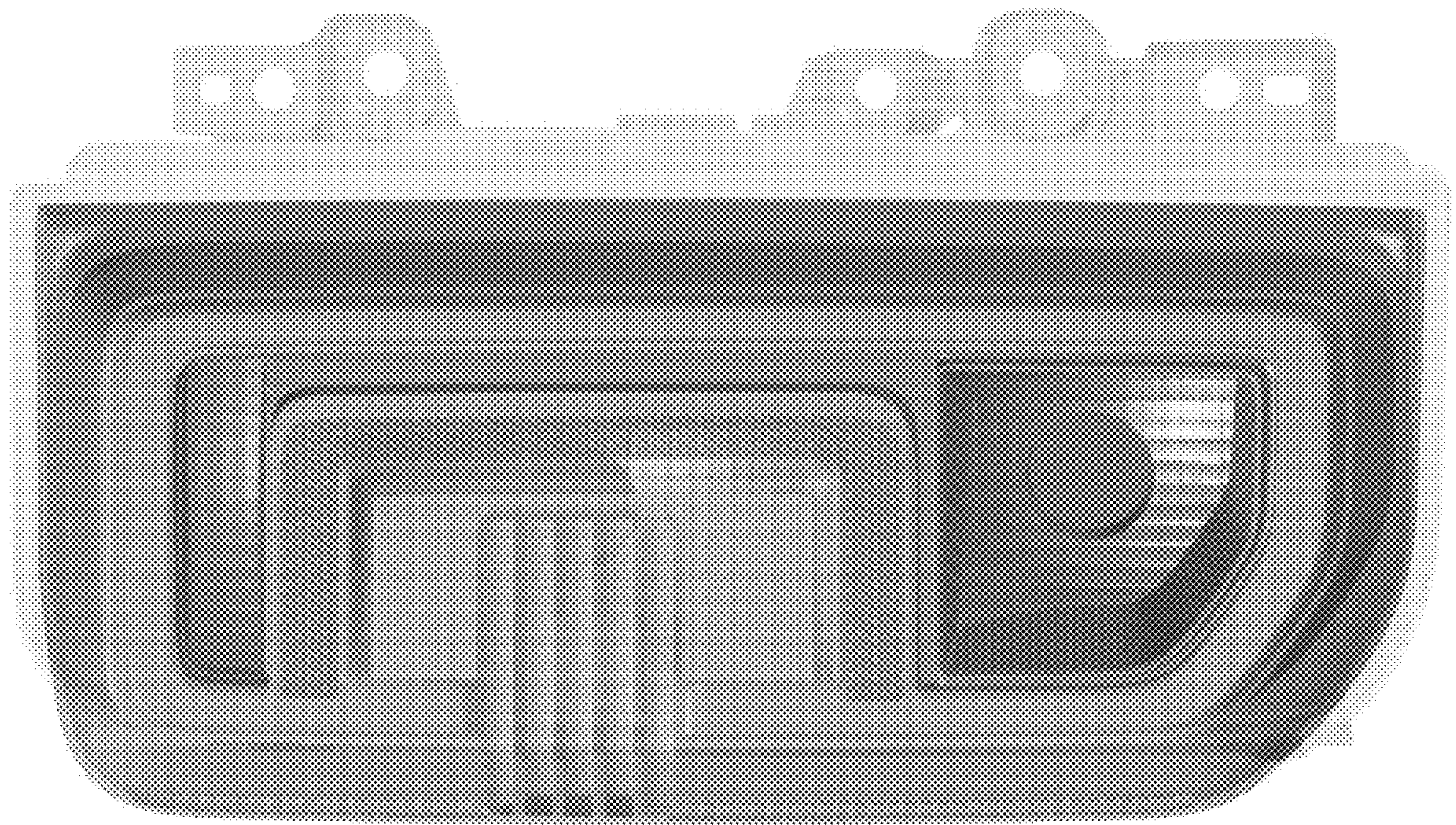
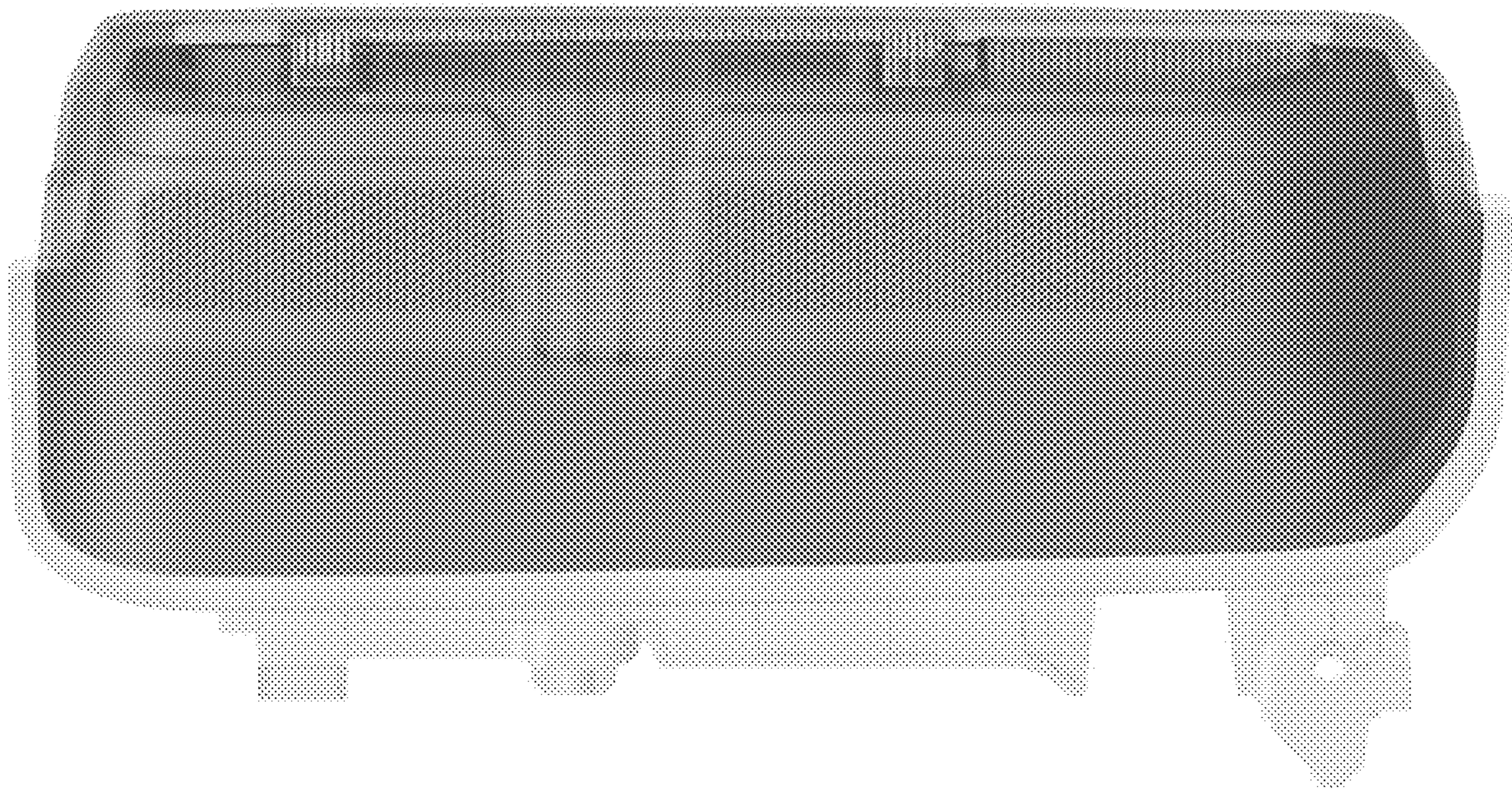


Fig. 1

Fig. 2



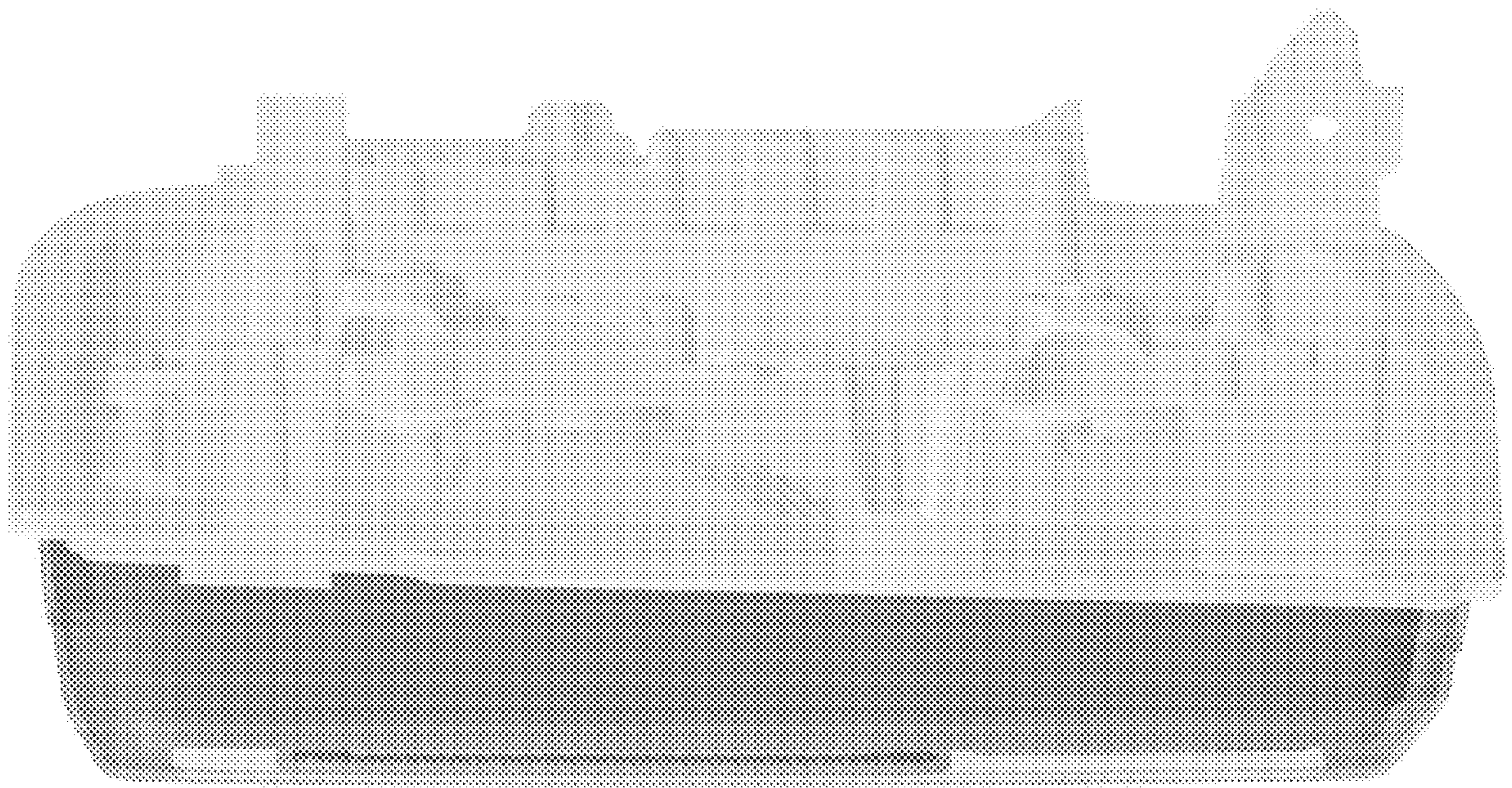


Fig. 3

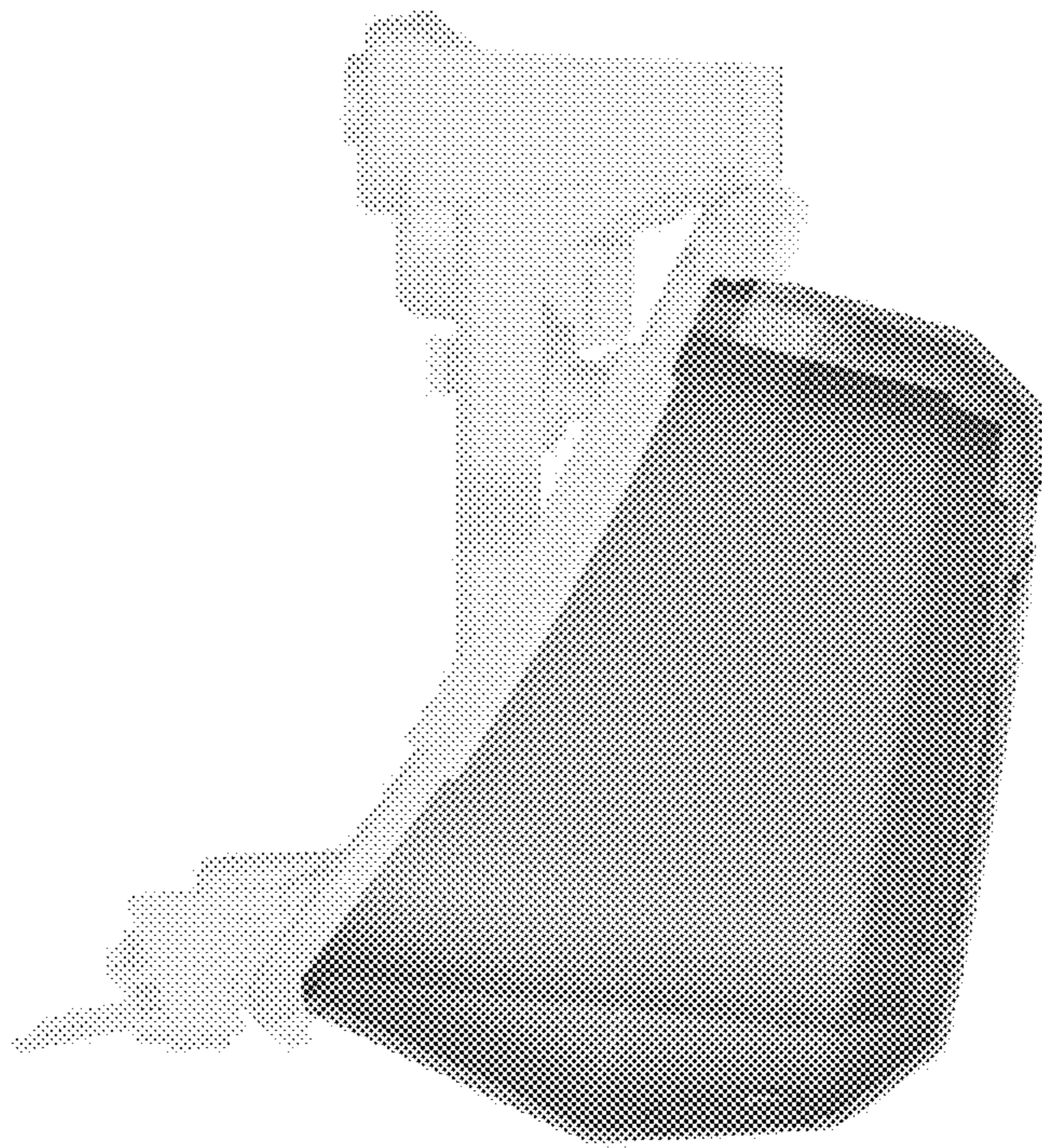


Fig.4

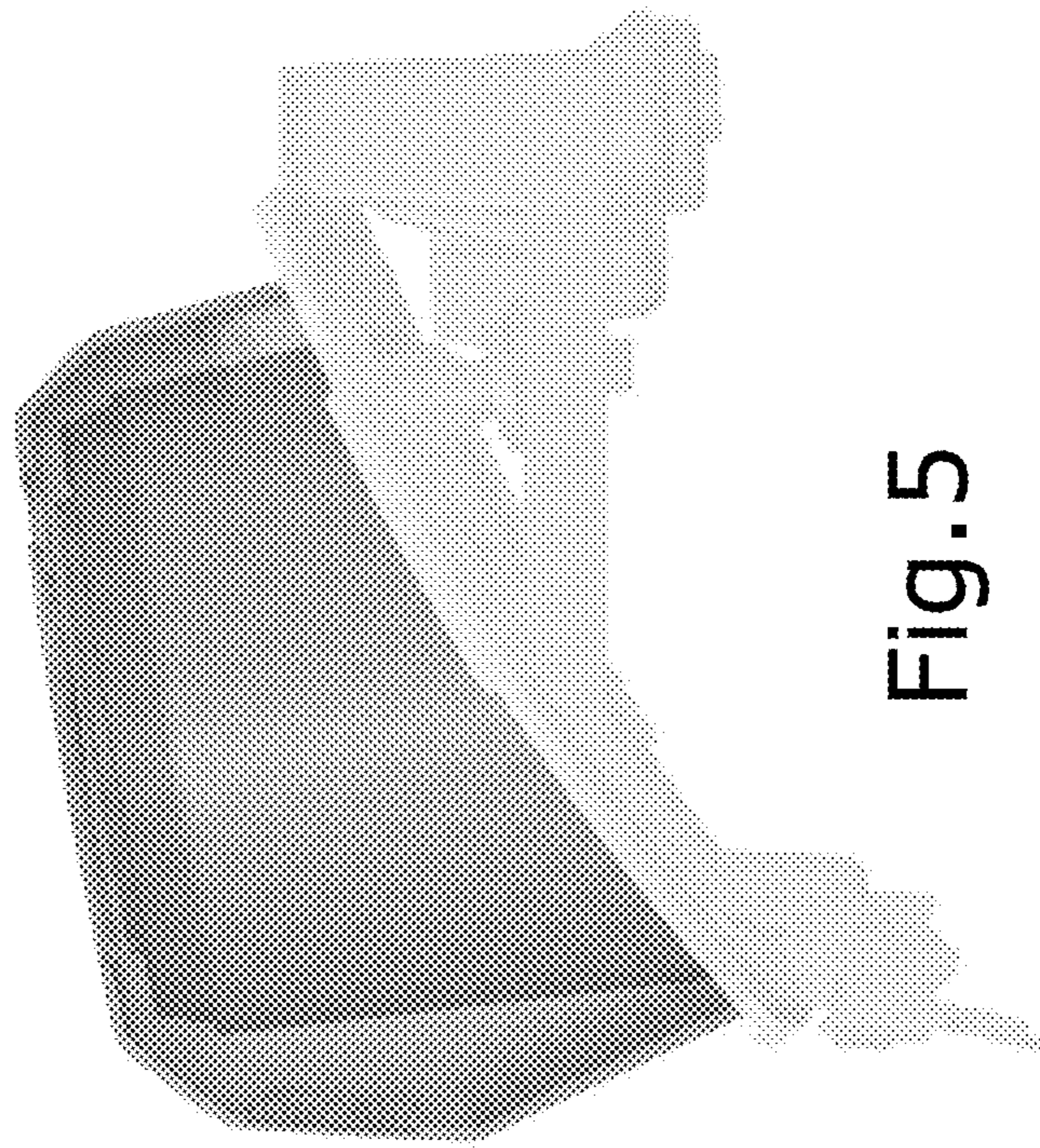


Fig. 5

Fig. 6

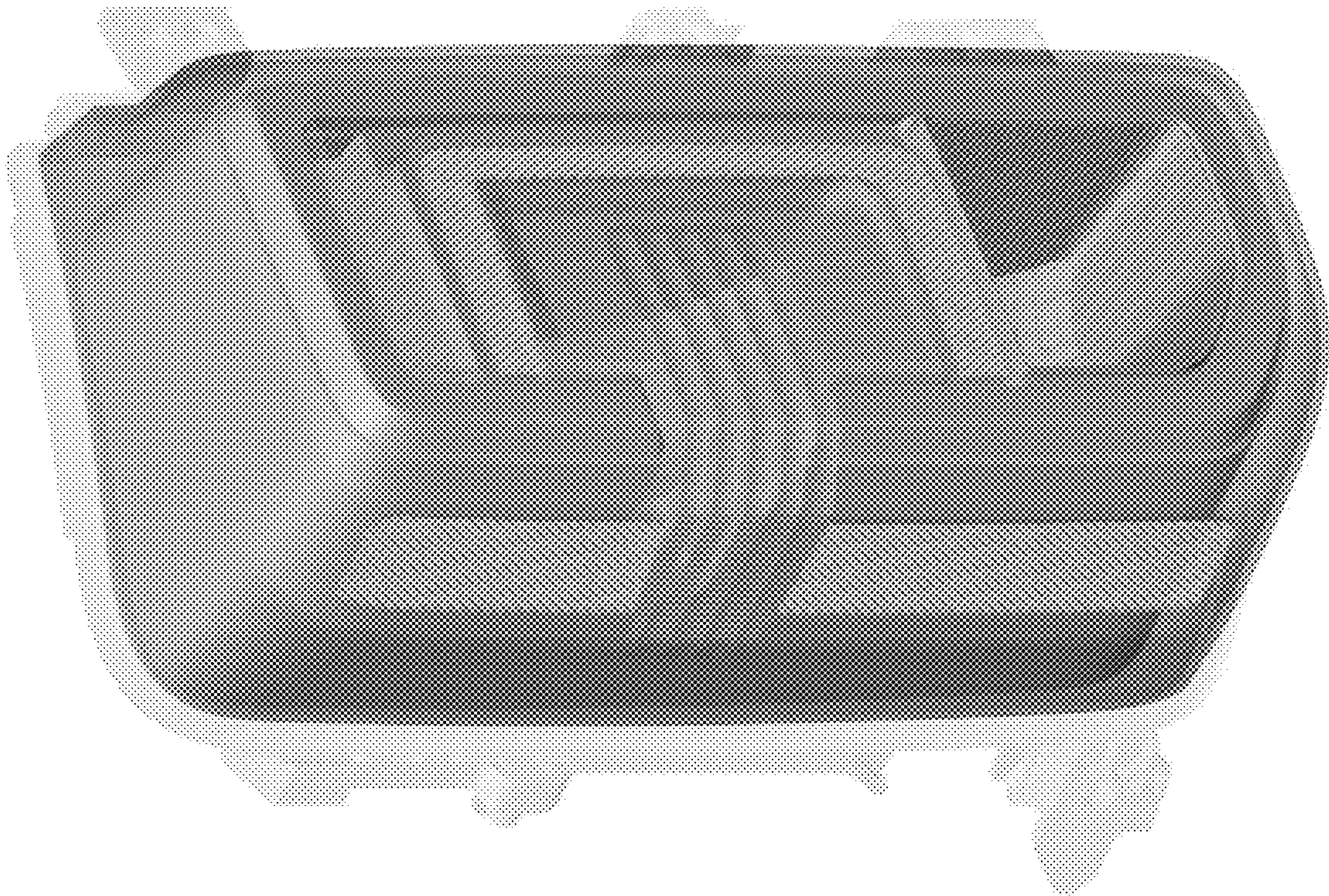




Fig. 7

