



US00D919855S

(12) **United States Design Patent** (10) **Patent No.:** **US D919,855 S**
Kaoud et al. (45) **Date of Patent:** **** May 18, 2021**

(54) **VEHICLE HEADLIGHT**
(71) Applicant: **Ford Global Technologies, LLC**,
Dearborn, MI (US)
(72) Inventors: **Ehab N. Kaoud**, Livonia, MI (US);
William K. Moore, West Bloomfield,
MI (US); **Joshua Henry**, Detroit, MI
(US)
(73) Assignee: **Ford Global Technologies, LLC**,
Dearborn, MI (US)
(**) Term: **15 Years**
(21) Appl. No.: **29/723,991**
(22) Filed: **Feb. 12, 2020**
(51) **LOC (13) Cl.** **26-05**
(52) **U.S. Cl.**
USPC **D26/28**
(58) **Field of Classification Search**
USPC D26/28, 29, 30, 31, 32, 33, 34, 35, 36,
D26/44
CPC F21S 48/00; F21S 48/10; F21S 48/115;
F21S 48/225; F21S 48/1233; F21S
48/1266; F21S 48/1388; F21S 48/2268;
F21V 21/04; F21W 2103/35; F21W 3/40;
F21W 2102/17; F21W 2102/30; F21W
2103/00; F21W 2103/55; F21W 2104/00;
F21W 2107/17; F21W 2107/13
See application file for complete search history.

(56) **References Cited**
U.S. PATENT DOCUMENTS
D535,045 S 1/2007 Schiavone
D547,472 S 7/2007 Tant
D563,575 S * 3/2008 Gresens D26/28
D604,874 S 11/2009 Golden
D708,365 S 7/2014 Platto
D750,815 S 3/2016 Platto

D750,816 S 3/2016 Platto
D792,619 S * 7/2017 Wu D26/28
D806,289 S 12/2017 Platto
D806,290 S 12/2017 Platto
D842,503 S * 3/2019 Yang D26/28
D843,621 S * 3/2019 Yang D26/28
D883,526 S * 5/2020 Lin D26/28
D890,382 S * 7/2020 Wu D26/28
D893,066 S * 8/2020 Lin D26/28
D900,359 S * 10/2020 He D26/28
D902,453 S * 11/2020 Carbis D26/28
D903,156 S * 11/2020 Platto D26/28

(Continued)

OTHER PUBLICATIONS

Andrew Wendler, The 2021 Ford F-150, Spied Testing, Looks Pretty Evolutionary, May 8, 2019 <https://www.caranddriver.com/news/a27409108/2021-ford-f-150-pickup-spied/>.

Primary Examiner — Angela J Lee
(74) *Attorney, Agent, or Firm* — Michael Spenner

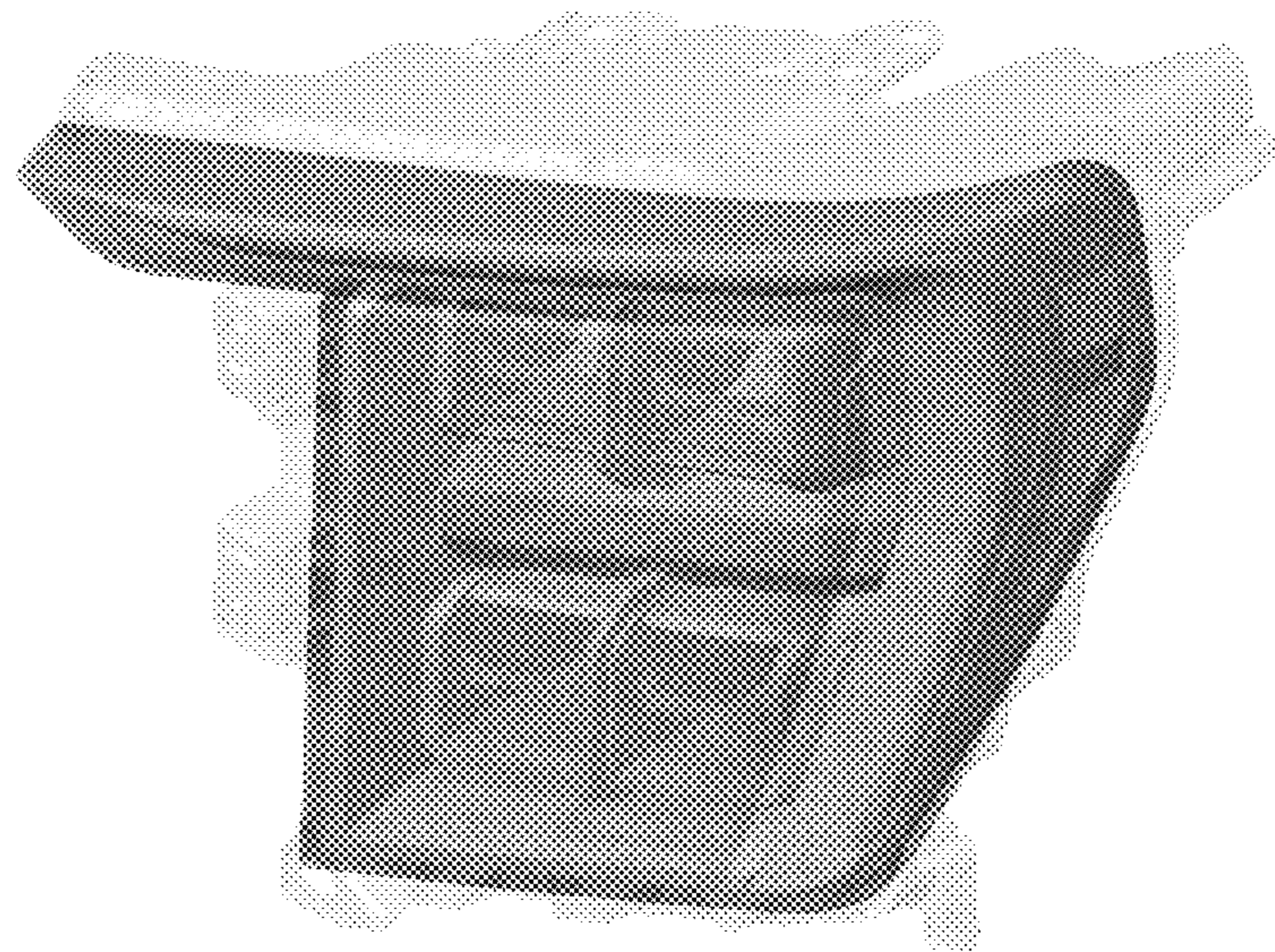
(57) **CLAIM**

The ornamental design for a vehicle headlight, as shown and described.

DESCRIPTION

FIG. 1 is a front elevational view of a vehicle headlight, showing our new design;
FIG. 2 is a left side elevational view thereof;
FIG. 3 is a right side elevational view thereof;
FIG. 4 is a top plan view thereof;
FIG. 5 is a bottom plan view thereof;
FIG. 6 is a top, front and left side perspective view thereof; and,
FIG. 7 is a bottom, front and left side perspective view thereof.
The claimed design is indicated by the relatively dark portions in the figures. The de-emphasized and relatively light portions form no part of the claimed design.

1 Claim, 7 Drawing Sheets



(56)

References Cited

U.S. PATENT DOCUMENTS

D905,301 S * 12/2020 Wu D26/28
D906,555 S * 12/2020 Wu D26/28

* cited by examiner

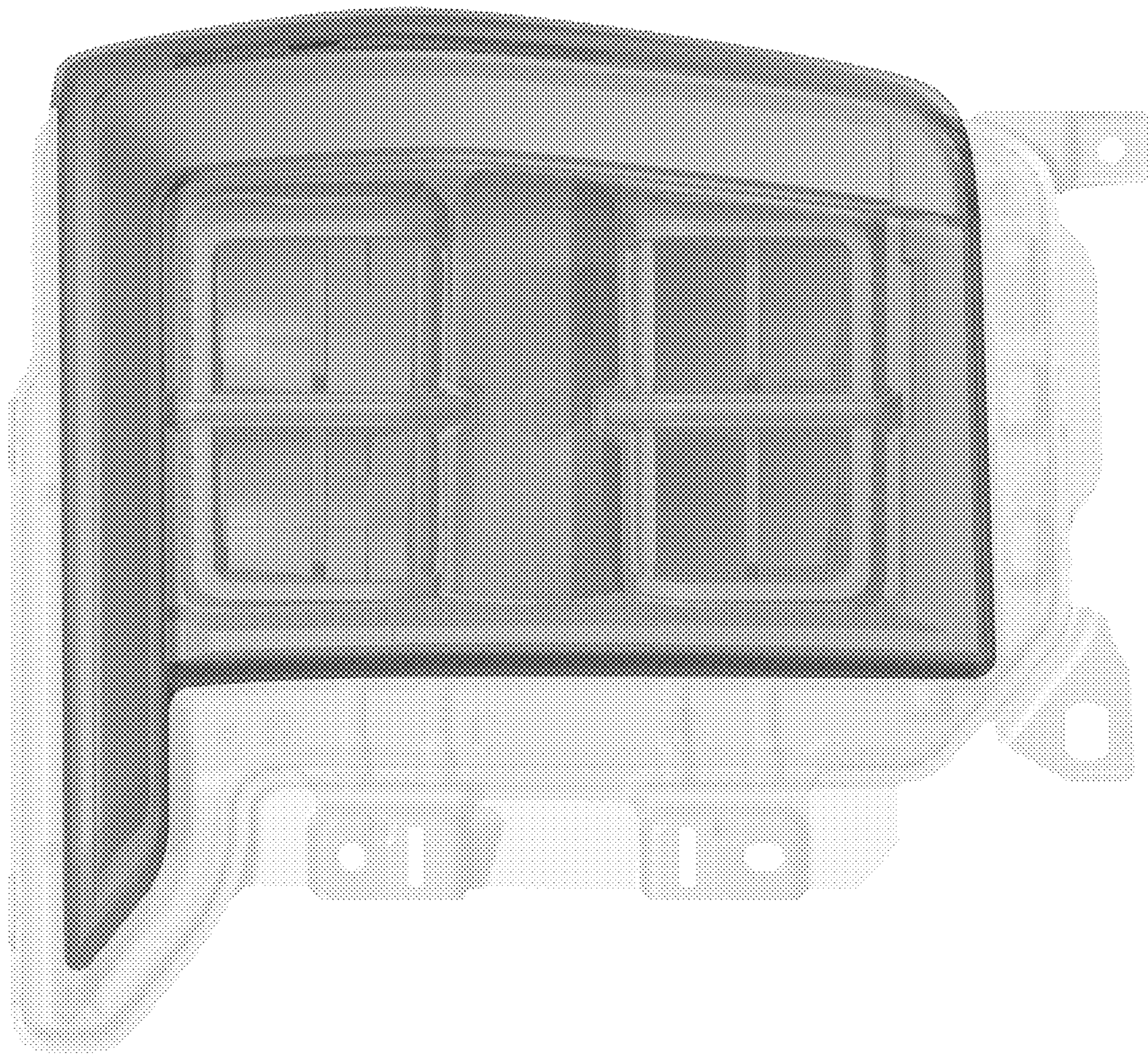


Fig. 1

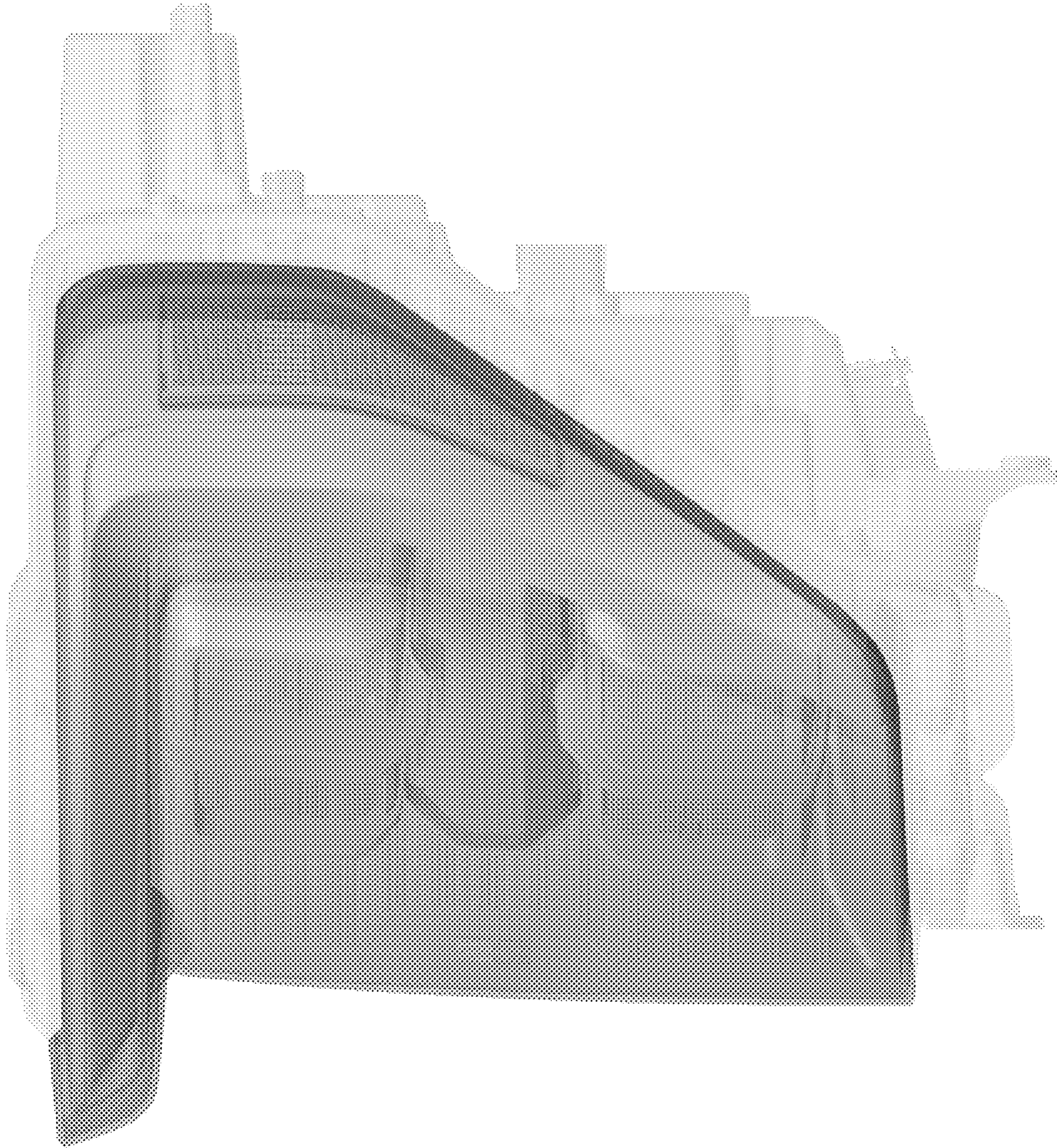


Fig.2

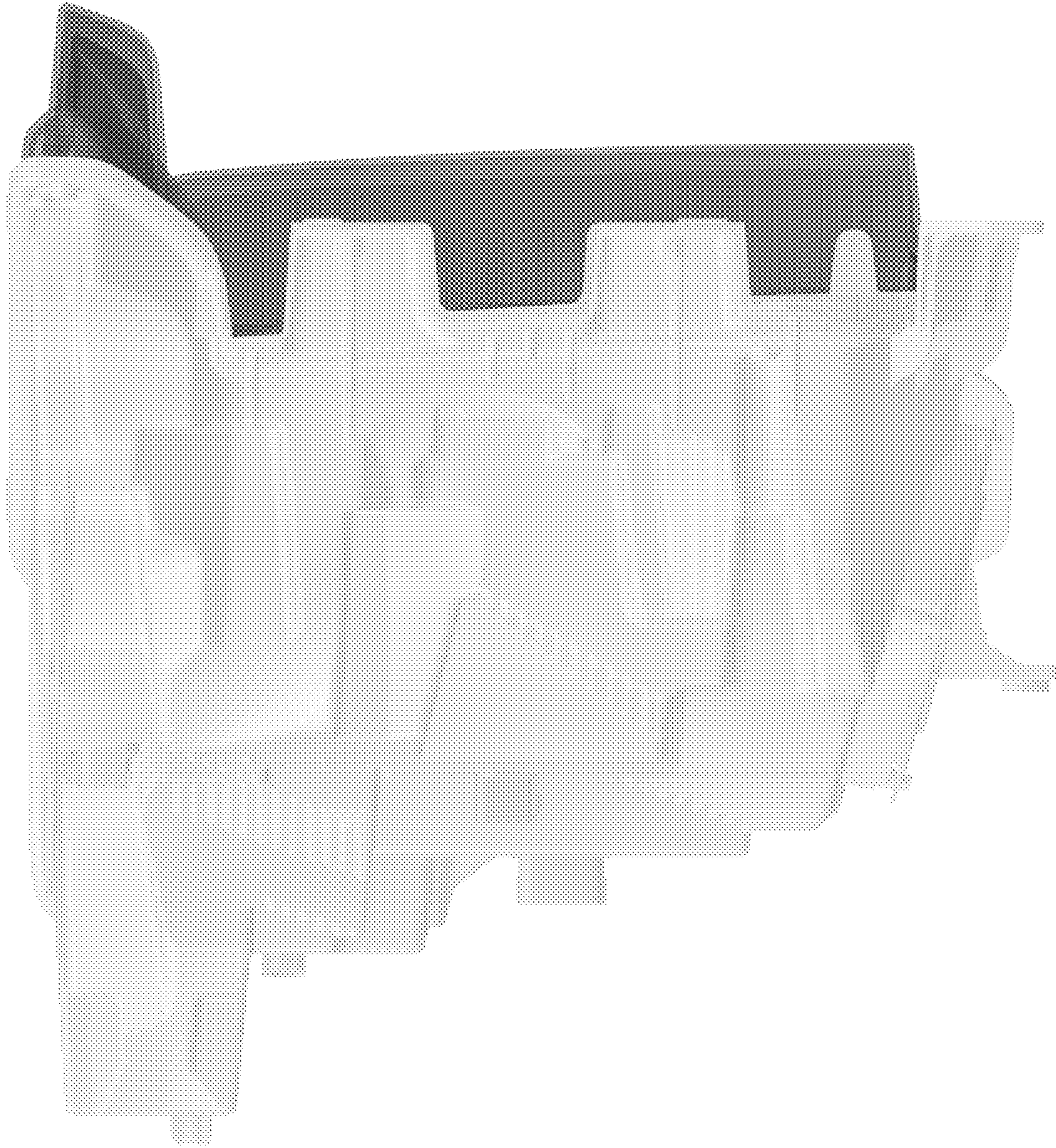


Fig. 3

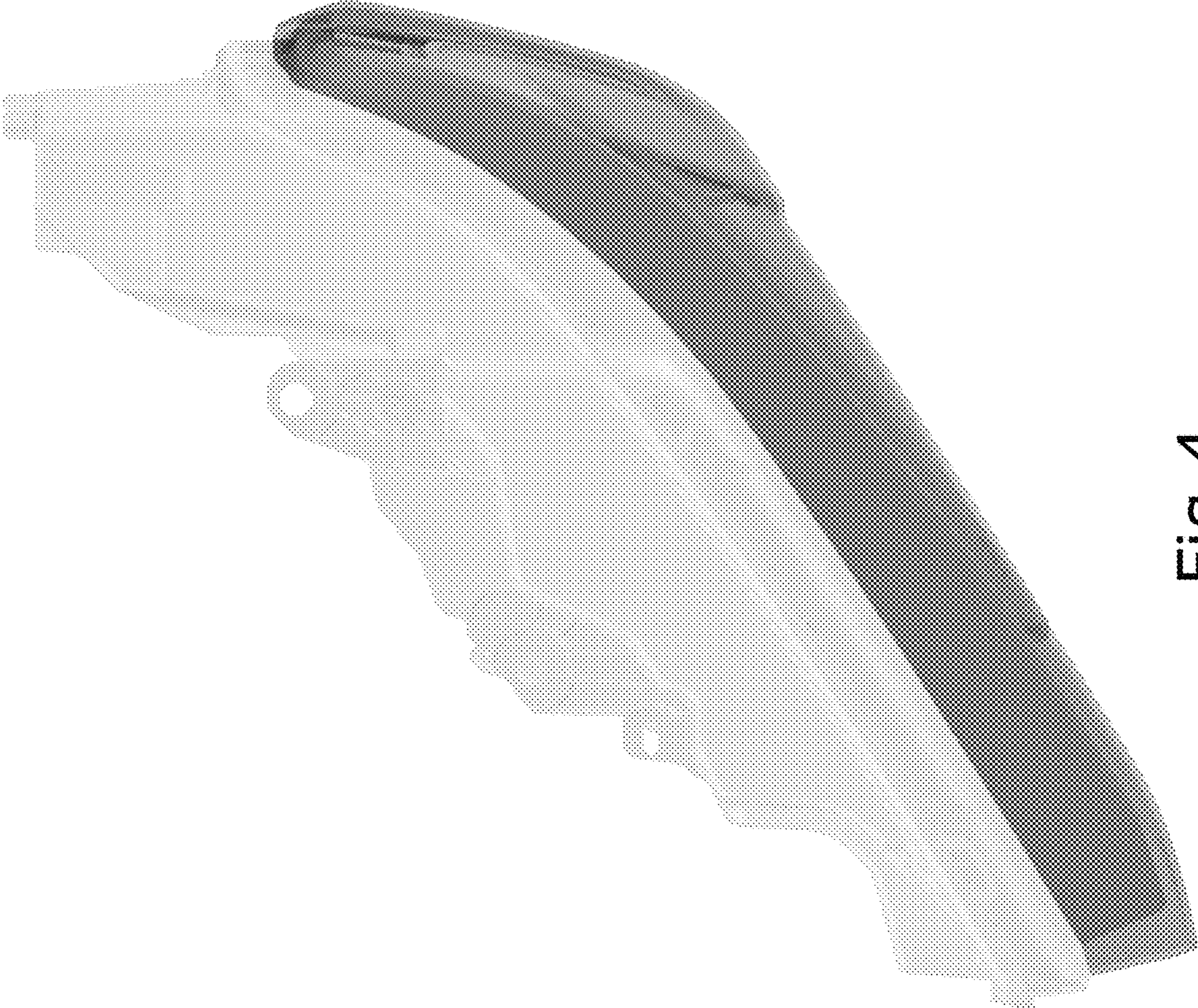


Fig.4

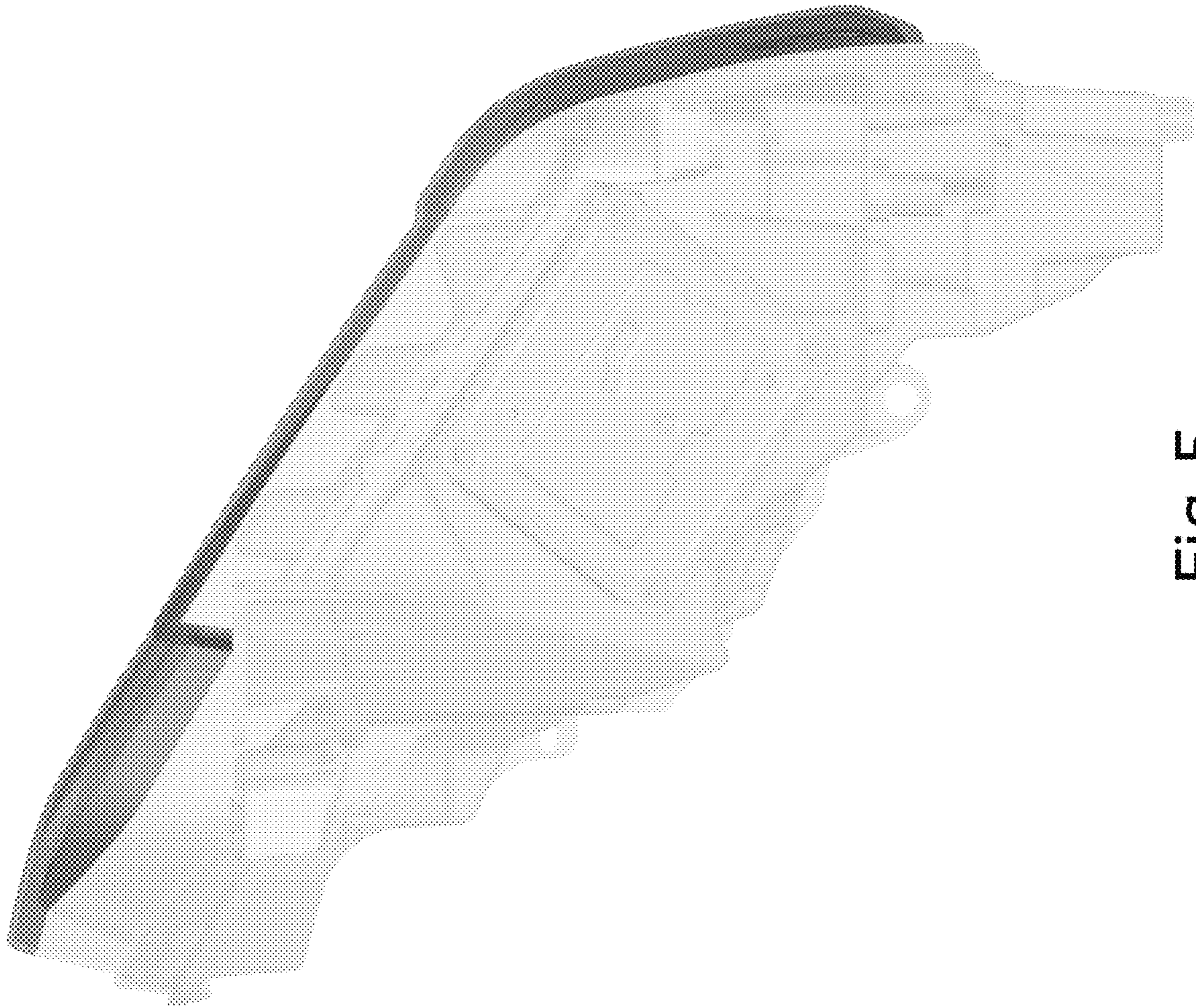


Fig. 5

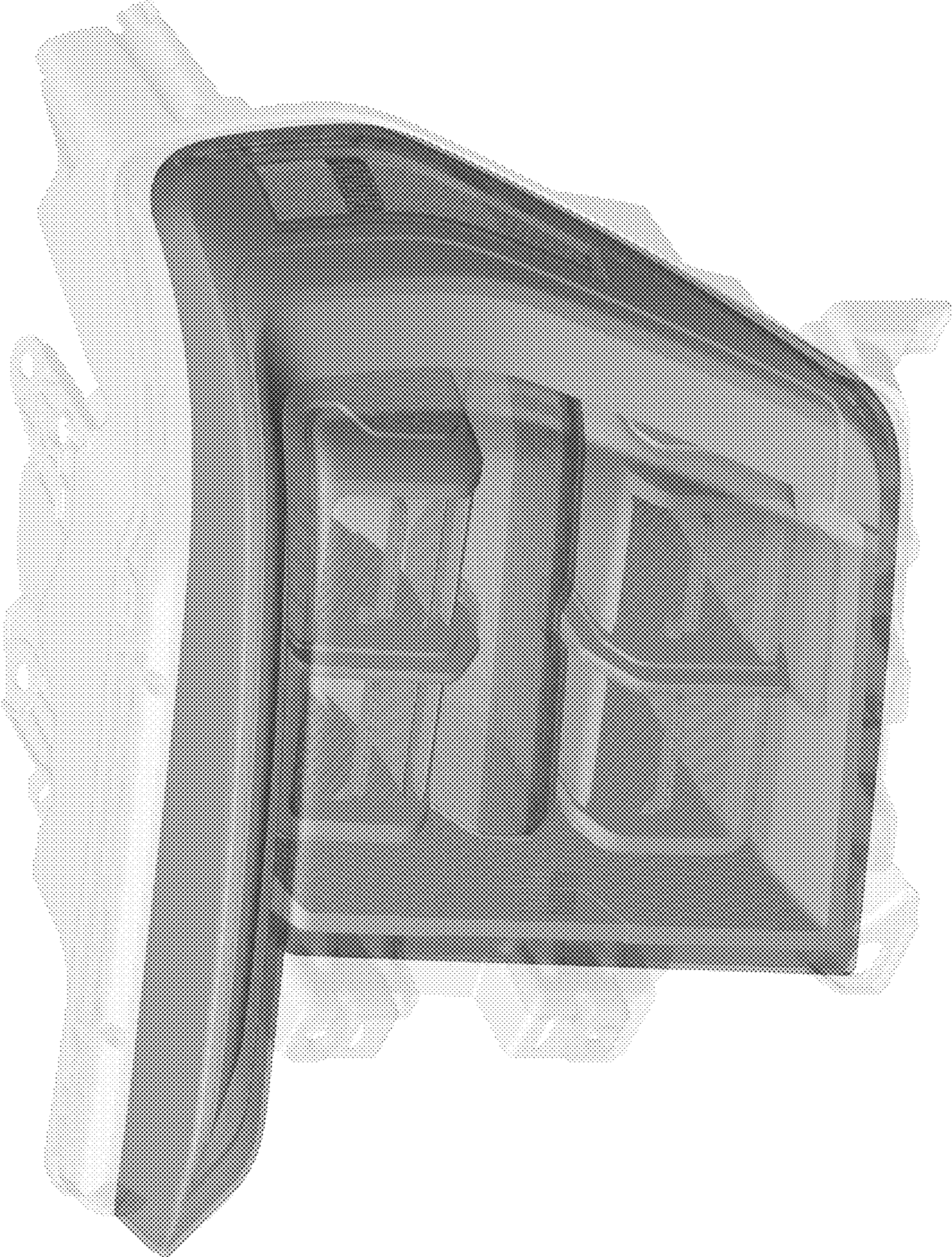


Fig.6

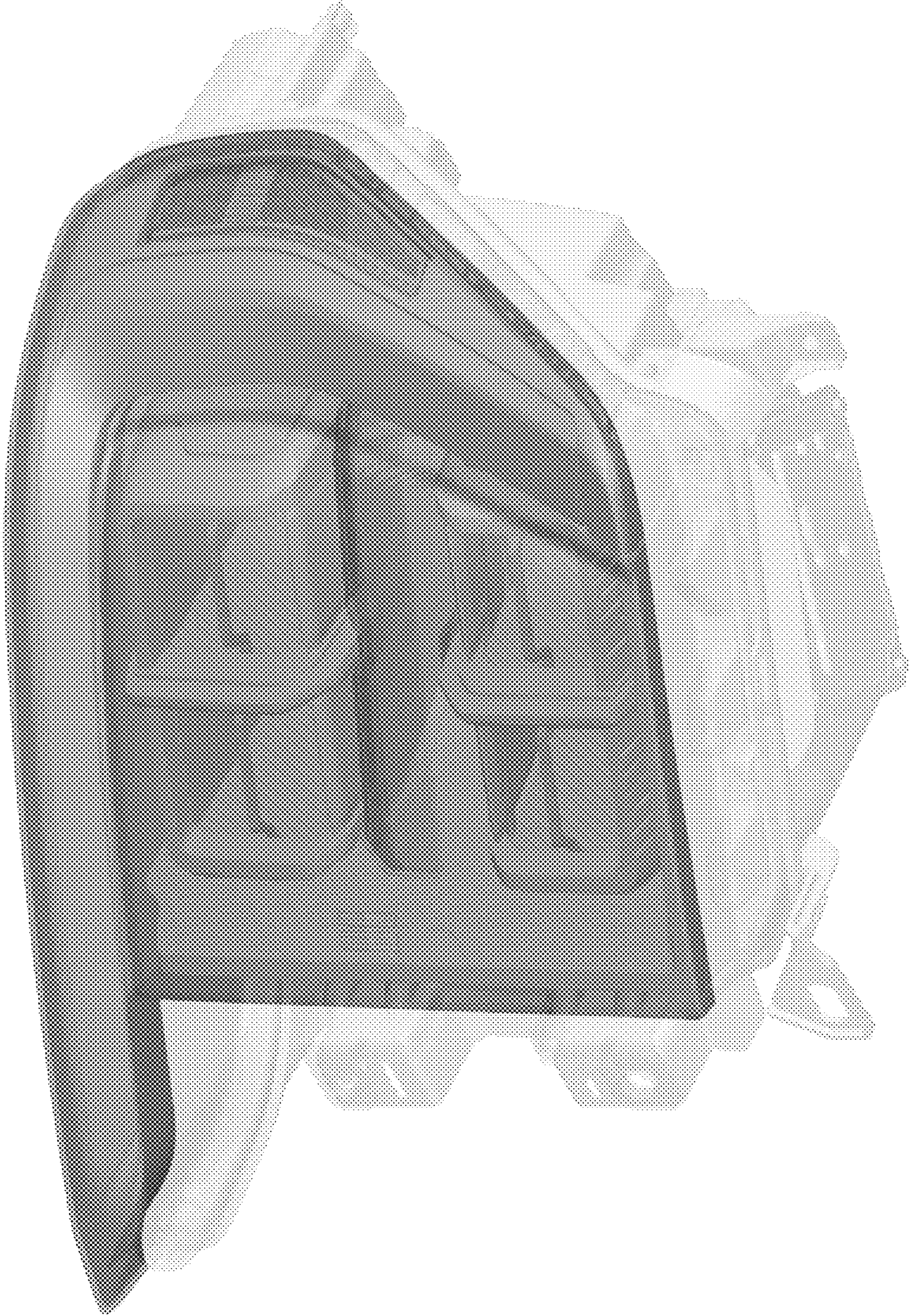


Fig.7