



US00D919847S

(12) **United States Design Patent**  
**Piaskowski et al.**

(10) **Patent No.:** **US D919,847 S**

(45) **Date of Patent:** **\*\* May 18, 2021**

(54) **VEHICLE TAIL LAMP**

D716,478 S \* 10/2014 Loeb ..... D26/28  
D728,137 S \* 4/2015 Ha ..... D26/28  
D731,686 S 6/2015 Mays et al.

(71) Applicant: **Ford Global Technologies, LLC,**  
Dearborn, MI (US)

(72) Inventors: **Joel Piaskowski,** Birmingham, MI (US); **Gordon M. Platto,** Troy, MI (US); **Dean Carbis,** Bloomfield Hills, MI (US); **Robert T. Laster,** Wixom, MI (US); **Mark Kaski,** Royal Oak, MI (US)

(73) Assignee: **Ford Global Technologies, LLC,**  
Dearborn, MI (US)

(\*\*) Term: **15 Years**

(21) Appl. No.: **29/708,868**

(22) Filed: **Oct. 10, 2019**

(51) **LOC (13) Cl.** ..... **26-06**

(52) **U.S. Cl.**  
USPC ..... **D26/28**

(58) **Field of Classification Search**  
USPC ..... D26/28-36, 139  
CPC ..... F21S 48/00; F21S 48/10; F21S 48/115;  
F21S 48/225; F21S 48/1233; F21S 48/1266; F21S 48/1388; F21S 48/2268;  
F21V 5/00; B60Q 9/13; B60Q 9/135;  
B60Q 9/1375; F21K 9/00; F21K 13/00  
See application file for complete search history.

(56) **References Cited**

**U.S. PATENT DOCUMENTS**

D591,437 S 4/2009 Saridakis et al.  
D610,282 S 2/2010 Saridakis et al.  
D655,429 S \* 3/2012 Fushimi ..... D26/28  
D657,482 S \* 4/2012 Kong ..... D26/28  
D681,853 S 5/2013 Behmer et al.  
D692,599 S \* 10/2013 Kim ..... D26/28  
D701,631 S \* 3/2014 Goto ..... D26/28

**OTHER PUBLICATIONS**

Meghan Drummond, 2020 Mustang Hybrid, <https://www.cjponyparts.com/resources/2020-mustang-hybrid> Sep. 13, 2019.  
Andrew Krok, Ford's 'Mustang-inspired' electric SUV: Everything we know, <https://www.cnet.com/roadshow/news/ford-mustang-inspired-electric-sub-details-rumors> Oct. 2, 2019.  
Ford News Clips—Briefing, Ford's EV Strategy takes Shape in Search for Popularity and Profit, Sep. 3, 2019.

\* cited by examiner

*Primary Examiner* — Marcus A Jackson

(74) *Attorney, Agent, or Firm* — Michael Spenner

(57) **CLAIM**

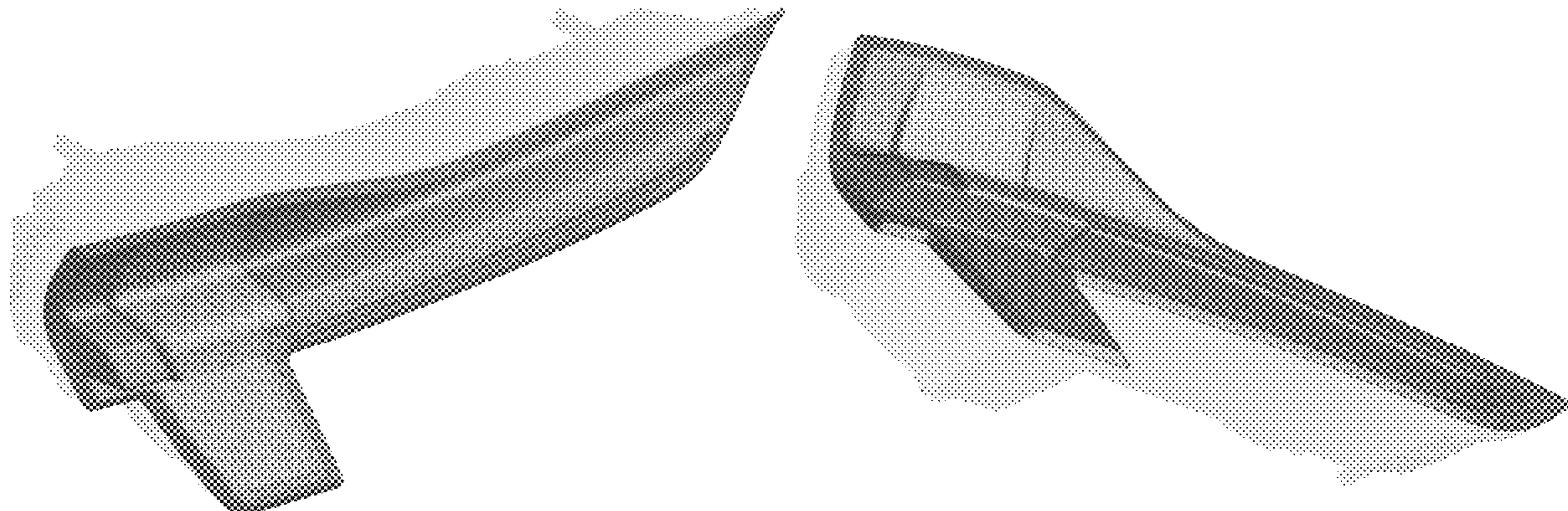
The ornamental design for a vehicle tail lamp, as shown and described.

**DESCRIPTION**

FIG. 1 is a front elevational view of a vehicle tail lamp, showing our new design;  
FIG. 2 is a left side elevational view thereof;  
FIG. 3 is a right side elevational view thereof;  
FIG. 4 is a top plan view thereof;  
FIG. 5 is a bottom plan view thereof;  
FIG. 6 is a top, front and left side perspective view thereof; and,  
FIG. 7 is a bottom, front and left side perspective view thereof.

The claimed design is indicated by the relatively dark portions in the figures. The de-emphasized and relatively light portions form no part of the claimed design.

**1 Claim, 7 Drawing Sheets**



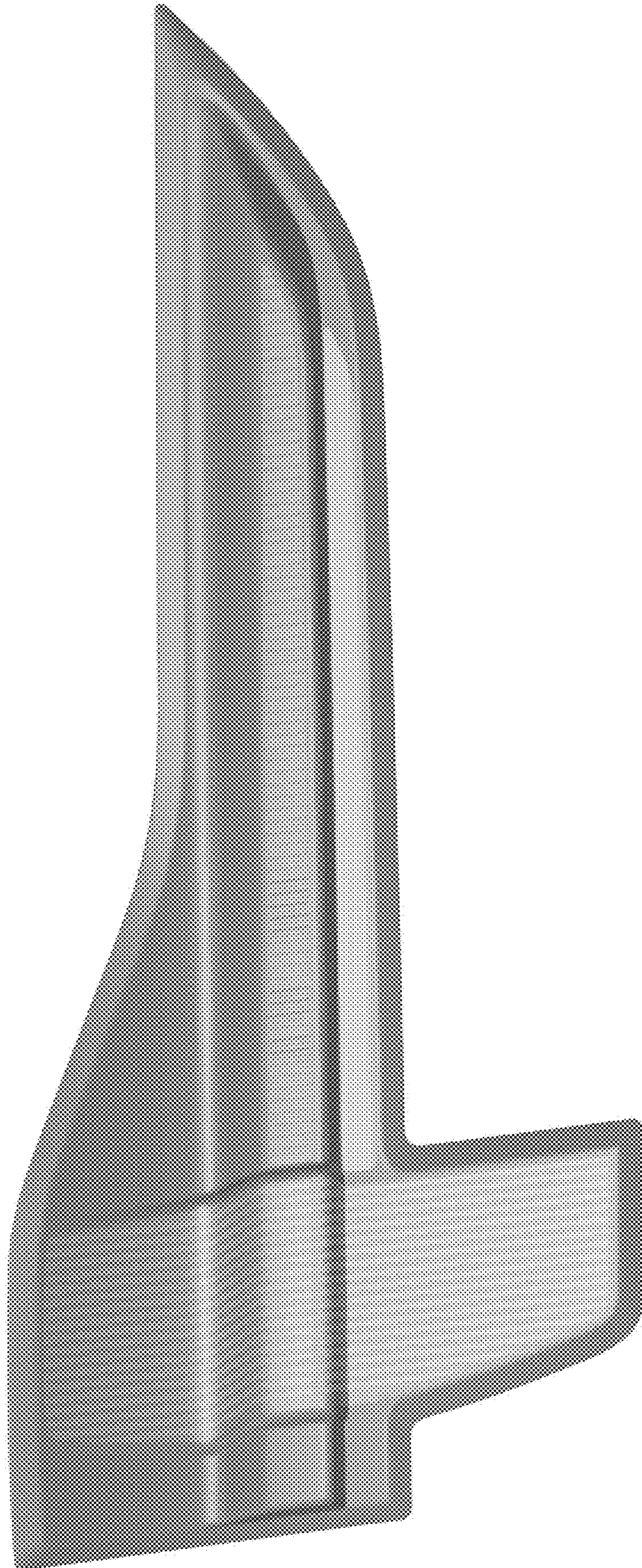


Fig.1

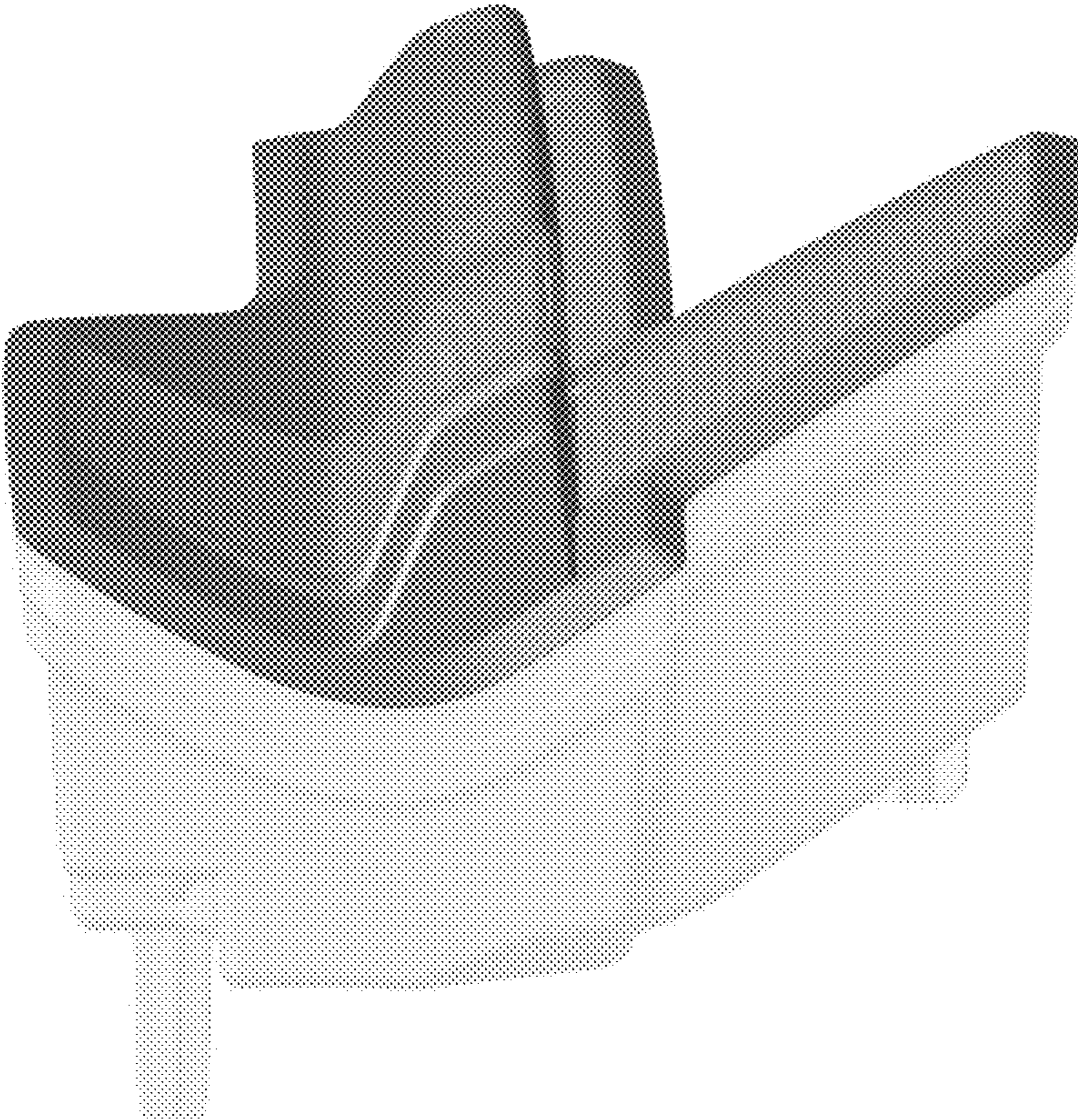


Fig.2

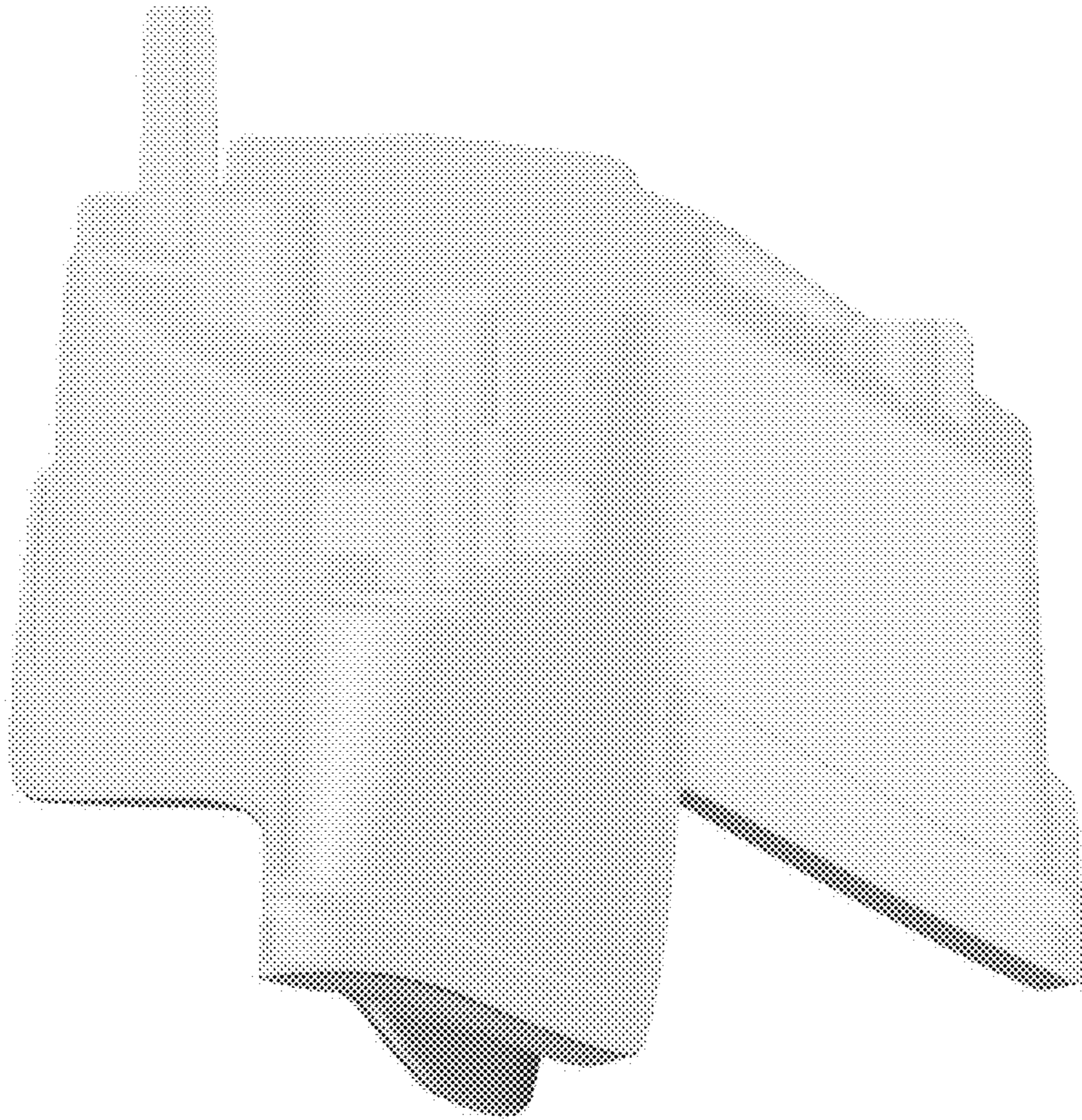


Fig. 3

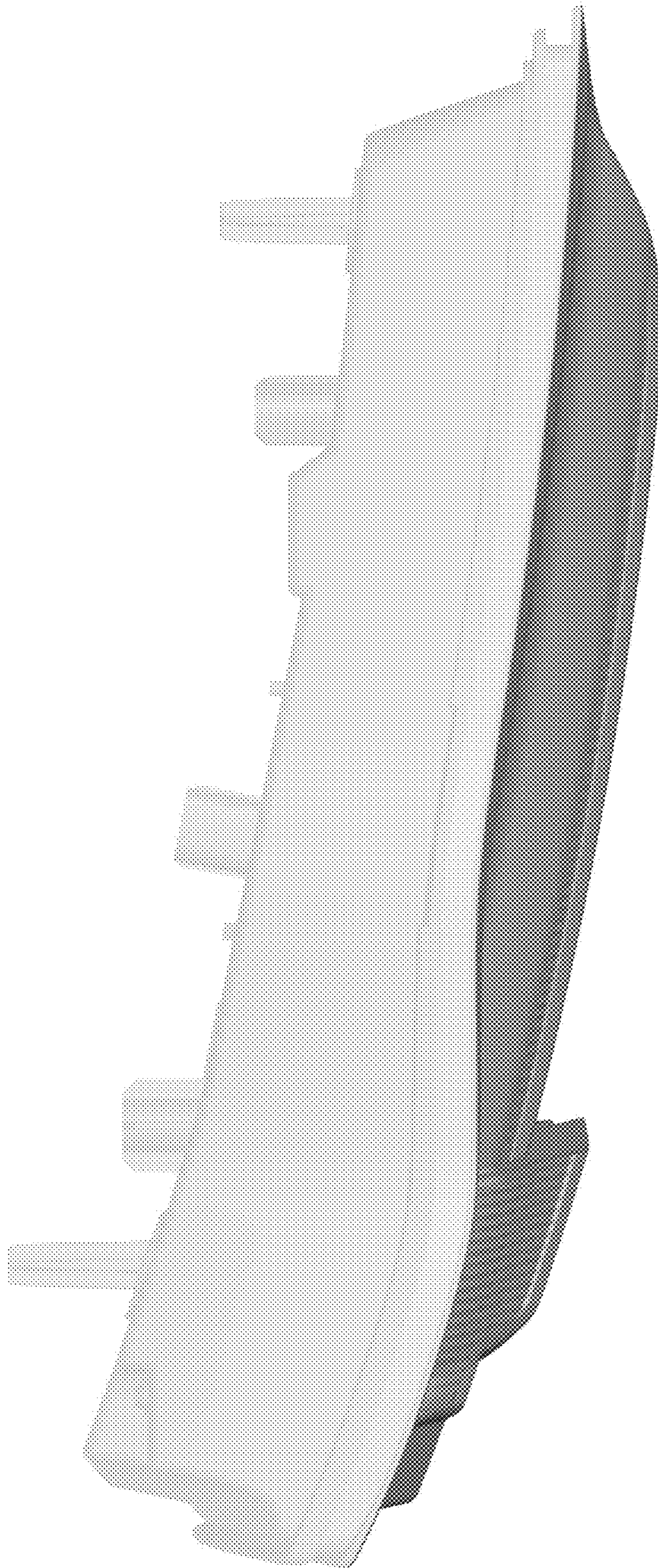
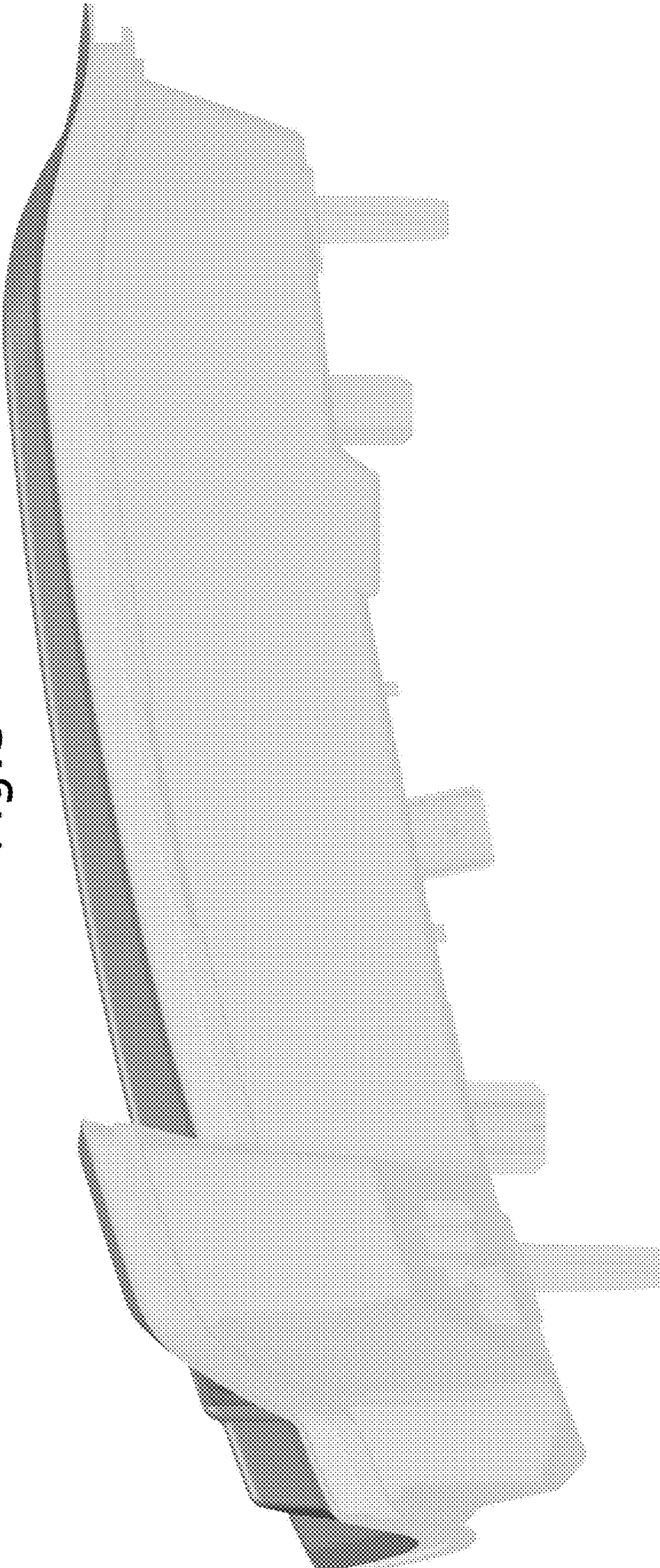


Fig.4

Fig. 5



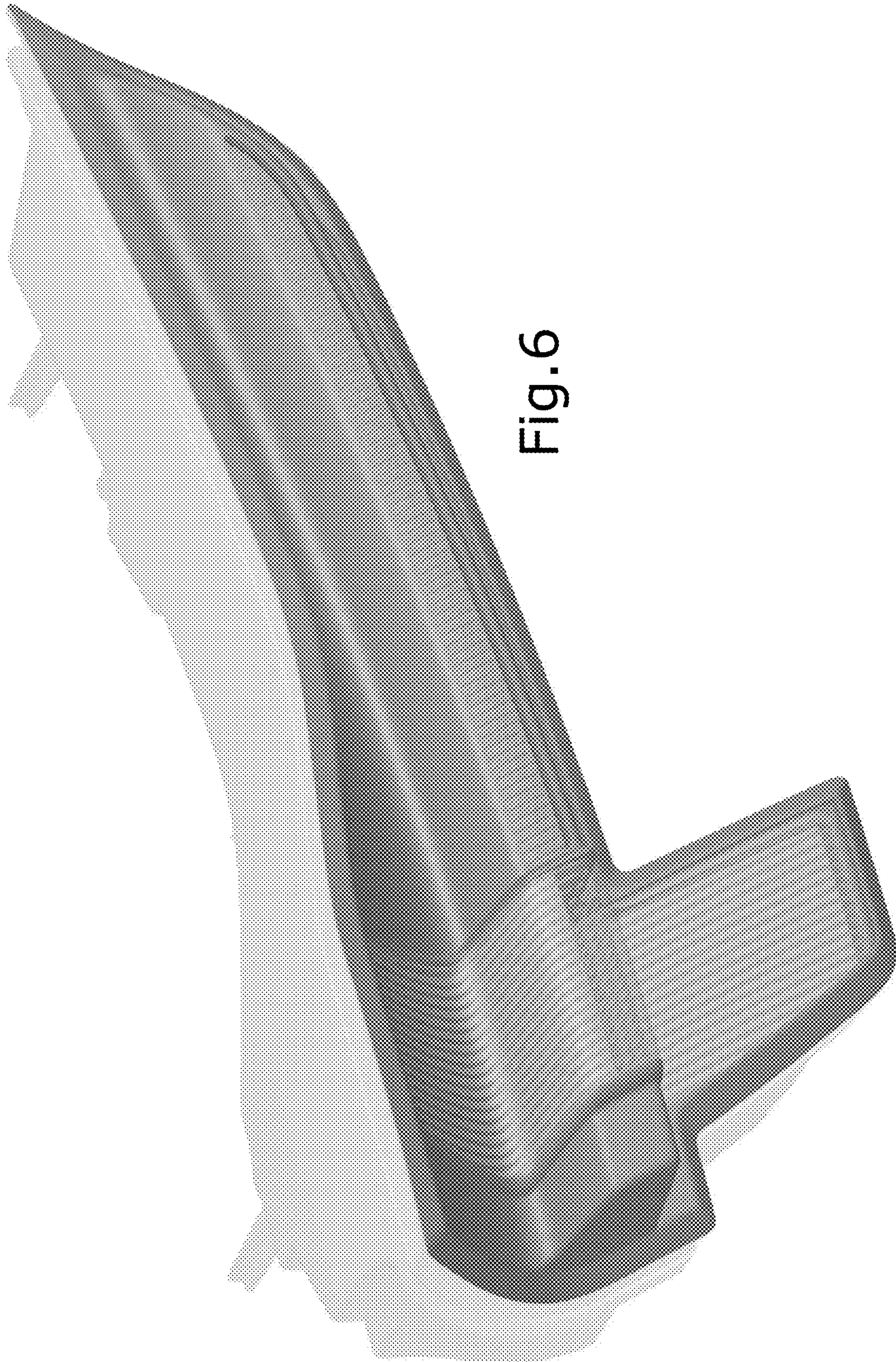


Fig. 6

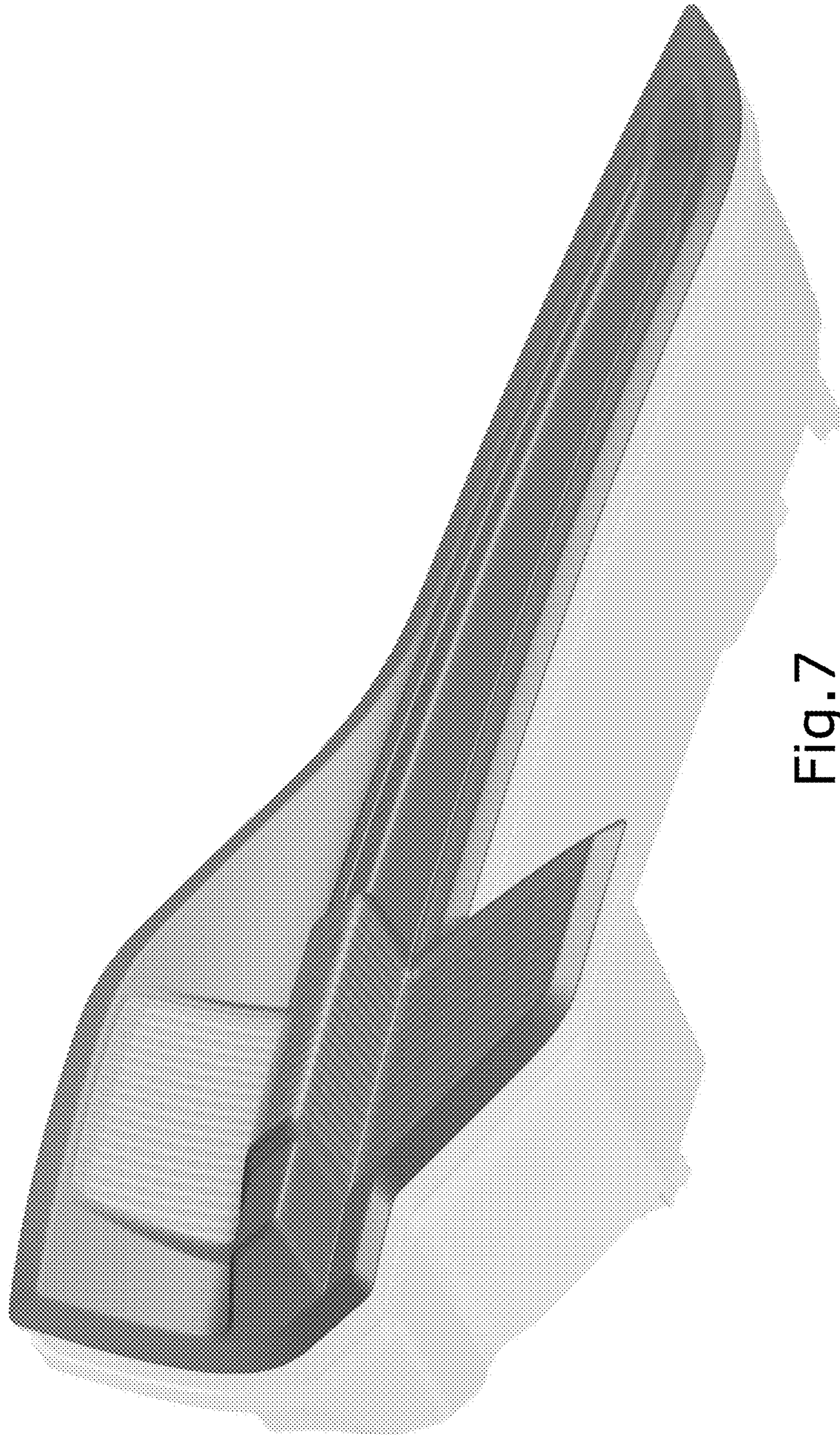


Fig. 7