



US00D919846S

(12) **United States Design Patent**
Piaskowski et al.

(10) **Patent No.:** **US D919,846 S**

(45) **Date of Patent:** **** May 18, 2021**

(54) **VEHICLE TAIL LAMP**

(71) Applicant: **Ford Global Technologies, LLC**,
Dearborn, MI (US)

(72) Inventors: **Joel Piaskowski**, Birmingham, MI
(US); **Gordon M. Platto**, Troy, MI
(US); **Dean Carbis**, Bloomfield Hills,
MI (US); **Robert T. Laster**, Wixom,
MI (US); **Mark Kaski**, Royal Oak, MI
(US)

(73) Assignee: **Ford Global Technologies, LLC**,
Dearborn, MI (US)

(**) Term: **15 Years**

(21) Appl. No.: **29/708,867**

(22) Filed: **Oct. 10, 2019**

(51) **LOC (13) Cl.** **26-06**

(52) **U.S. Cl.**
USPC **D26/28**

(58) **Field of Classification Search**
USPC D26/28–36, 139
CPC F21S 48/00; F21S 48/10; F21S 48/115;
F21S 48/225; F21S 48/1233; F21S
48/1266; F21S 48/1388; F21S 48/2268;
F21V 5/00; B60Q 9/13; B60Q 9/135;
B60Q 9/1375; F21K 9/00; F21K 13/00
See application file for complete search history.

(56) **References Cited**

U.S. PATENT DOCUMENTS

D591,437 S	4/2009	Saridakis et al.	
D610,282 S	2/2010	Saridakis et al.	
D679,429 S *	4/2013	Frenzel	D26/28
D681,853 S	5/2013	Behmer et al.	
D708,768 S *	7/2014	Futschik	D26/28
D709,213 S *	7/2014	Futschik	D26/28
D713,569 S *	9/2014	Badstuebner	D26/28
D720,870 S *	1/2015	Lim	D26/28

D722,188 S *	2/2015	Futschik	D26/28
D728,133 S *	4/2015	Bieling	D26/28
D731,686 S	6/2015	Mays et al.	
D761,463 S *	7/2016	Lai	D26/28
D769,485 S *	10/2016	Morikawa	D26/28
D792,621 S *	7/2017	Komuro	D26/28

OTHER PUBLICATIONS

Meghan Drummond, 2020 Mustang Hybrid, <https://www.cjponyparts.com/resources/2020-mustang-hybrid> Sep. 13, 2019.
Andrew Krok, Ford's 'Mustang-inspired' electric SUV: Everything we know, <https://www.cnet.com/roadshow/news/ford-mustang-inspired-electric-sub-details-rumors> Oct. 2, 2019.
Ford News Clips—Briefing, Ford's EV Strategy takes Shape in Search for Popularity and Profit, Sep. 3, 2019.

* cited by examiner

Primary Examiner — Marcus A Jackson

(74) *Attorney, Agent, or Firm* — Michael Spenner

(57) **CLAIM**

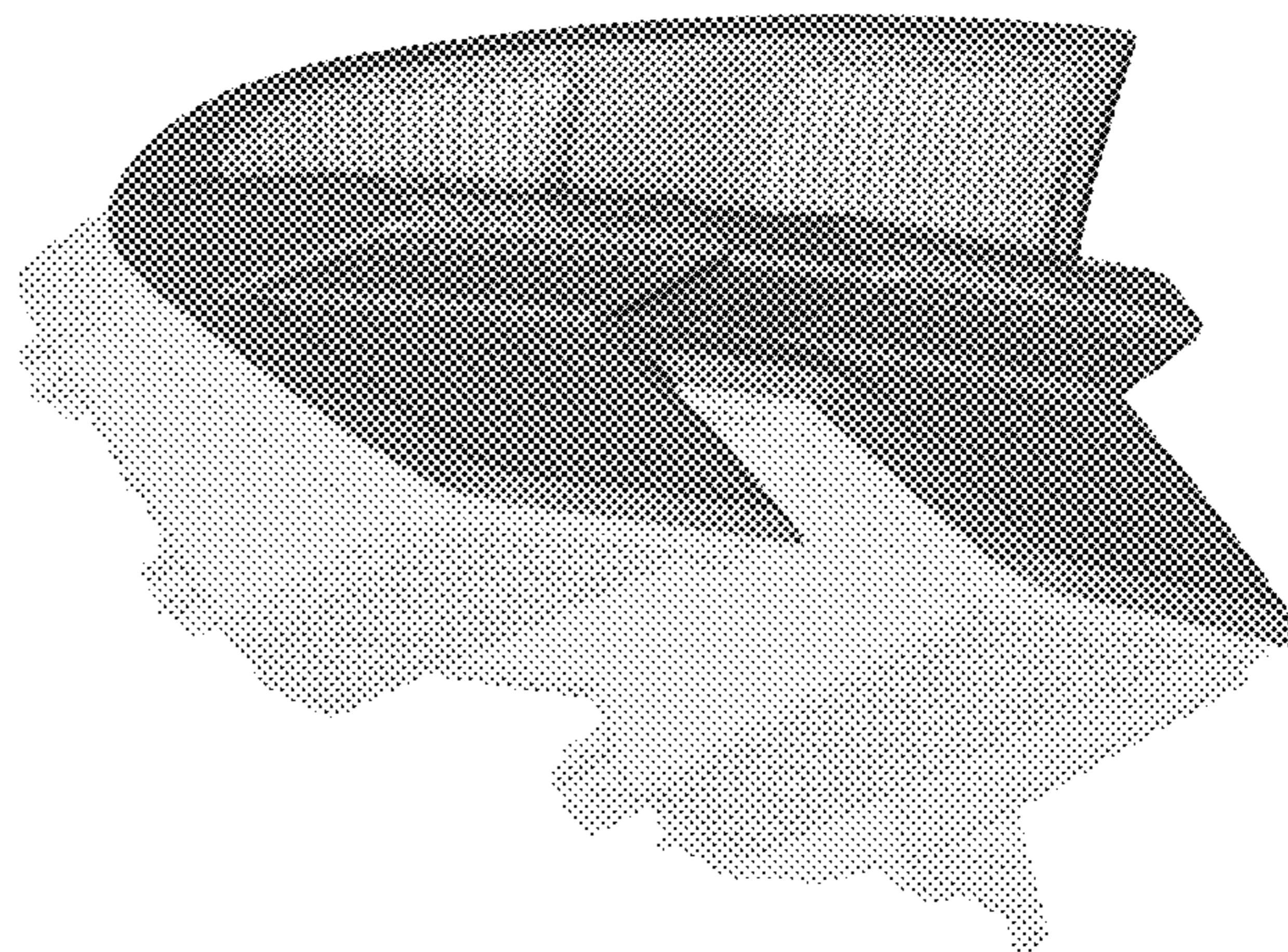
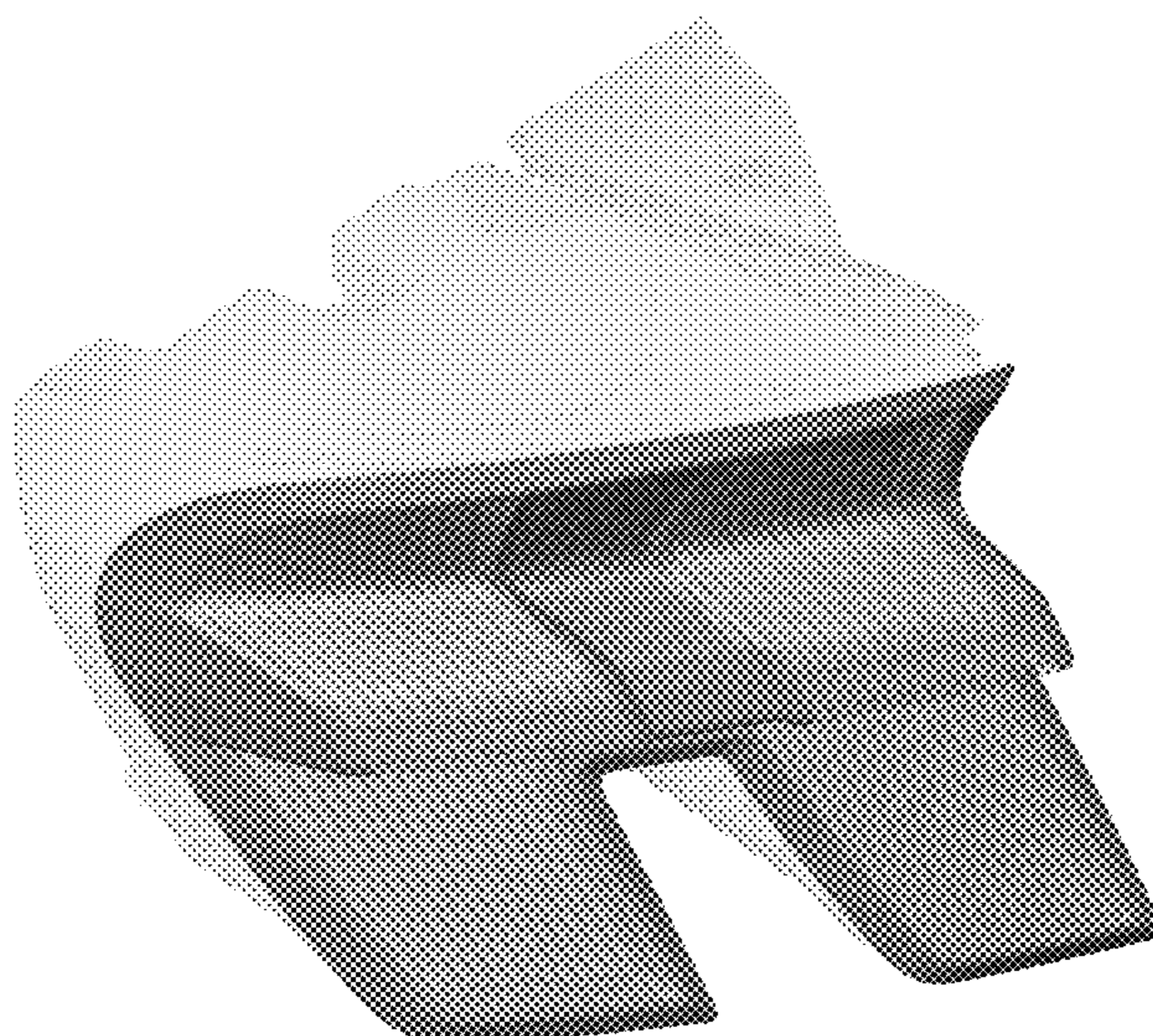
The ornamental design for a vehicle tail lamp, as shown and described.

DESCRIPTION

FIG. 1 is a front elevational view of a vehicle tail lamp, showing our new design;
FIG. 2 is a left side elevational view thereof;
FIG. 3 is a right side elevational view thereof;
FIG. 4 is a top plan view thereof;
FIG. 5 is a bottom plan view thereof;
FIG. 6 is a top, front and left side perspective view thereof; and,
FIG. 7 is a bottom, front and left side perspective view thereof.

The claimed design is indicated by the relatively dark portions in the figures. The de-emphasized and relatively light portions form no part of the claimed design.

1 Claim, 7 Drawing Sheets



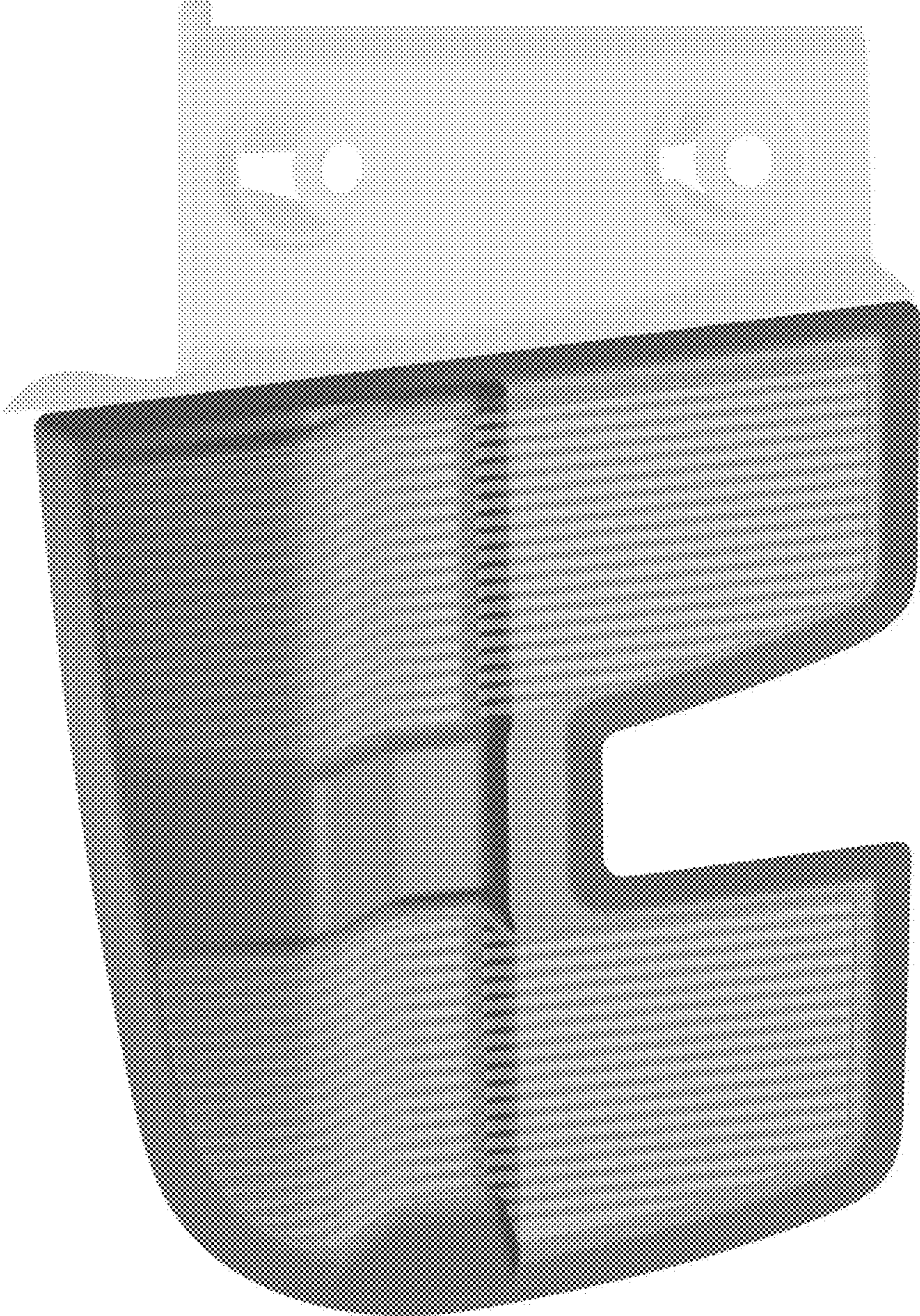


Fig.1

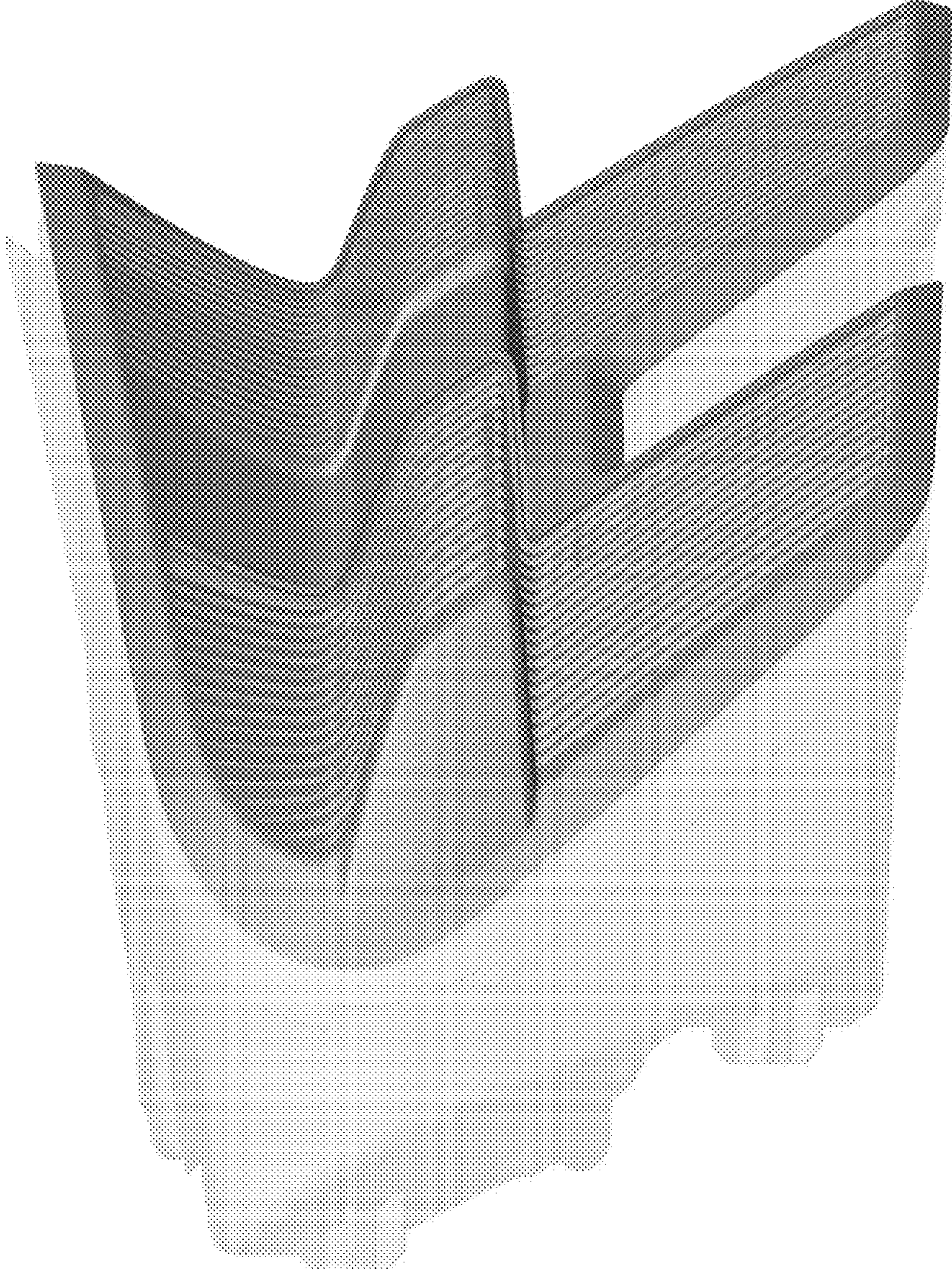


Fig.2

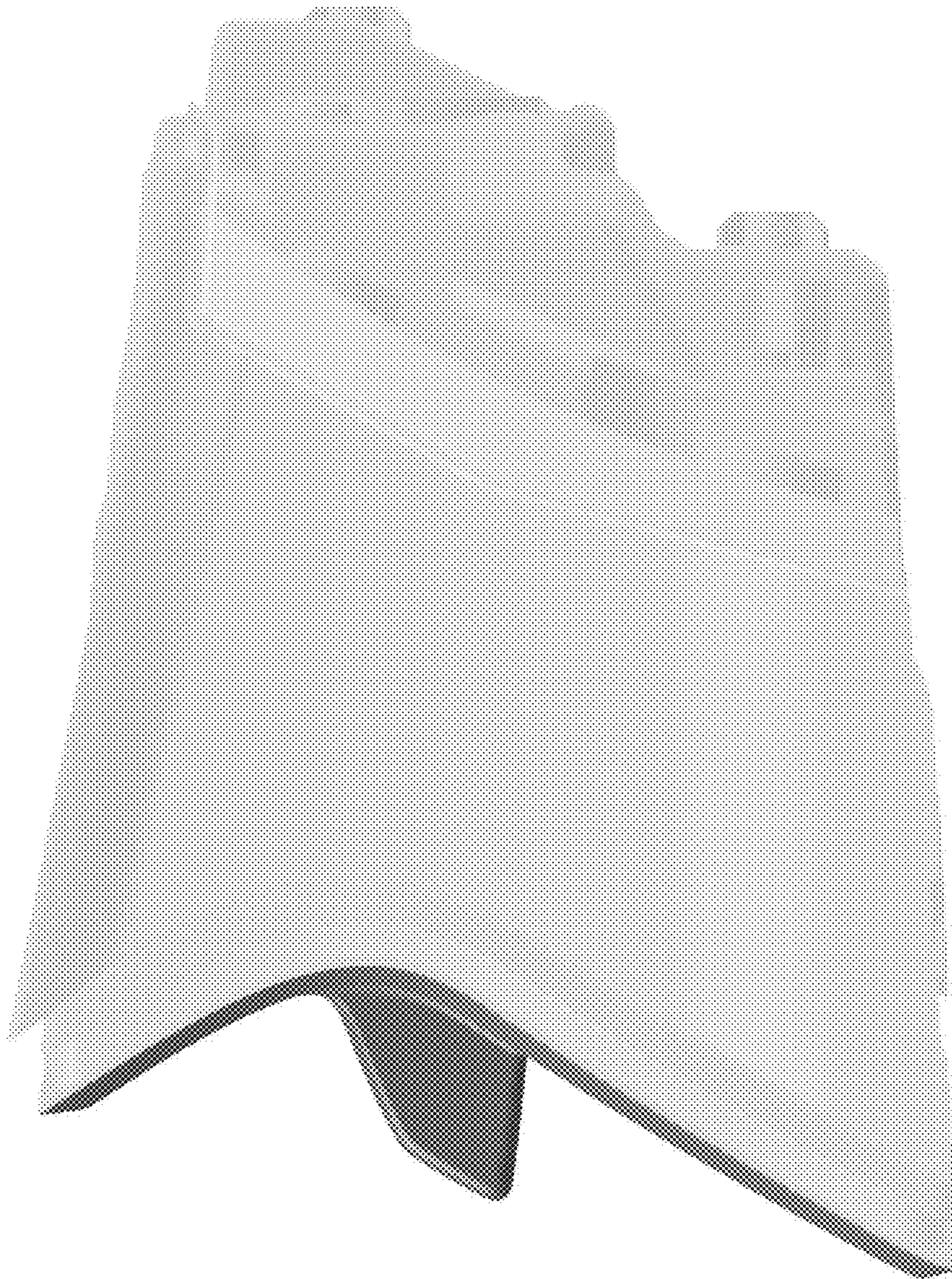


Fig. 3

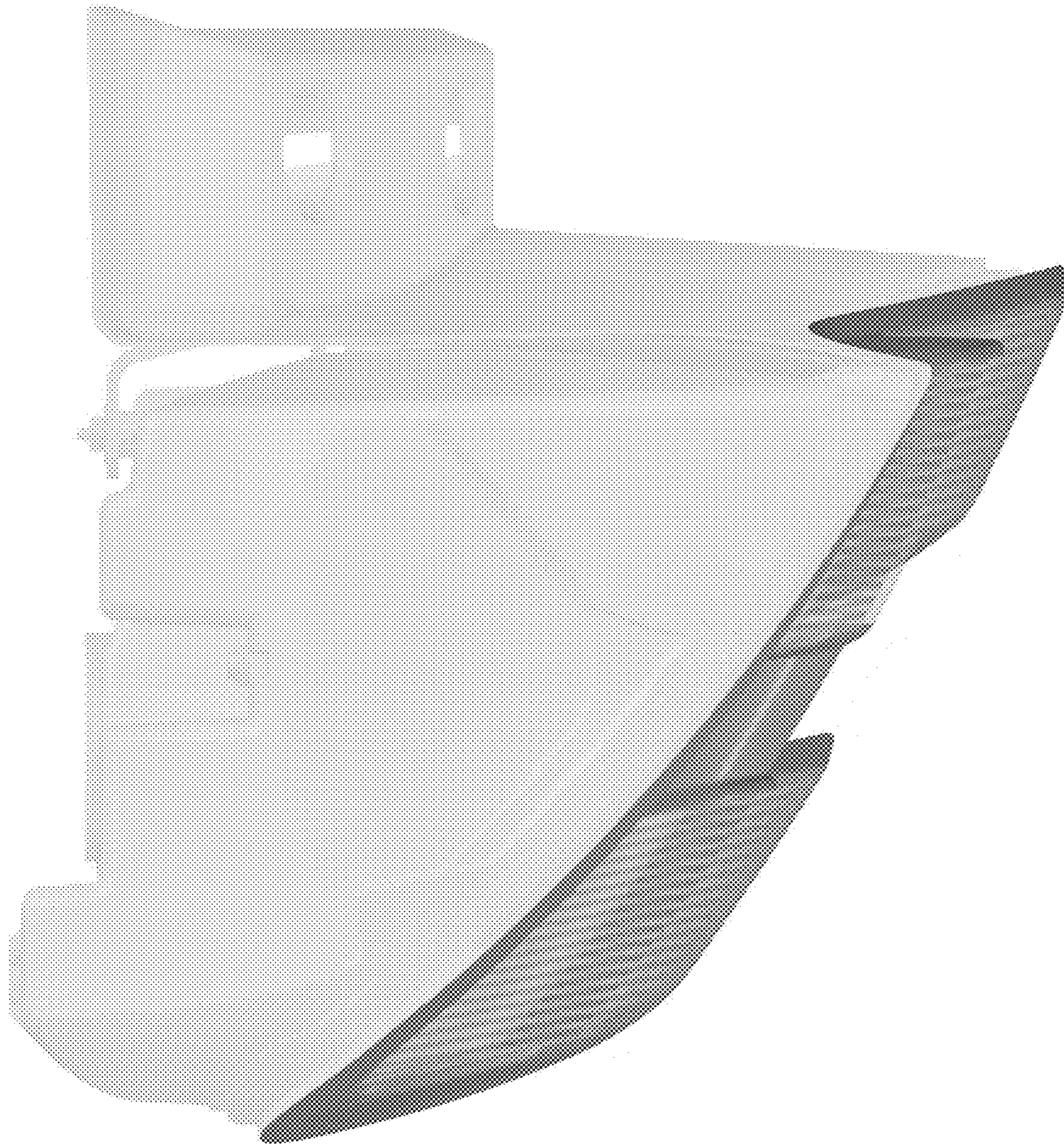


Fig.4

Fig. 5

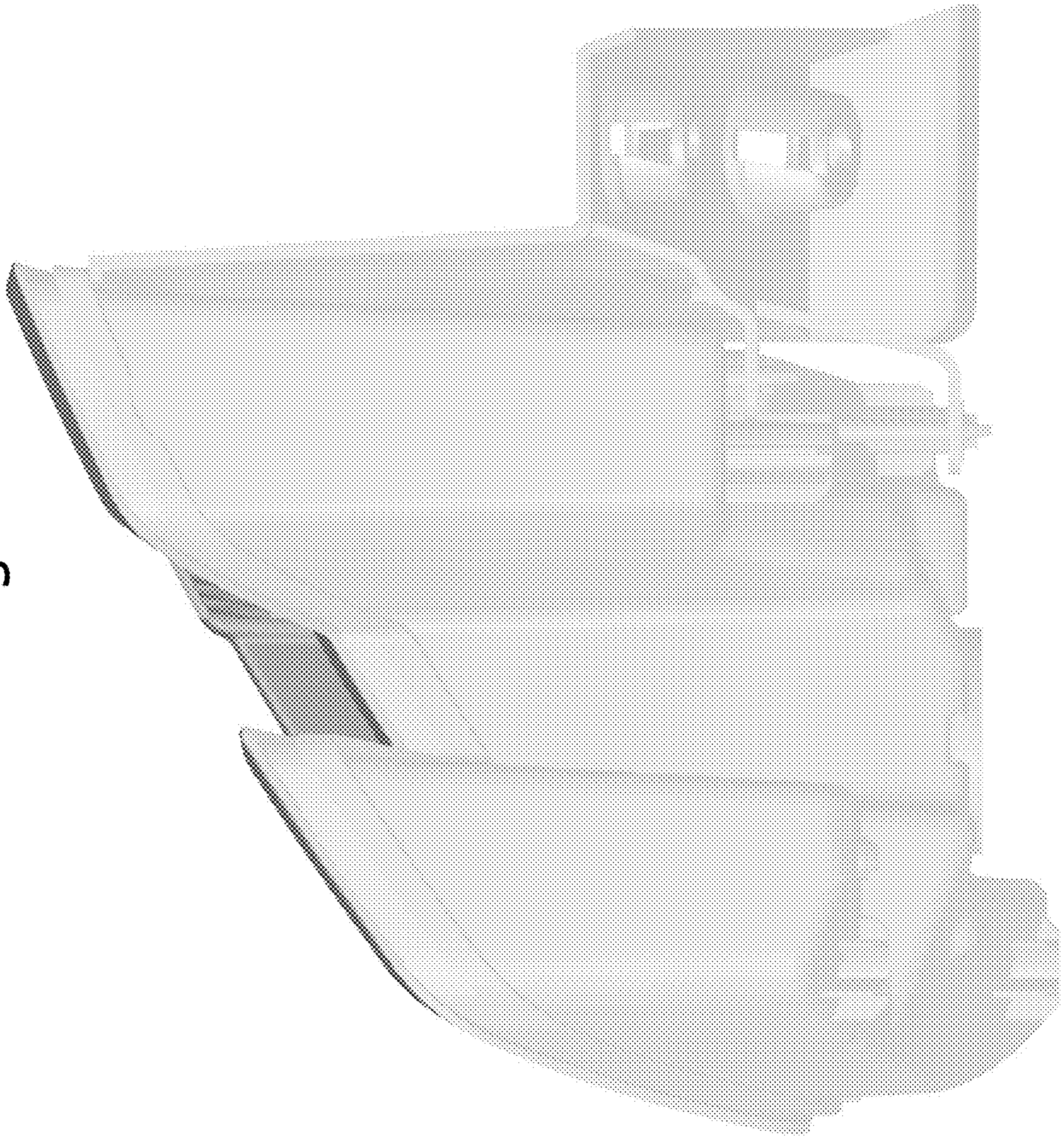


Fig. 6

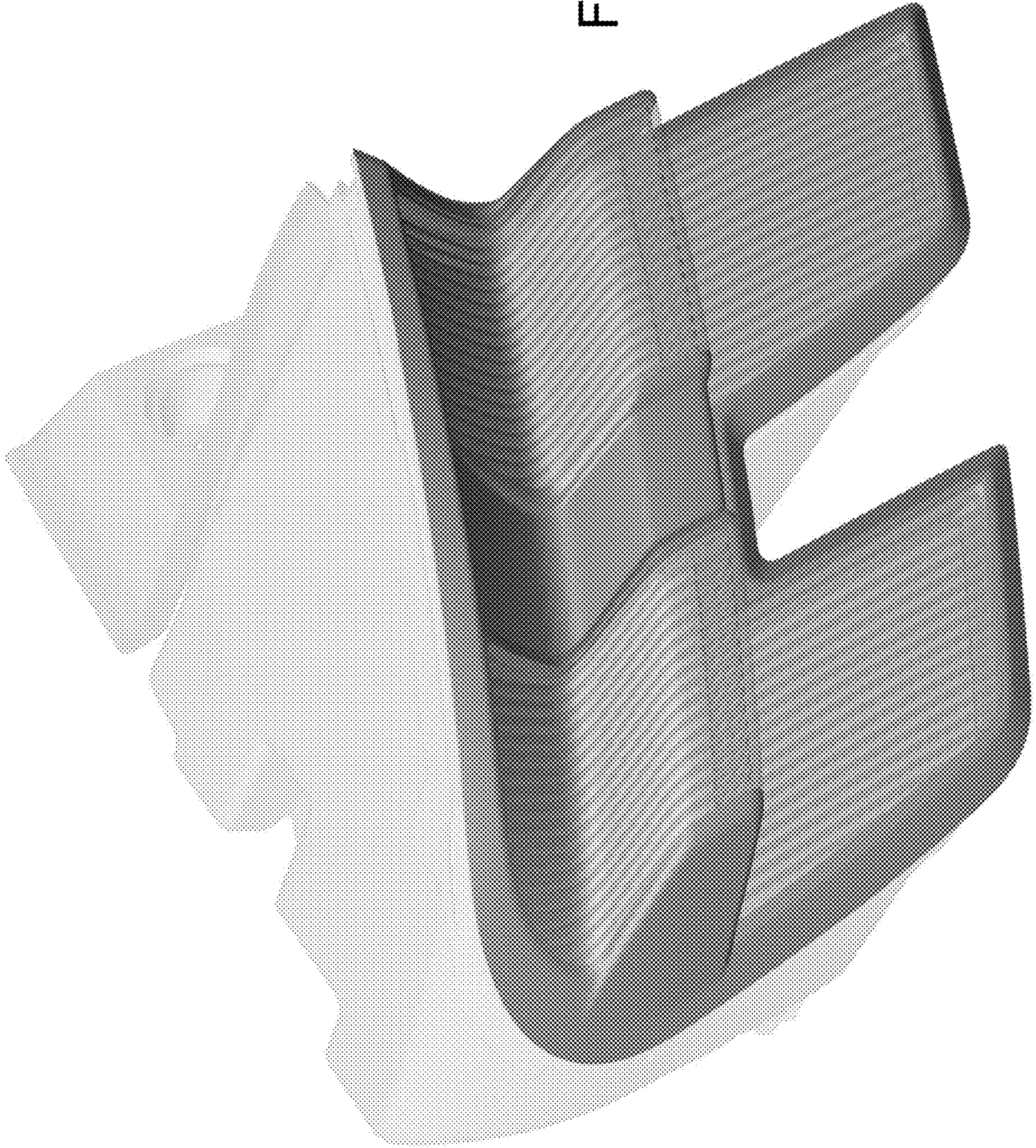


Fig. 7

