



US00D919844S

(12) **United States Design Patent** (10) **Patent No.:** **US D919,844 S**
Lai (45) **Date of Patent:** **** *May 18, 2021**

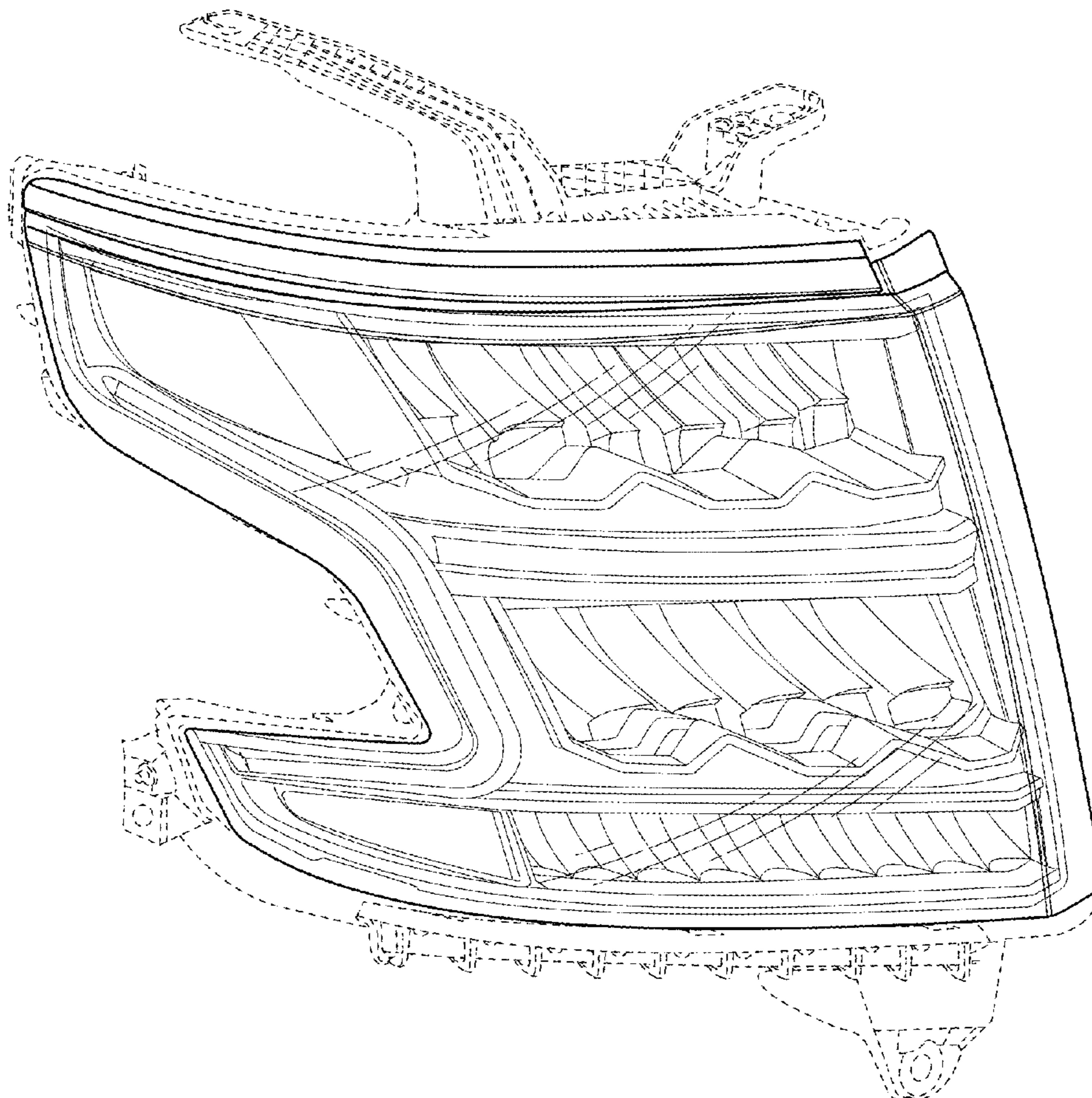
(54) **AUTOMOBILE HEADLIGHT**
(71) Applicant: **Ching-Tsung Lai**, Tainan (TW)
(72) Inventor: **Ching-Tsung Lai**, Tainan (TW)
(*) Notice: This patent is subject to a terminal disclaimer.
(**) Term: **15 Years**
(21) Appl. No.: **29/706,756**
(22) Filed: **Sep. 23, 2019**
(51) **LOC (13) Cl.** **26-06**
(52) **U.S. Cl.**
USPC **D26/28**
(58) **Field of Classification Search**
USPC D26/28-36, 139
CPC F21S 48/00; F21S 48/10; F21S 48/115;
F21S 48/225; F21S 48/1233; F21S
48/1266; F21S 48/1388; F21S 48/2268;
F21V 21/04; F21V 29/004; B60Q 9/13;
B60Q 9/135; B60Q 9/1375
See application file for complete search history.

(56) **References Cited**
U.S. PATENT DOCUMENTS
D538,956 S * 3/2007 Ishii D26/28
D544,614 S * 6/2007 Markefka D26/28
D561,358 S * 2/2008 Tachibana D26/28
D570,007 S * 5/2008 Hsu D26/28
D694,443 S * 11/2013 Mackay D26/28
D747,819 S 1/2016 Thole et al.
* cited by examiner
Primary Examiner — Marcus A Jackson
(74) *Attorney, Agent, or Firm* — Alexander Chen, Esq.

(57) **CLAIM**
The ornamental design for an automobile headlight, as shown and described.

DESCRIPTION
FIG. 1 is a perspective view of an automobile headlight; FIG. 2 is a front view thereof; and, FIG. 3 is a side view thereof.
The broken lines are included to show environmental structure and form no part of the claimed design. The drawings and descriptions represent the left side embodiment. The claim is also for a mirror image right side embodiment.

1 Claim, 3 Drawing Sheets



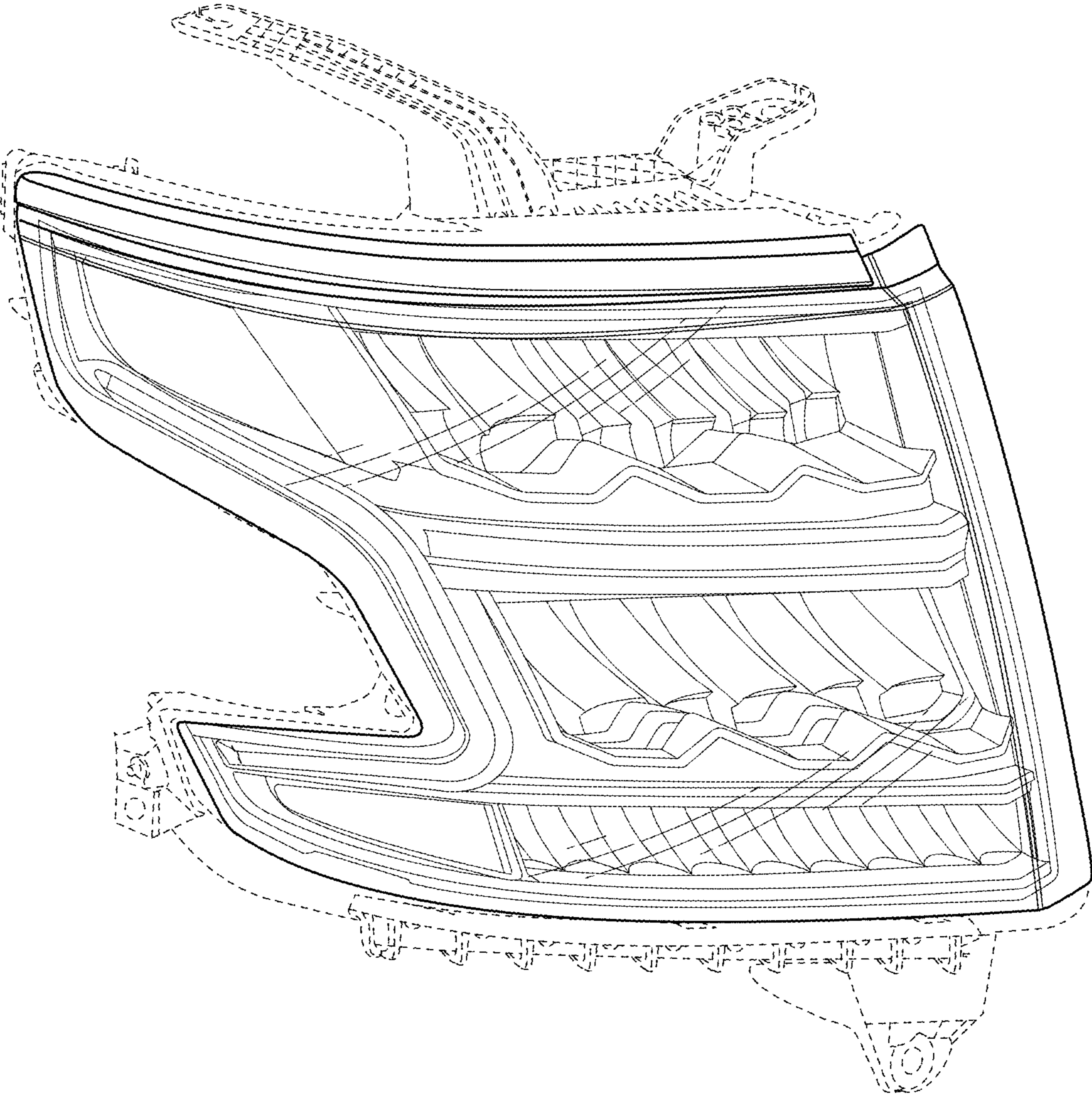


FIG. 1

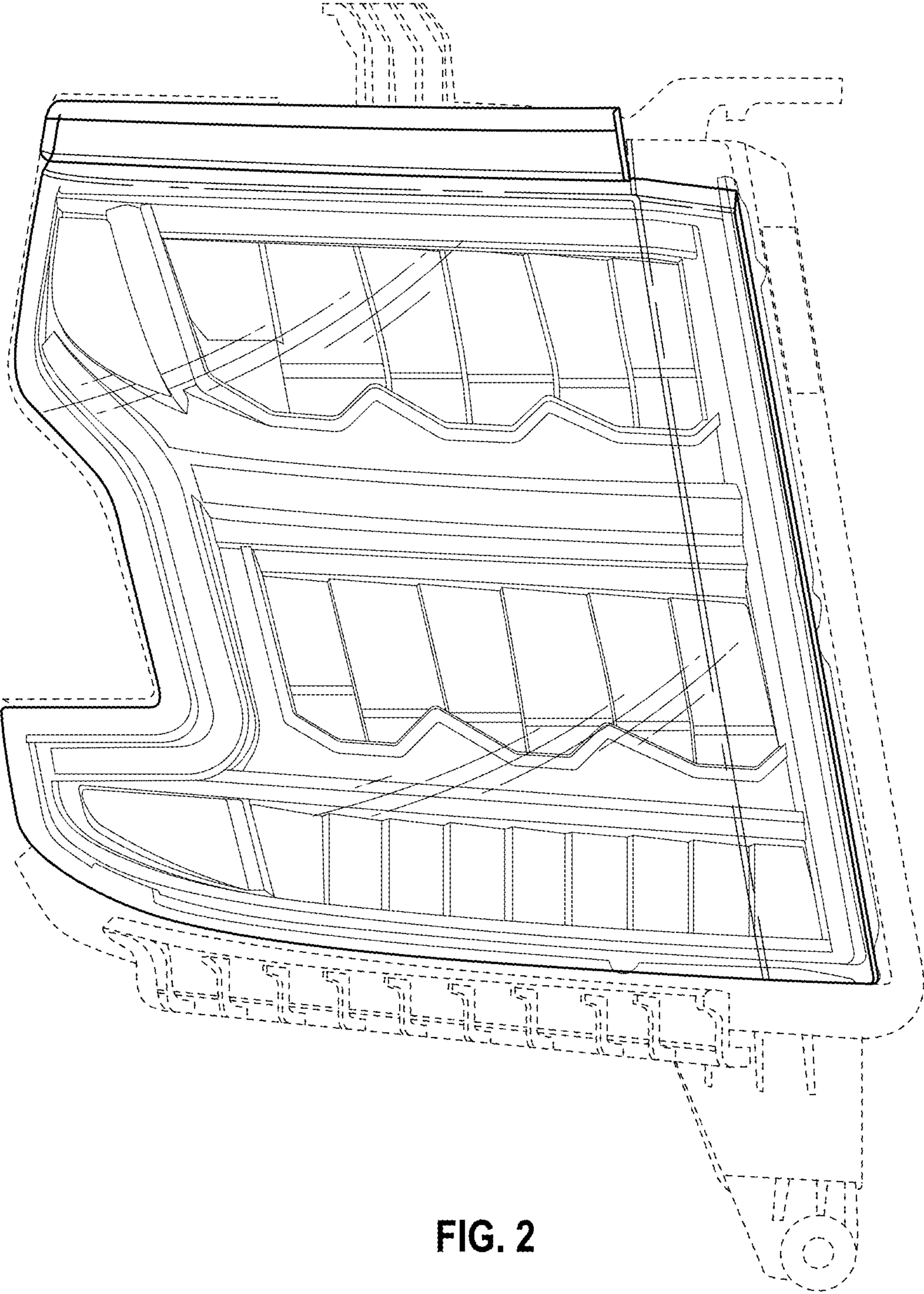


FIG. 2

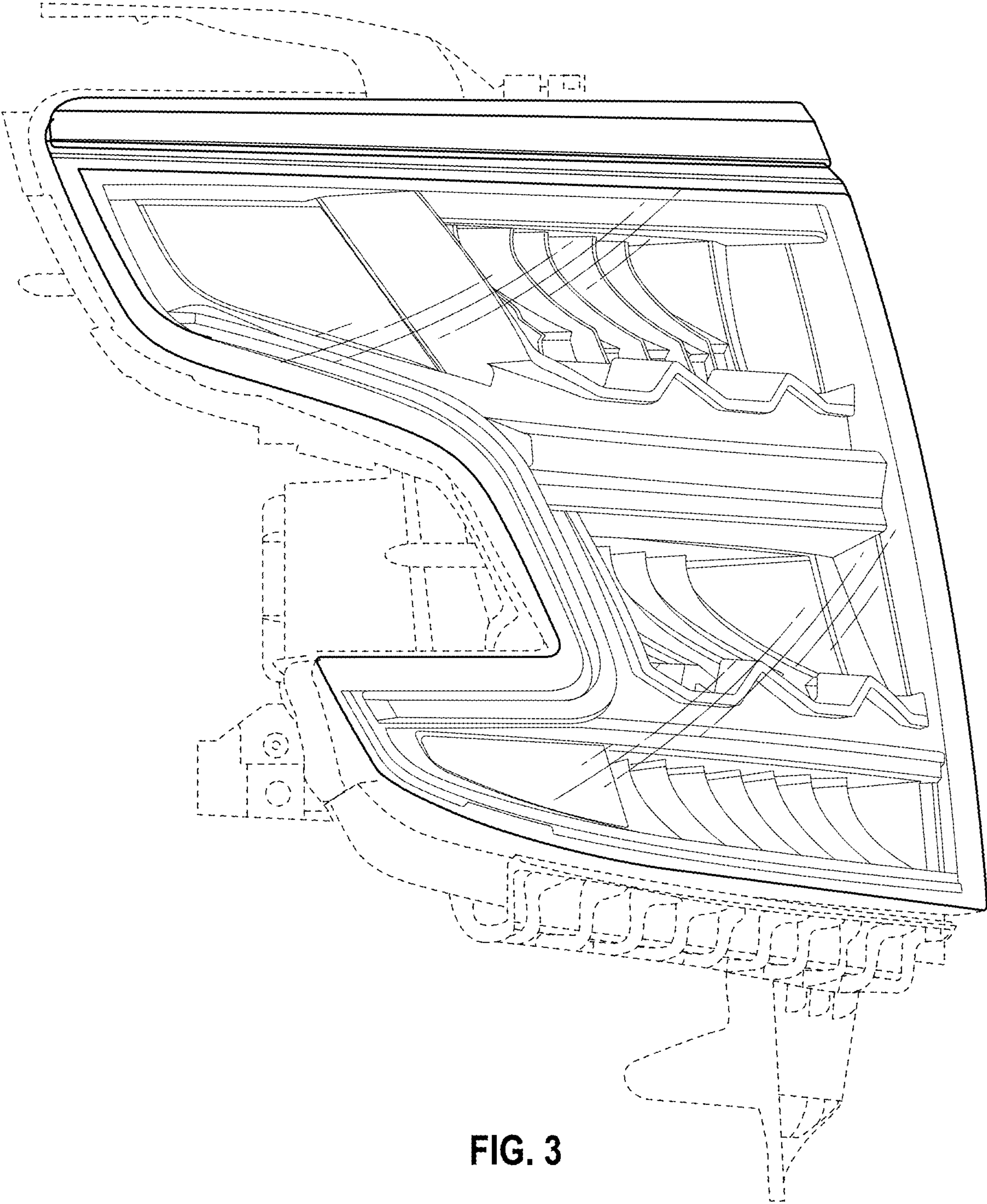


FIG. 3