



US00D919840S

(12) **United States Design Patent** (10) **Patent No.:** **US D919,840 S**
Sablowski et al. (45) **Date of Patent:** **** May 18, 2021**

(54) **CLIP-ON WICK SUSTAINER**
(71) Applicants: **Gisela R. Sablowski**, Springfield, MO (US); **Virginia A. Farrell**, Ronkonkoma, NY (US); **Hershell P. Sablowski**, Springfield, MO (US)

4,019,856 A 4/1977 Lacroix F23D 3/02
D273,138 S * 3/1984 Kaufmann D26/10
D294,070 S * 2/1988 Vandrilla D26/149
6,454,561 B1 * 9/2002 Colthar C11C 5/006
425/803

(Continued)

(72) Inventors: **Gisela R. Sablowski**, Springfield, MO (US); **Virginia A. Farrell**, Ronkonkoma, NY (US); **Hershell P. Sablowski**, Springfield, MO (US)

FOREIGN PATENT DOCUMENTS

DE 102010008652 8/2011 F21V 35/00
GB 414207 A 8/1934 C11C 5/00

(Continued)

(**) Term: **15 Years**

OTHER PUBLICATIONS

(21) Appl. No.: **29/638,987**

<https://www.youtube.com/watch?v=reWzcG71oqw> (Year: 2014).*

(22) Filed: **Mar. 2, 2018**

Primary Examiner — Marcus A Jackson

(74) *Attorney, Agent, or Firm* — Jonathan A. Bay

Related U.S. Application Data

(63) Continuation-in-part of application No. 13/655,342, filed on Oct. 18, 2012.

(51) **LOC (13) Cl.** **26-01**

(52) **U.S. Cl.**
USPC **D26/23**

(58) **Field of Classification Search**
USPC D26/9–23; D8/353, 393, 399, 394, 395, D8/382, 383; D22/108; D19/65, 86, 99, D19/100
CPC F21V 35/00; F21V 37/00; F21V 21/06; F21V 33/0028; F23D 3/16; F21W 2121/00
See application file for complete search history.

(57) **CLAIM**

The ornamental design for a clip-on wick sustainer, as shown and described.

DESCRIPTION

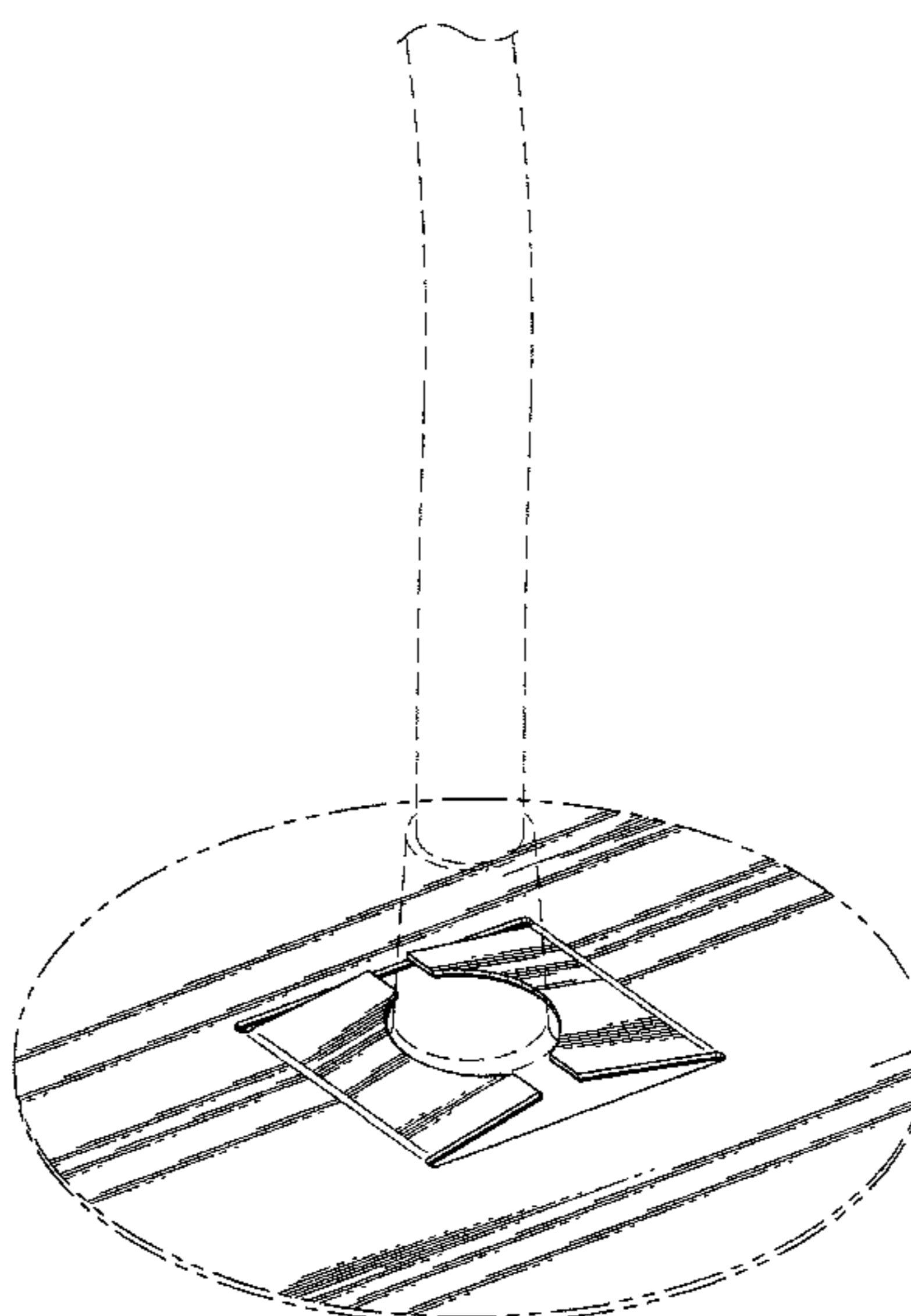
FIG. 1 is a perspective view of a clip-on wick sustainer showing our new design, wherein the material shown dashed lines forms no part of the claimed design; FIG. 2 is an enlarged scale perspective view of detail II-II in FIG. 1; FIG. 3 is a top plan view thereof; FIG. 4 is a front elevational view thereof; FIG. 5 is a side elevational view thereof; and, FIG. 6 is a bottom plan view thereof. The dash-dash-long dash lines of regular line weight immediately adjacent to shaded areas represent bounds of the claimed design. The dash-dash-long dash lines of bold line weight represent detail II-II in FIG. 1. All other broken lines in the drawing represent environmental subject matter that forms no part of the claimed design.

(56) **References Cited**

U.S. PATENT DOCUMENTS

1,344,446 A 6/1920 Engman F21V 35/00
2,025,096 A 12/1935 Deckert F21V 35/00
2,240,071 A 4/1941 Gisolfi F21S 13/12
2,481,019 A 9/1949 Joyce C11C 5/004
3,183,688 A 5/1965 Sobelson F21V 37/00
3,438,363 A 4/1969 Milbrandt A47J 37/0768

1 Claim, 4 Drawing Sheets



(56)

References Cited

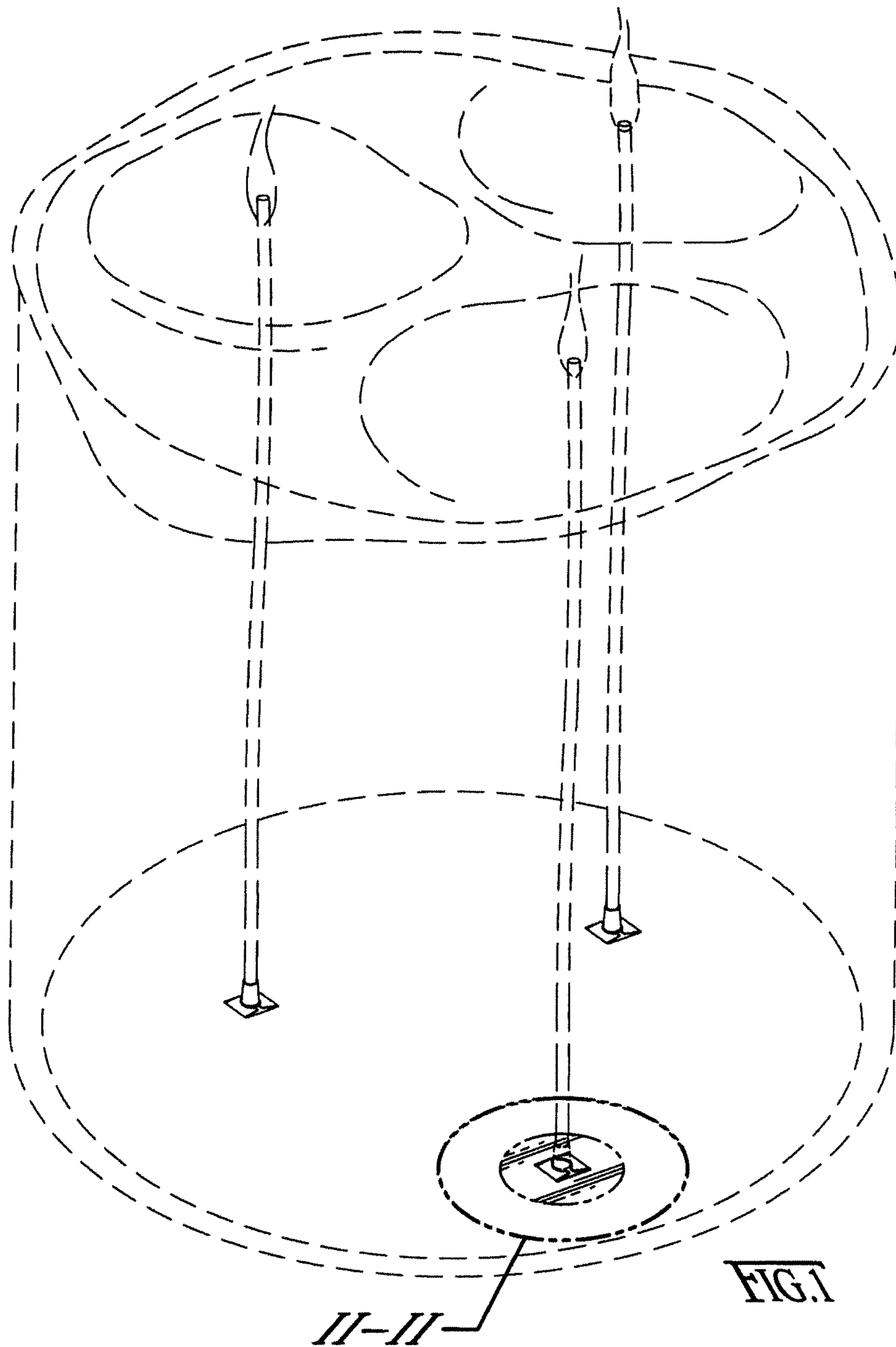
U.S. PATENT DOCUMENTS

6,863,525	B2 *	3/2005	Byrd	C11C 5/006 431/289
D507,667	S *	7/2005	Aucoin	D26/23
D536,108	S *	1/2007	Adams	D26/7
7,217,122	B1	5/2007	Baird	F23Q 35/00
D783,385	S *	4/2017	Zhu	D8/349
D793,587	S *	8/2017	Avital	D26/23
D867,856	S *	11/2019	Ruddick	D8/356
D867,857	S *	11/2019	Ruddick	D8/356
2003/0064340	A1	4/2003	Pappas	F23D 3/02
2004/0029061	A1	2/2004	Dibnah et al.	F23D 3/16
2004/0033463	A1	2/2004	Pesu et al.	F23D 3/16
2005/0198898	A1	9/2005	Vogt	A01G 9/02
2005/0239010	A1 *	10/2005	Duska	F23D 3/24 431/288
2006/0112634	A1	6/2006	Vogt	A01G 25/00
2007/0015096	A1	1/2007	Soller et al.	F23D 3/16
2007/0037108	A1 *	2/2007	Kubicek	C11C 5/006 431/289
2008/0318177	A1	12/2008	Requejo et al.	F23D 3/16
2012/0077133	A1	3/2012	Cagle	F23D 3/16
2012/0148966	A1 *	6/2012	Ramaker	C11C 5/006 431/292

FOREIGN PATENT DOCUMENTS

JP	S5861193	A	4/1983	C11C 5/00
JP	H0987659	A	3/1997	C11C 5/00

* cited by examiner



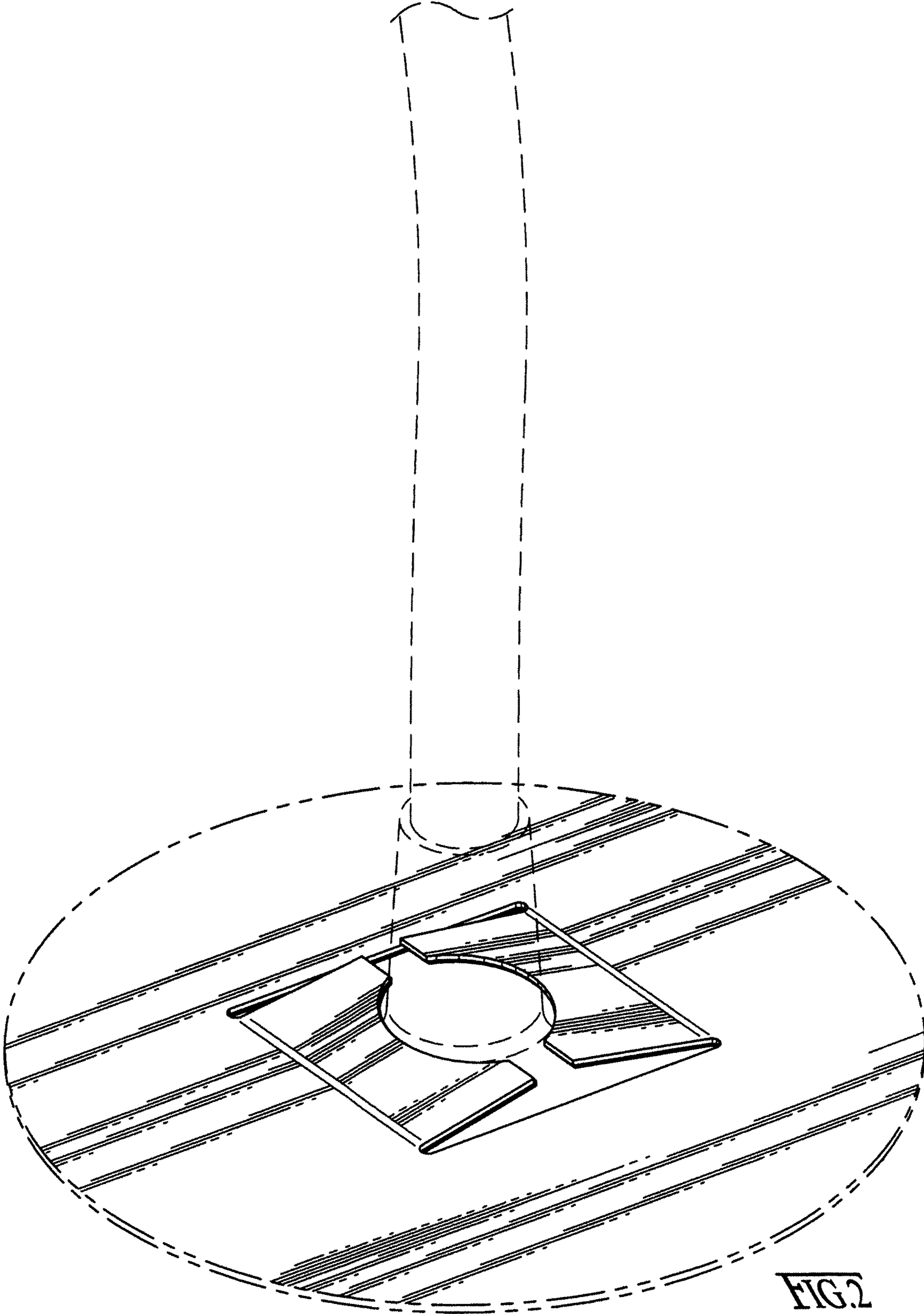


FIG 2

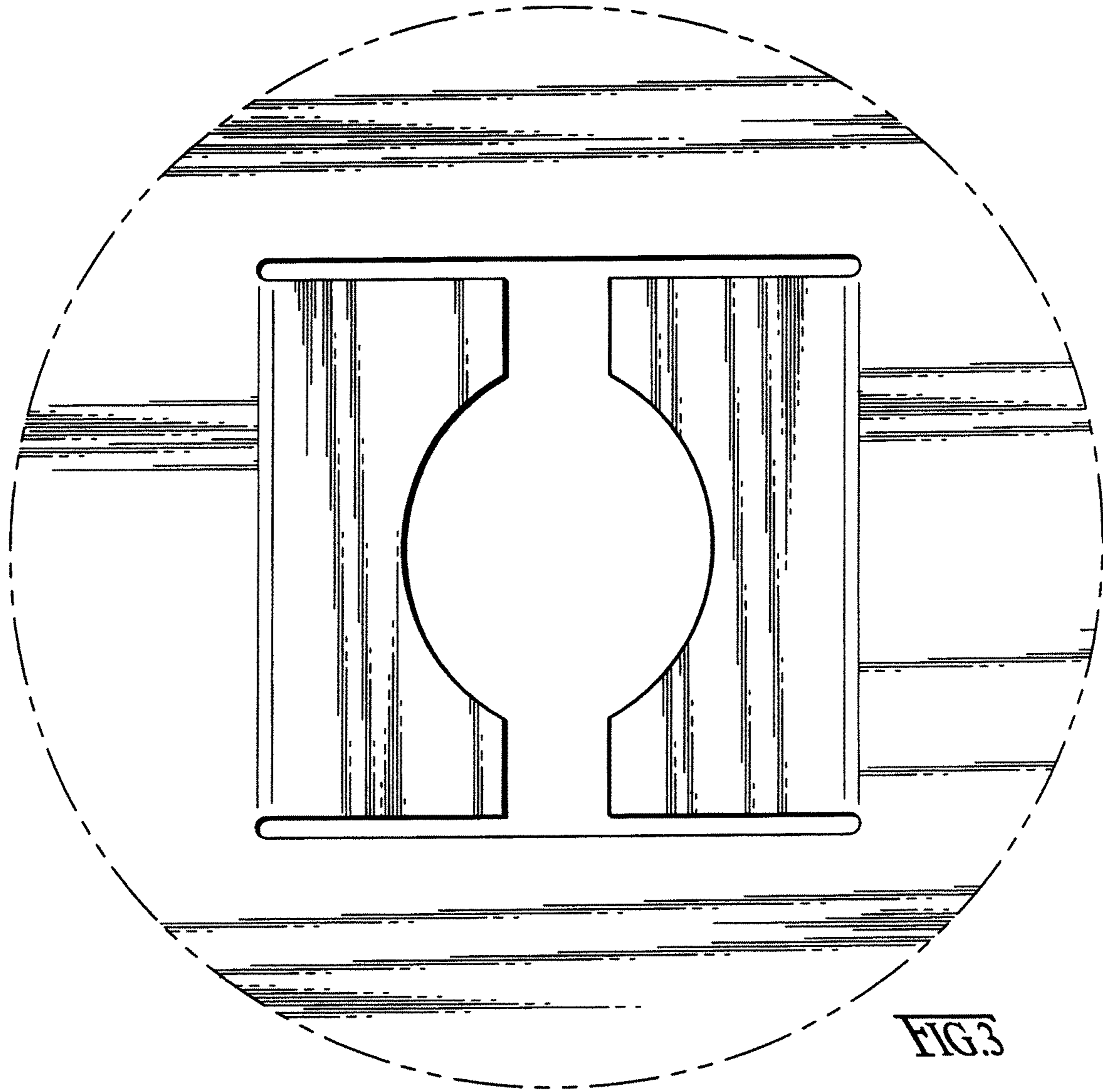


FIG. 3

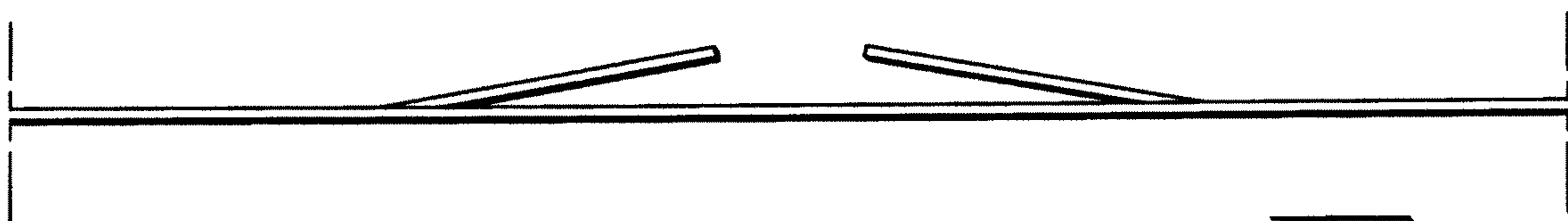


FIG. 4

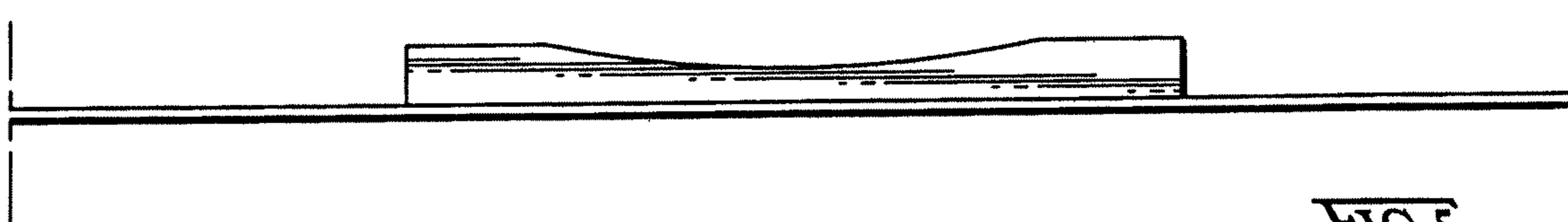


FIG. 5

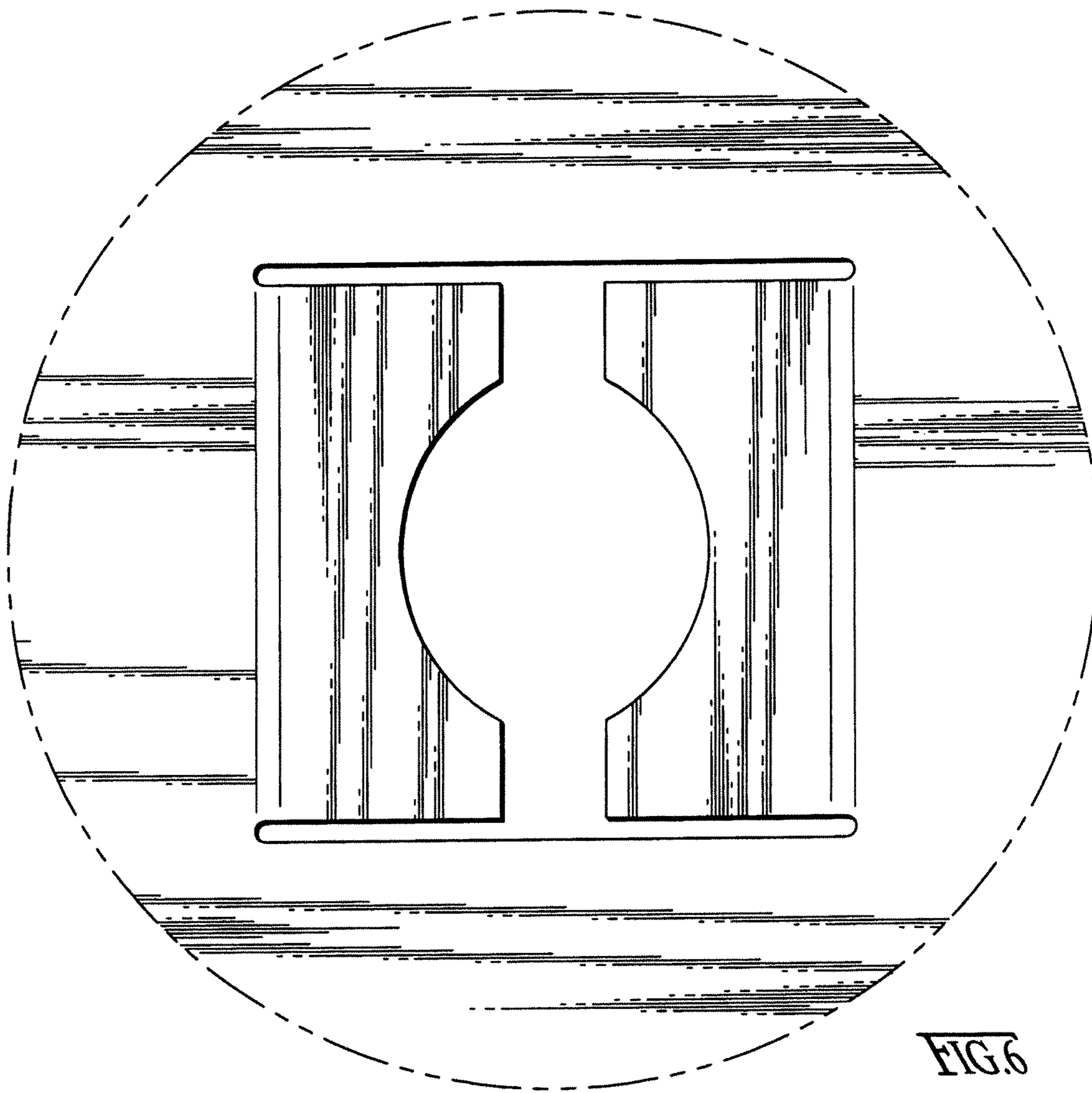


FIG. 6