

US00D919838S

(12) **United States Design Patent** (10) **Patent No.:** **US D919,838 S**
Kloss et al. (45) **Date of Patent:** **** May 18, 2021**

(54) **RETAINING WALL BLOCK**
(71) Applicant: **Redi-Rock International, LLC**,
Charlevoix, MI (US)
(72) Inventors: **Jacob Kloss**, Charlevoix, MI (US);
James Johnson, Charlevoix, MI (US)
(73) Assignee: **Redi-Rock International, LLC**,
Charlevoix, MI (US)
(**) Term: **15 Years**
(21) Appl. No.: **29/711,904**
(22) Filed: **Nov. 4, 2019**
(51) **LOC (13) Cl.** **25-01**
(52) **U.S. Cl.**
USPC **D25/113**
(58) **Field of Classification Search**
USPC D21/484-491, 499-502; D25/112-118
CPC E02D 29/0233; E02D 29/025; E02D
29/0266
See application file for complete search history.

D877,936 S * 3/2020 Lindberg D25/113
D895,153 S * 9/2020 McIntosh D25/113
2015/0275464 A1 10/2015 Sharp

FOREIGN PATENT DOCUMENTS

EM 005629508-0001 * 9/2018
EM 007271267-0001 * 12/2019
KR 300454608.0000 * 7/2007
KR 300544132.0000 * 11/2009

OTHER PUBLICATIONS

Redi-Rock_Block_Library https://www.redi-rock.com/documents/Engineering/BlockLibrary/Redi-Rock_Block_Library_062520.pdf Jun. 25, 2020 (Year: 2020).*

* cited by examiner

Primary Examiner — Leanne Was-Englehart
(74) *Attorney, Agent, or Firm* — Traverse Legal, PLC

(57) **CLAIM**

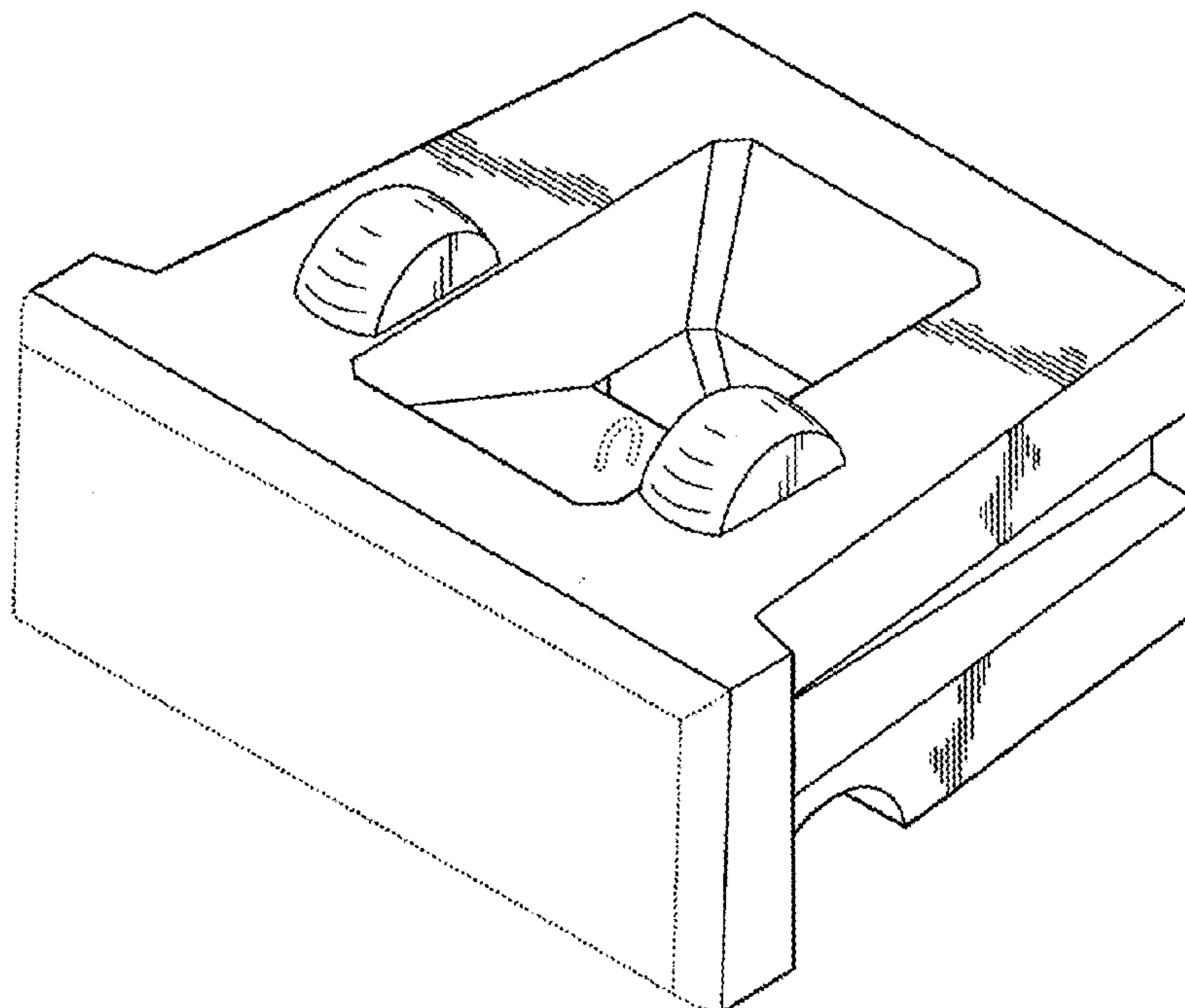
We claim the ornamental design for a retaining wall block, as shown and described.

DESCRIPTION

FIG. 1 is a top, front perspective view of a retaining wall block;
FIG. 2 is a top, rear perspective view thereof;
FIG. 3 is a top plan view thereof;
FIG. 4 is a bottom plan view thereof;
FIG. 5 is a front side elevational view thereof;
FIG. 6 is a rear side elevational view thereof;
FIG. 7 is a right side elevational view thereof;
FIG. 8 is a left side elevational view thereof; and,
FIG. 9 is an interior cross-section view taken in the direction of line 9-9 in FIG. 3.

1 Claim, 4 Drawing Sheets

(56) **References Cited**
U.S. PATENT DOCUMENTS
D459,487 S * 6/2002 Bott D25/118
6,615,561 B2 * 9/2003 MacDonald E02D 29/0241
52/606
D530,832 S * 10/2006 Rainey D25/114
D548,367 S * 8/2007 Price D25/113
D650,918 S * 12/2011 Hammer D25/113
D663,858 S * 7/2012 MacDonald D25/113
D857,240 S * 8/2019 Johnson D25/113
D866,004 S * 11/2019 Johnson D25/113
D866,005 S * 11/2019 Johnson D25/113



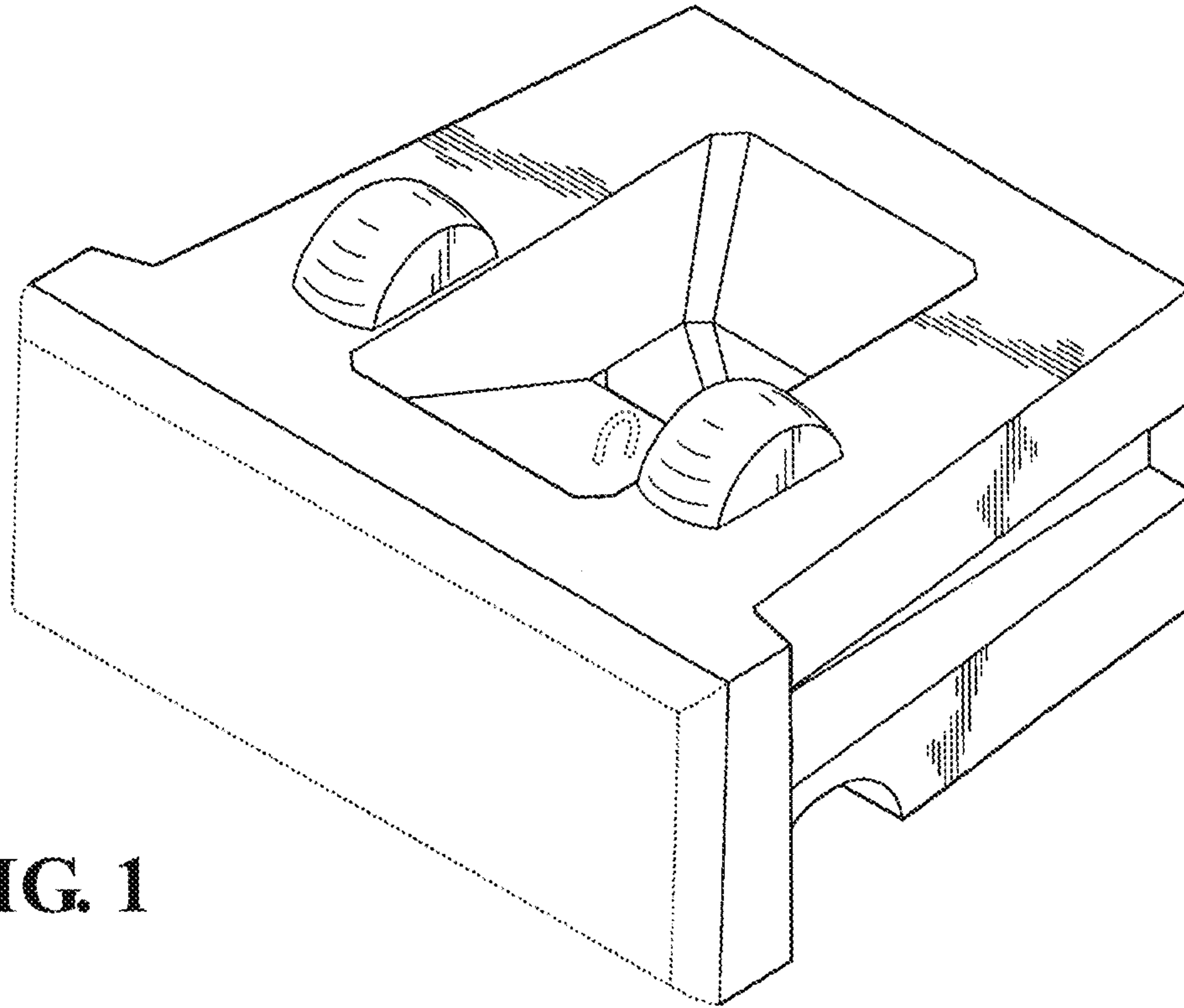


FIG. 1

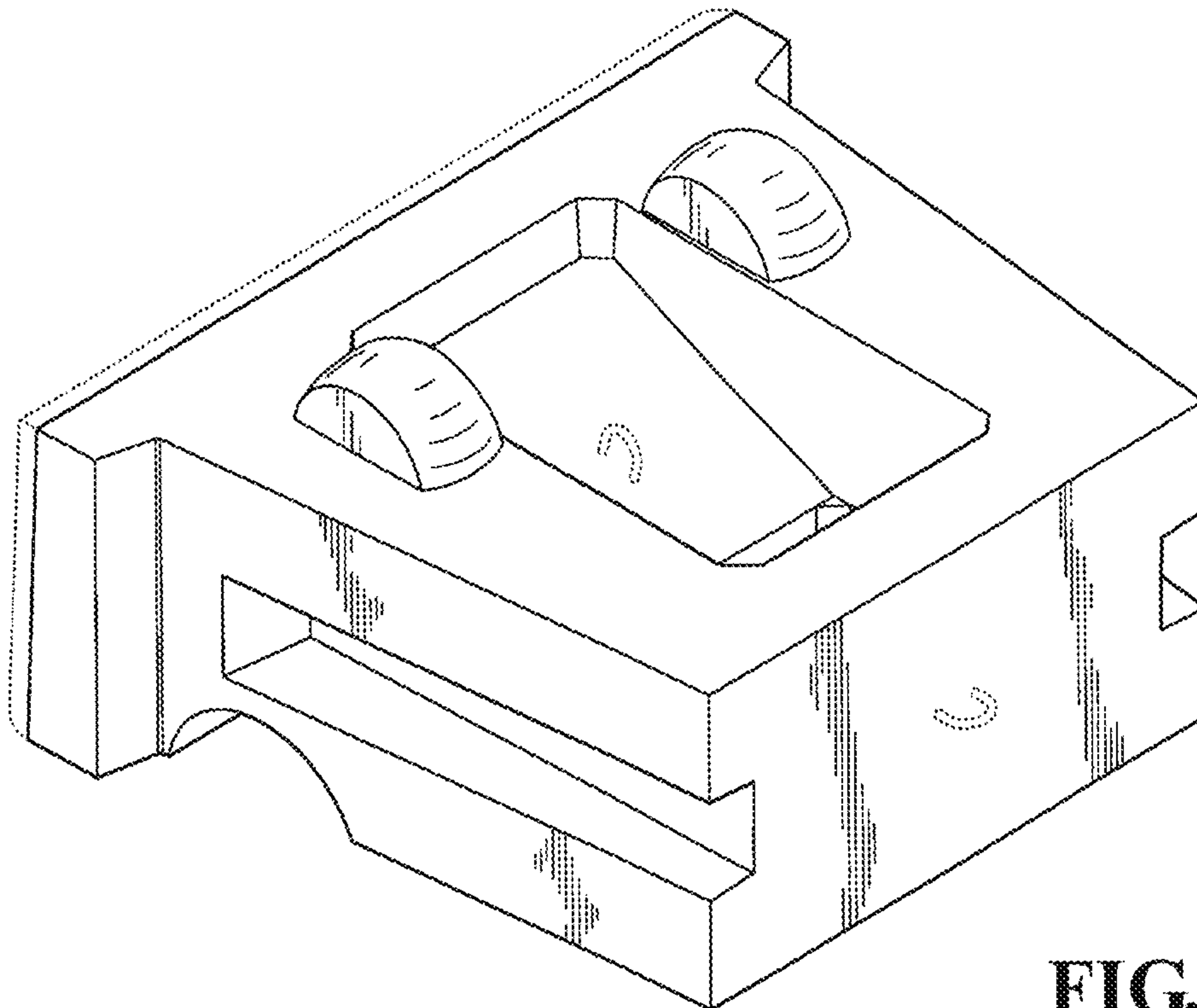


FIG. 2

FIG. 3

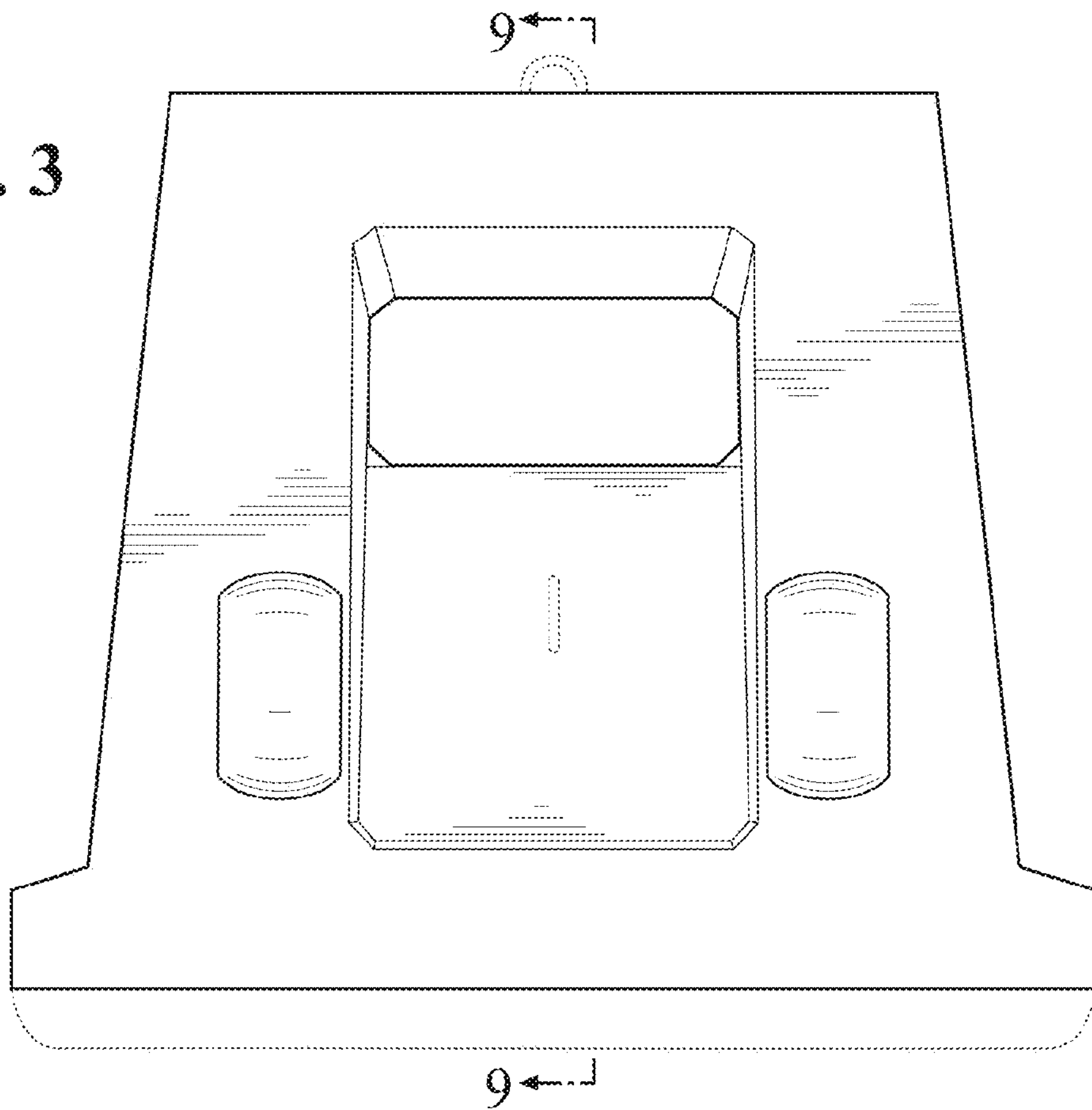
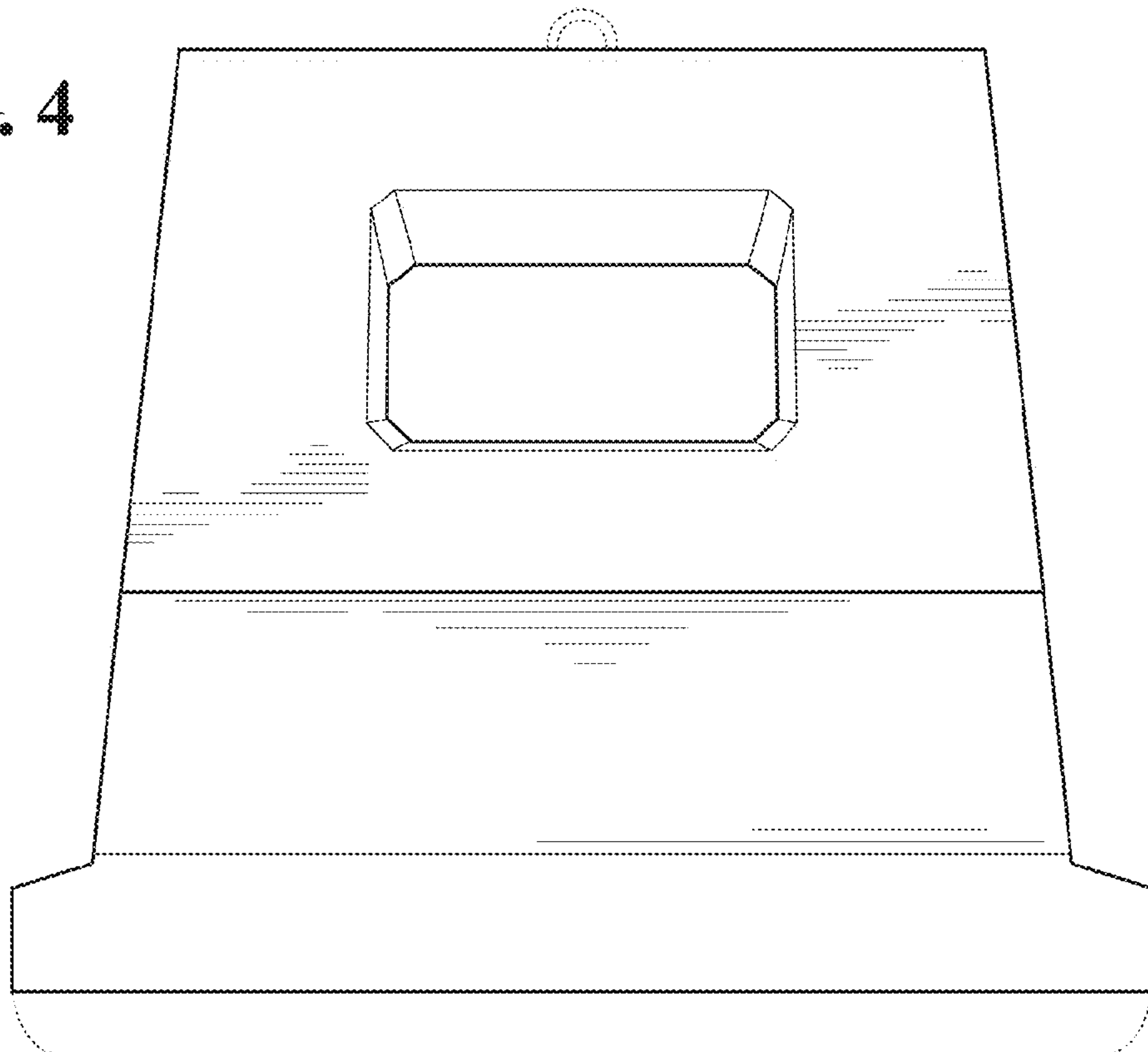


FIG. 4



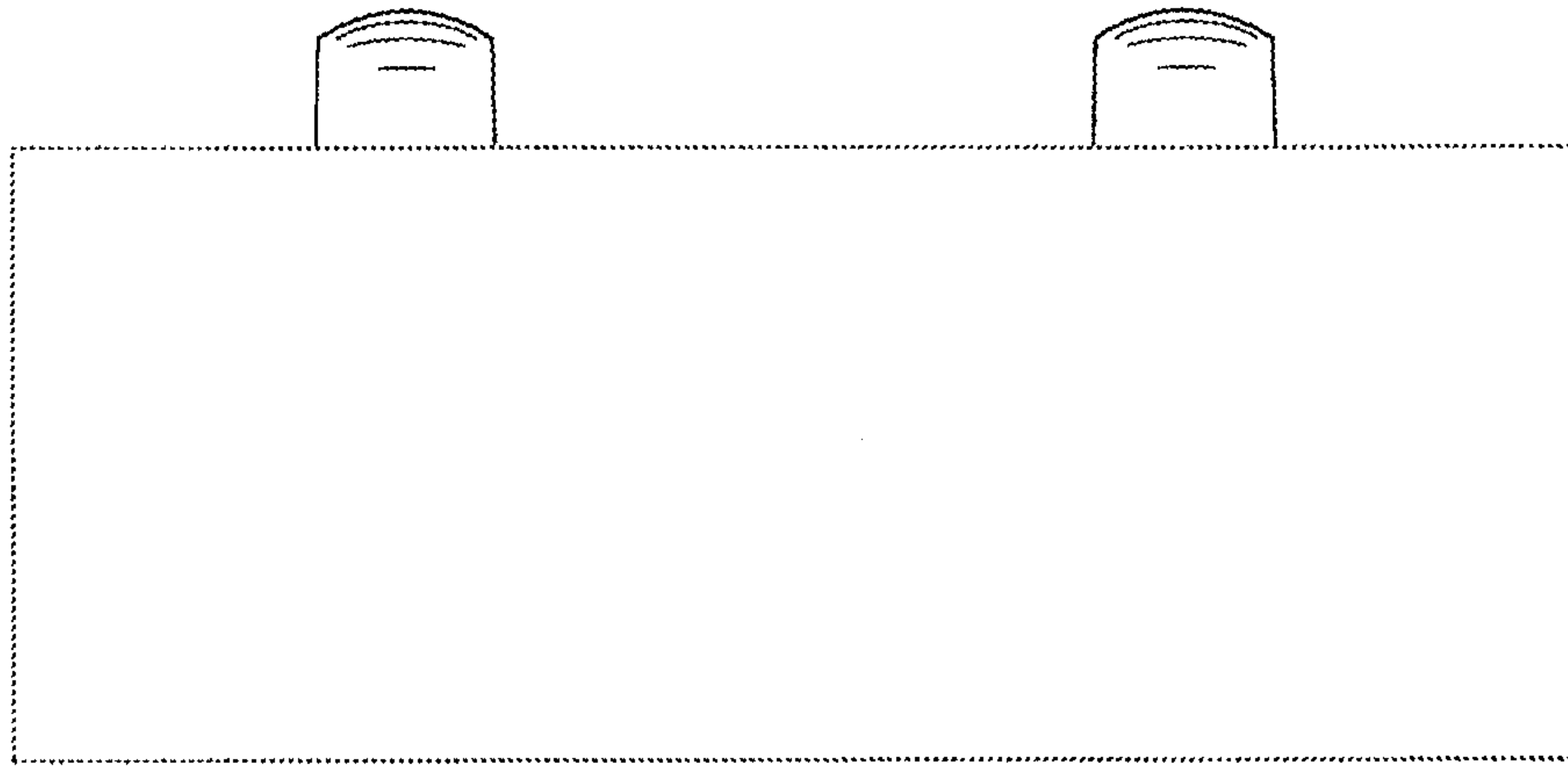


FIG. 5

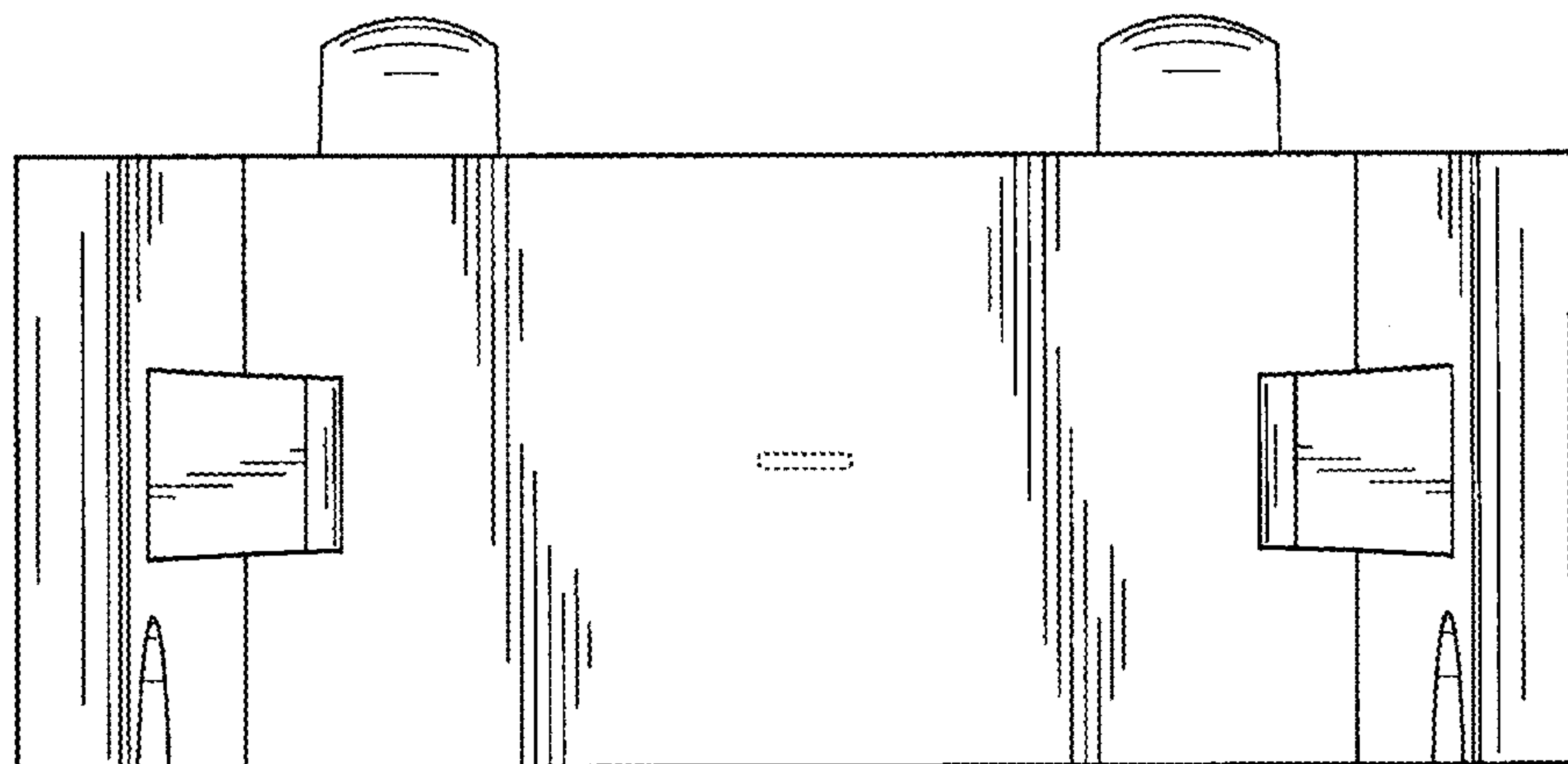


FIG. 6

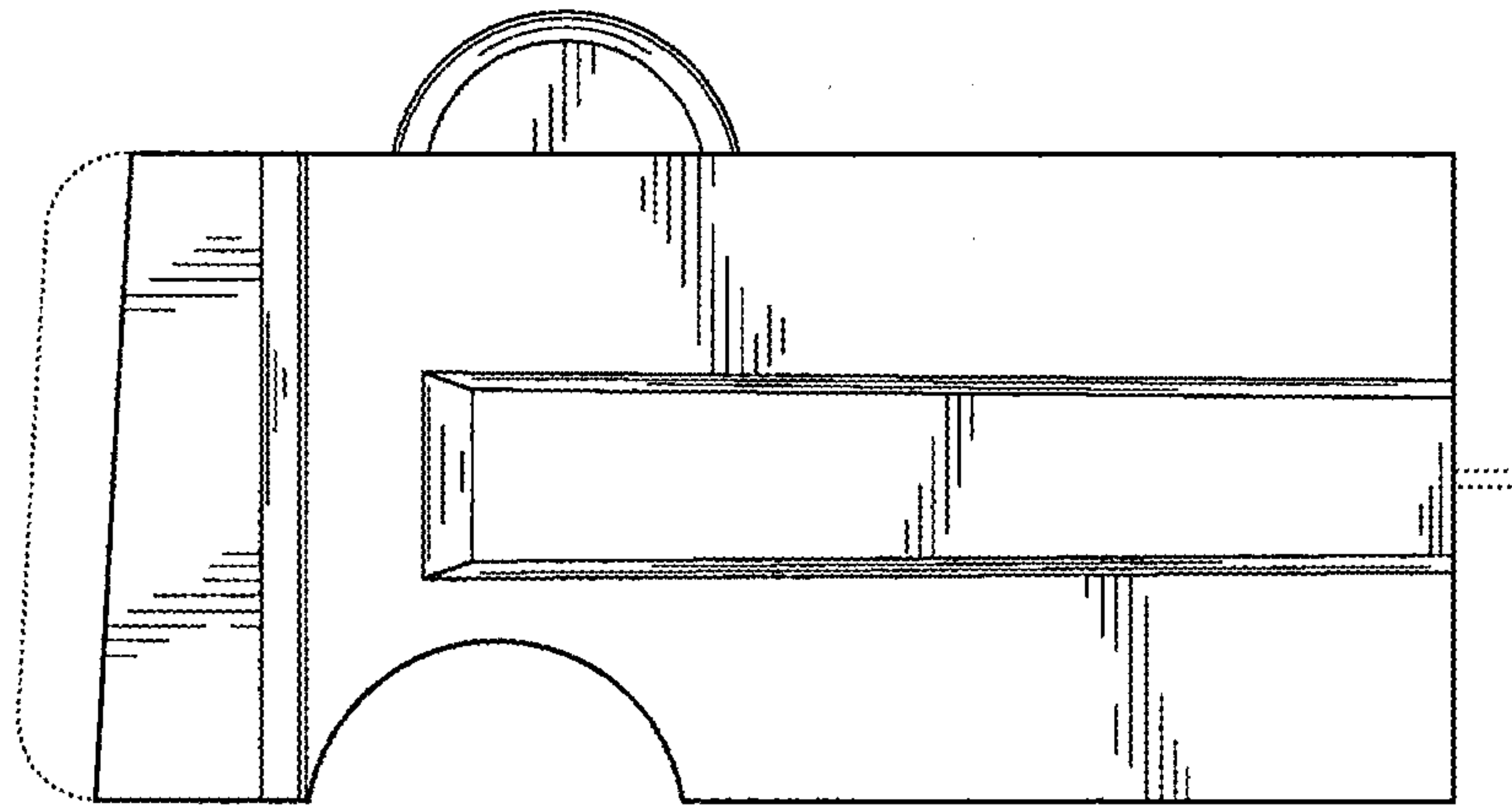


FIG. 7

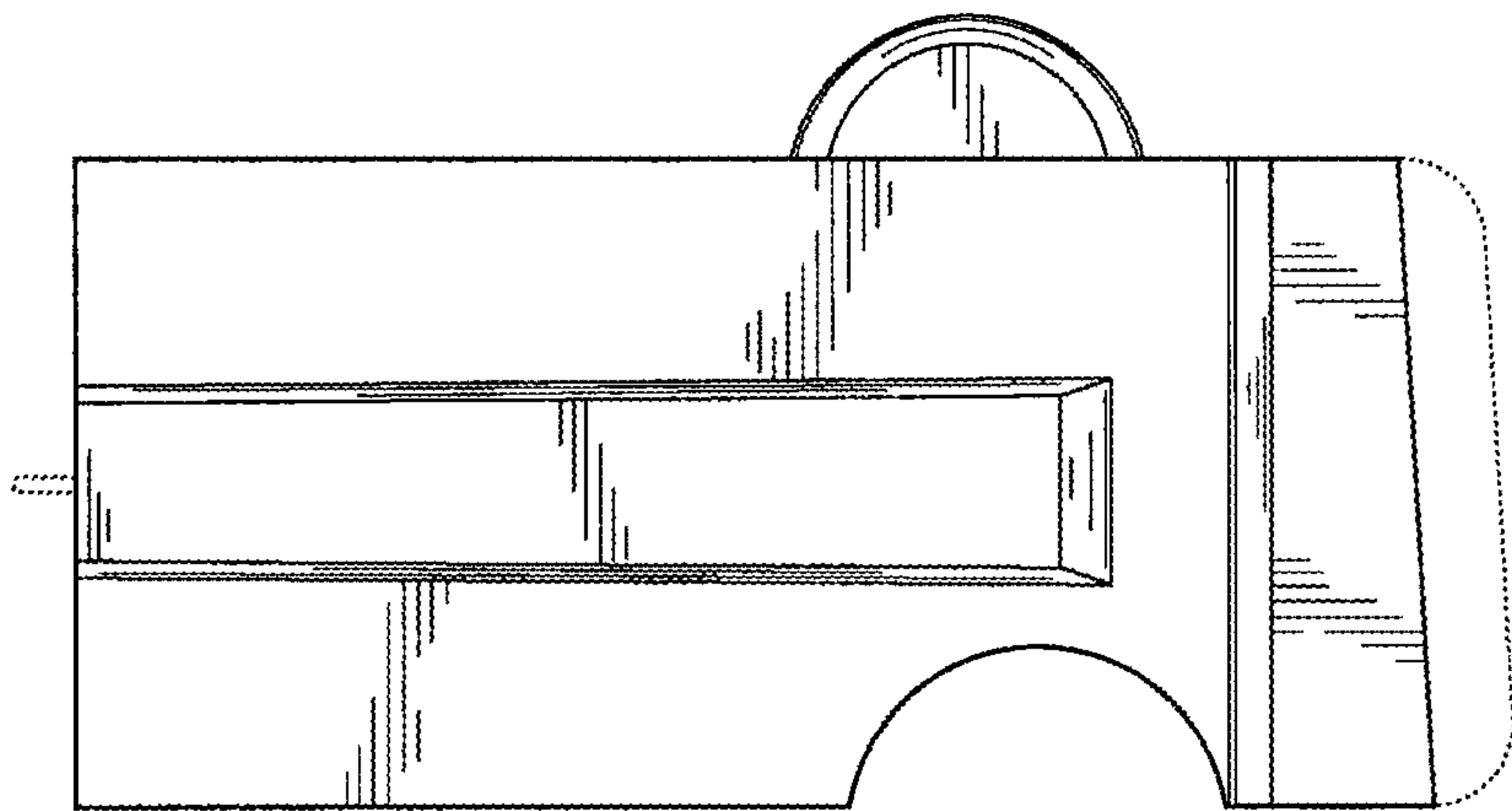


FIG. 8

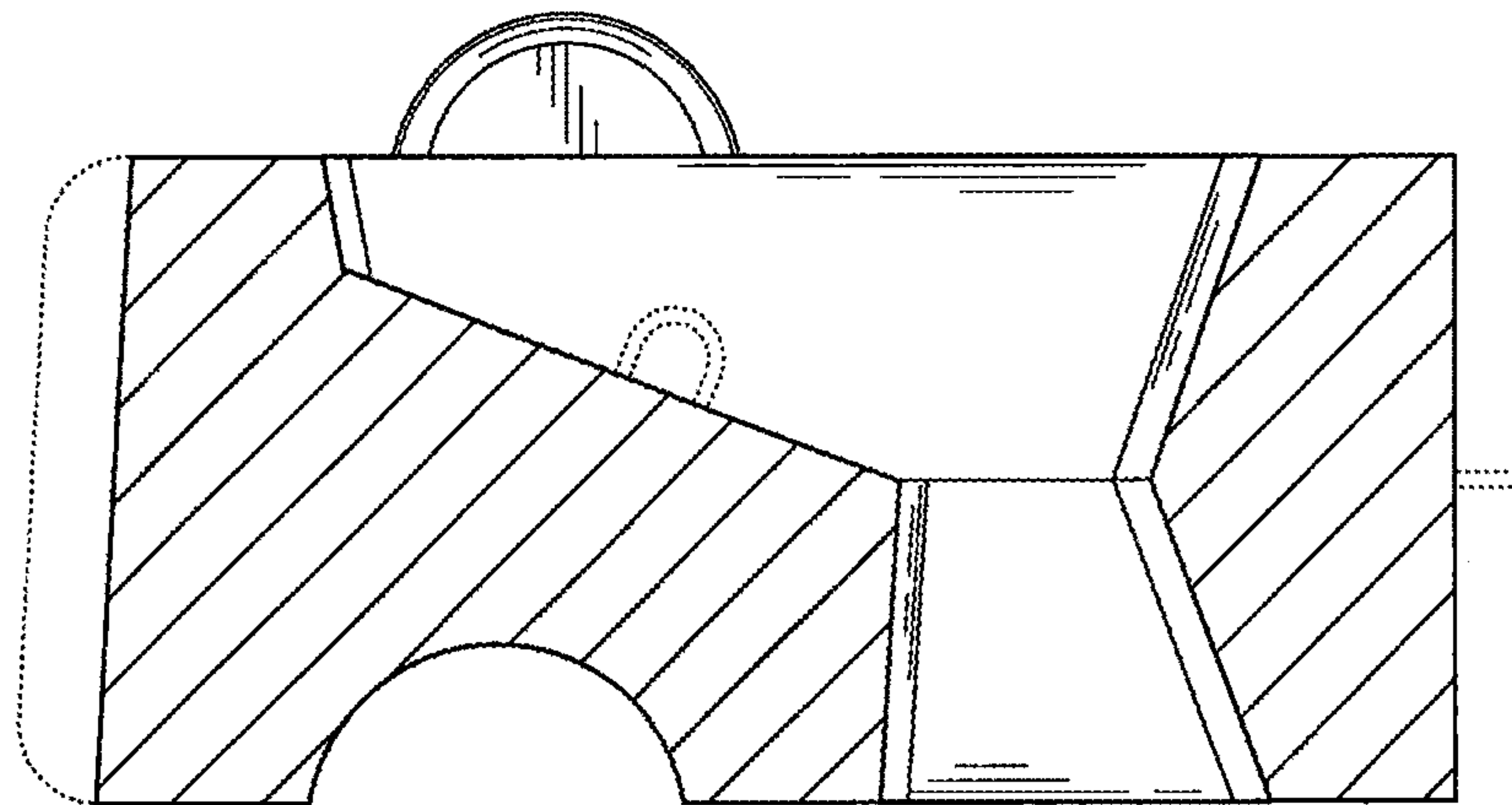


FIG. 9