



US00D919835S

(12) **United States Design Patent** (10) **Patent No.:** **US D919,835 S**
Morkunas et al. (45) **Date of Patent:** **** May 18, 2021**

- (54) **CASSETTE ASSEMBLY FOR ELECTROPHORESIS GEL**
- (71) Applicants: **THERMO FISHER ISRAEL LTD.**, Carlsbad, CA (US); **THERMO FISHER SCIENTIFIC BALTICS UAB**, Carlsbad, CA (US)
- (72) Inventors: **Justas Morkunas**, Vilnius (LT); **Ronen Ben Arieh**, Givat Brener (IL); **Shahar Schlezinger**, Kiryat Shmona (IL)
- (73) Assignees: **THERMO FISHER SCIENTIFIC BALTICS UAB**, Vilnius (LT); **THERMO FISHER ISRAEL LTD.**, Kiryat Shmona (IL)

7,303,715	B1	12/2007	Fox
7,601,251	B2	10/2009	Rooney et al.
D681,843	S	5/2013	Nemeth
D698,938	S	2/2014	Fonseca et al.
D733,918	S	7/2015	Sjolander et al.
9,234,874	B2	1/2016	Panattoni et al.
D787,700	S *	5/2017	Dunaway D24/225
D812,767	S	3/2018	Osmus et al.
D851,275	S	6/2019	Spuhler et al.
D861,915	S	10/2019	Zakrys et al.
D875,271	S	2/2020	Ringold et al.
D905,273	S *	12/2020	Zakrys D24/233
2004/0124083	A1	7/2004	Chen
2005/0023139	A1	2/2005	Rooney et al.
2005/0164404	A1	7/2005	Marlborough et al.
2006/0163067	A1	7/2006	Sevigny et al.
2011/0062024	A1	3/2011	Sabin et al.
2015/0160156	A1	6/2015	Otonashi et al.
2015/0192542	A1	7/2015	Larsson et al.

(**) Term: **15 Years**

FOREIGN PATENT DOCUMENTS

- (21) Appl. No.: **29/723,655**
- (22) Filed: **Feb. 10, 2020**
- (51) **LOC (13) Cl.** **24-01**
- (52) **U.S. Cl.**
USPC **D24/233; D24/224**
- (58) **Field of Classification Search**
USPC D24/216, 219, 223-233, 186, 107, 121; D10/81
CPC B01L 3/502707; B01L 9/52; B01L 9/23; B01L 9/527; B01L 2300/0609; B01L 2300/0809; B01L 2300/0877; B01L 2200/027; G01N 27/447; G01N 27/44704; G01N 27/44756; G01N 27/44747; C07K 1/26
See application file for complete search history.

CN	206057247	U	3/2017
CN	207439996	U	6/2018
CN	201830090987	*	10/2018
DE	202017105544	U1	9/2017
EM	004723807-0007	*	4/2018
FR	2825720	B1	10/2003
JP	2004205226	A	7/2004
WO	WO-2000016084	A1	3/2000
WO	WO-2004063739	A1	7/2004

* cited by examiner

Primary Examiner — Anhdao Doan

(57) **CLAIM**

The ornamental design for cassette assembly for electrophoresis gel, as shown and described.

(56) **References Cited**

DESCRIPTION

U.S. PATENT DOCUMENTS

6,071,396	A	6/2000	Day
6,562,213	B1	5/2003	Cabilly et al.
6,569,306	B1	5/2003	Read et al.
6,866,514	B2	3/2005	Von Roeschlaub et al.
D530,021	S *	10/2006	Muraca D24/226
7,122,104	B2	10/2006	Cabilly et al.

FIG. 1 is a front perspective of a comb of a cassette assembly for electrophoresis gel, according to a first embodiment; FIG. 2 is a back perspective view of the comb of the cassette assembly for electrophoresis gel, of FIG. 1; FIG. 3 is a front view of the comb of the cassette assembly for electrophoresis gel, of FIG. 1;

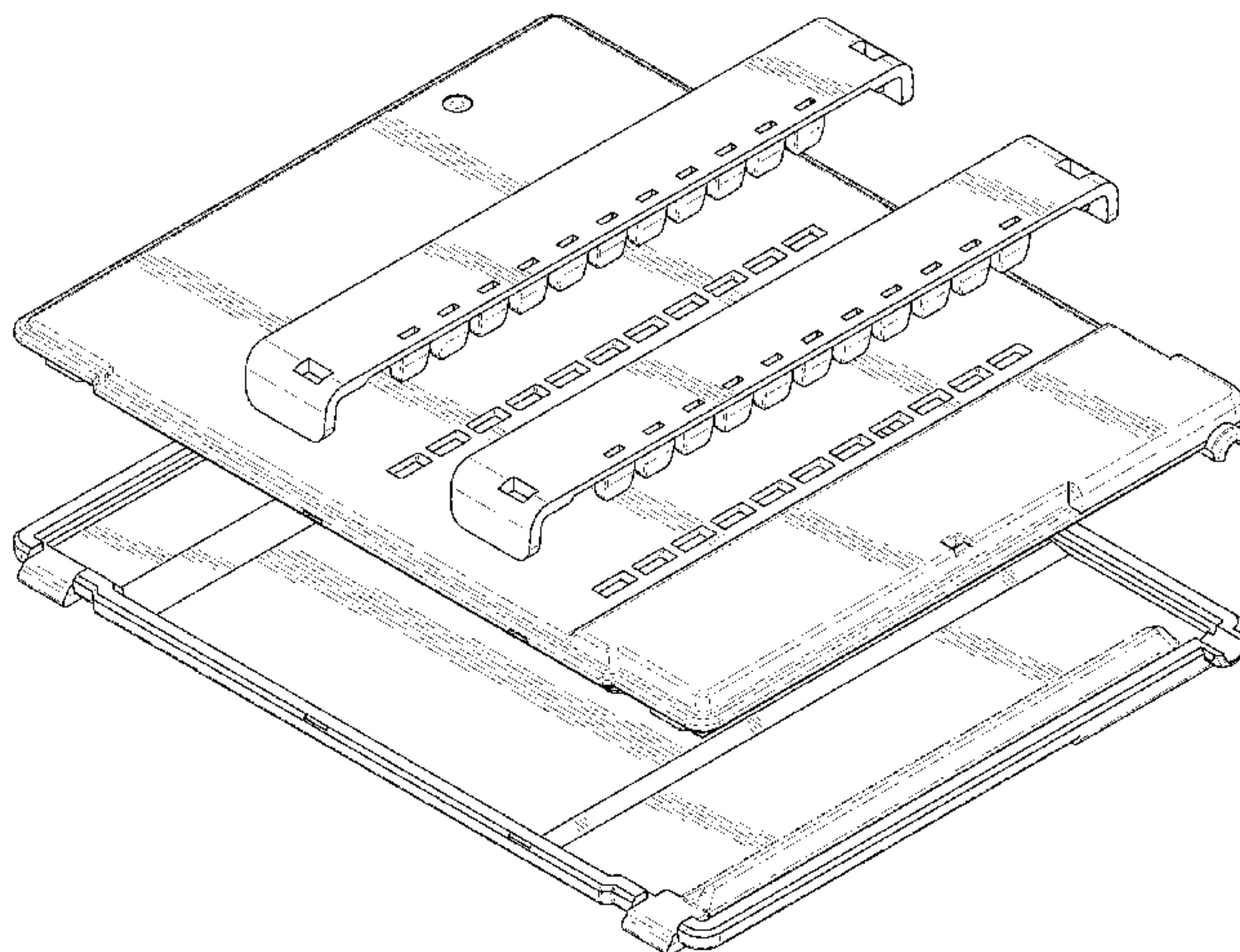


FIG. **62** is a front perspective view of the bottom plate of the cassette assembly for electrophoresis gel, of the first embodiment;

FIG. **63** is a back perspective view of the bottom plate of the cassette assembly for electrophoresis gel, of FIG. **62**;

FIG. **64** is a front view of the bottom plate of the cassette assembly for electrophoresis gel, of FIG. **62**;

FIG. **65** is a back view of the bottom plate of the cassette assembly for electrophoresis gel, of FIG. **62**;

FIG. **66** is a right side view of the bottom plate of the cassette assembly for electrophoresis gel, of FIG. **62**;

FIG. **67** is a left side view of the bottom plate of the cassette assembly for electrophoresis gel, of FIG. **62**;

FIG. **68** is a top view of the bottom plate of the cassette assembly for electrophoresis gel, of FIG. **62**; and,

FIG. **69** is a bottom view of the bottom plate of the cassette assembly for electrophoresis gel, of FIG. **62**.

The broken lines depict portions of the cassette assembly for electrophoresis gel that form no part of the claimed design.

1 Claim, 68 Drawing Sheets

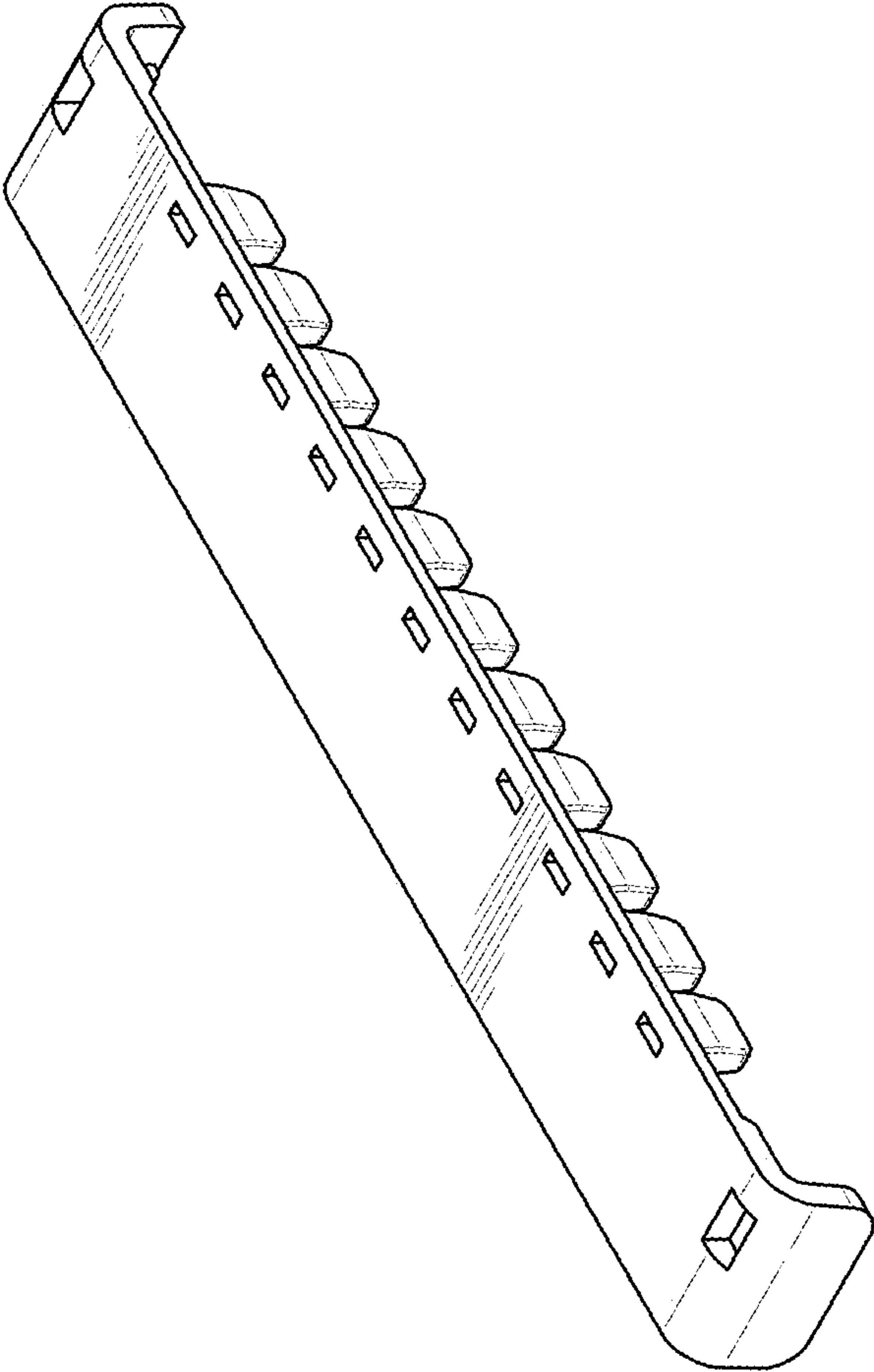


FIG. 1

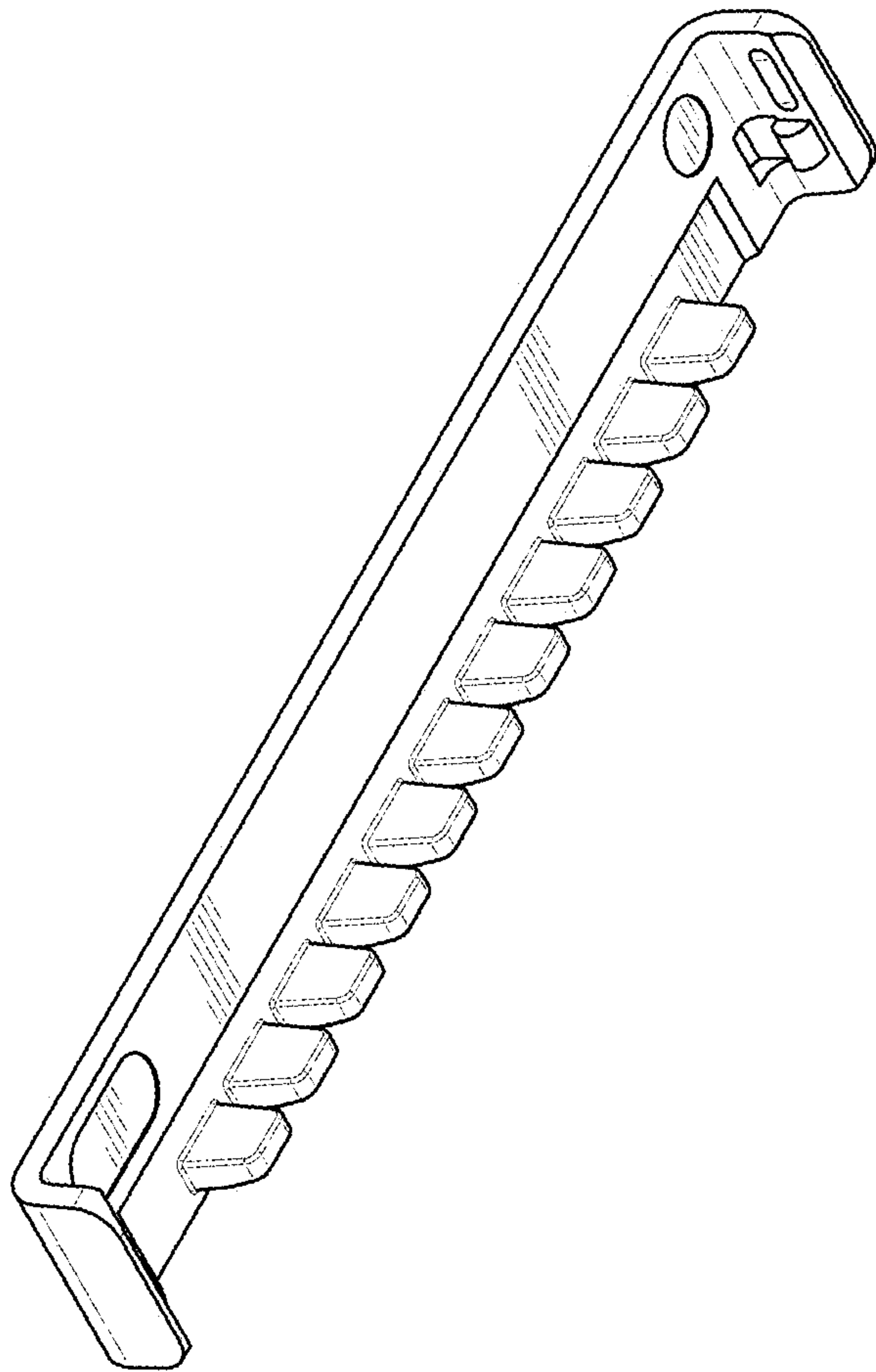


FIG. 2

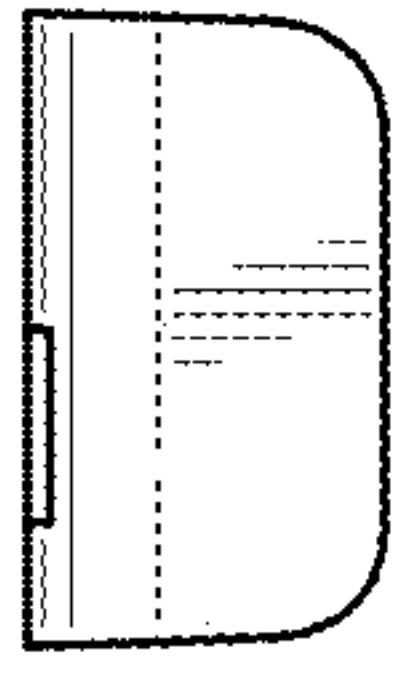


FIG. 4

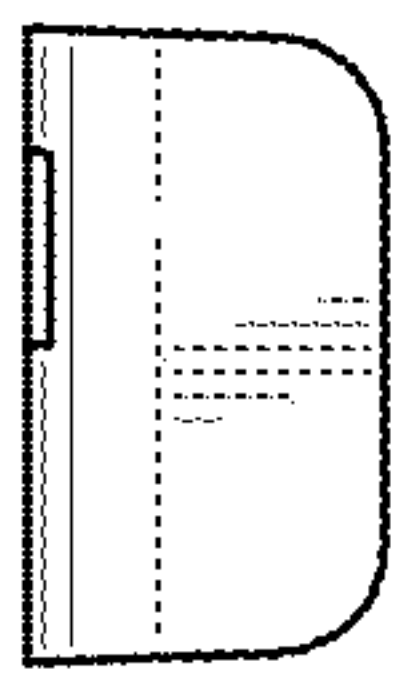


FIG. 3

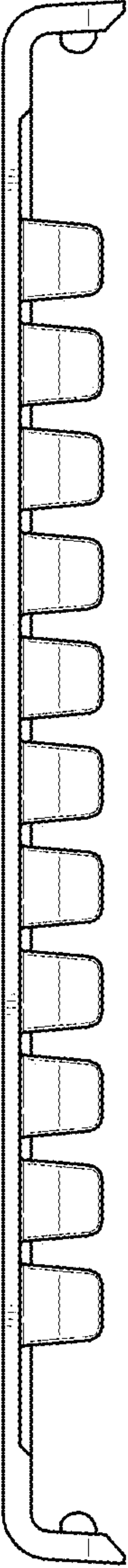


FIG. 5

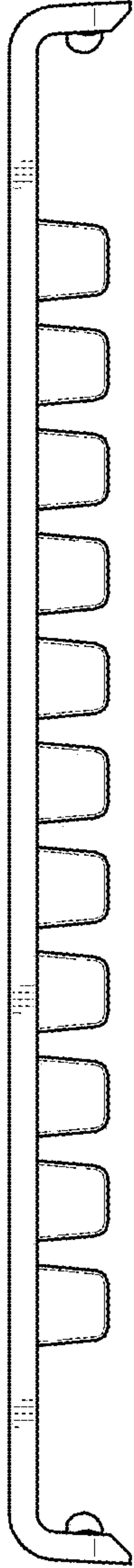


FIG. 6

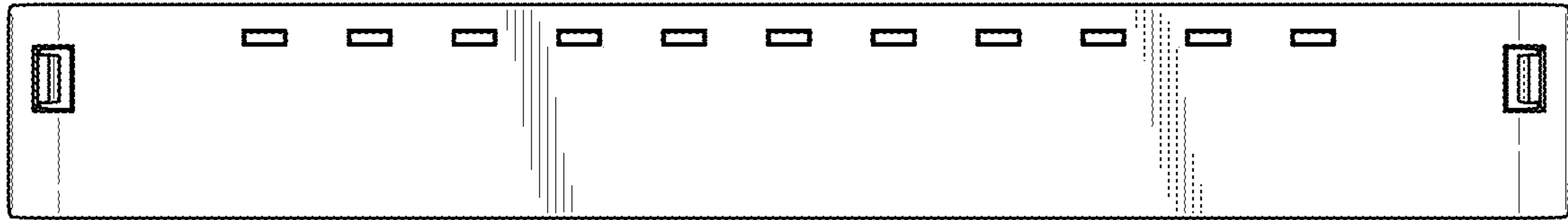


FIG. 7

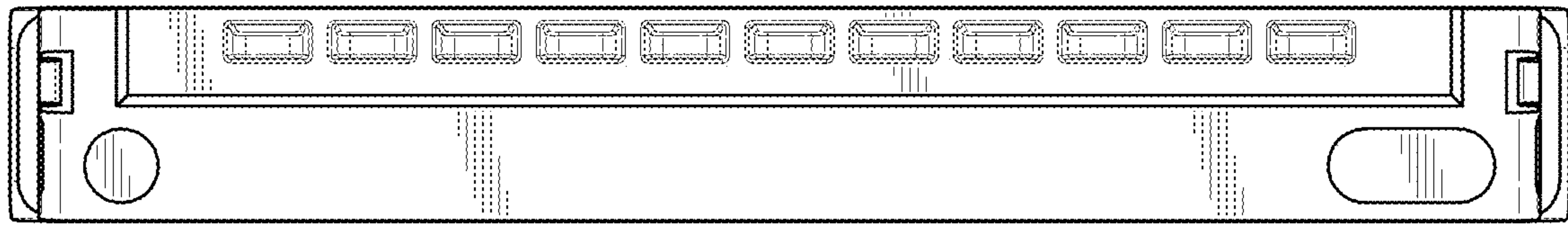


FIG. 8

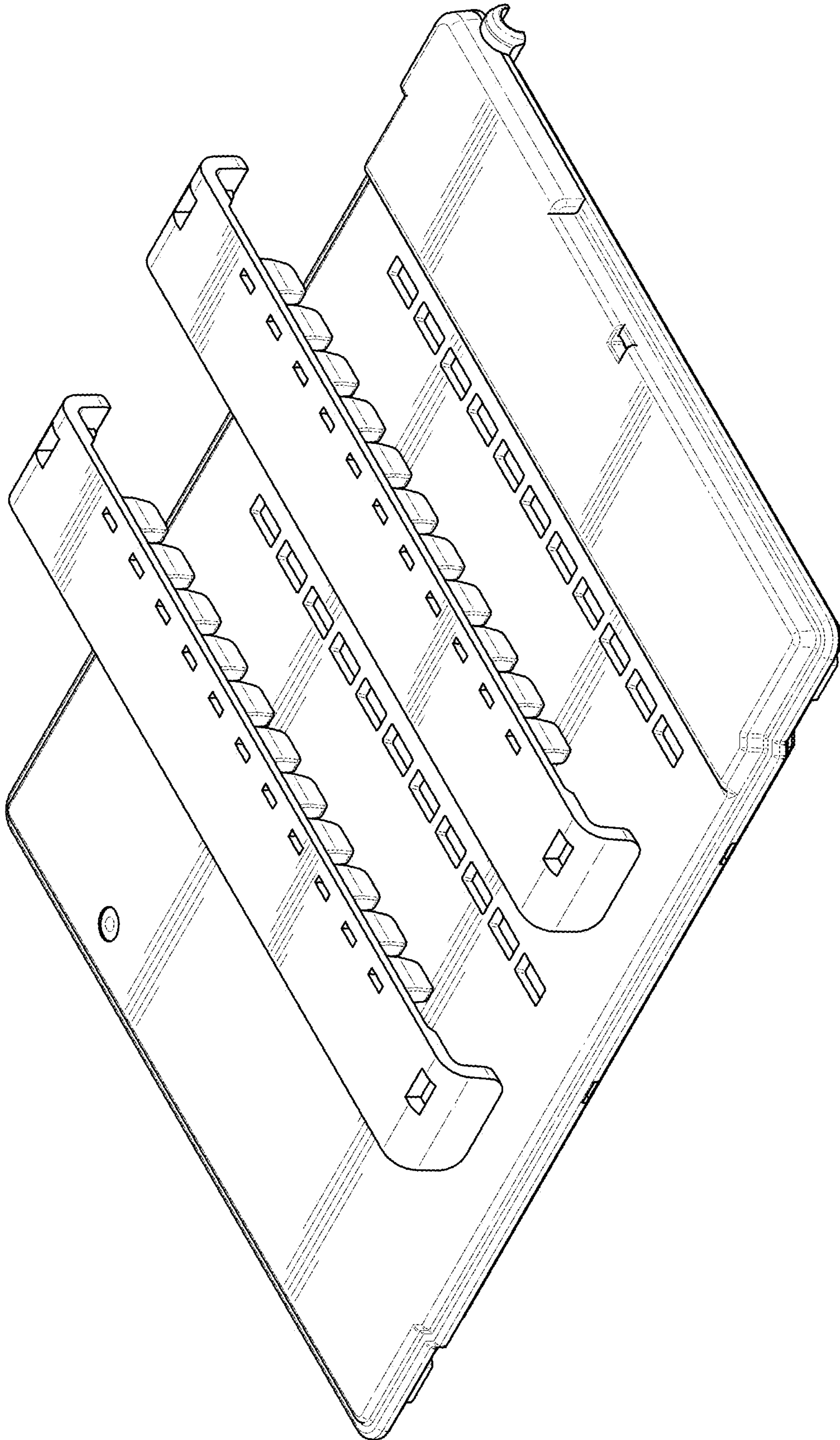


FIG. 9

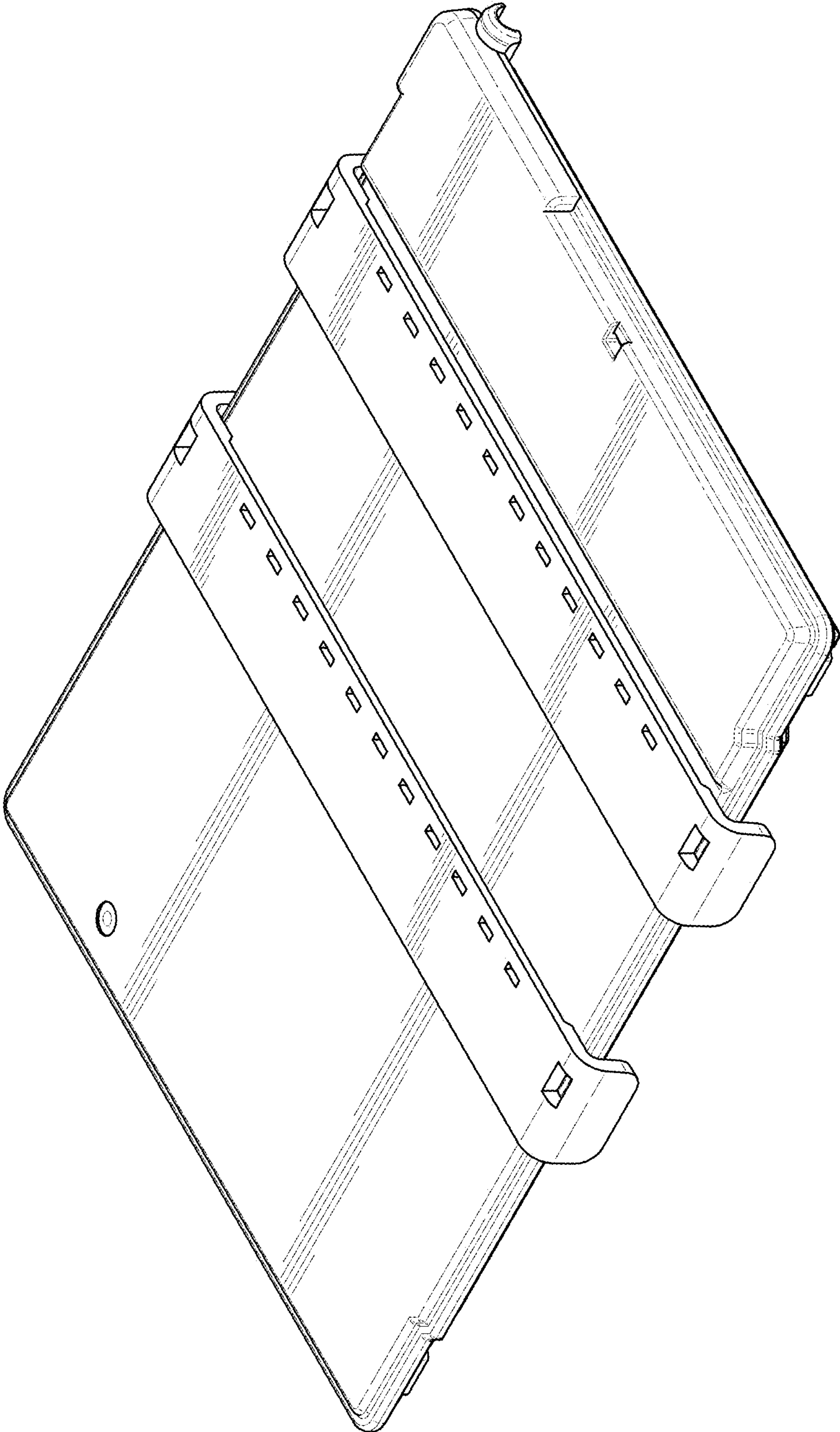


FIG. 10

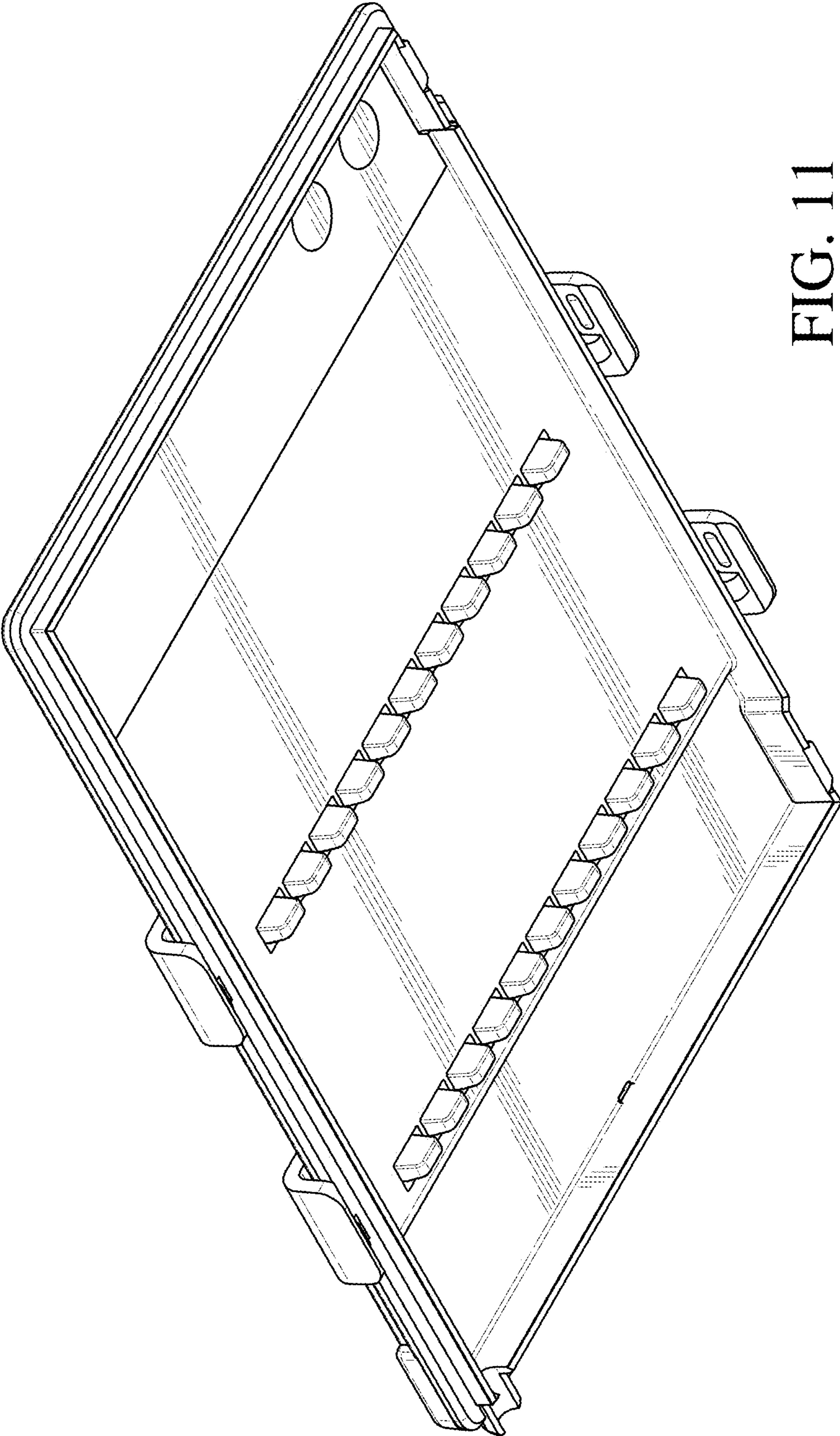


FIG. 11

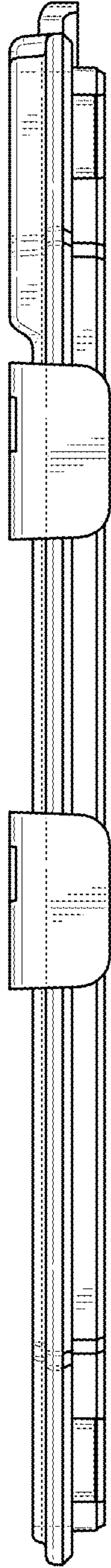


FIG. 12

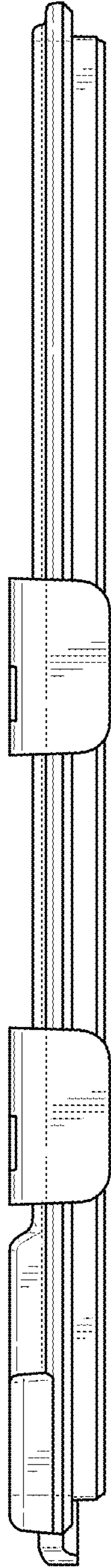


FIG. 13

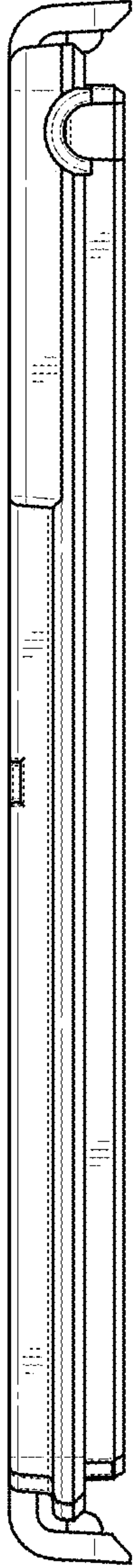


FIG. 14

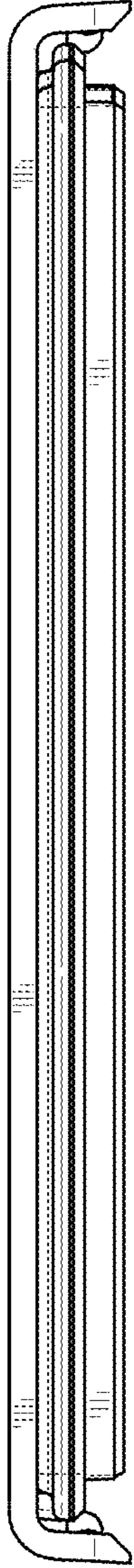


FIG. 15

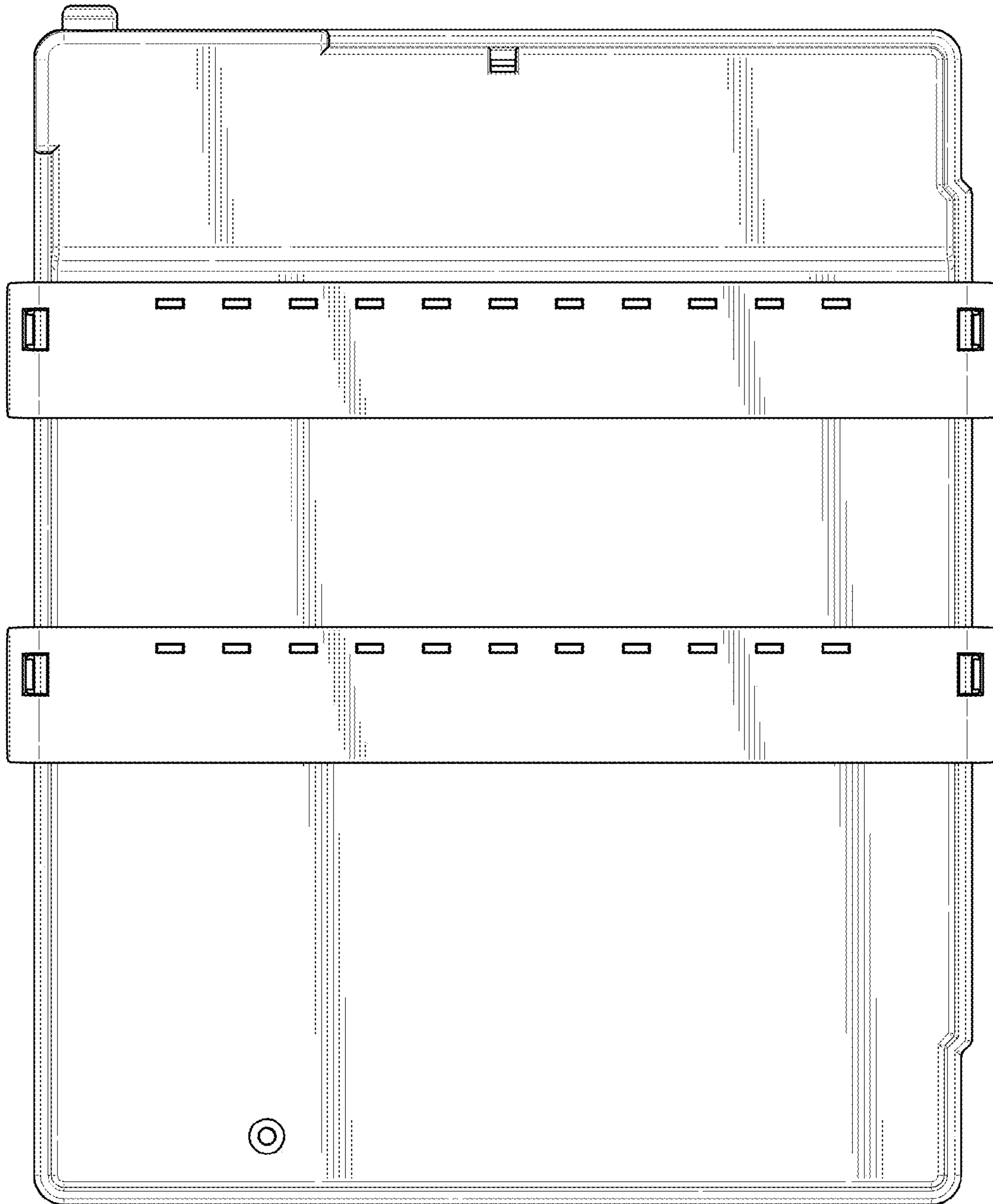


FIG. 16

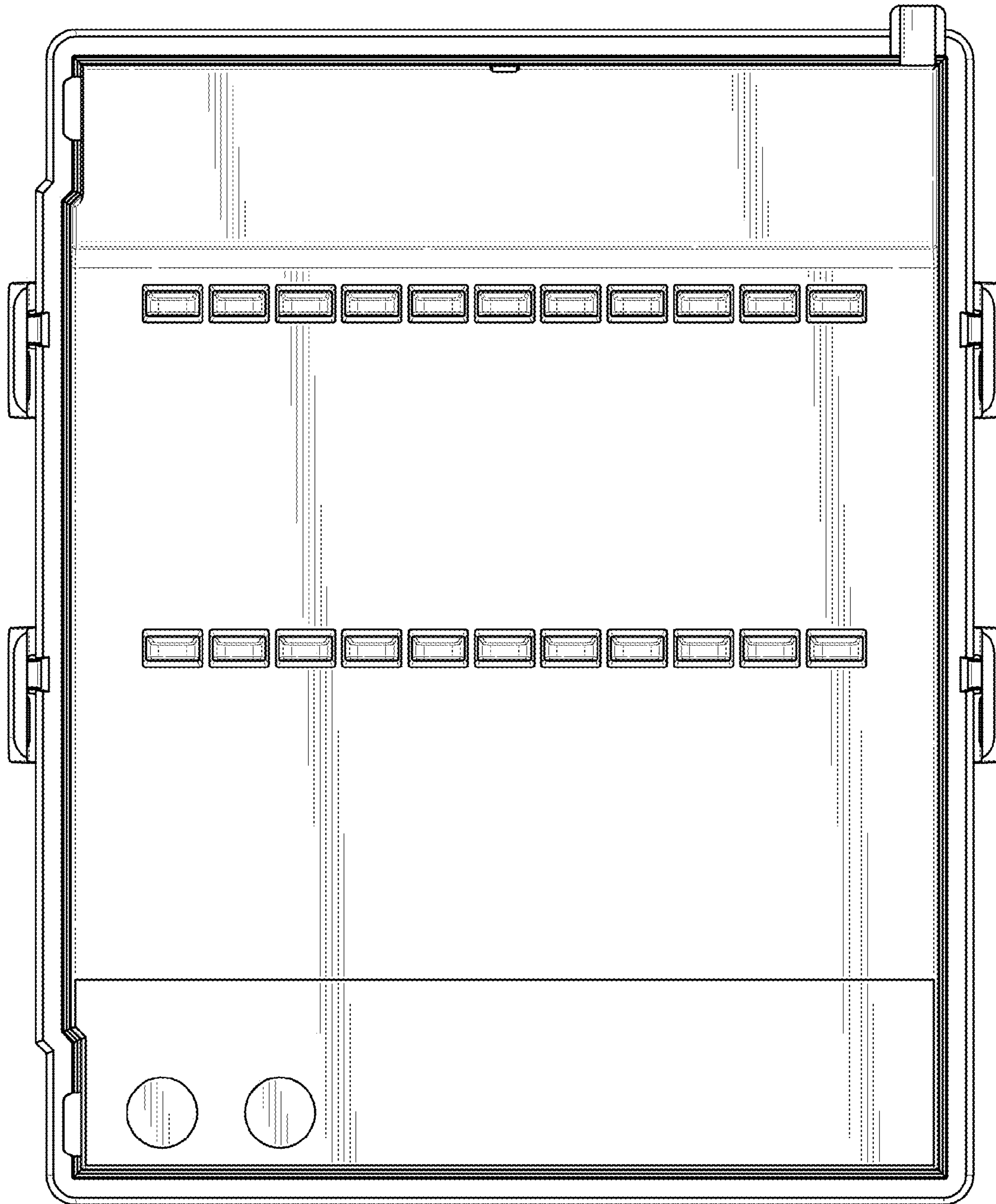


FIG. 17

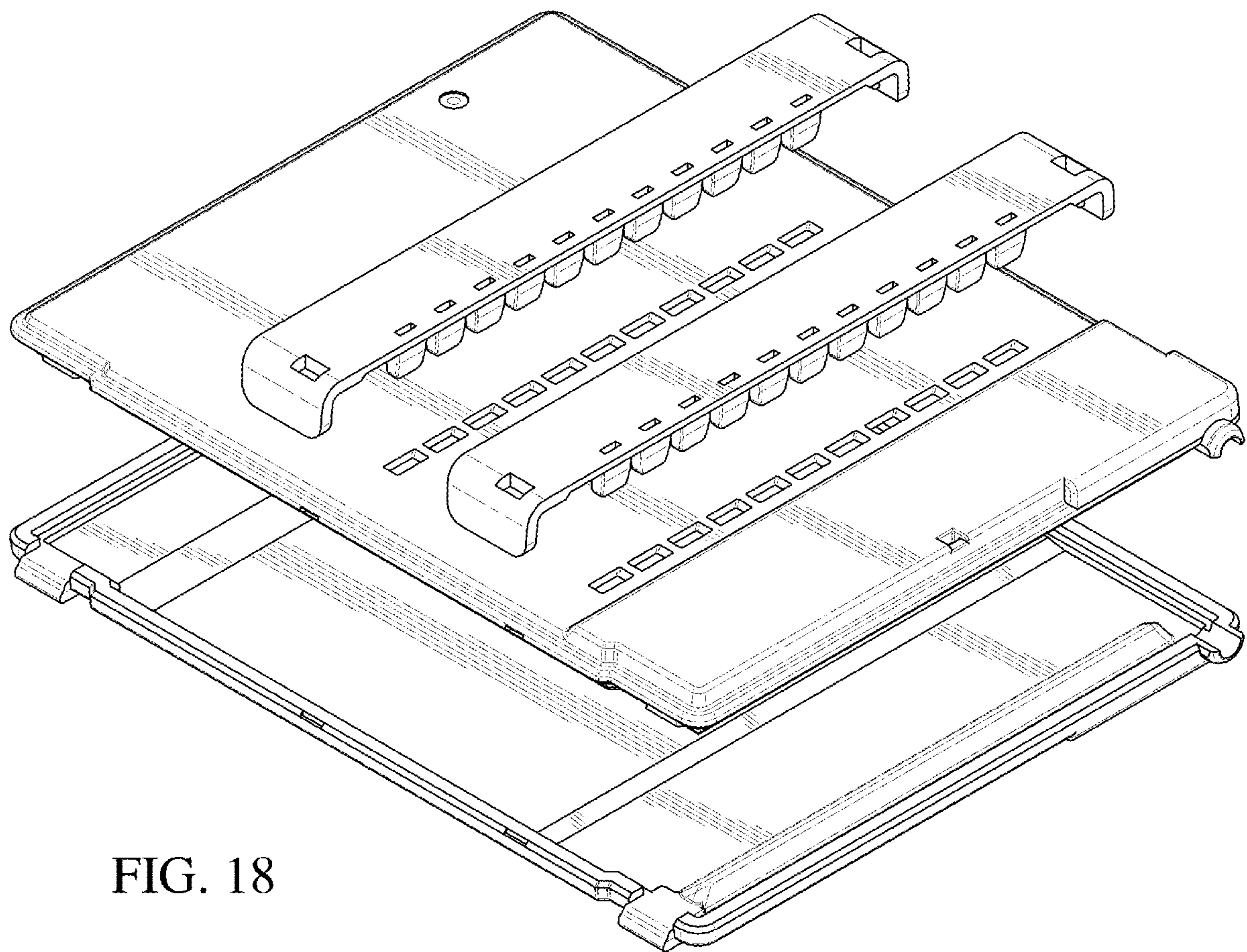


FIG. 18

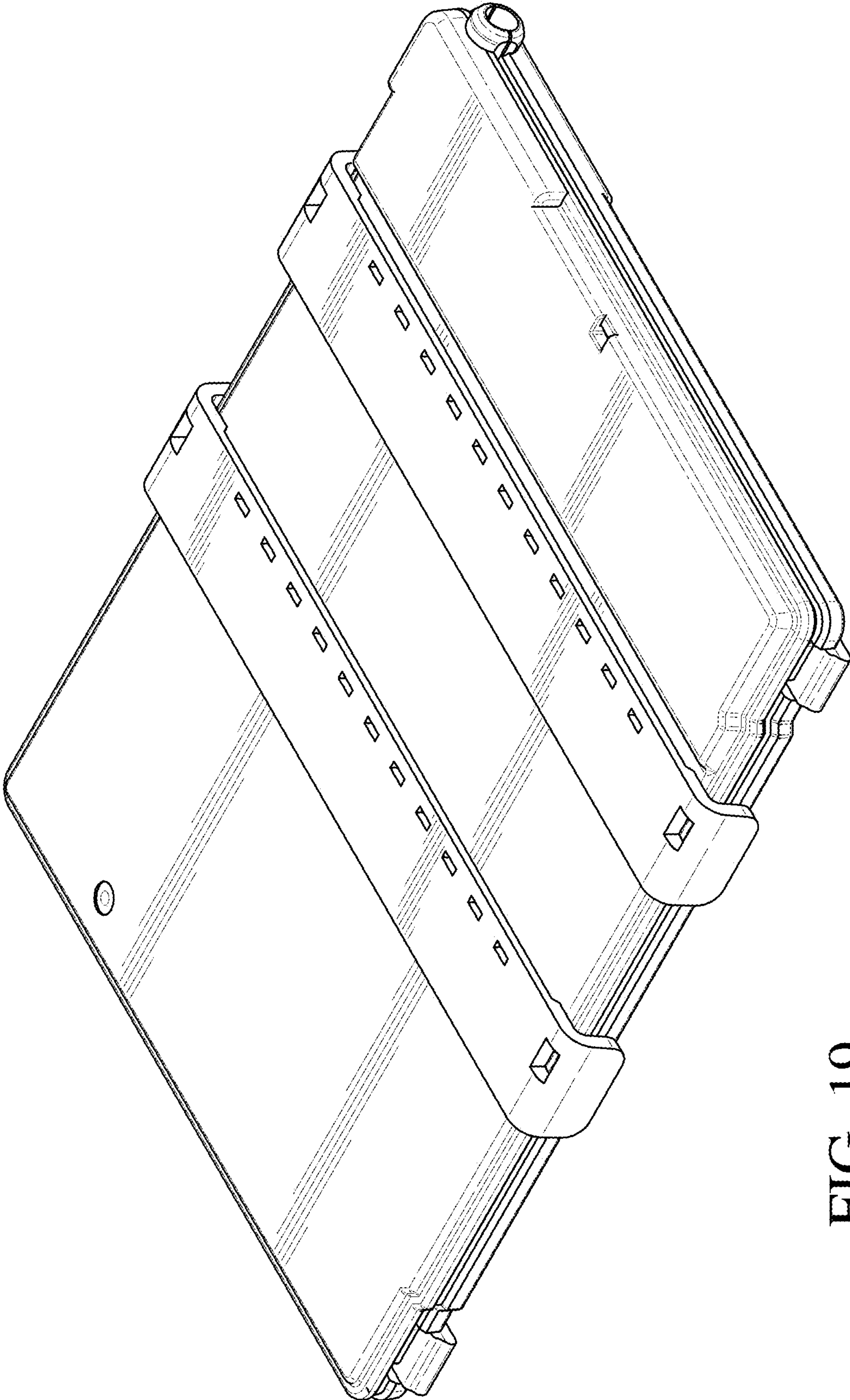


FIG. 19

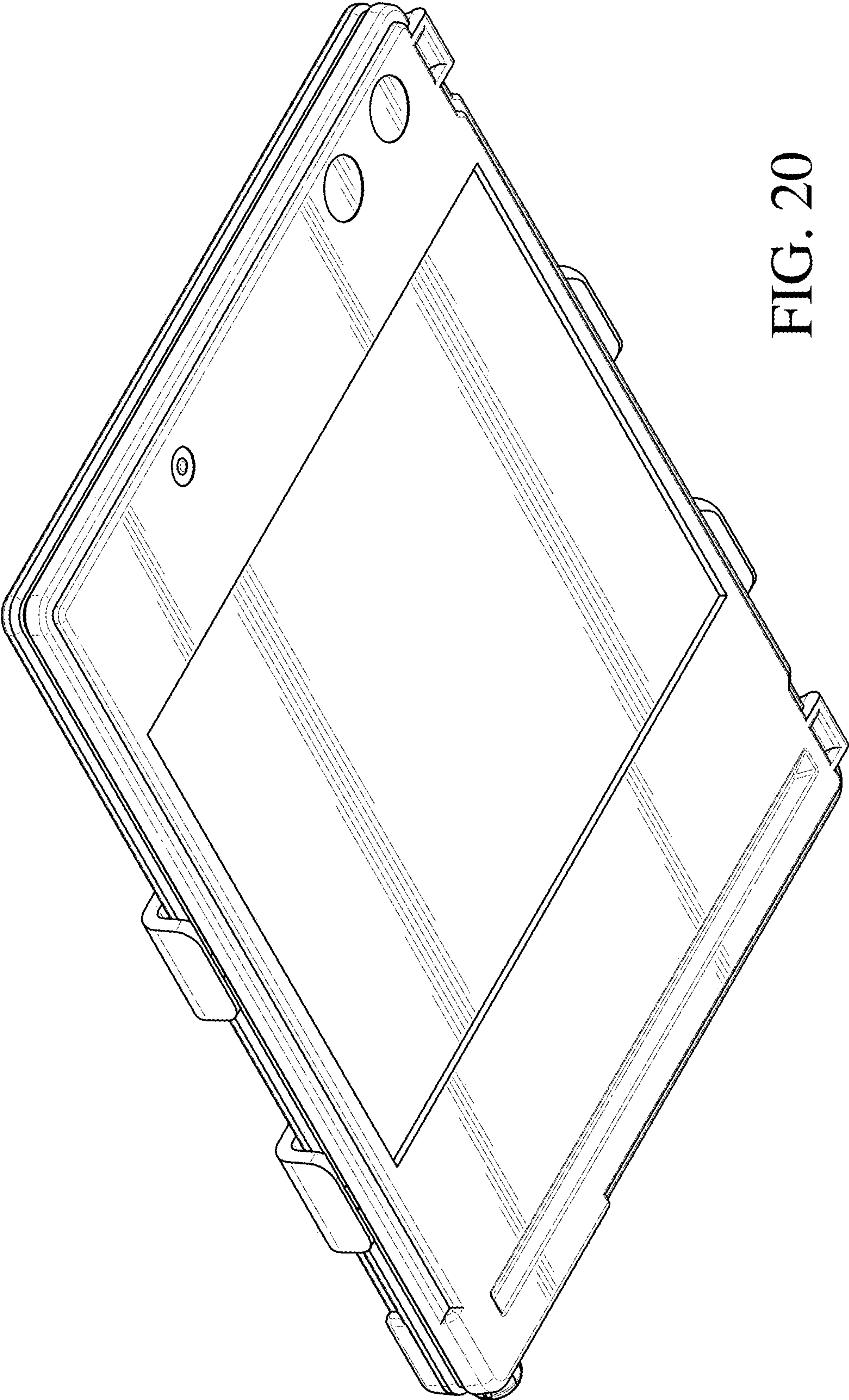


FIG. 20

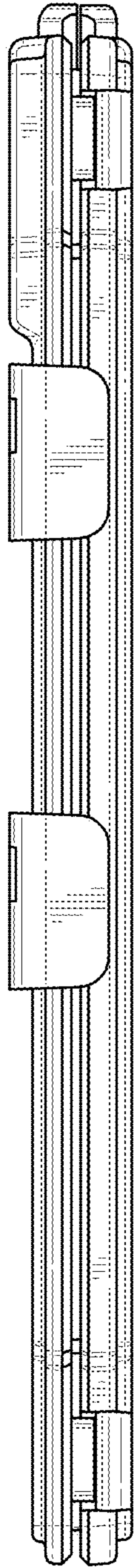


FIG. 21

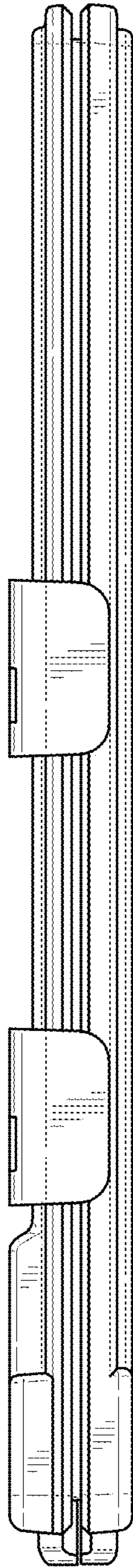


FIG. 22

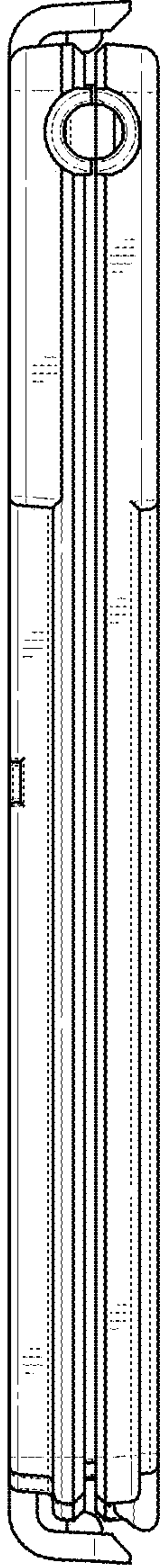


FIG. 23

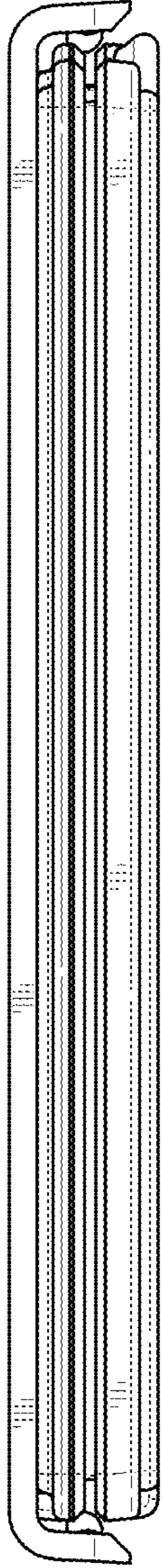


FIG. 24

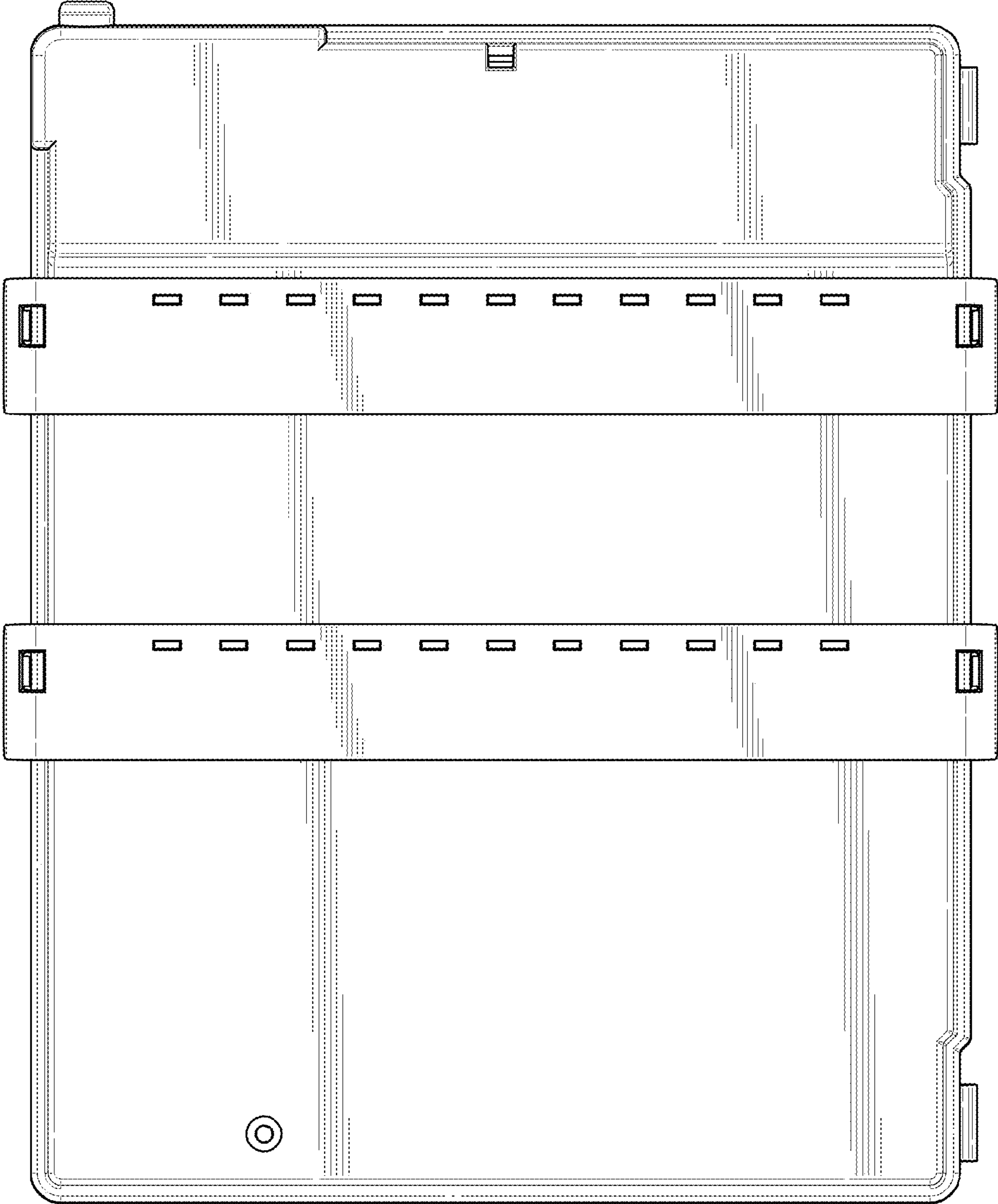


FIG. 25

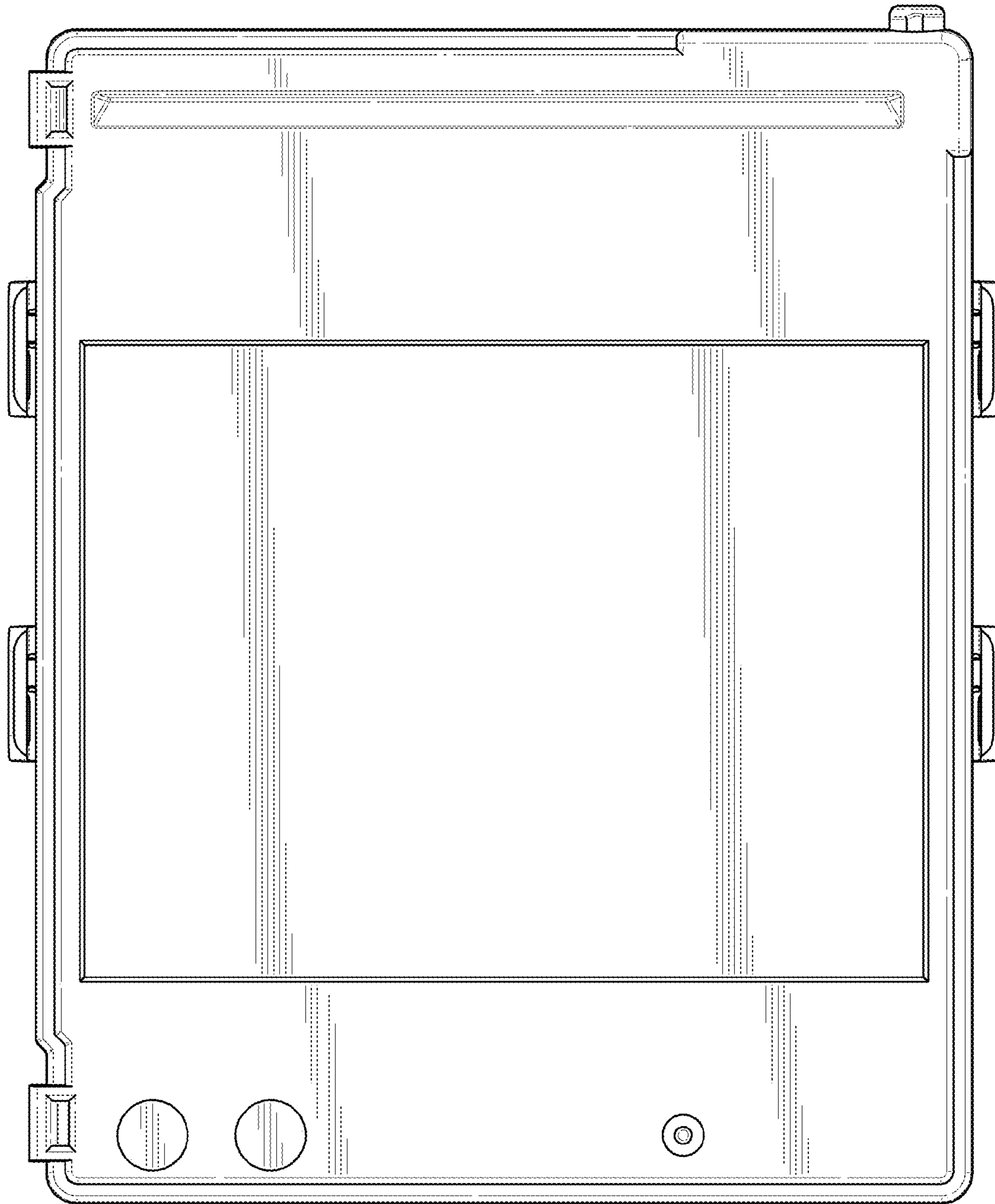


FIG. 26

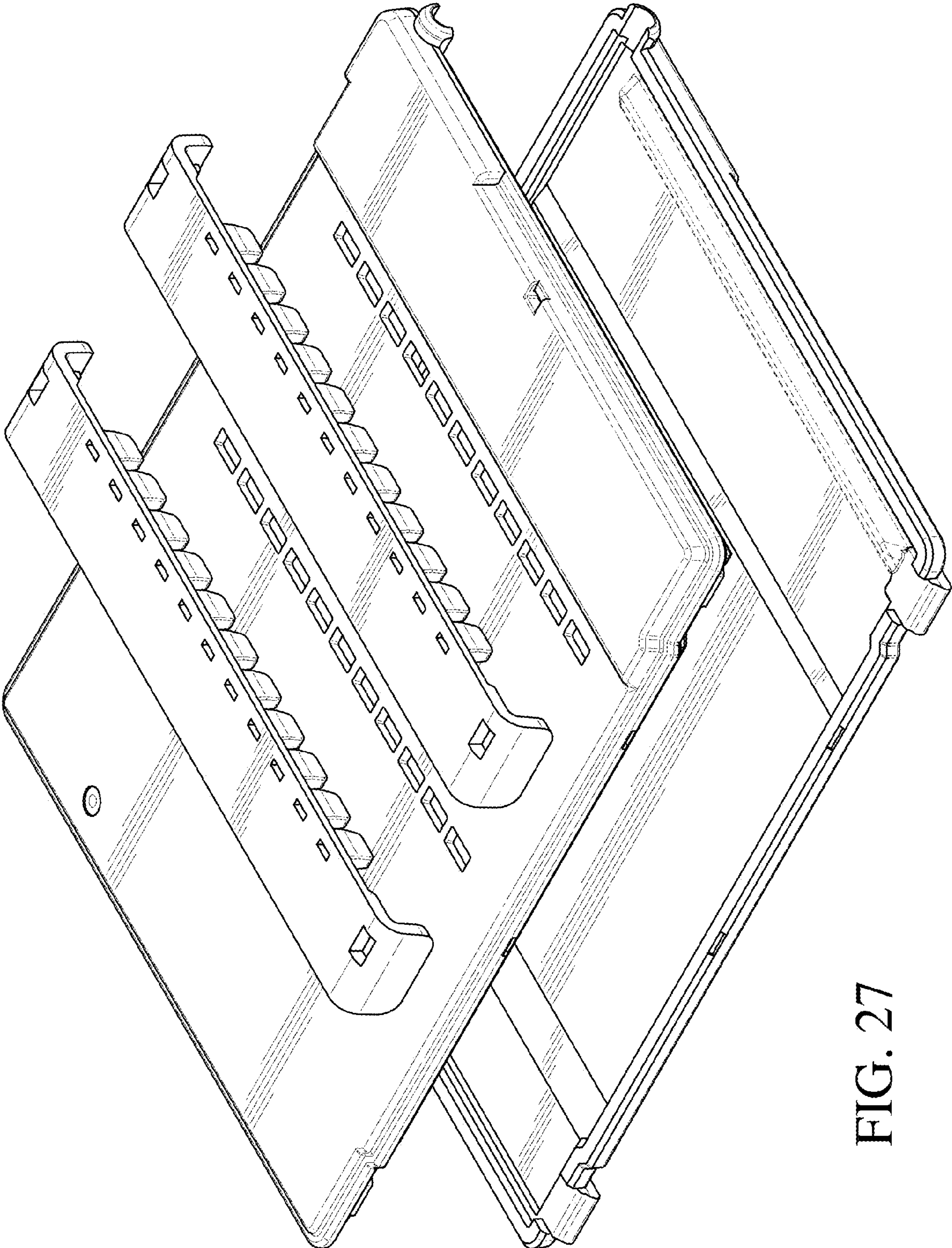


FIG. 27

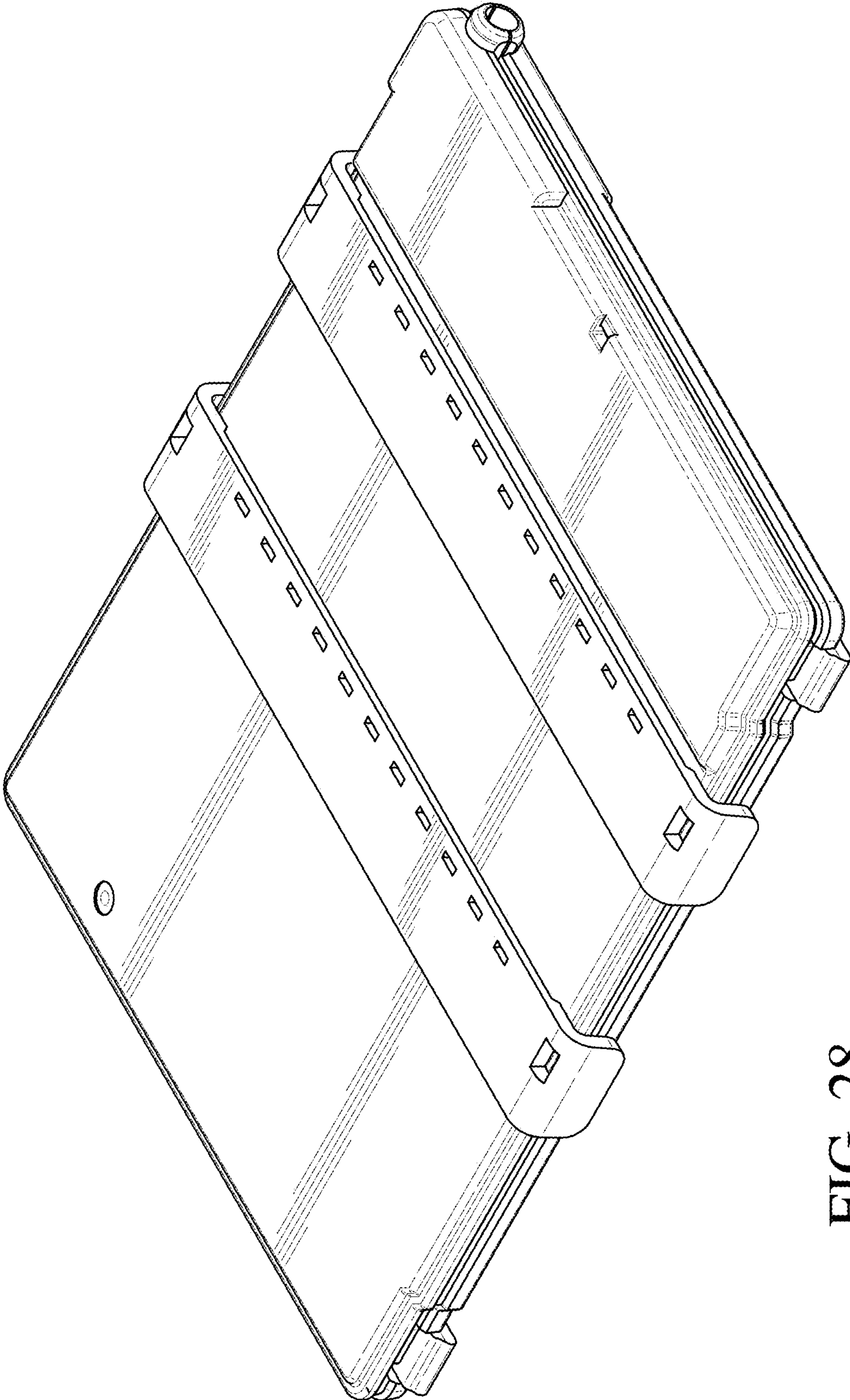


FIG. 28

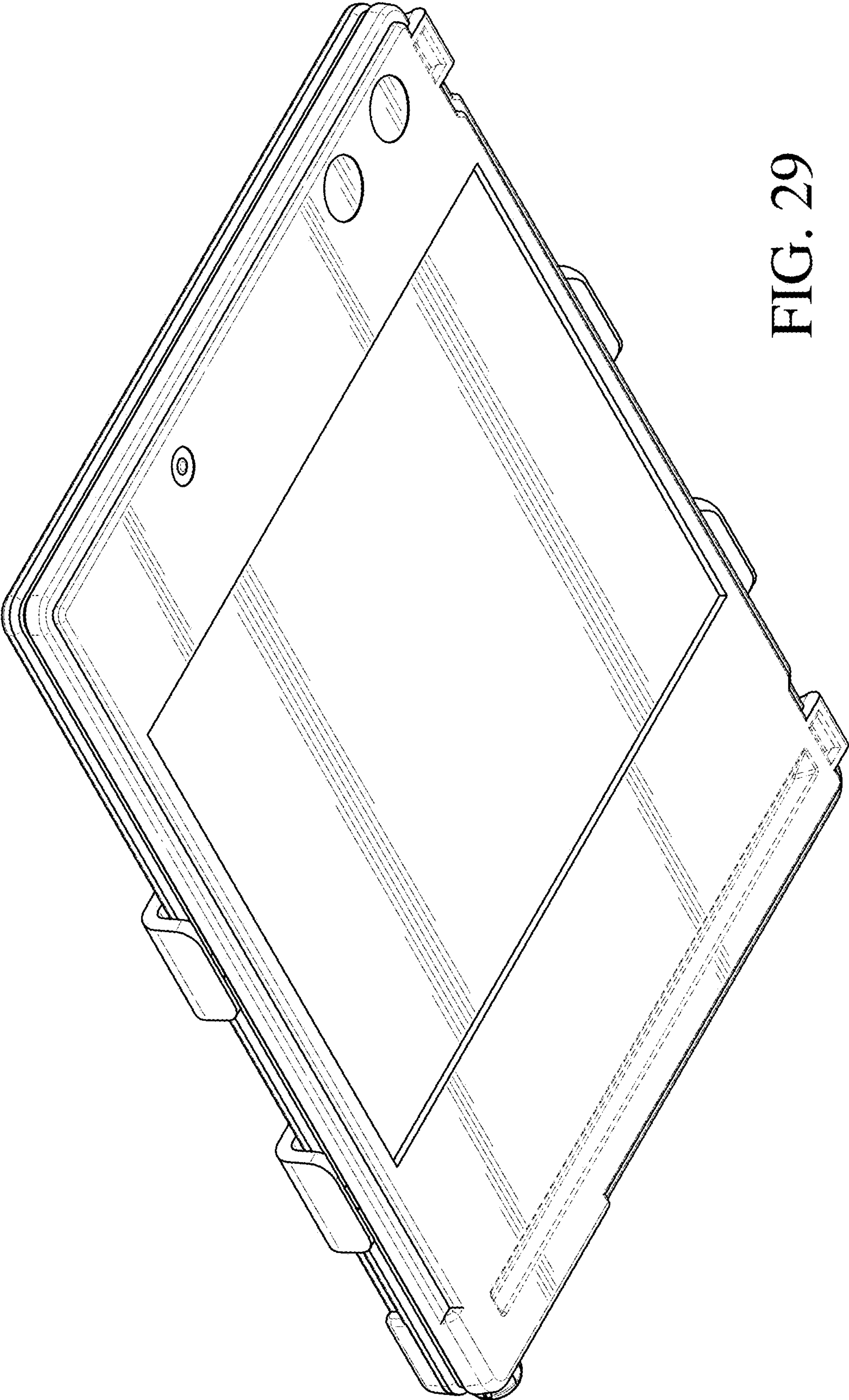


FIG. 29

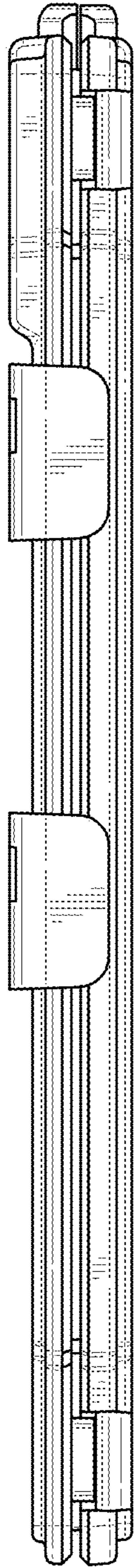


FIG. 30

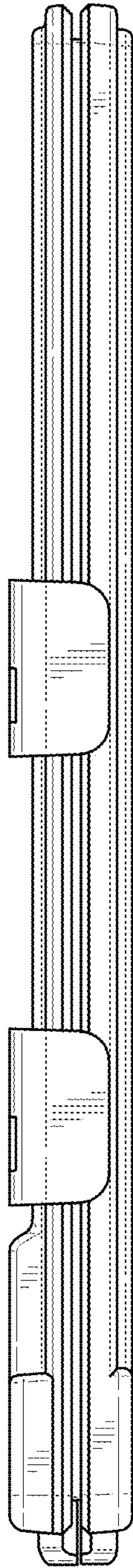


FIG. 31

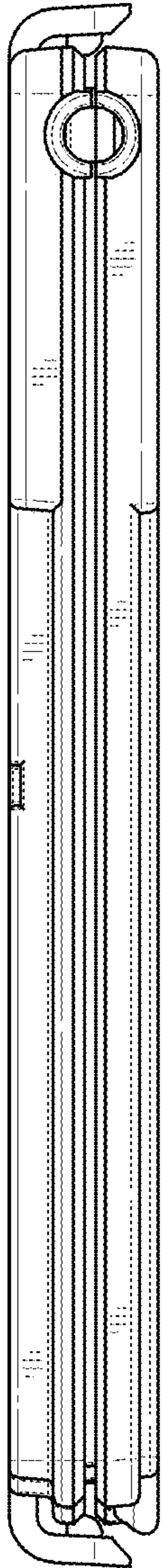


FIG. 32

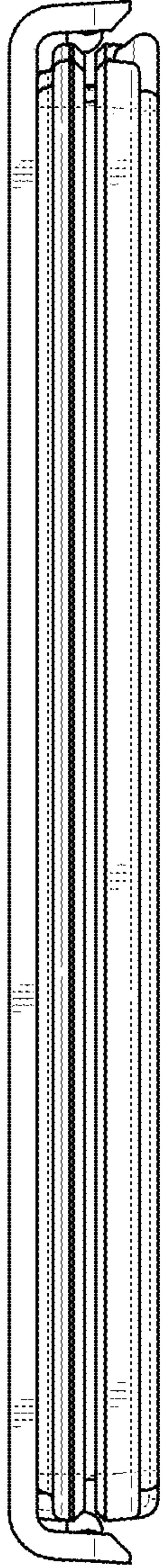


FIG. 33

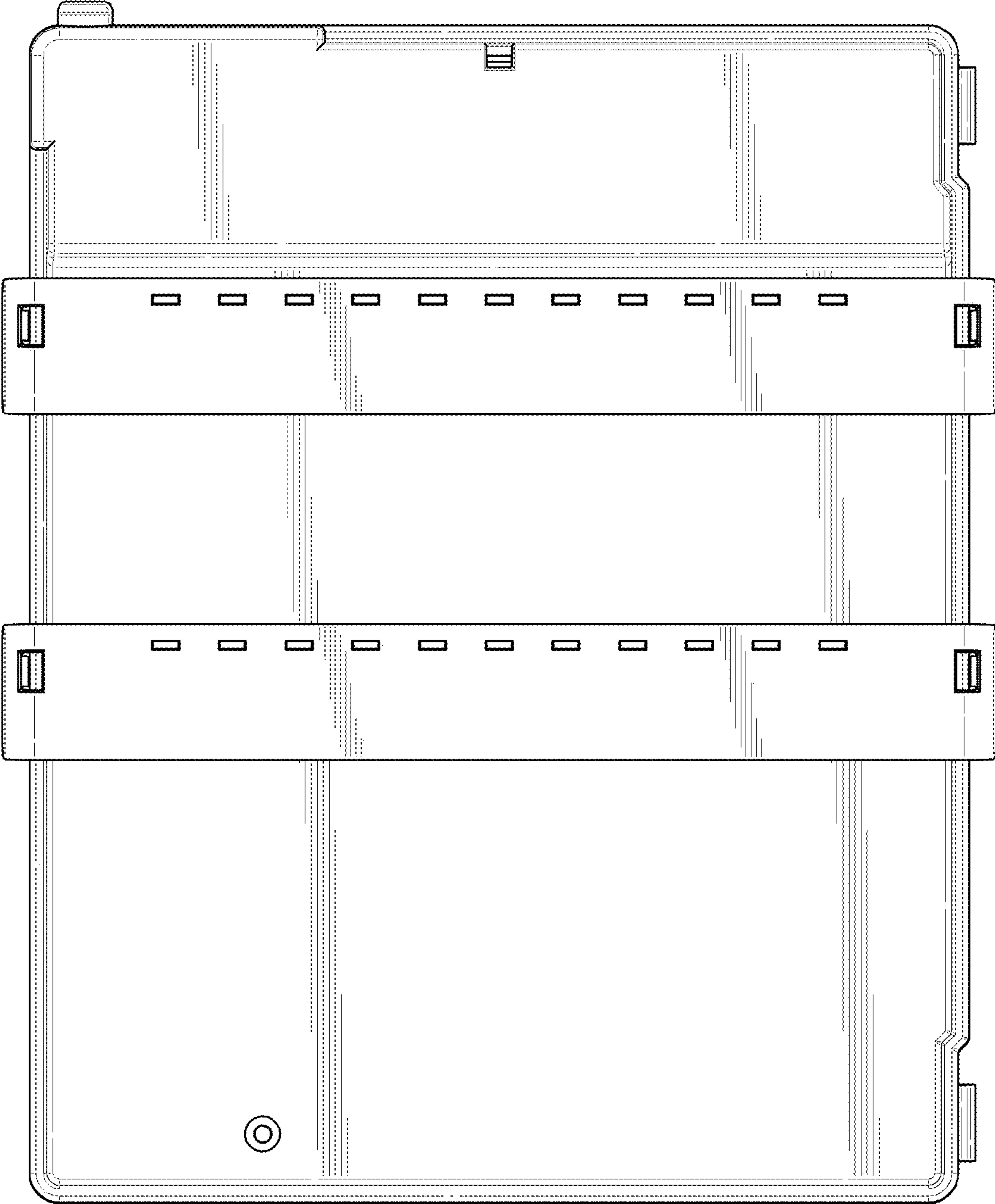


FIG. 34

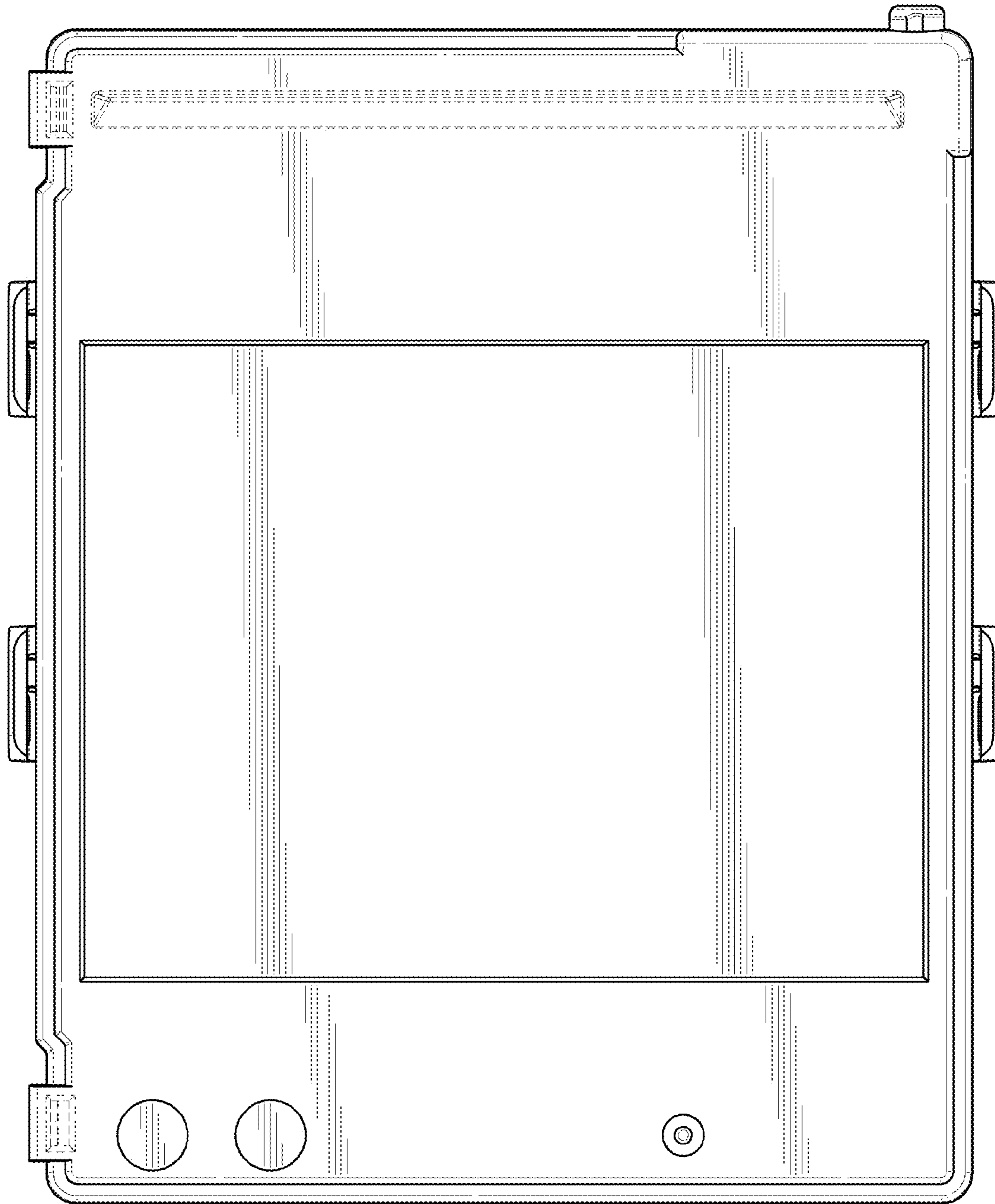


FIG. 35

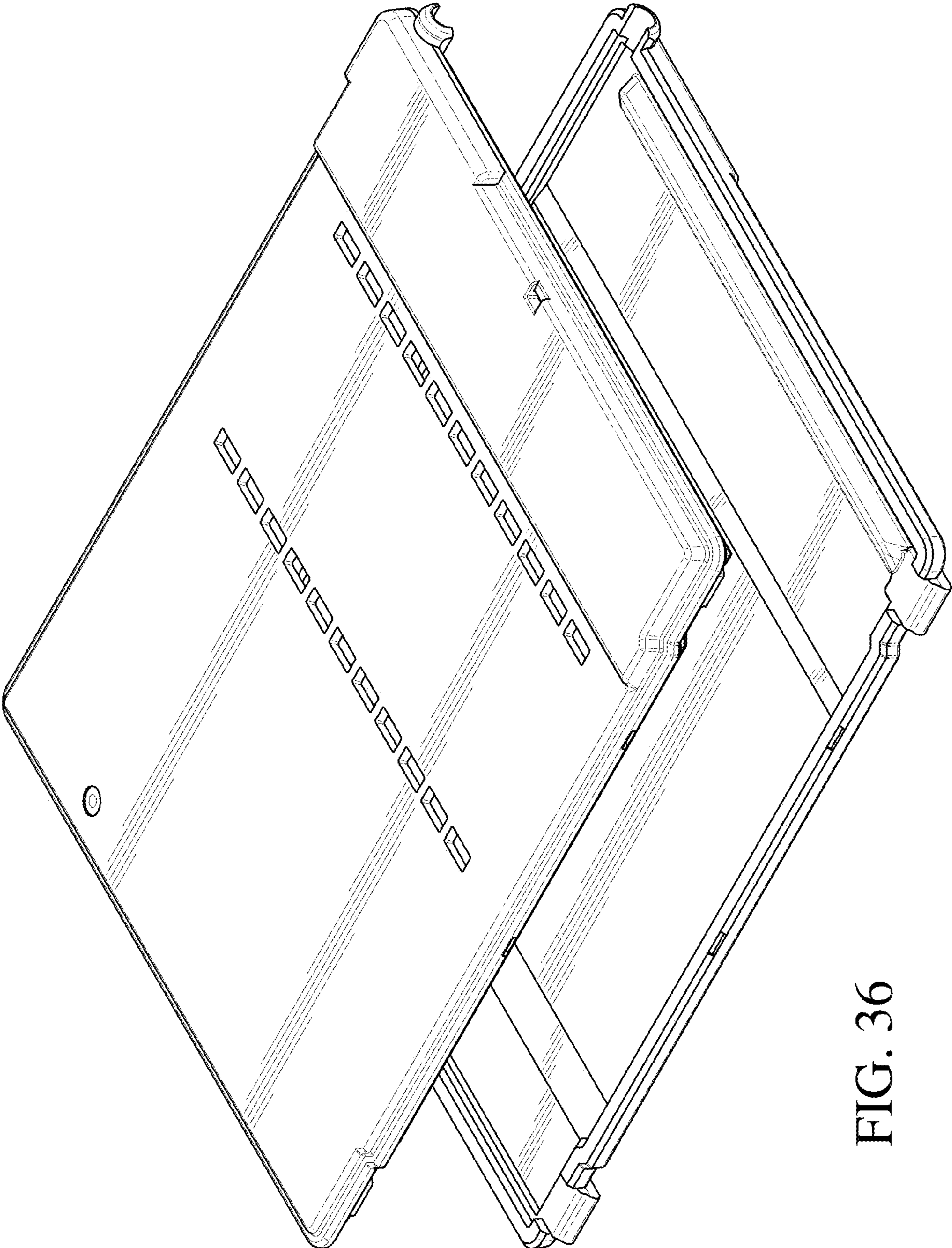


FIG. 36

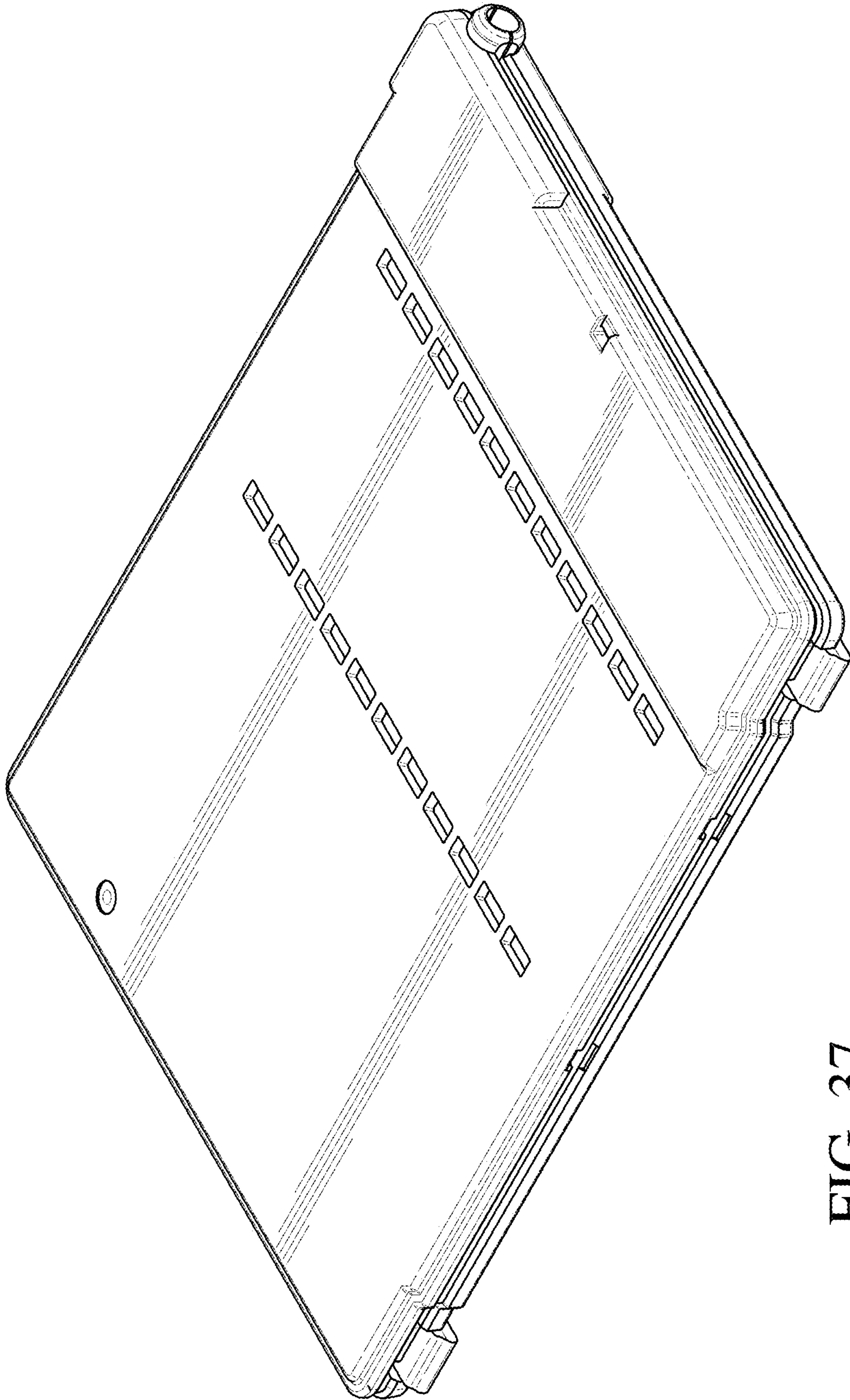


FIG. 37

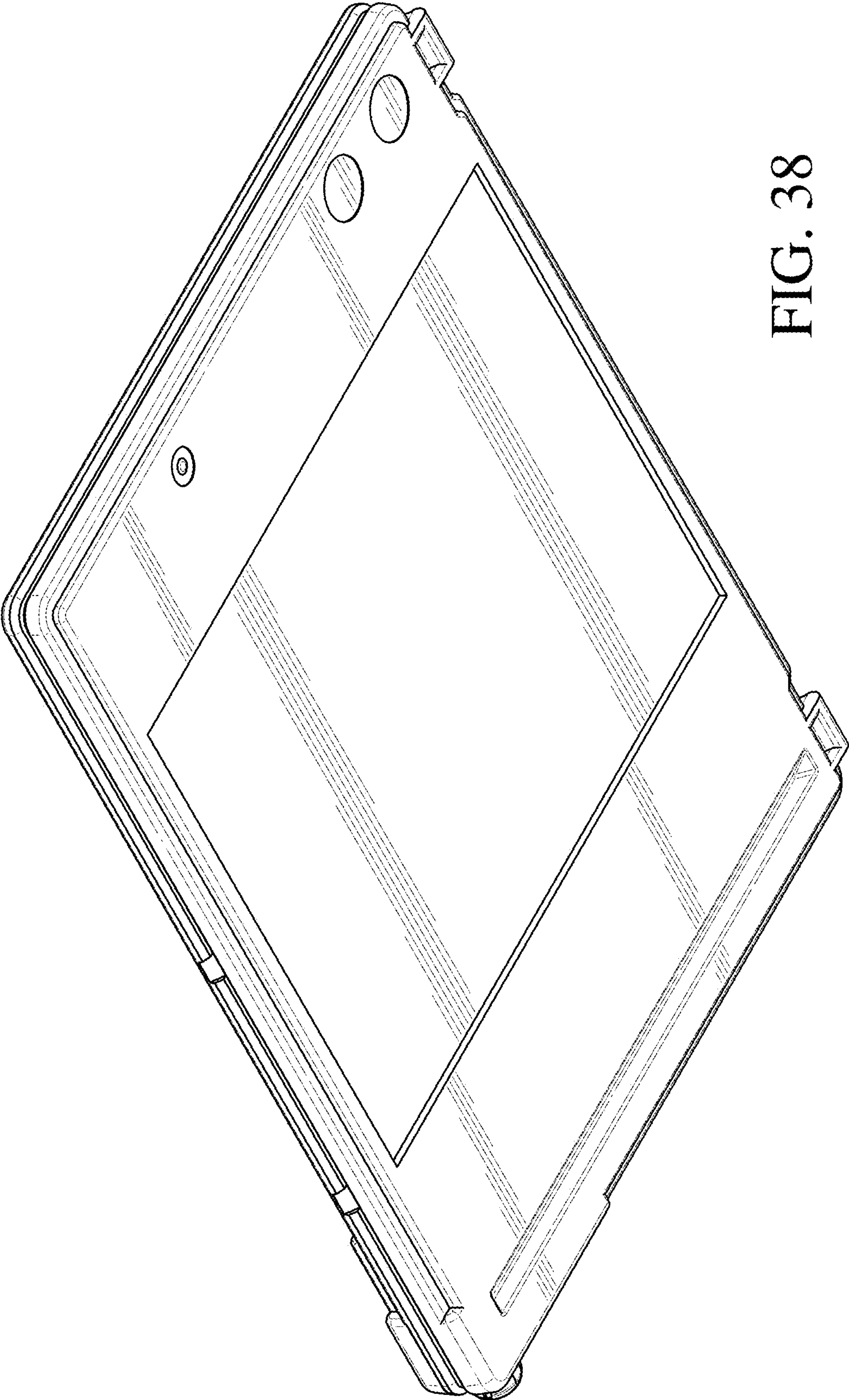


FIG. 38

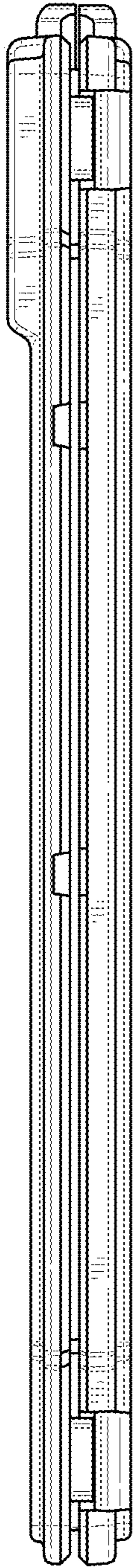


FIG. 39

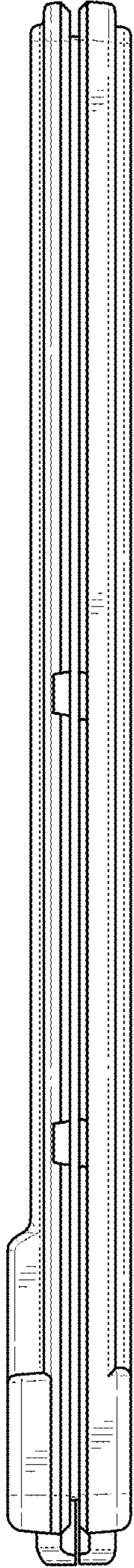


FIG. 40

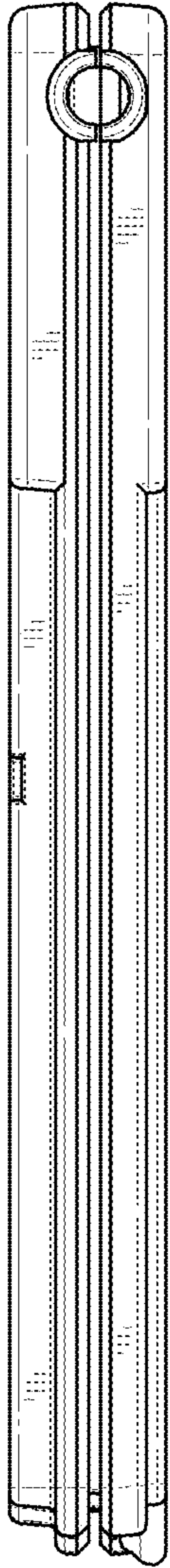


FIG. 41

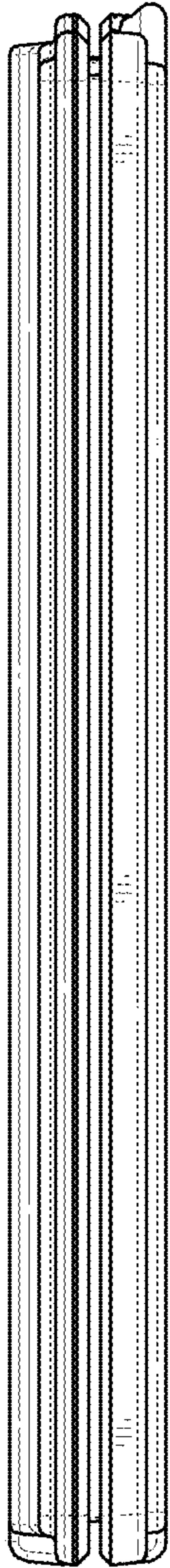


FIG. 42

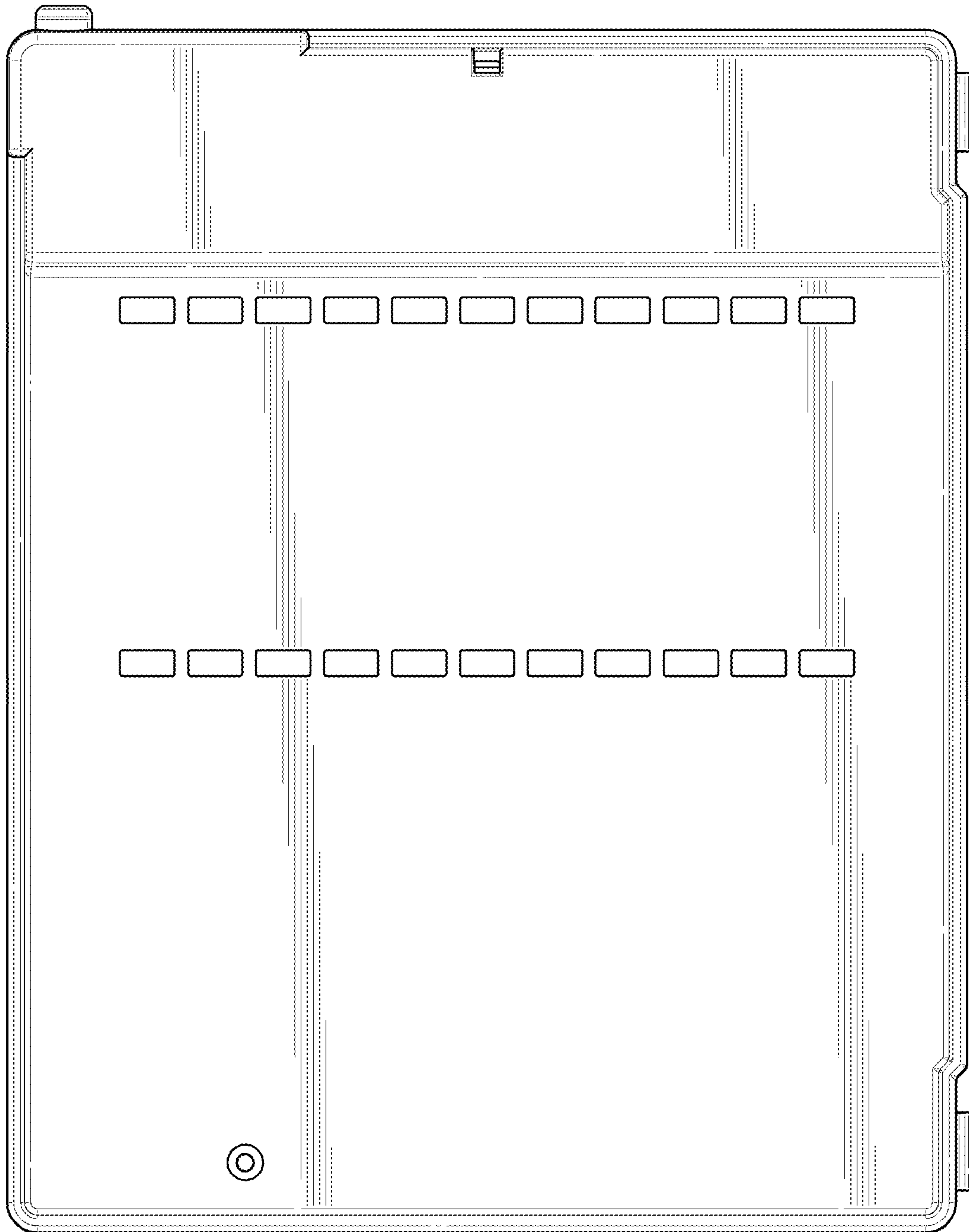


FIG. 43

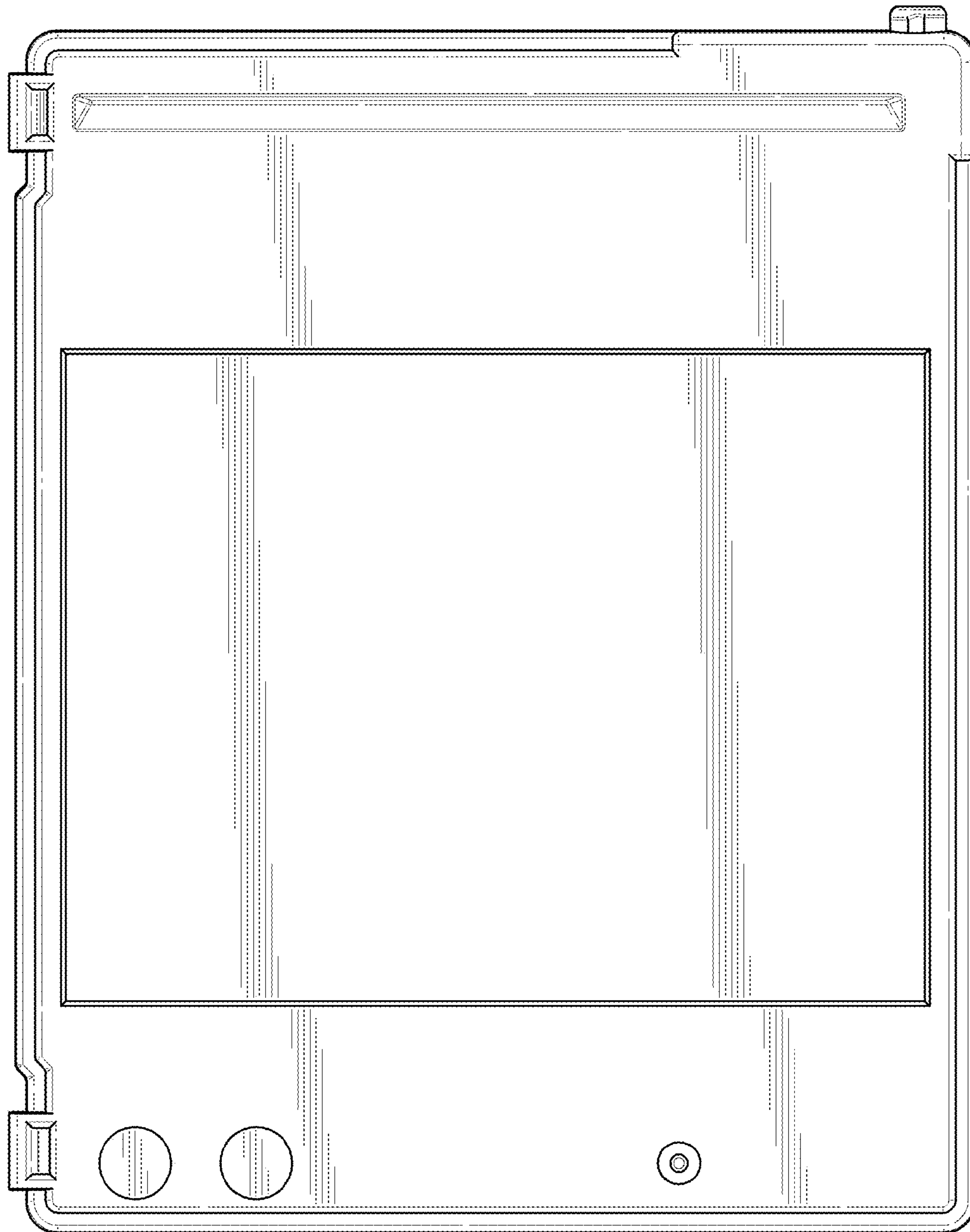


FIG. 44

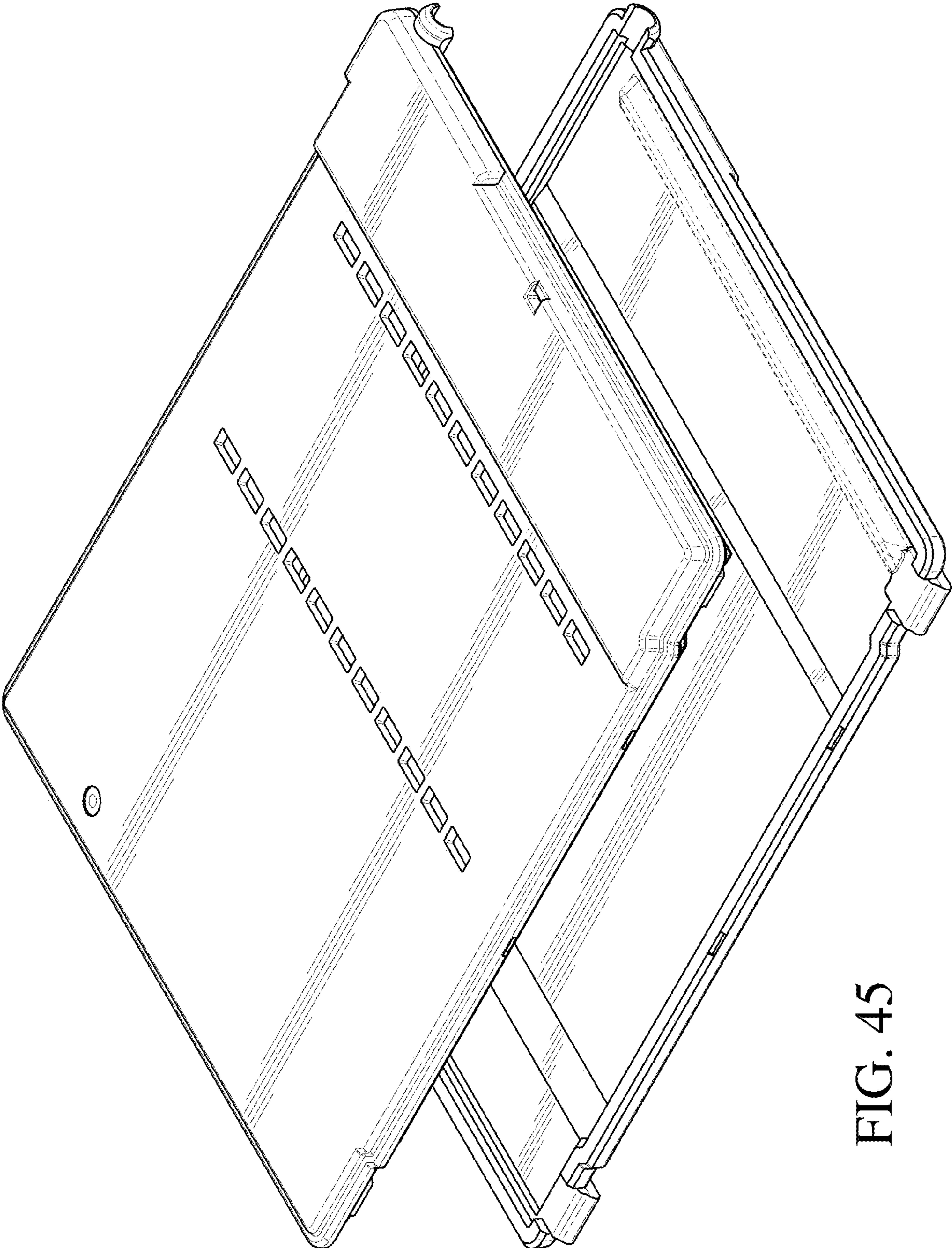


FIG. 45

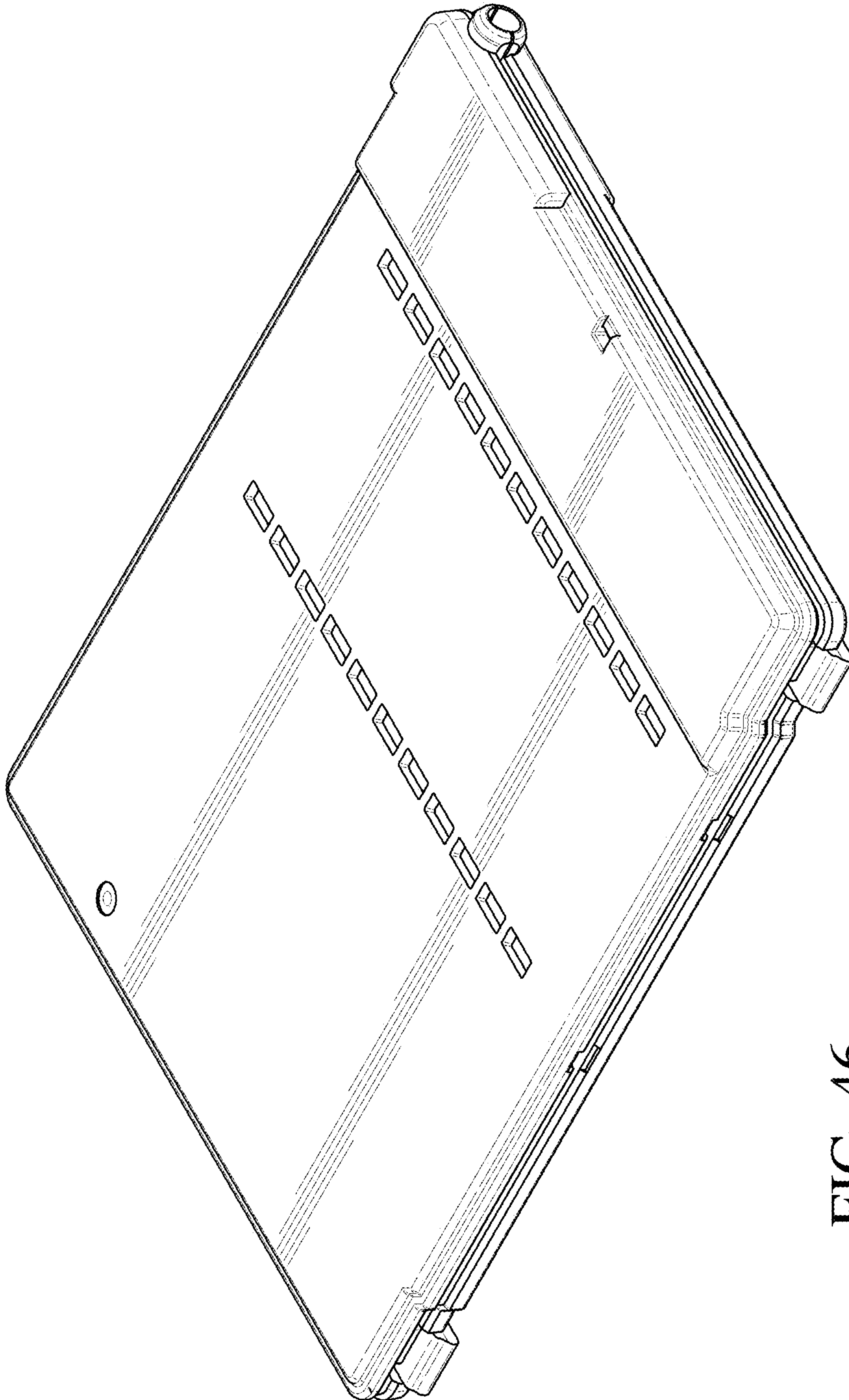


FIG. 46

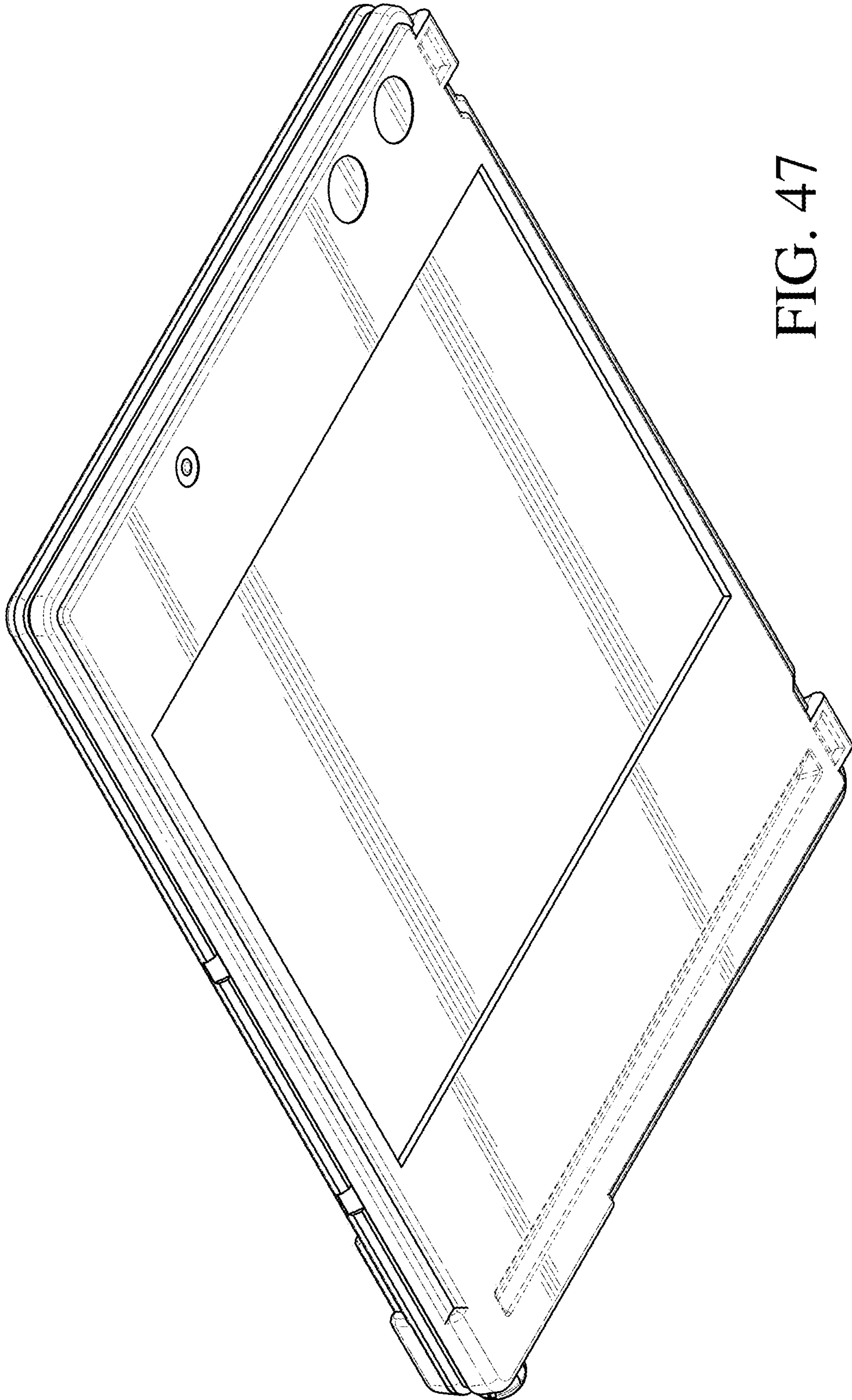


FIG. 47

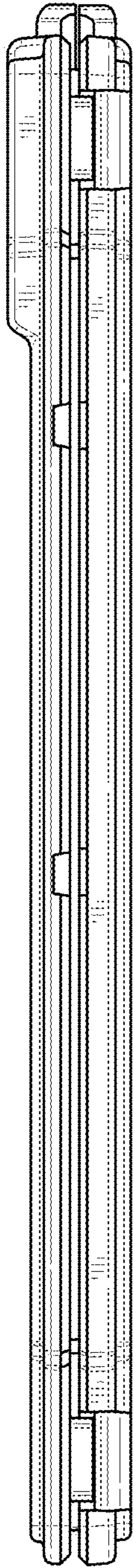


FIG. 48

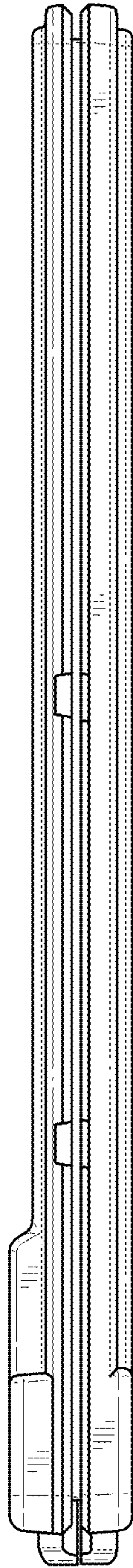


FIG. 49

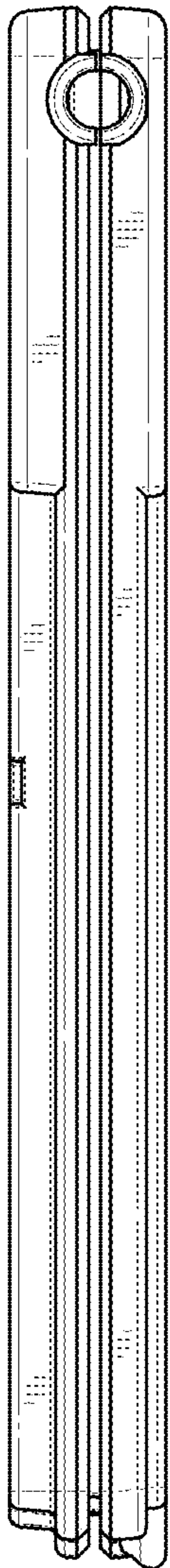


FIG. 50

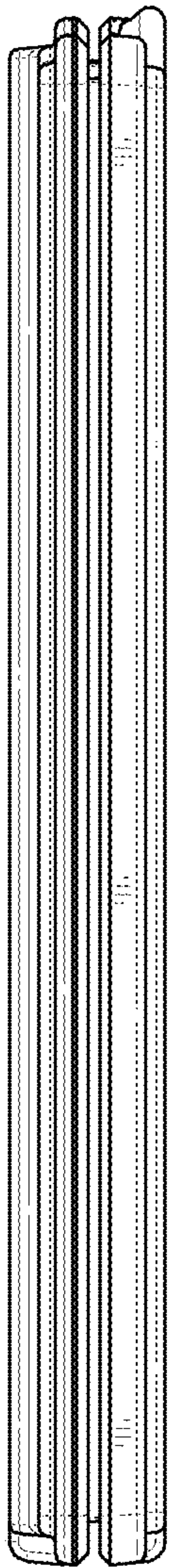


FIG. 51

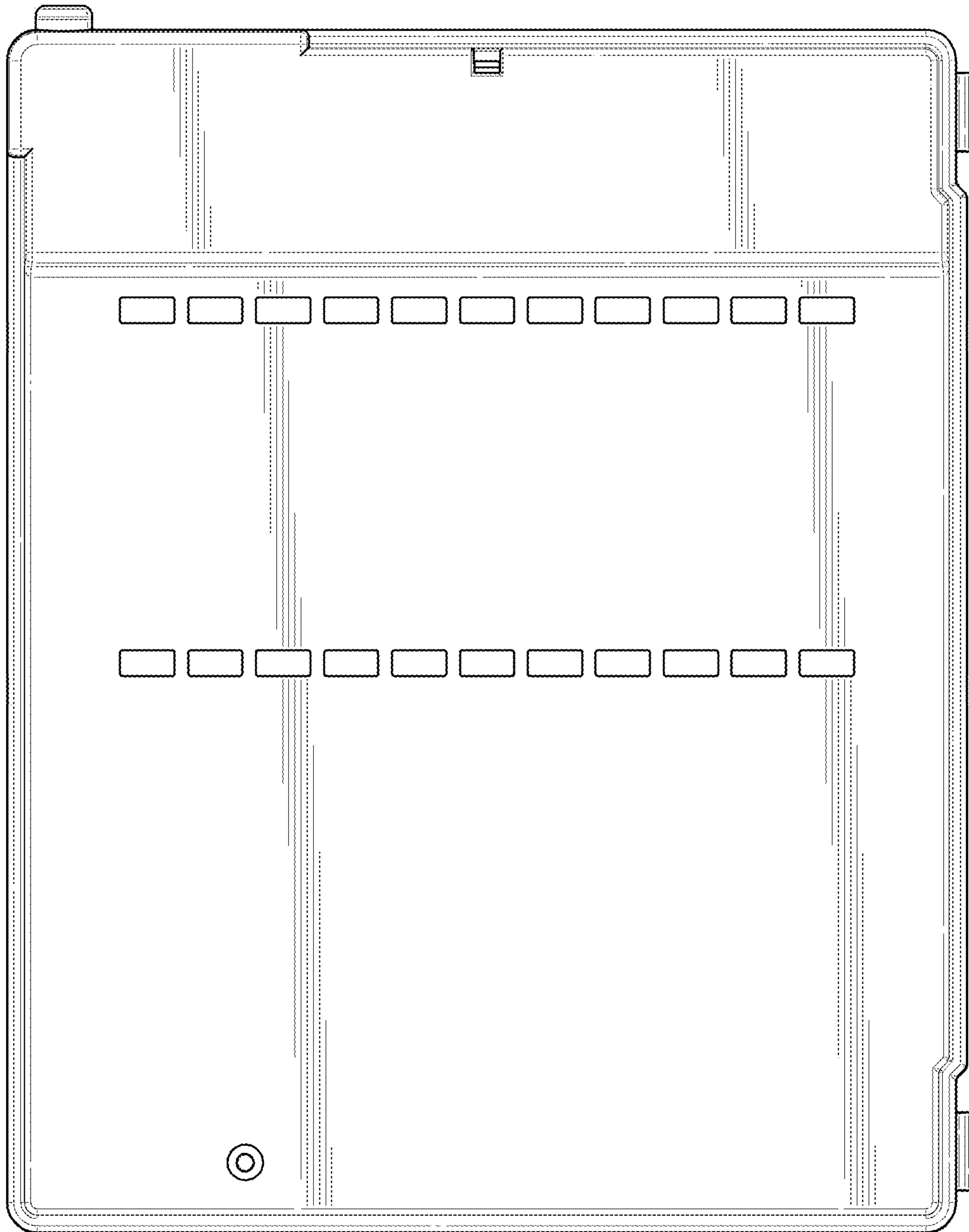


FIG. 52

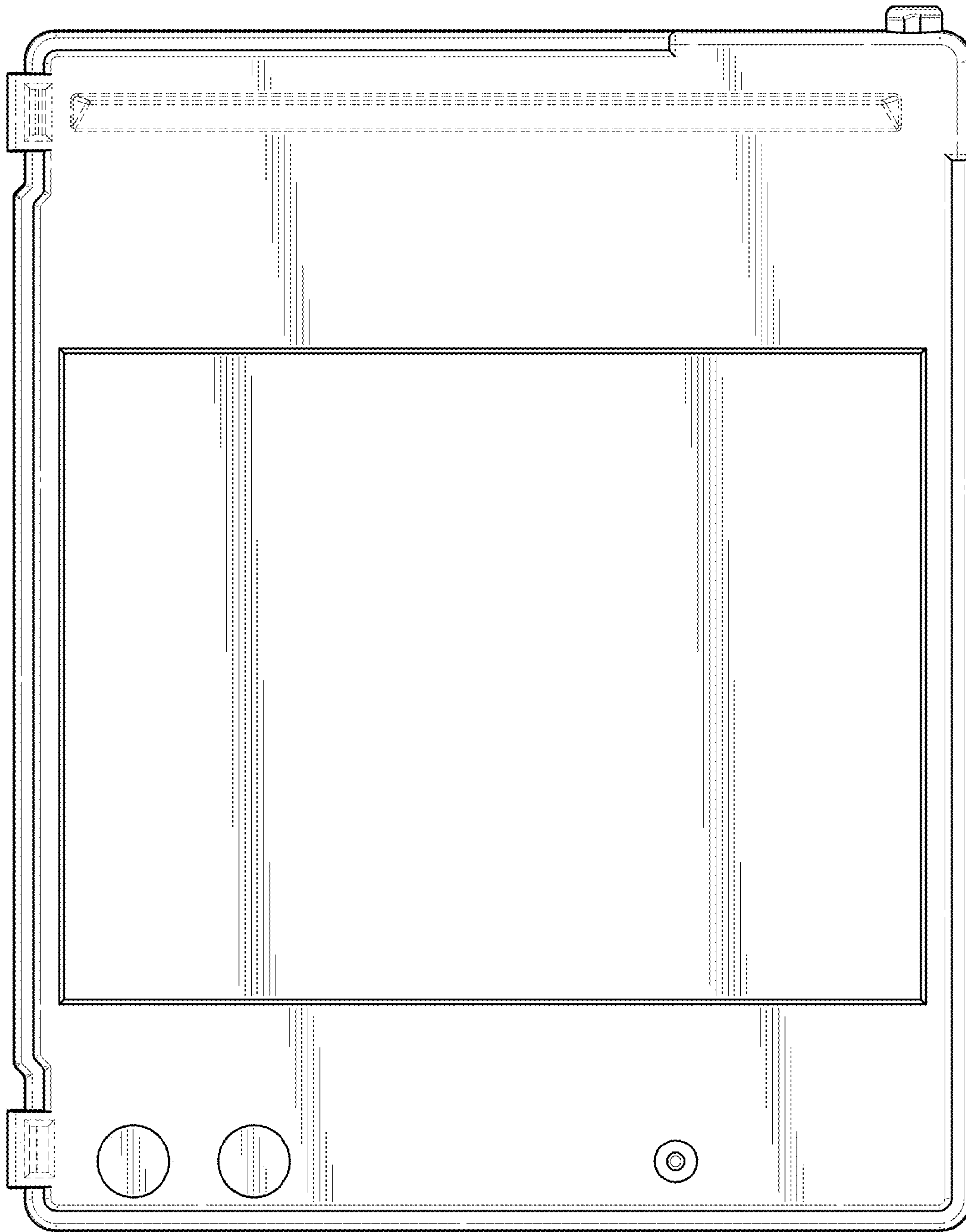


FIG. 53

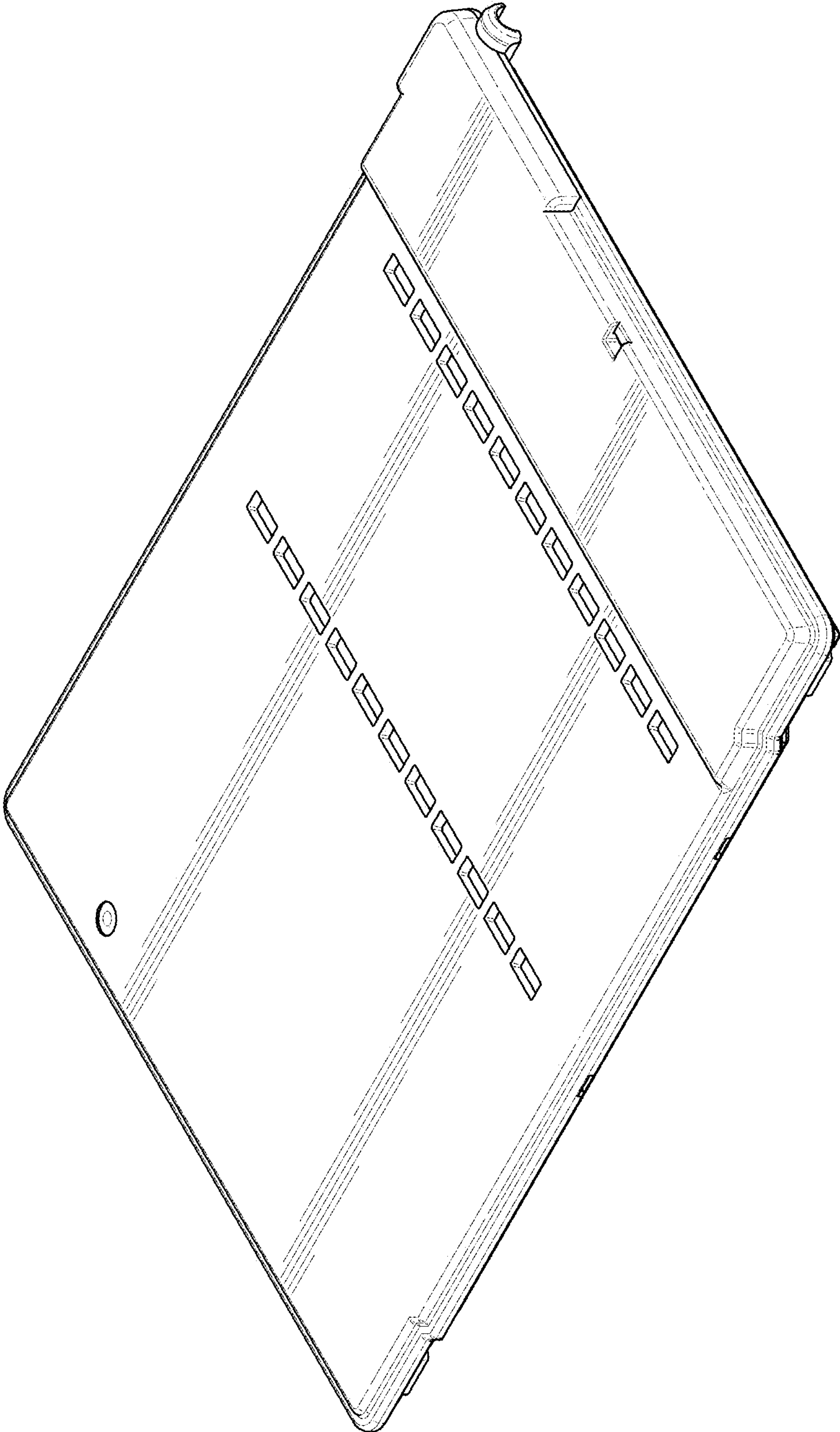


FIG. 54

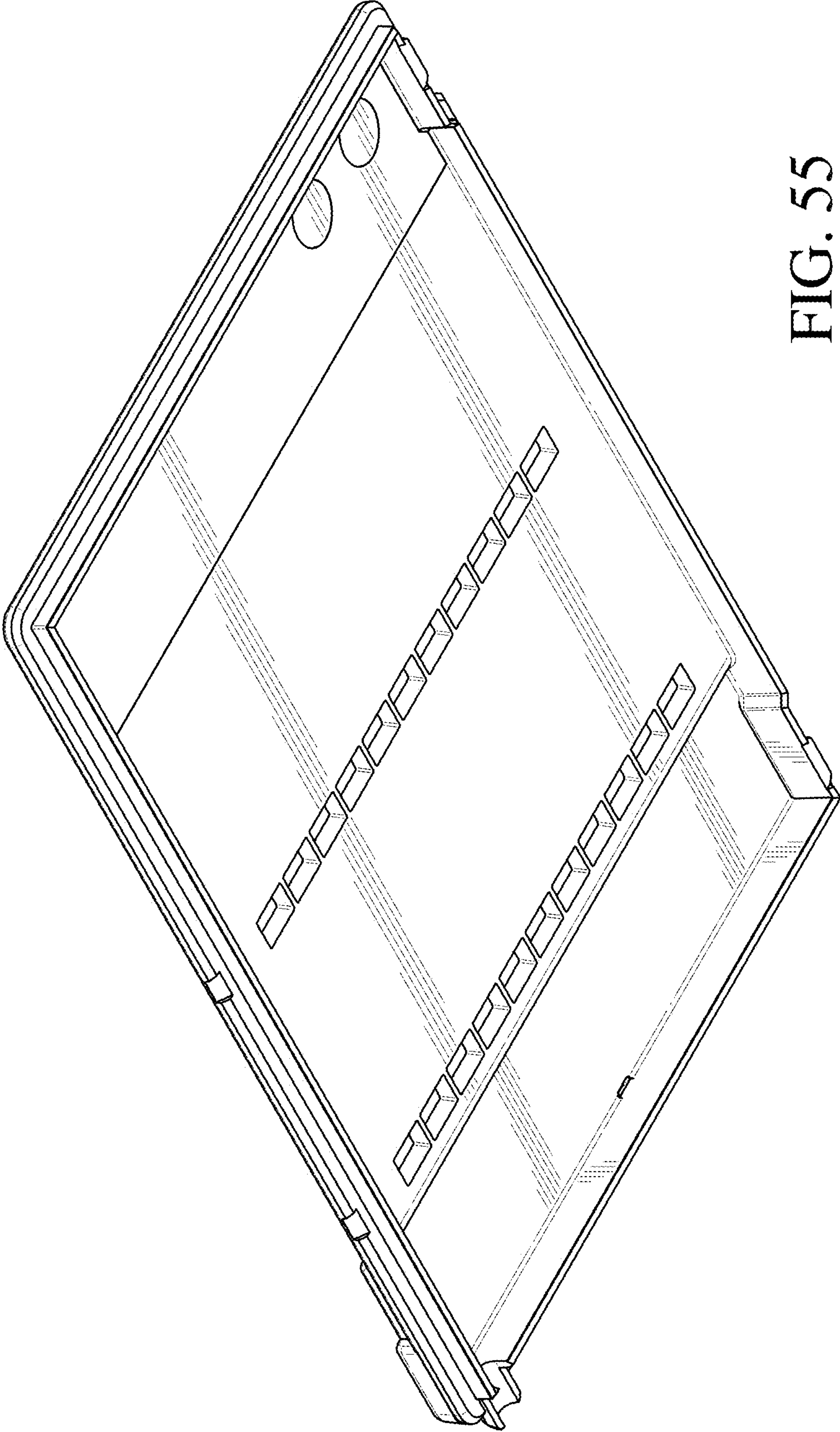


FIG. 55



FIG. 57

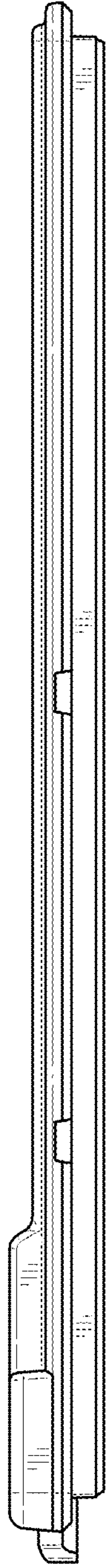


FIG. 57

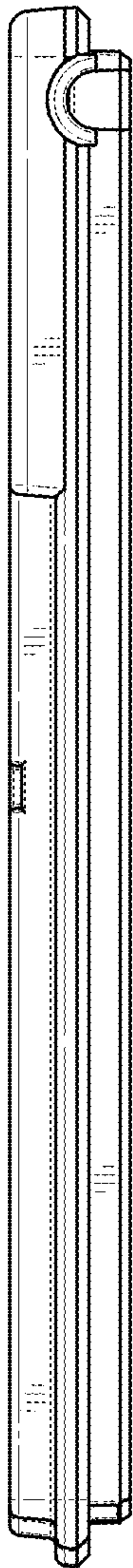


FIG. 58



FIG. 59

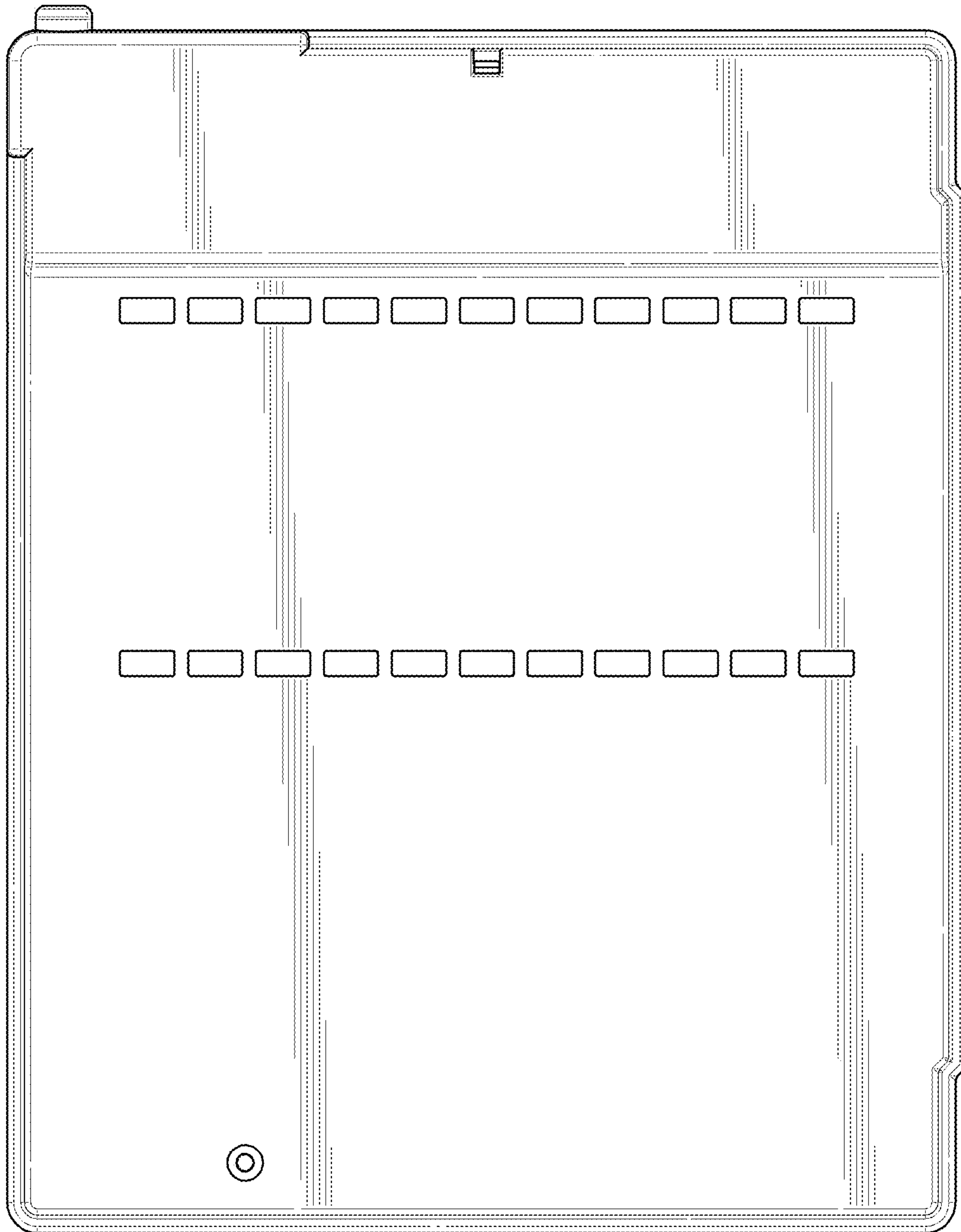


FIG. 60

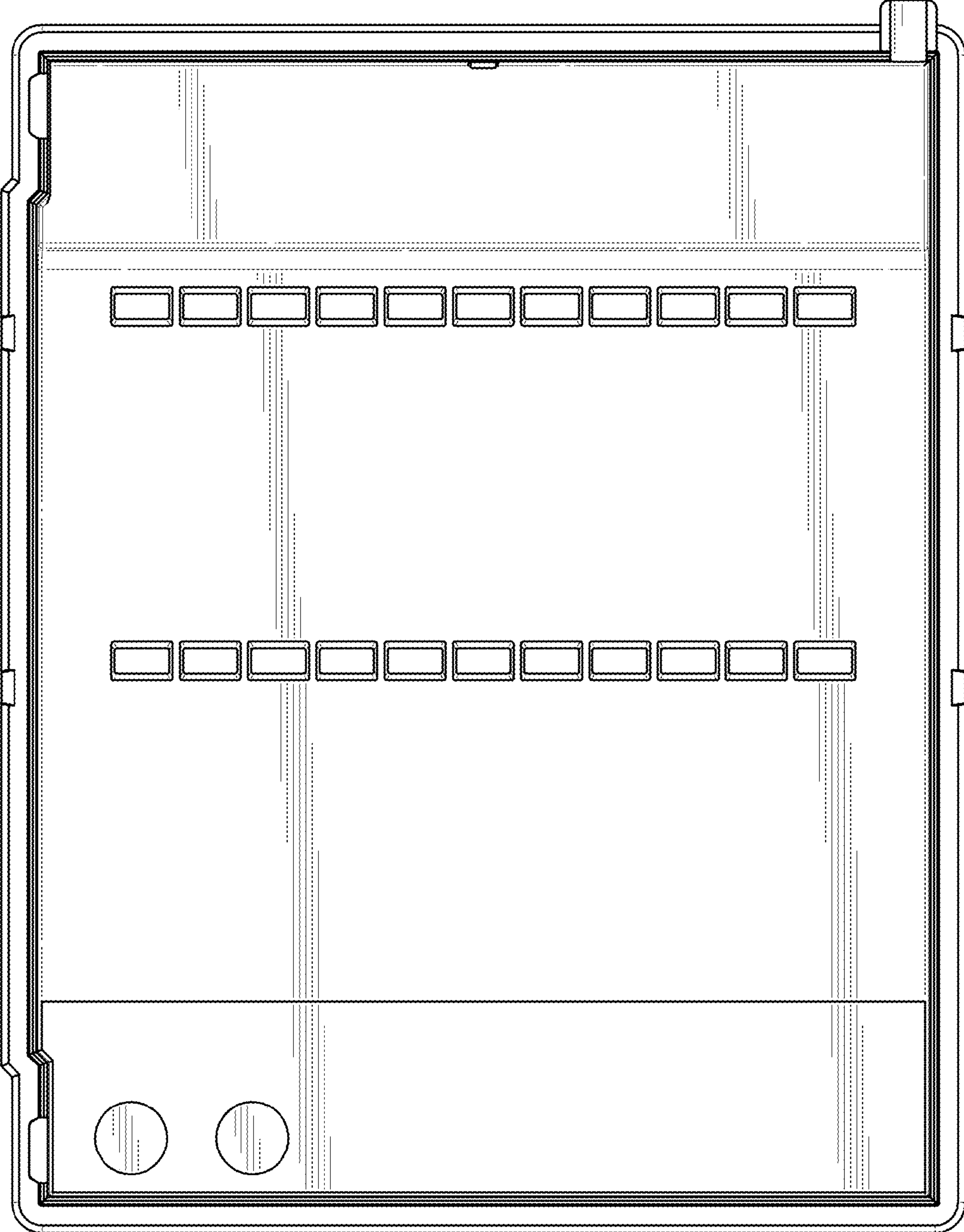


FIG. 61

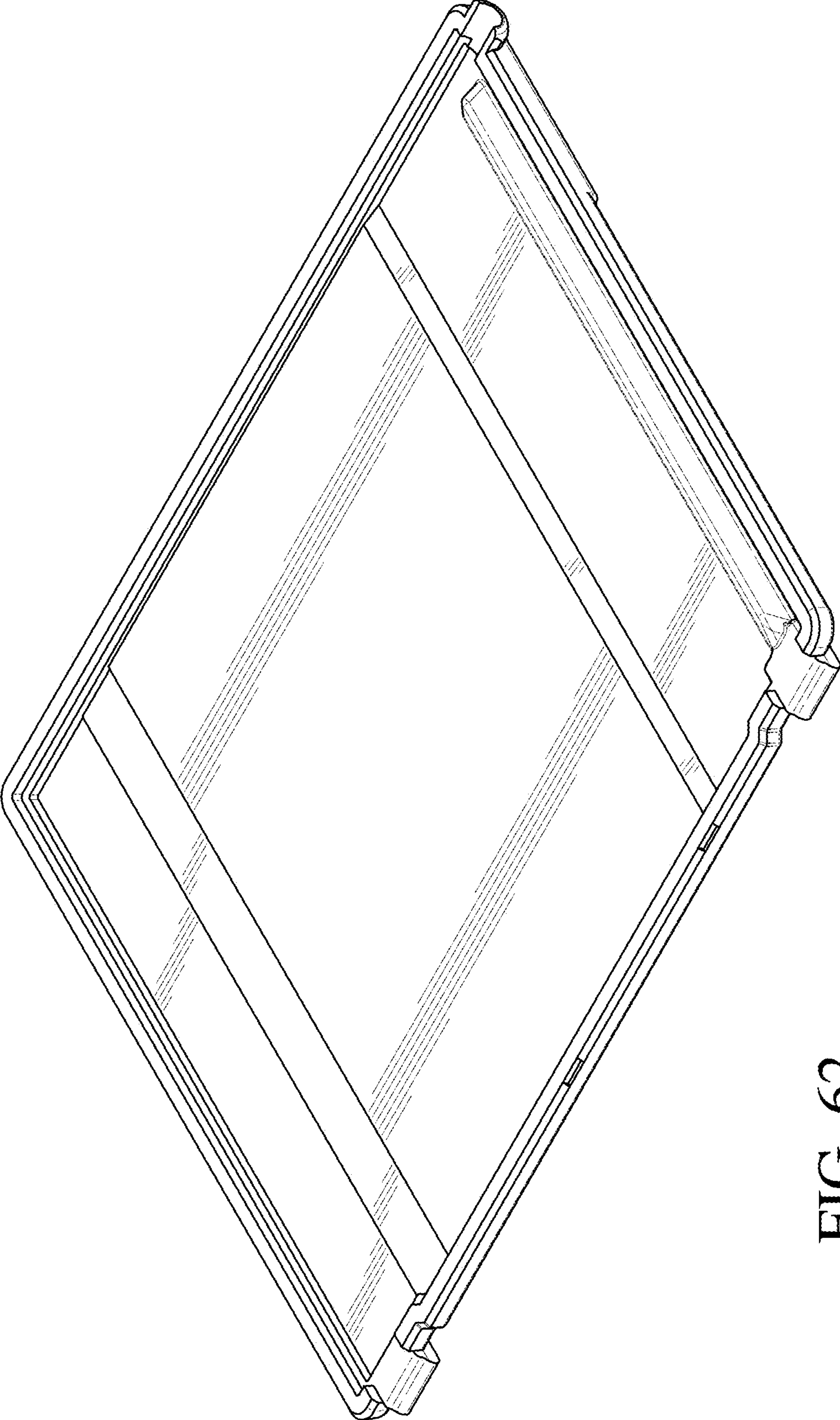


FIG. 62

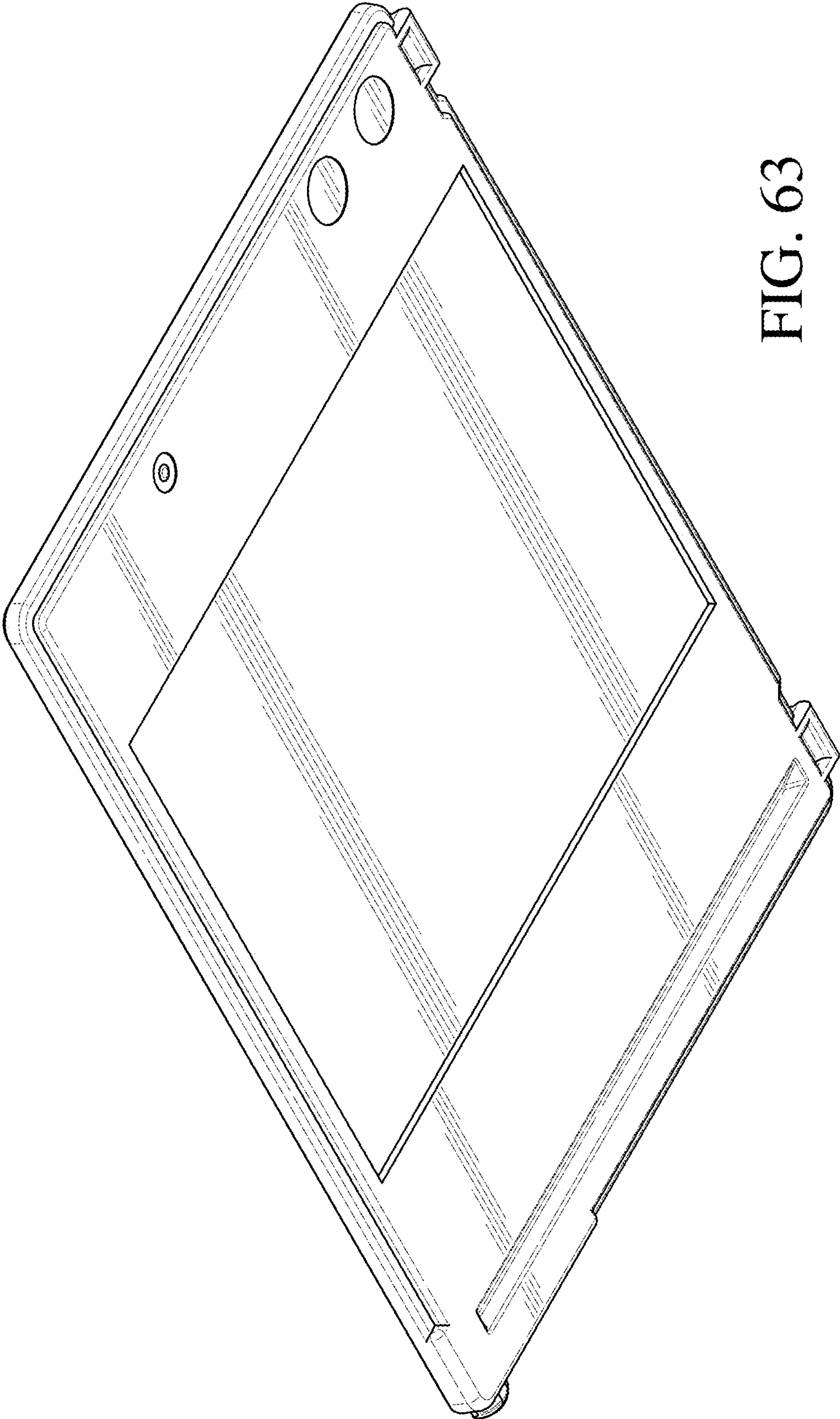


FIG. 63

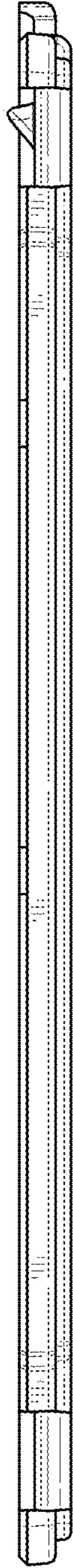


FIG. 64



FIG. 65

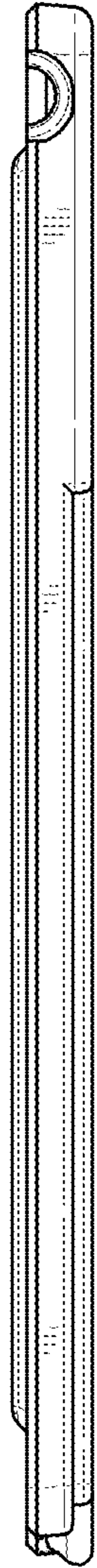


FIG. 66

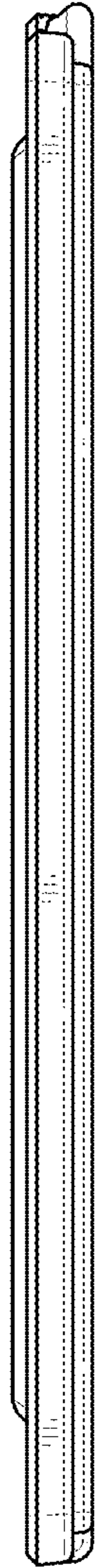


FIG. 67

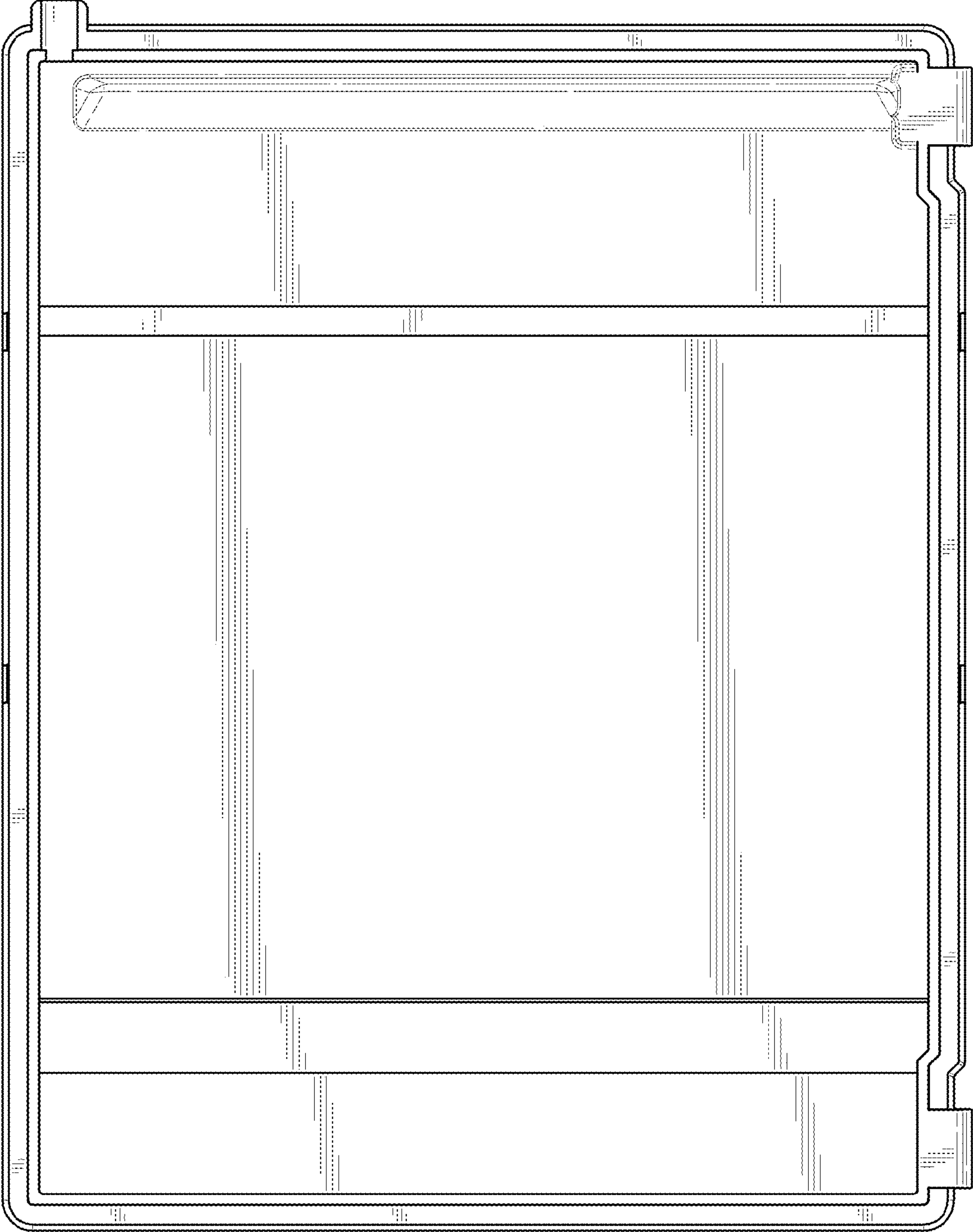


FIG. 68

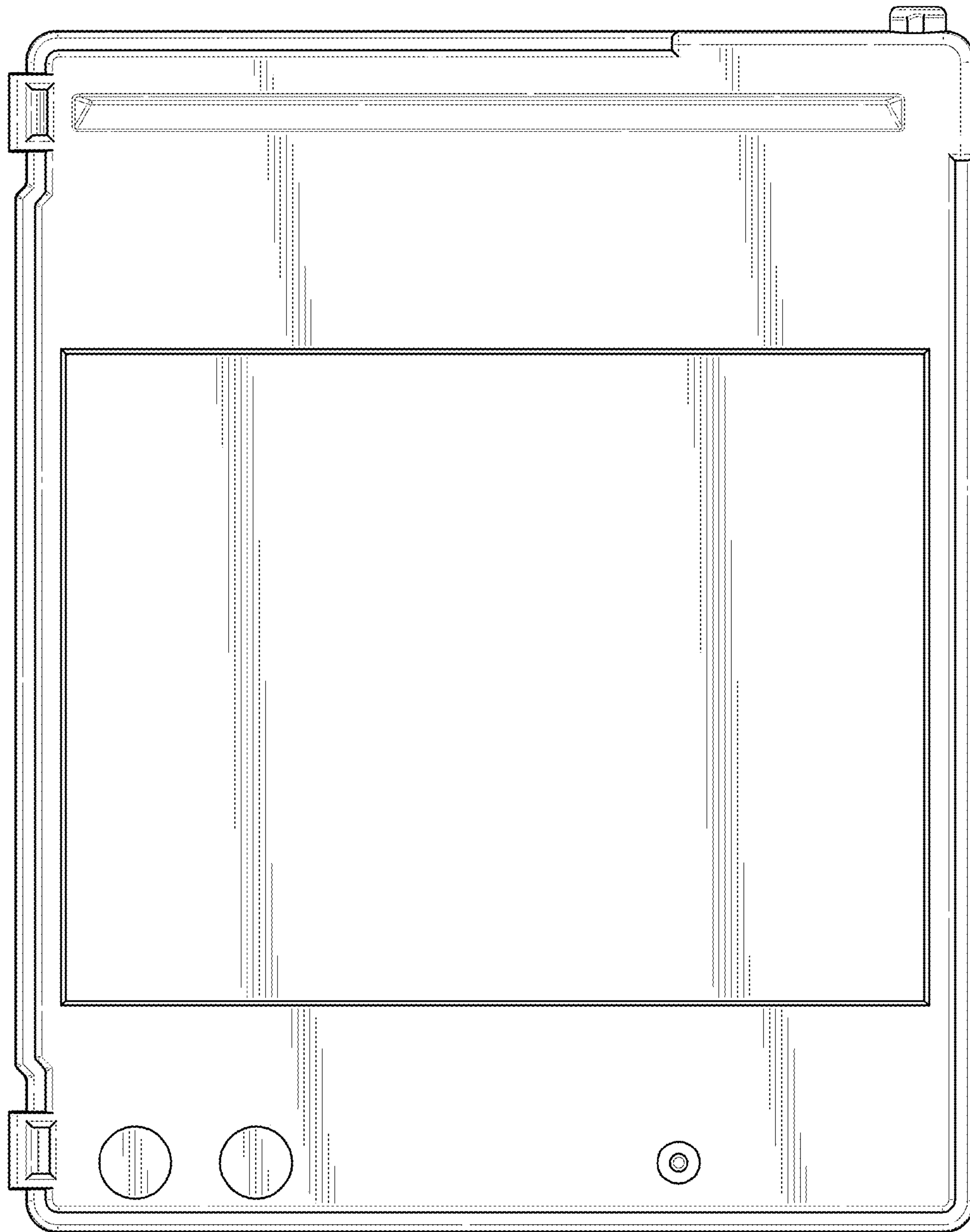


FIG. 69