



US00D919831S

(12) **United States Design Patent** (10) **Patent No.:** **US D919,831 S**
Self et al. (45) **Date of Patent:** **** May 18, 2021**

(54) **PROCESS PLATE**
(71) Applicant: **Becton, Dickinson and Company,**
Franklin Lakes, NJ (US)
(72) Inventors: **Brian A. Self,** Monkton, MD (US);
Dwight Livingston, Fallston, MD (US)
(73) Assignee: **Becton, Dickinson and Company,**
Franklin Lakes, NJ (US)

6,558,631 B1 5/2003 Day
6,601,725 B2 8/2003 Lafond et al.
D574,506 S 8/2008 Monks
D598,566 S 8/2009 Allaer
D608,013 S 1/2010 Coulling et al.
D618,820 S 6/2010 Wilson et al.
D624,194 S 9/2010 Pack et al.
D673,294 S 12/2012 Motadel
(Continued)

(**) Term: **15 Years**

AU 201614442 C1 11/2016

(21) Appl. No.: **29/746,575**

OTHER PUBLICATIONS

(22) Filed: **Aug. 14, 2020**

US D878,623 S, 03/2020, Self et al. (withdrawn)
(Continued)

Related U.S. Application Data

(60) Division of application No. 29/658,064, filed on Jul. 27, 2018, now Pat. No. Des. 893,743, which is a division of application No. 29/575,809, filed on Aug. 29, 2016, now Pat. No. Des. 827,149, which is a continuation-in-part of application No. 29/564,484, filed on May 13, 2016, now Pat. No. Des. 825,774.

Primary Examiner — Susan Bennett Hattan
Assistant Examiner — Rebecca Tsehaye
(74) *Attorney, Agent, or Firm* — Lerner, David, Littenberg, Krumholz & Mentlik, LLP

(51) **LOC (13) Cl.** **24-02**
(52) **U.S. Cl.**
USPC **D24/224**

(57) **CLAIM**

The ornamental design for a process plate, as shown and described.

(58) **Field of Classification Search**
USPC D24/224, 107, 216, 227–230, 222, 127,
D24/128; 422/50, 500, 501, 524, 564,
422/563, 562, 561, 942, 401
CPC B01L 3/0275; B01L 2300/08; B01L
2300/0829; B01L 2200/06
See application file for complete search history.

DESCRIPTION

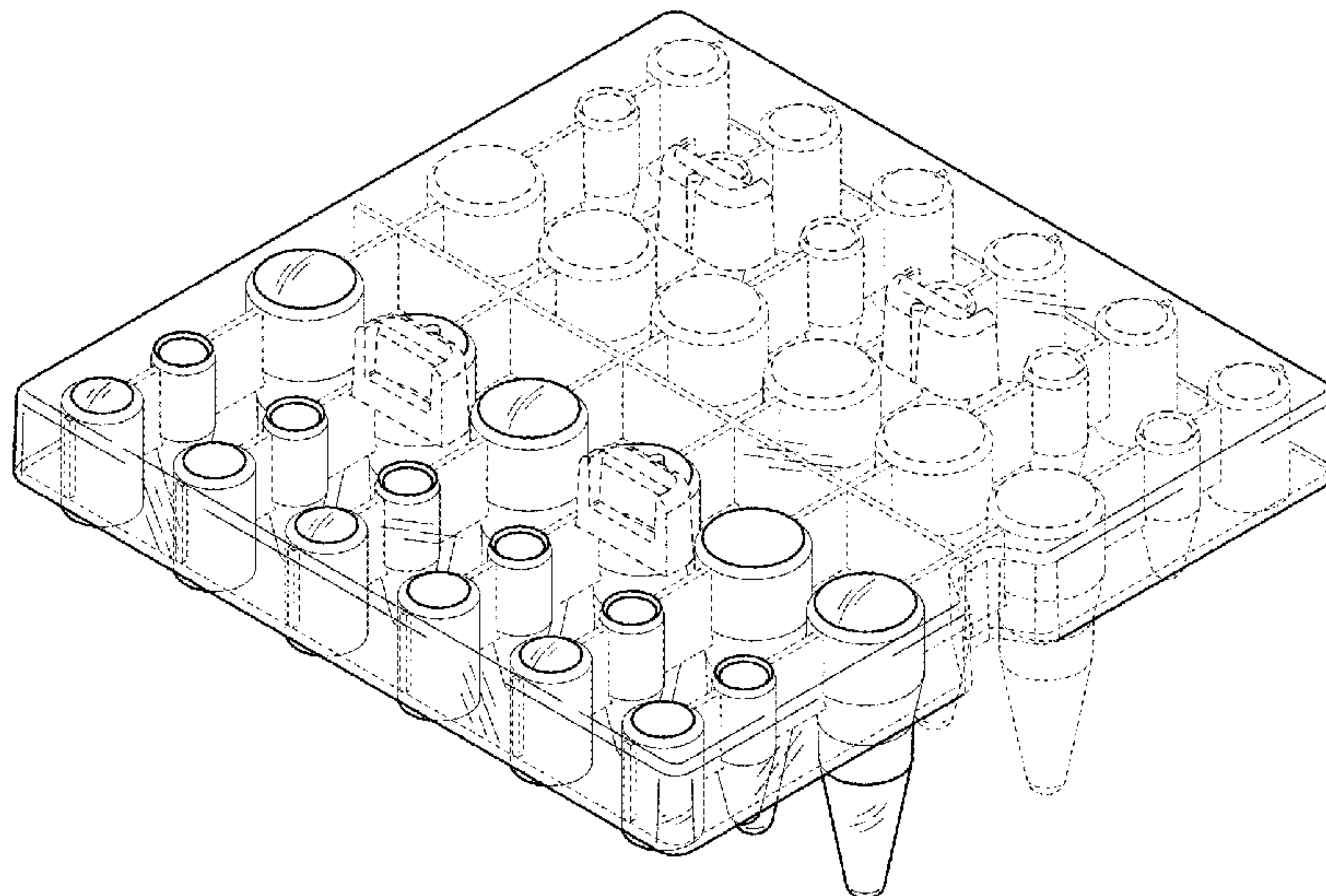
FIG. 1 is a front perspective view of a process plate according to our design;
FIG. 2 is a front elevational view thereof;
FIG. 3 is a rear elevational view thereof;
FIG. 4 is a right side elevational view thereof;
FIG. 5 is a left side elevational view thereof;
FIG. 6 is a top plan view thereof; and,
FIG. 7 is a bottom plan view thereof.
The broken lines illustrate unclaimed environmental structure and form no part of the claimed design. The oblique shade lines shown in the drawings depict a transparent surface.

(56) **References Cited**

U.S. PATENT DOCUMENTS

D273,363 S 4/1984 Hagedorn et al.
4,599,315 A 7/1986 Terasaki et al.
D337,165 S 7/1993 Malinoff
D420,743 S 2/2000 Monks

1 Claim, 4 Drawing Sheets



(56)

References Cited

U.S. PATENT DOCUMENTS

D677,400 S 3/2013 Blaettler et al.
 D679,830 S 4/2013 May et al.
 D690,027 S 9/2013 Motadel
 D697,227 S 1/2014 Motadel
 D699,371 S 2/2014 Williams et al.
 D699,859 S 2/2014 Motadel
 D700,712 S 3/2014 May et al.
 D702,854 S 4/2014 Nakahana et al.
 D703,345 S 4/2014 Tajima et al.
 8,728,415 B2 5/2014 Seippel
 D710,024 S 7/2014 Guo
 D718,465 S 11/2014 Tajima et al.
 D729,942 S 5/2015 Keizer et al.
 9,180,456 B2 11/2015 Malinoski et al.
 D768,873 S 10/2016 Stedman et al.
 D778,459 S 2/2017 Tajima
 D792,981 S 7/2017 Tajima
 D793,573 S 8/2017 Karmeniemi
 9,802,196 B2 10/2017 Taunk
 D804,050 S 11/2017 Coulling et al.
 D808,540 S 1/2018 Johns et al.
 D810,959 S * 2/2018 Langhoff D24/230
 D815,753 S 4/2018 Curry et al.
 D825,774 S 8/2018 Becton
 D826,425 S 8/2018 Muller et al.
 D826,426 S * 8/2018 Muller D24/230
 D827,149 S 8/2018 Self et al.
 D836,794 S 12/2018 Livingston et al.
 D844,806 S 4/2019 Johns et al.
 D848,638 S 5/2019 Sims et al.
 D849,961 S 5/2019 Muller et al.
 D854,707 S 7/2019 Jakobsen et al.

D862,724 S * 10/2019 Sims D24/224
 D868,288 S 11/2019 Muller et al.
 D868,289 S 11/2019 Muller et al.
 D868,996 S 12/2019 Muller et al.
 D875,272 S 2/2020 Muller et al.
 D893,743 S * 8/2020 Self D24/224
 D894,424 S * 8/2020 Livingston D24/227
 D898,941 S * 10/2020 Ollar D24/227
 2005/0136546 A1 6/2005 Bemdt et al.
 2006/0257292 A1 11/2006 Motadel
 2008/0284602 A1 11/2008 Morris et al.
 2010/0080734 A1 4/2010 Brophy et al.
 2010/0119418 A1 5/2010 Clements et al.
 2010/0314051 A1 12/2010 Barger et al.
 2012/0257953 A1 10/2012 Williams et al.
 2013/0161225 A1 6/2013 Lepot
 2014/0205518 A1 7/2014 Malinoski et al.
 2014/0234182 A1 8/2014 Motadel et al.
 2016/0319329 A1 11/2016 Natale et al.

OTHER PUBLICATIONS

Design U.S. Appl. No. 29/657,941, filed Jul. 26, 2018, entitled "Process Plate".
 Design U.S. Appl. No. 29/658,064, filed Jul. 27, 2018, entitled "Process Plate".
<https://www.google.com/search?q=process+plate&source=lnms&tbm=isch&sa=X&ved= Aug. 12, 2019.>
 Self et al., "Process Plate", Design U.S. Appl. No. 29/664,909, filed Sep. 28, 2018.
 Design U.S. Appl. No. 29/732,678, filed Apr. 27, 2020 entitled "Process Plate."

* cited by examiner

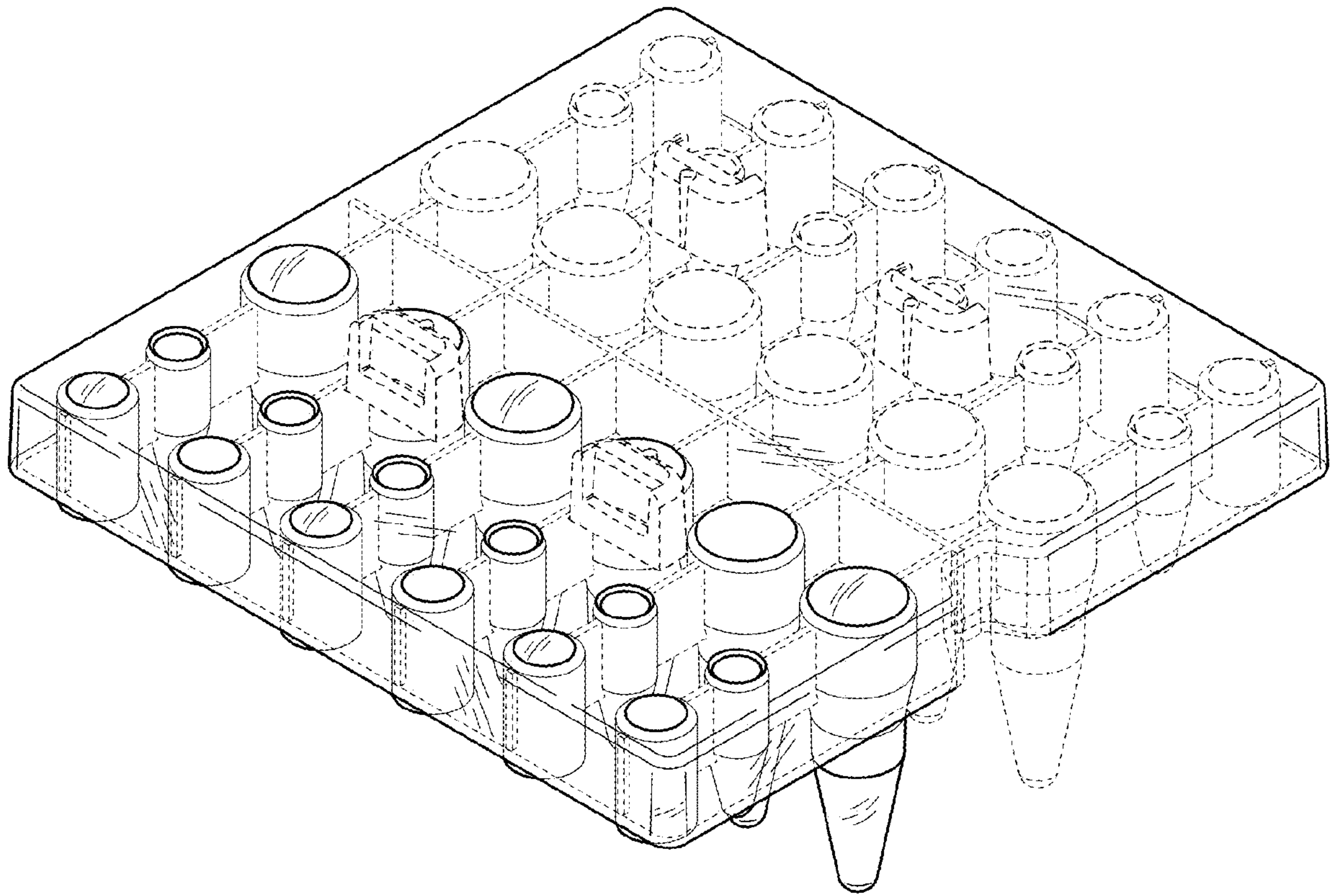


FIG. 1

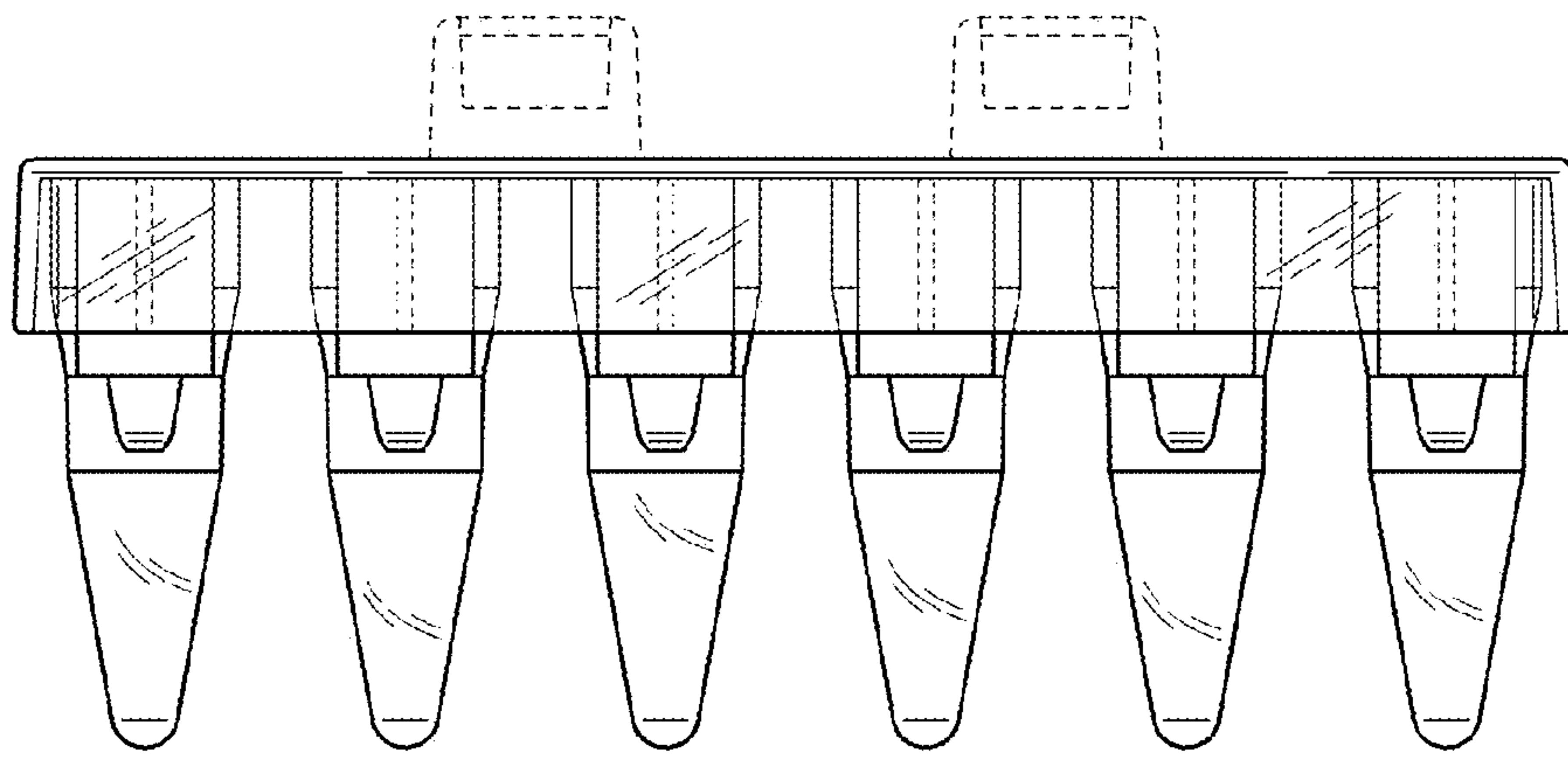


FIG. 2

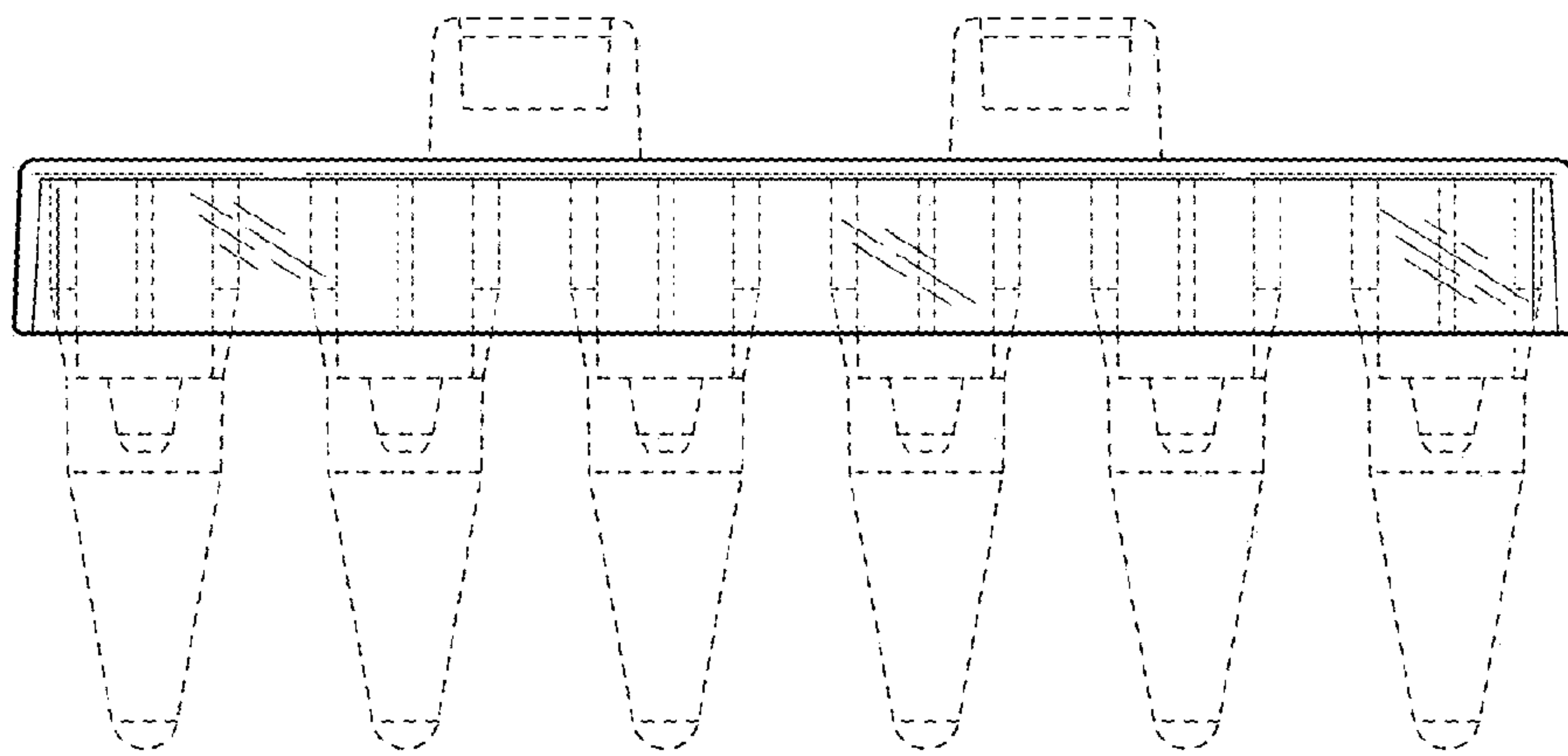


FIG. 3

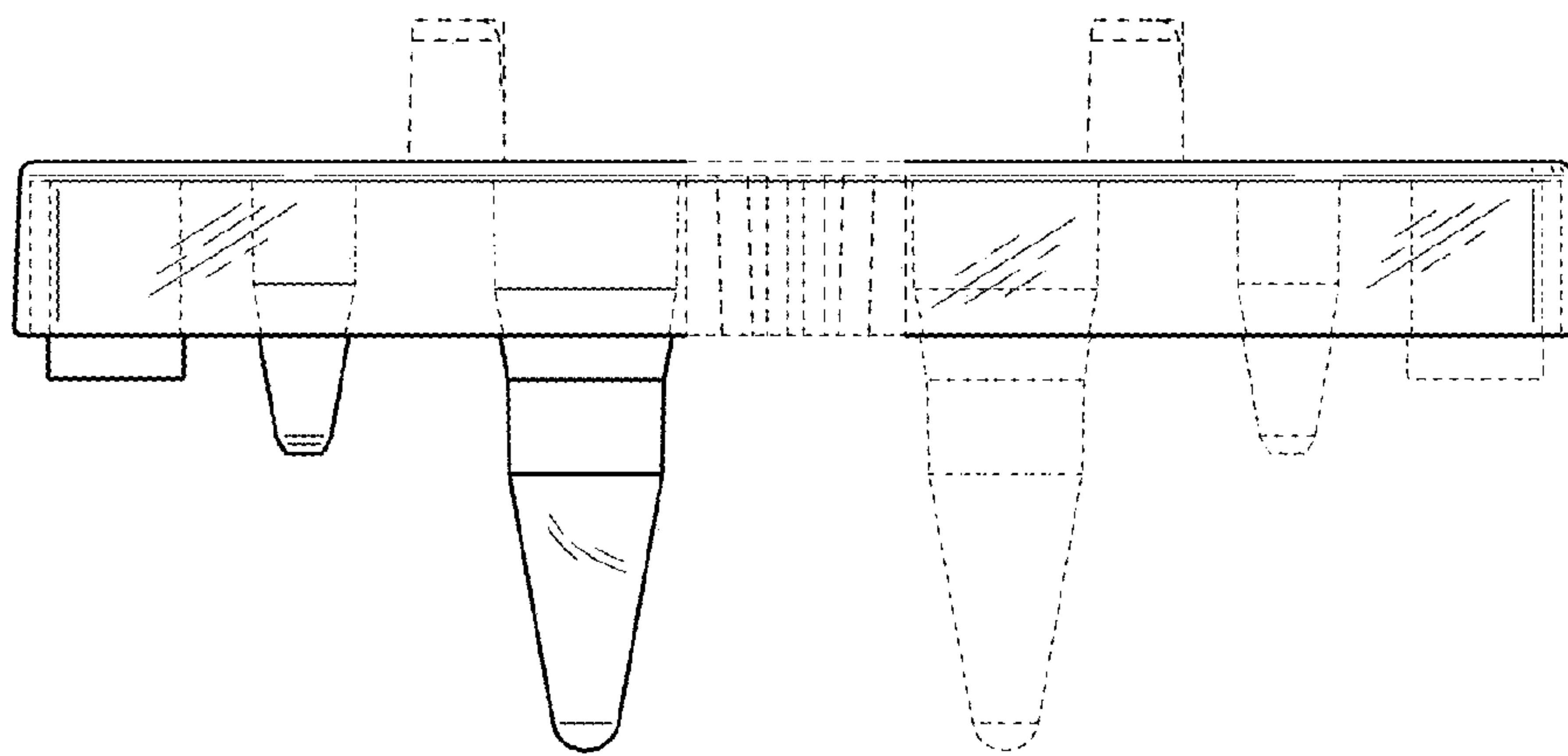


FIG. 4

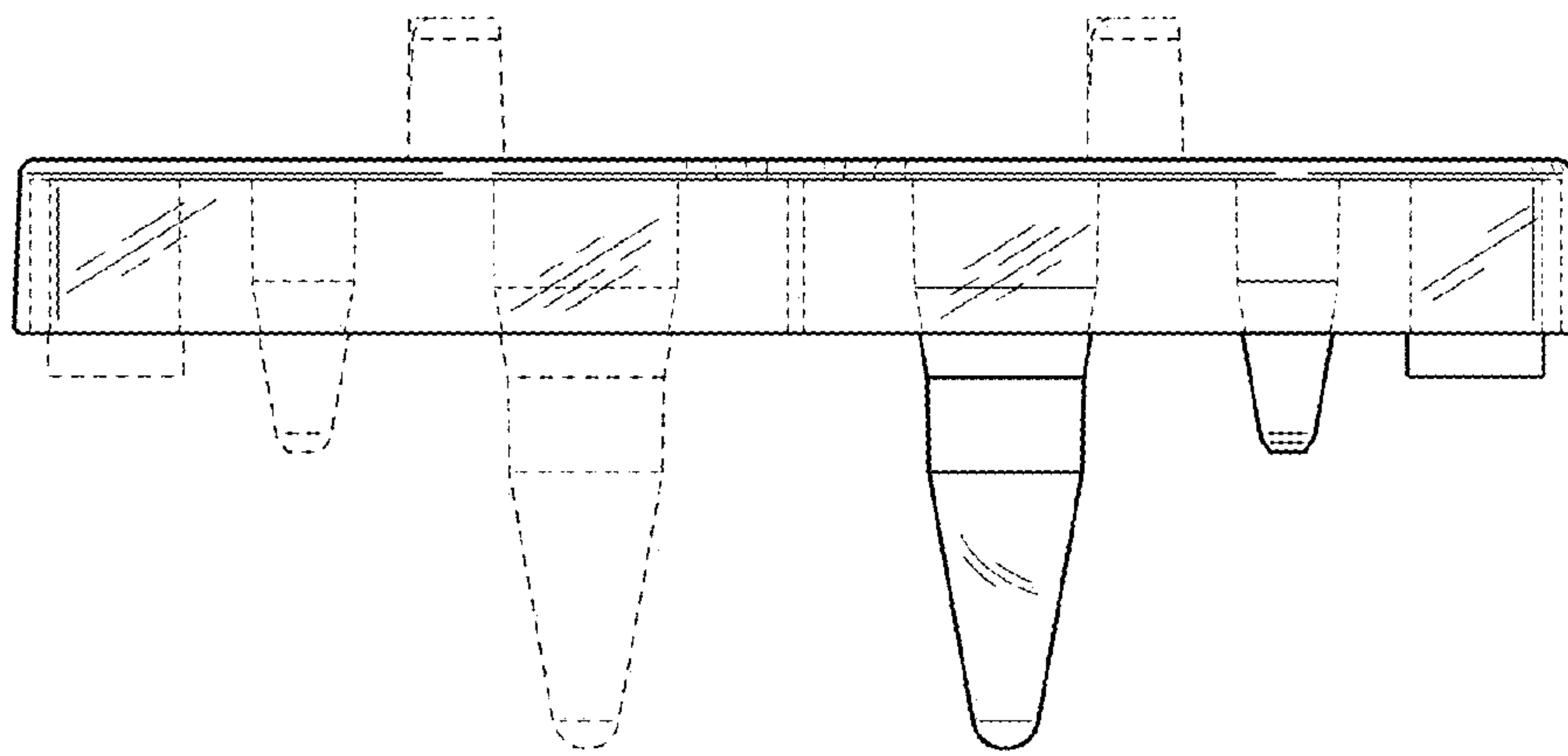


FIG. 5

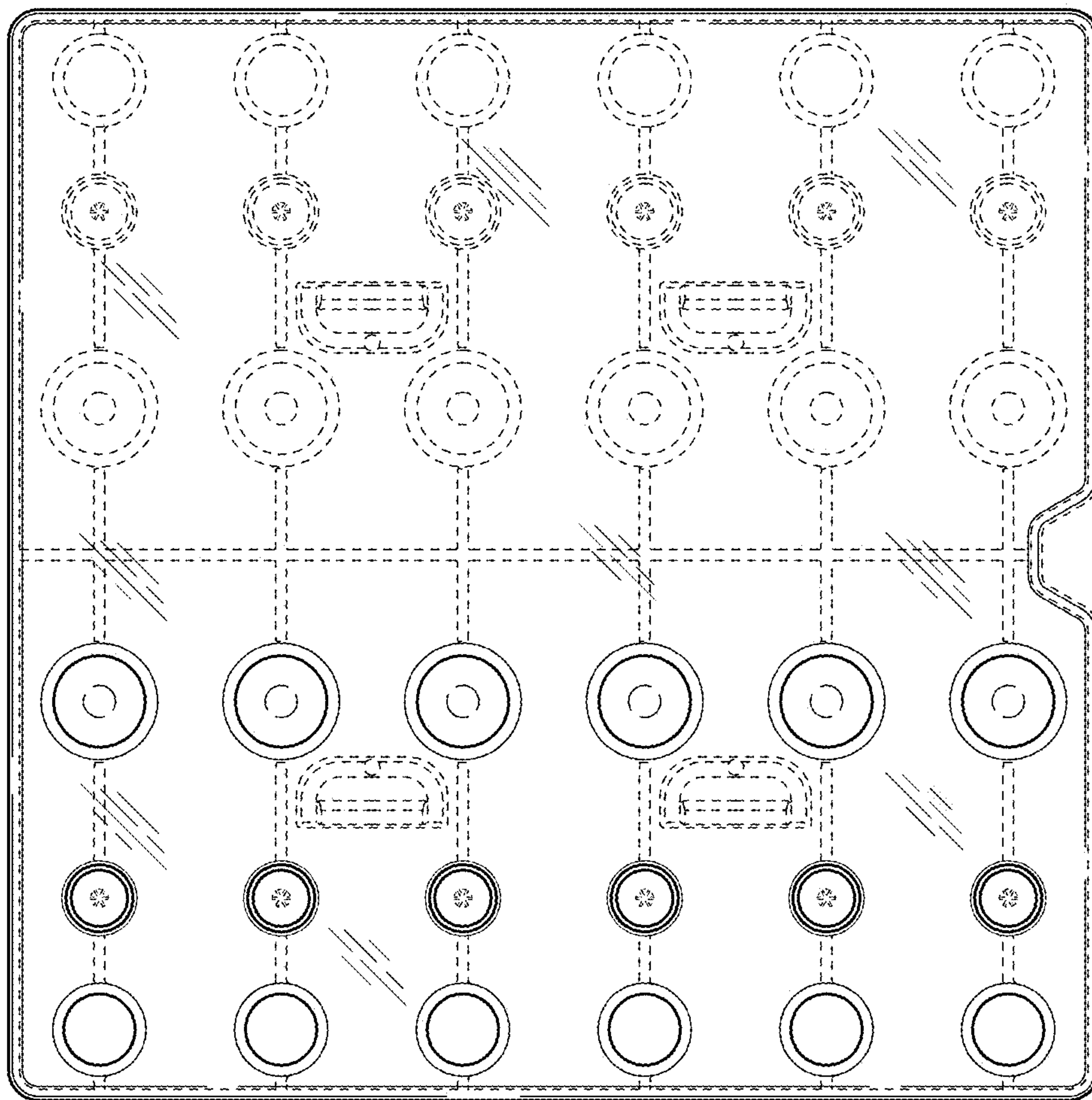


FIG. 6

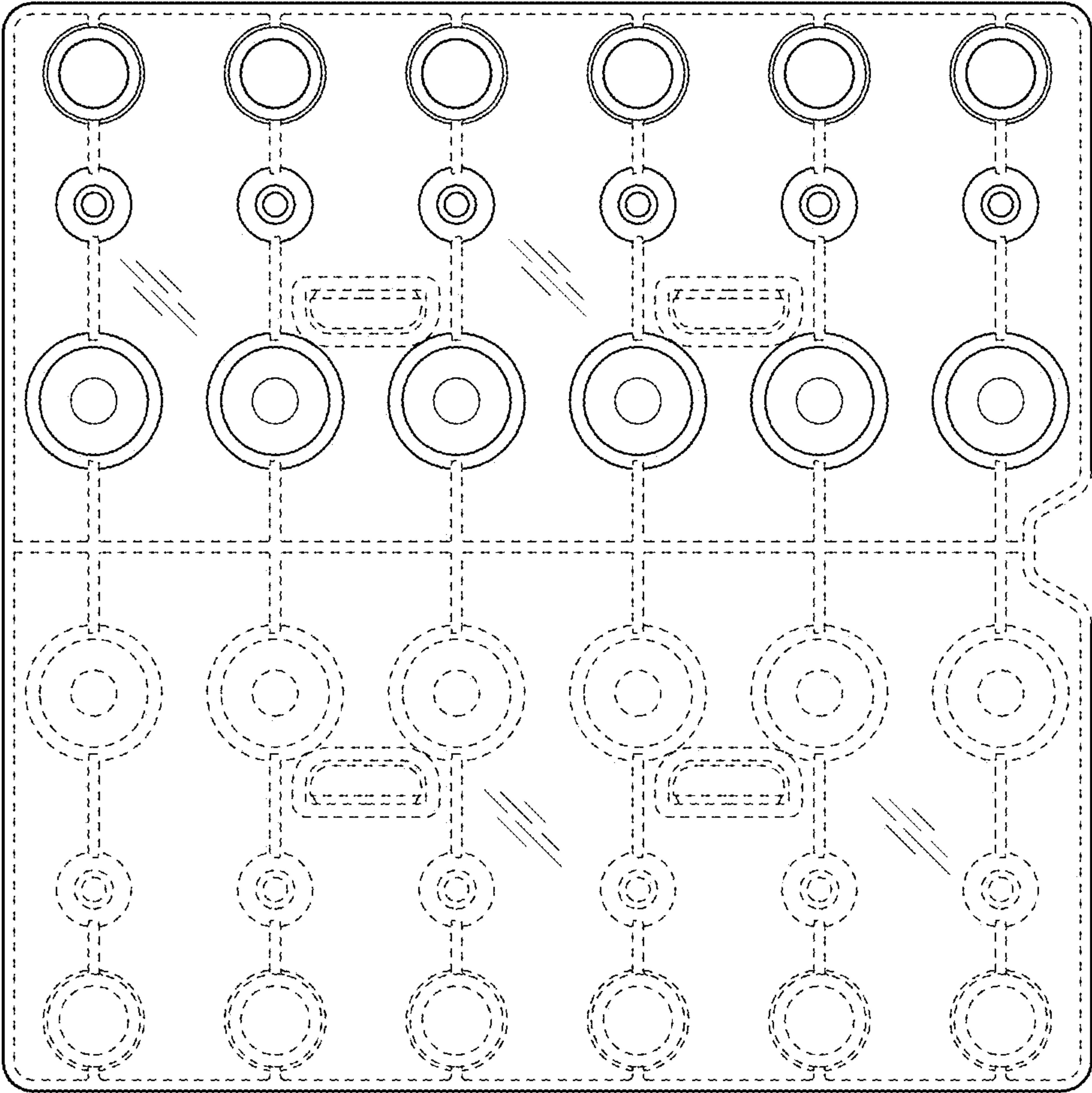


FIG. 7