



US00D919828S

(12) **United States Design Patent**
Fishman

(10) **Patent No.:** **US D919,828 S**

(45) **Date of Patent:** **** May 18, 2021**

(54) **NON-SWELLING TOOL**

(71) Applicant: **Chase Daniel Fishman**, Saddle River,
NJ (US)

(72) Inventor: **Chase Daniel Fishman**, Saddle River,
NJ (US)

(**) Term: **15 Years**

(21) Appl. No.: **29/721,314**

(22) Filed: **Jan. 20, 2020**

(51) **LOC (13) Cl.** **28-03**

(52) **U.S. Cl.**
USPC **D24/214**

(58) **Field of Classification Search**
USPC D24/200, 211, 212, 213, 214, 215;
D8/499

CPC A61H 2201/1253; A61H 2205/082; A61H
19/00; A61H 2201/0153

See application file for complete search history.

(56) **References Cited**

U.S. PATENT DOCUMENTS

- 1,705,249 A * 3/1929 Henry A61H 7/002
601/137
- D202,006 S * 8/1965 Slipian D28/8.1
- D261,428 S * 10/1981 Noble D24/211

- D264,754 S * 6/1982 Vitrac D24/211
- D288,847 S * 3/1987 Kaeser D24/211
- D300,853 S * 4/1989 Smal D24/211
- D341,426 S * 11/1993 Hubbard D24/211
- D342,319 S * 12/1993 Cheng D24/200
- D360,695 S * 7/1995 Wollman D24/211
- D698,454 S * 1/2014 DiStefano D24/215
- D712,058 S * 8/2014 Huang D24/215
- D724,752 S * 3/2015 Huang D24/215

* cited by examiner

Primary Examiner — Keli L Hill

Assistant Examiner — Harold E Blackwell, II

(74) *Attorney, Agent, or Firm* — Scott H. Kaliko, Esq.;
Kaliko & Associates, LLC

(57) **CLAIM**

The ornamental design for a non-swelling tool, as shown
and described.

DESCRIPTION

FIG. 1 is a PERSPECTIVE view of a design for the
non-swelling tool;

FIG. 2 is a FRONT view thereof;

FIG. 3 is a REAR view thereof;

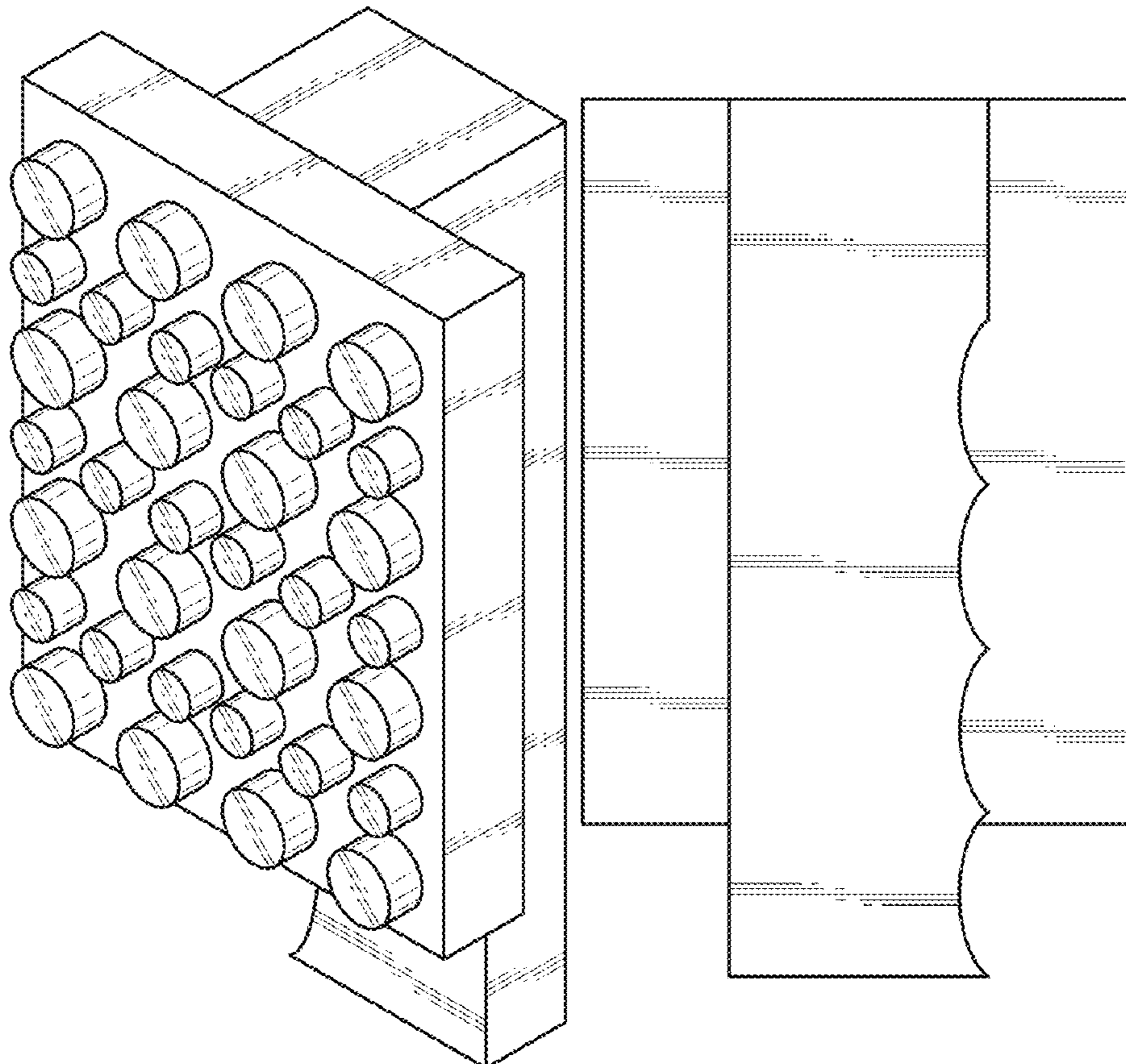
FIG. 4 is a SIDE view of thereof;

FIG. 5 is a SIDE view thereof;

FIG. 6 is a TOP view thereof; and,

FIG. 7 is a BOTTOM view thereof.

1 Claim, 7 Drawing Sheets



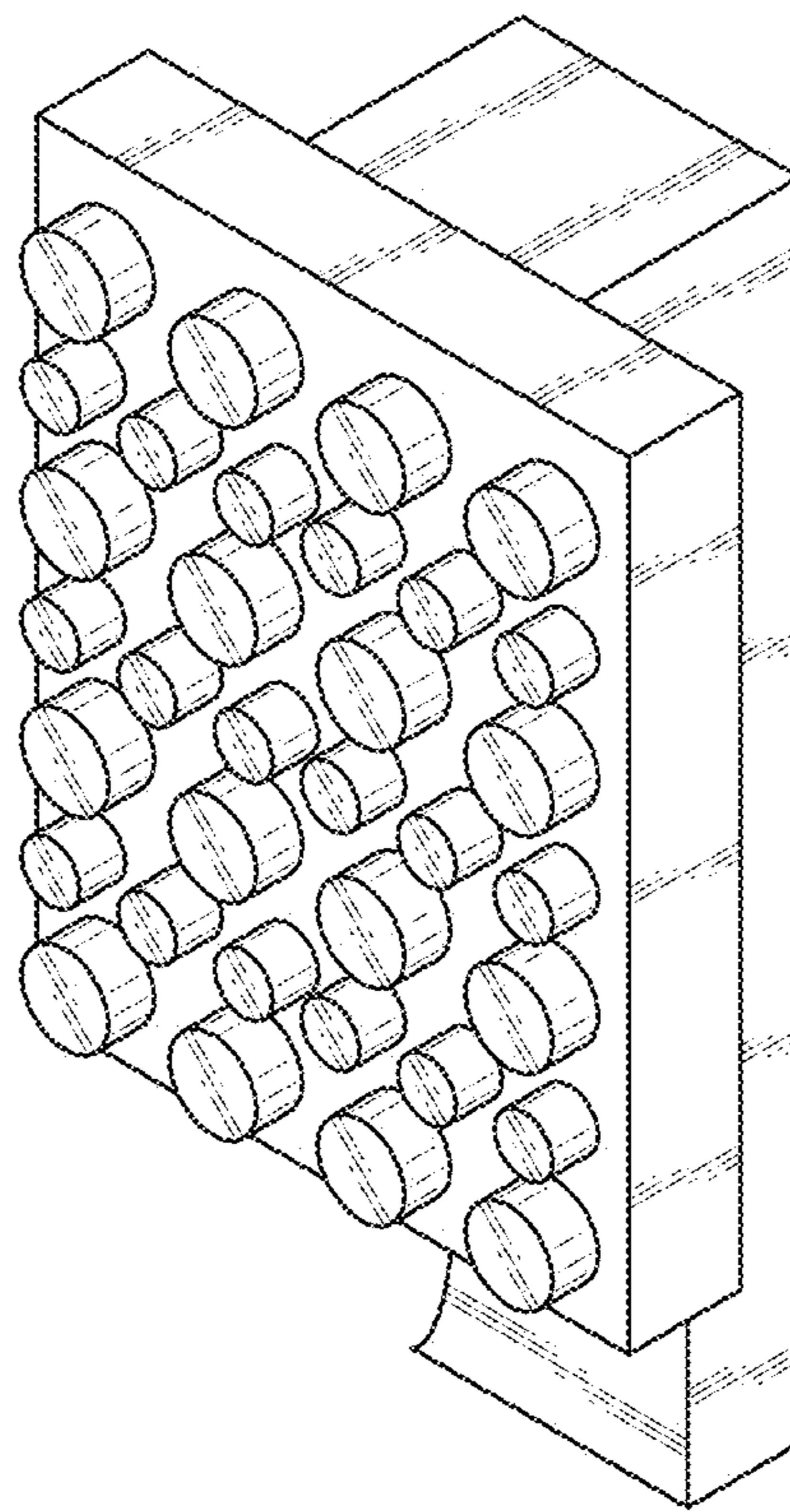


FIG. 1

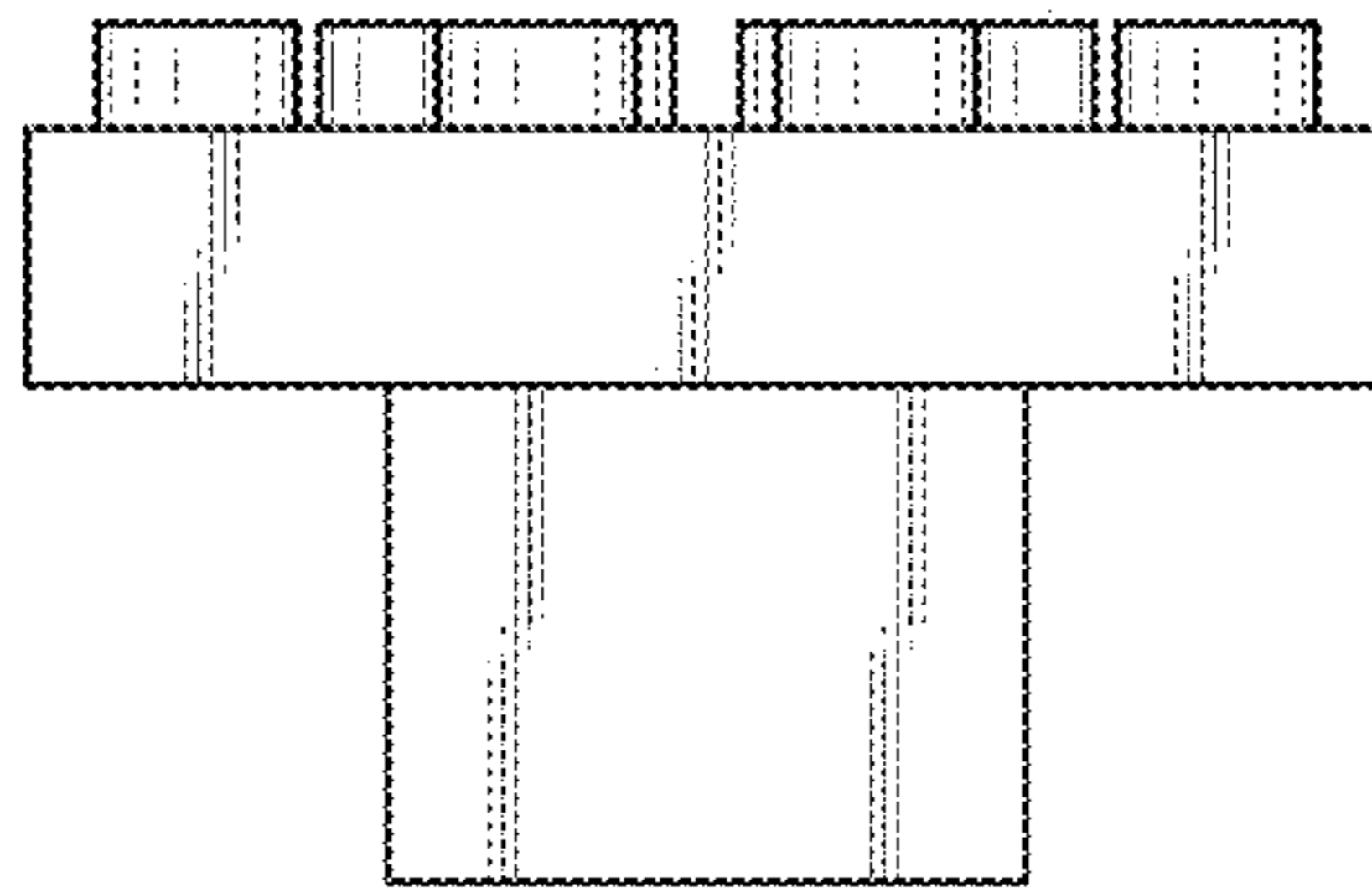


FIG. 2

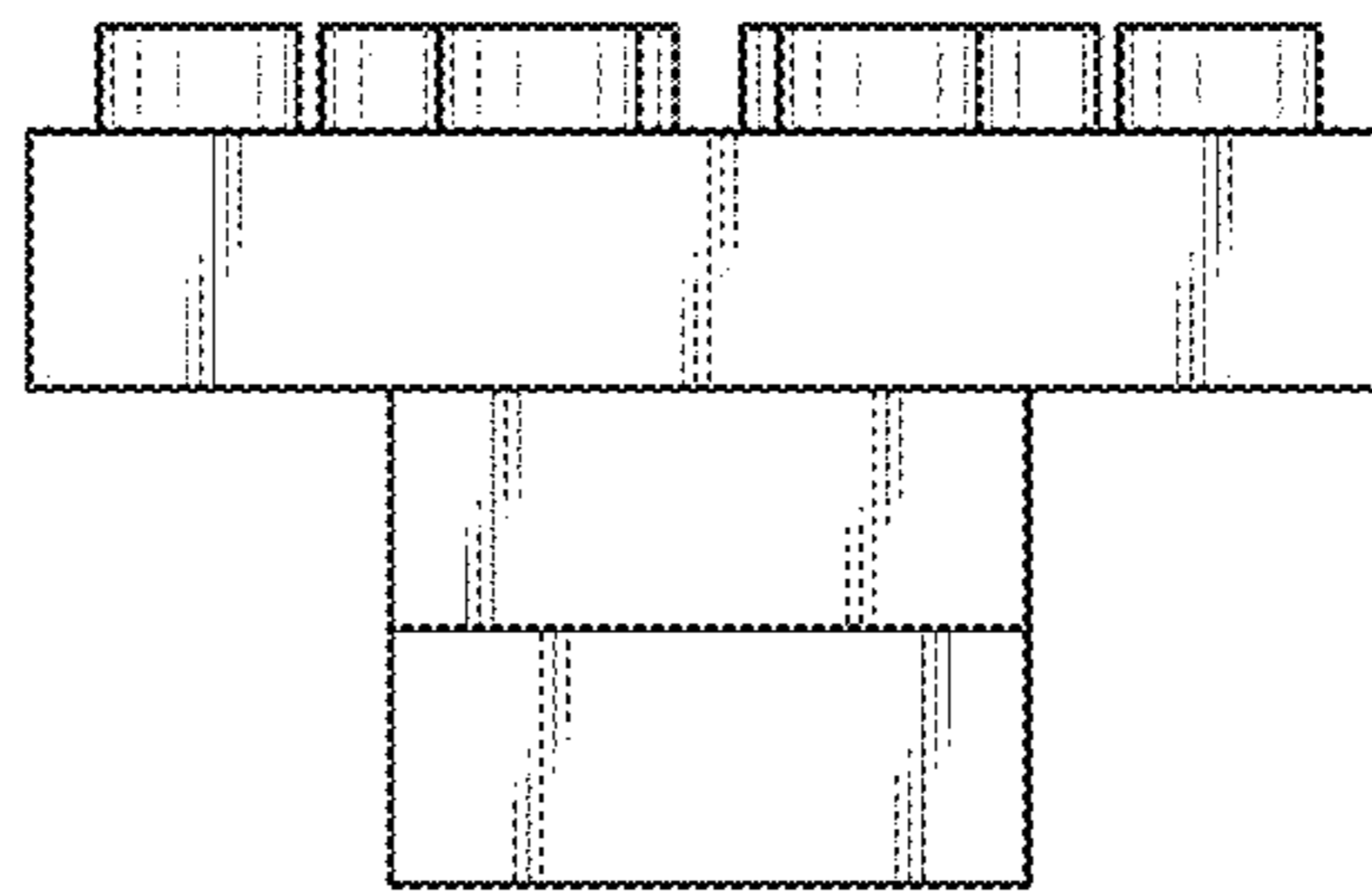


FIG. 3

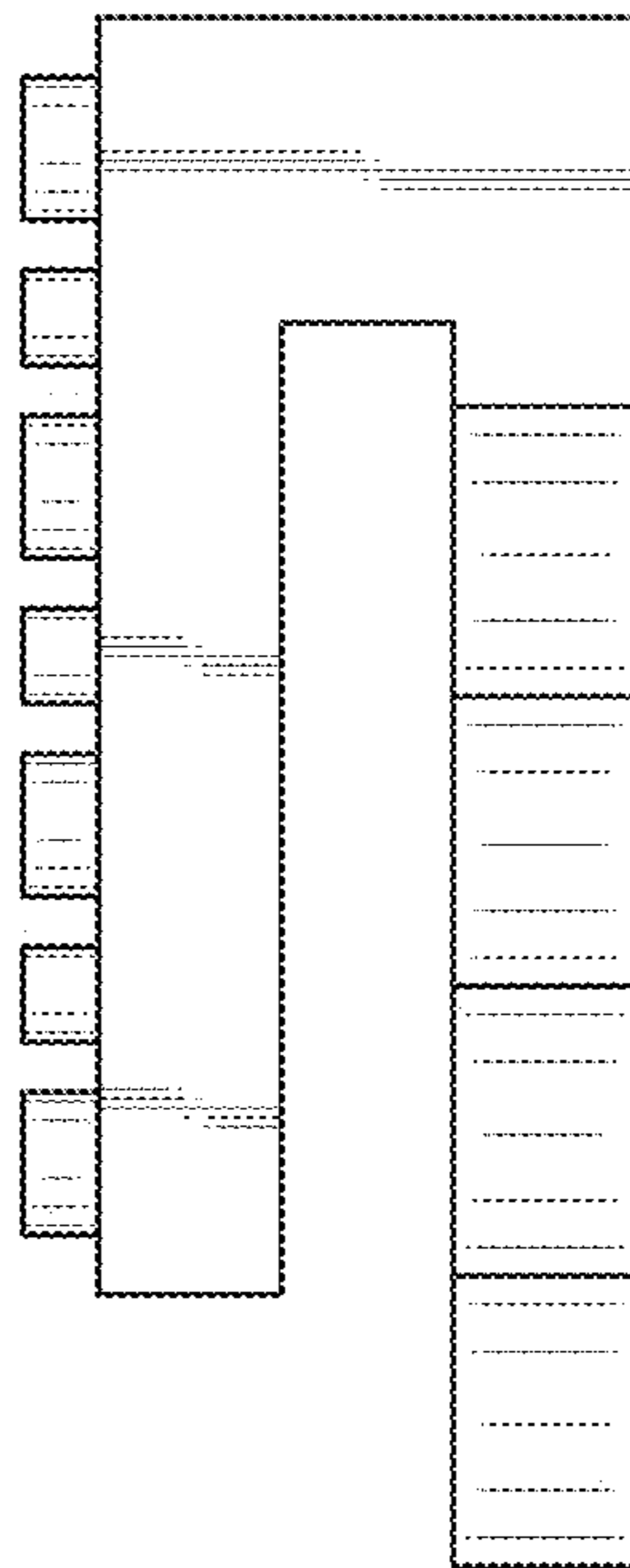


FIG. 4

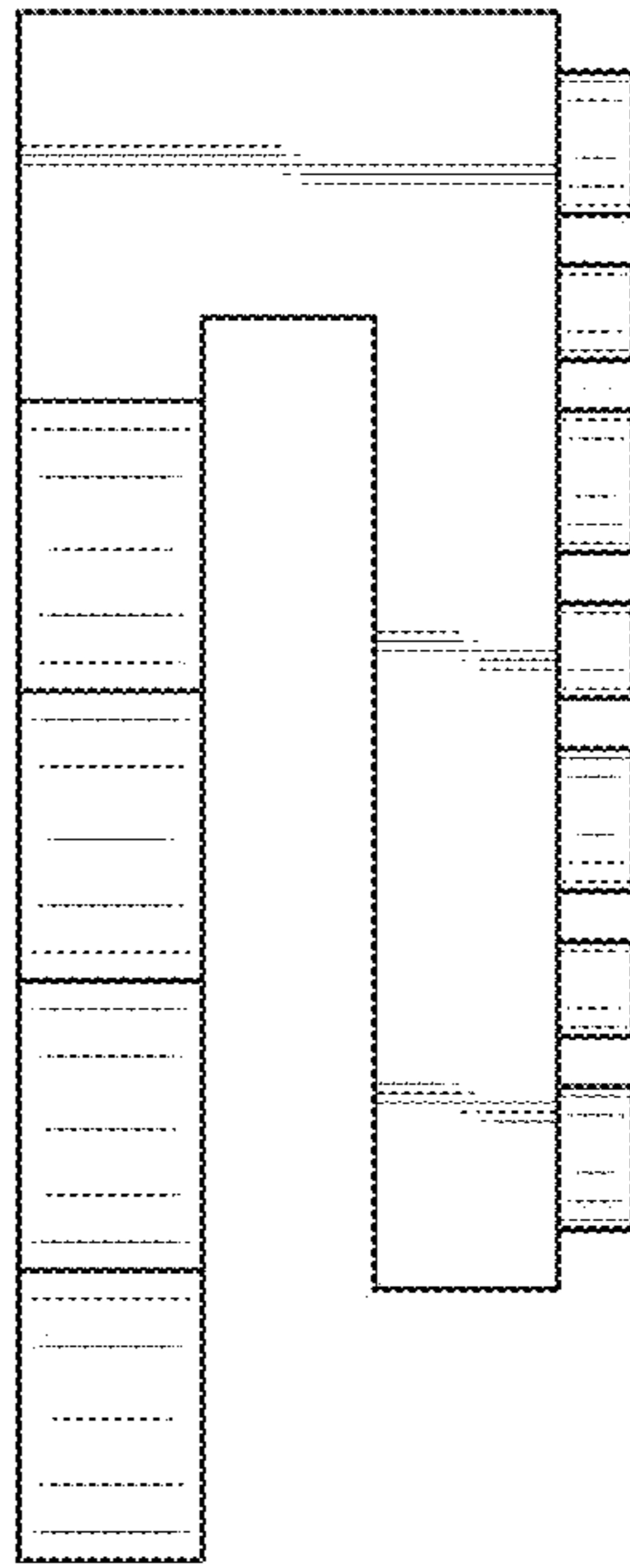


FIG. 5

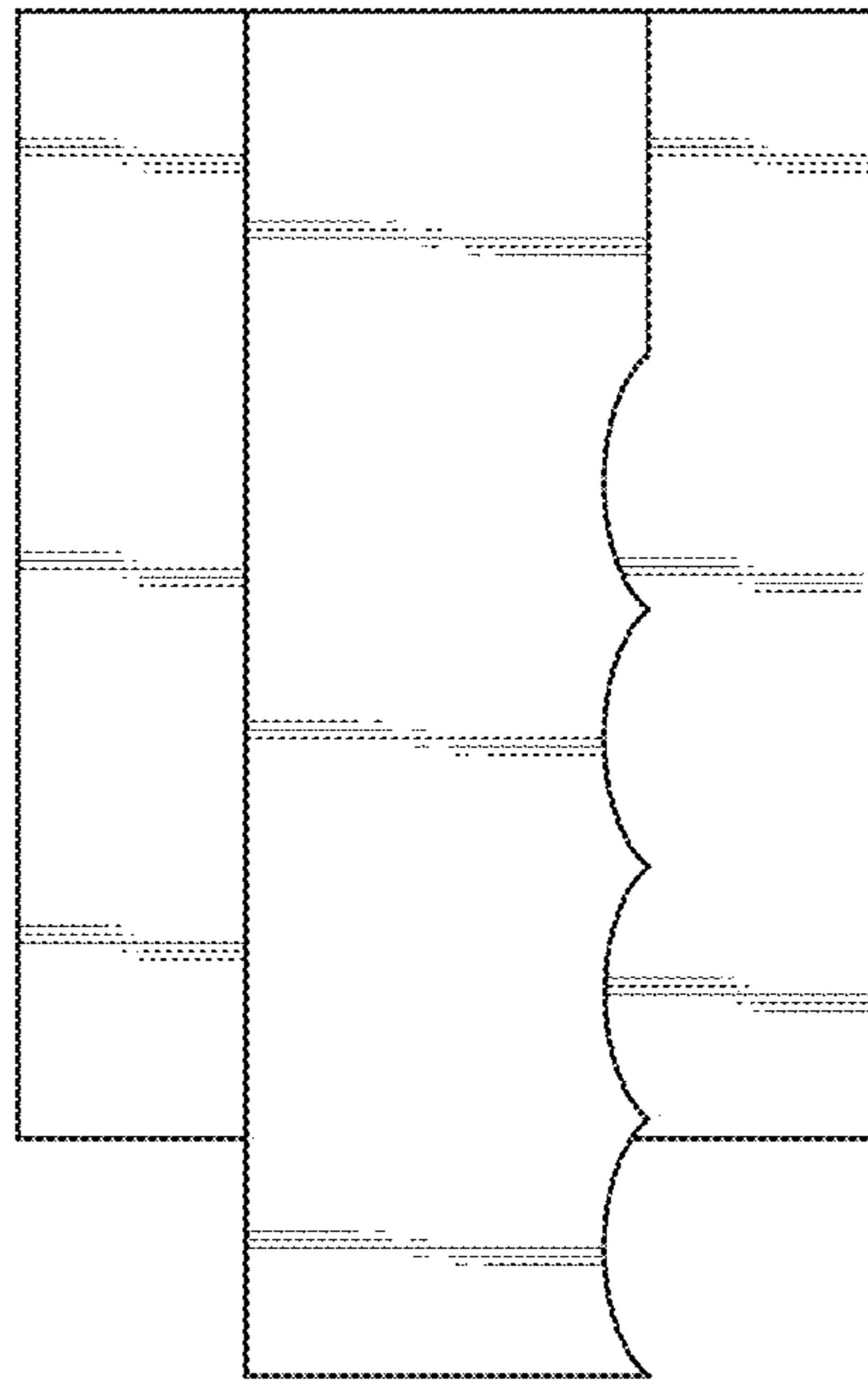


FIG. 6

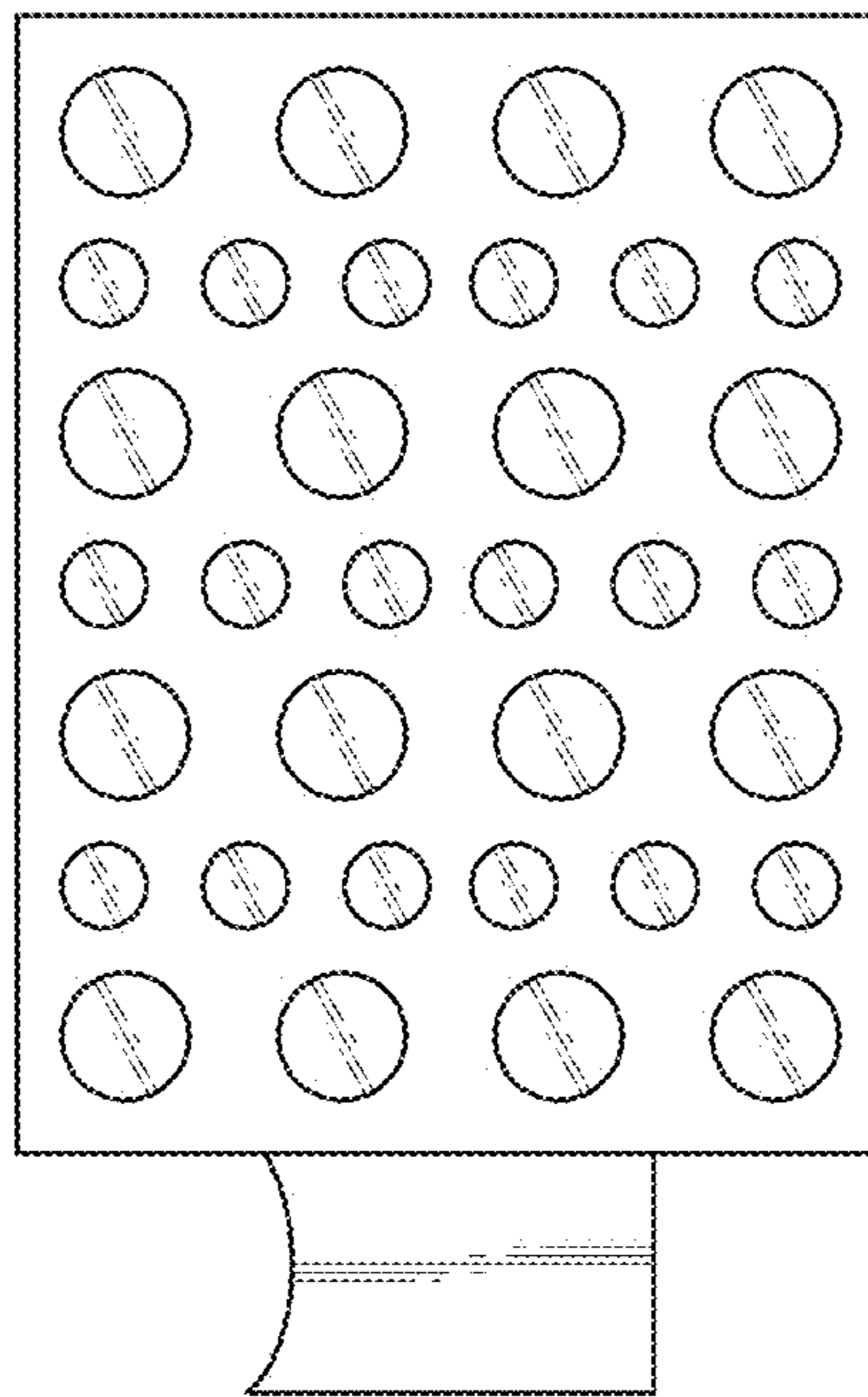


FIG. 7