



US00D919827S

(12) **United States Design Patent** (10) **Patent No.:** **US D919,827 S**
Lee et al. (45) **Date of Patent:** **** May 18, 2021**

(54) SCALP TREATMENT APPARATUS	8,192,473 B2 *	6/2012	Tucker	A61N 5/0616 607/91
(71) Applicant: LG ELECTRONICS INC., Seoul (KR)	D777,339 S *	1/2017	Chen	D24/209
	D872,293 S *	1/2020	Chen	D24/209
	D896,977 S *	9/2020	Chen	D24/209
(72) Inventors: Gayeong Lee, Seoul (KR); Sooyoung Park, Seoul (KR); Sanghoon Yoon, Seoul (KR)	D898,930 S *	10/2020	Lee	D24/209
	D909,595 S *	2/2021	Lee	D24/209
	2011/0015707 A1 *	1/2011	Tucker	A61N 5/0616 607/90
	2015/0005854 A1 *	1/2015	Said	A61N 5/0617 607/91
(73) Assignee: LG Electronics Inc., Seoul (KR)	2015/0297914 A1 *	10/2015	Hamid	A61N 5/0617 607/89
(**) Term: 15 Years	2016/0045763 A1 *	2/2016	Tapper	A61N 5/0617 607/91
(21) Appl. No.: 35/508,956				

* cited by examiner

Primary Examiner — Eliza Z Bennett-Hattan

(74) *Attorney, Agent, or Firm* — Birch, Stewart, Kolasch & Birch, LLP

(22) Filed: **Oct. 1, 2019**

(80) **Hague Agreement Data**

Int. Filing Date: **Oct. 1, 2019**
 Int. Reg. No.: **DM/205010**
 Int. Reg. Date: **Oct. 1, 2019**
 Int. Reg. Pub. Date: **Apr. 3, 2020**

(30) **Foreign Application Priority Data**

Apr. 8, 2019 (KR) 30-2019-0016418

(51) **LOC (13) Cl.** **28-08**

(52) **U.S. Cl.**
USPC **D24/209**

(58) **Field of Classification Search**
 USPC D24/209, 200, 191, 110.3; D2/878, 892;
 D29/102
 CPC . A61B 5/0006; A61B 5/04012; A61B 5/0456;
 A61B 5/04085; A61B 5/0452; A61B
 5/044

See application file for complete search history.

(56) **References Cited**

U.S. PATENT DOCUMENTS

D635,686 S * 4/2011 Tucker D24/209
 D640,793 S * 6/2011 Britt D24/209

(57) **CLAIM**

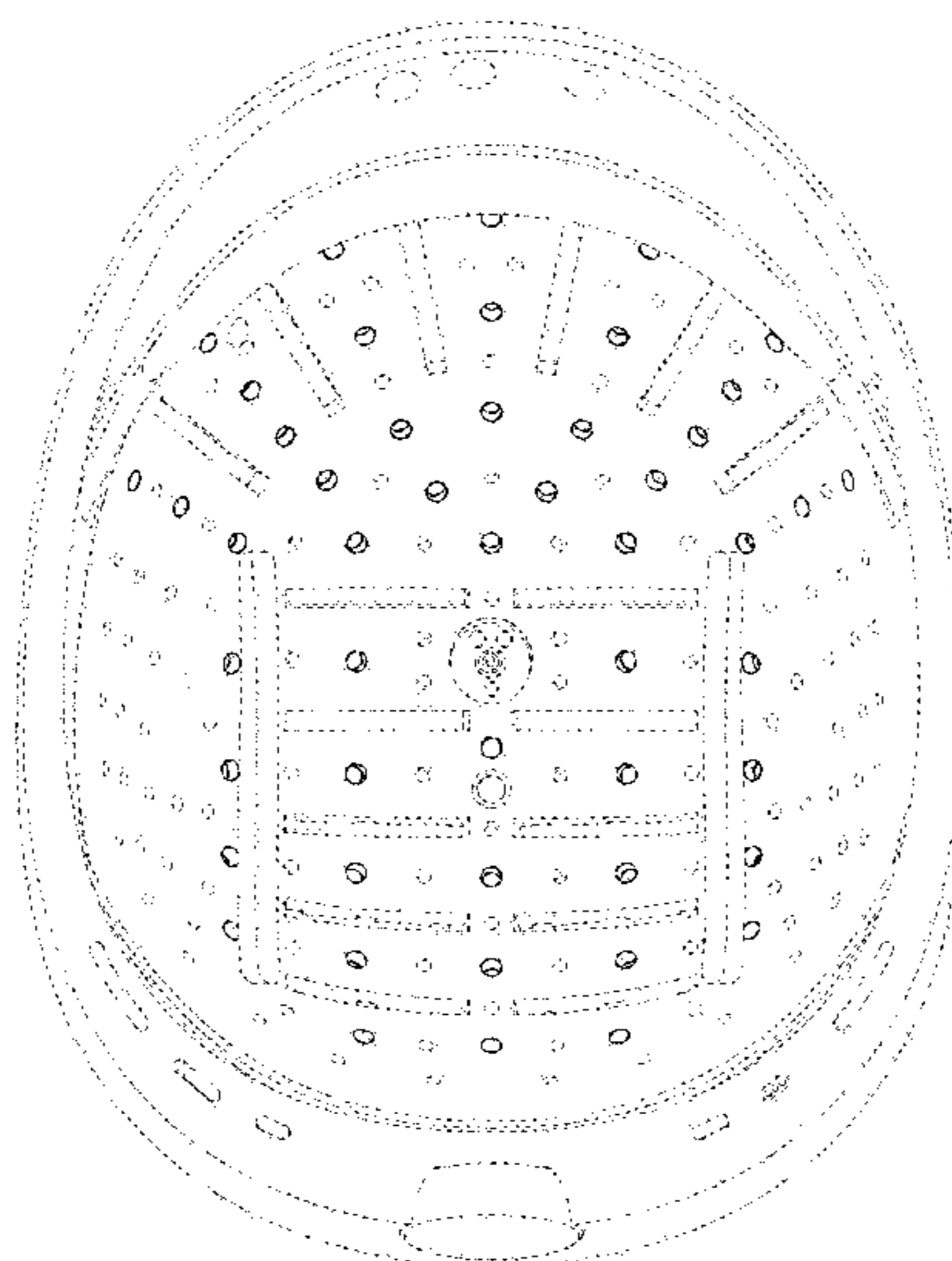
The ornamental design for a scalp treatment apparatus, as shown and described.

DESCRIPTION

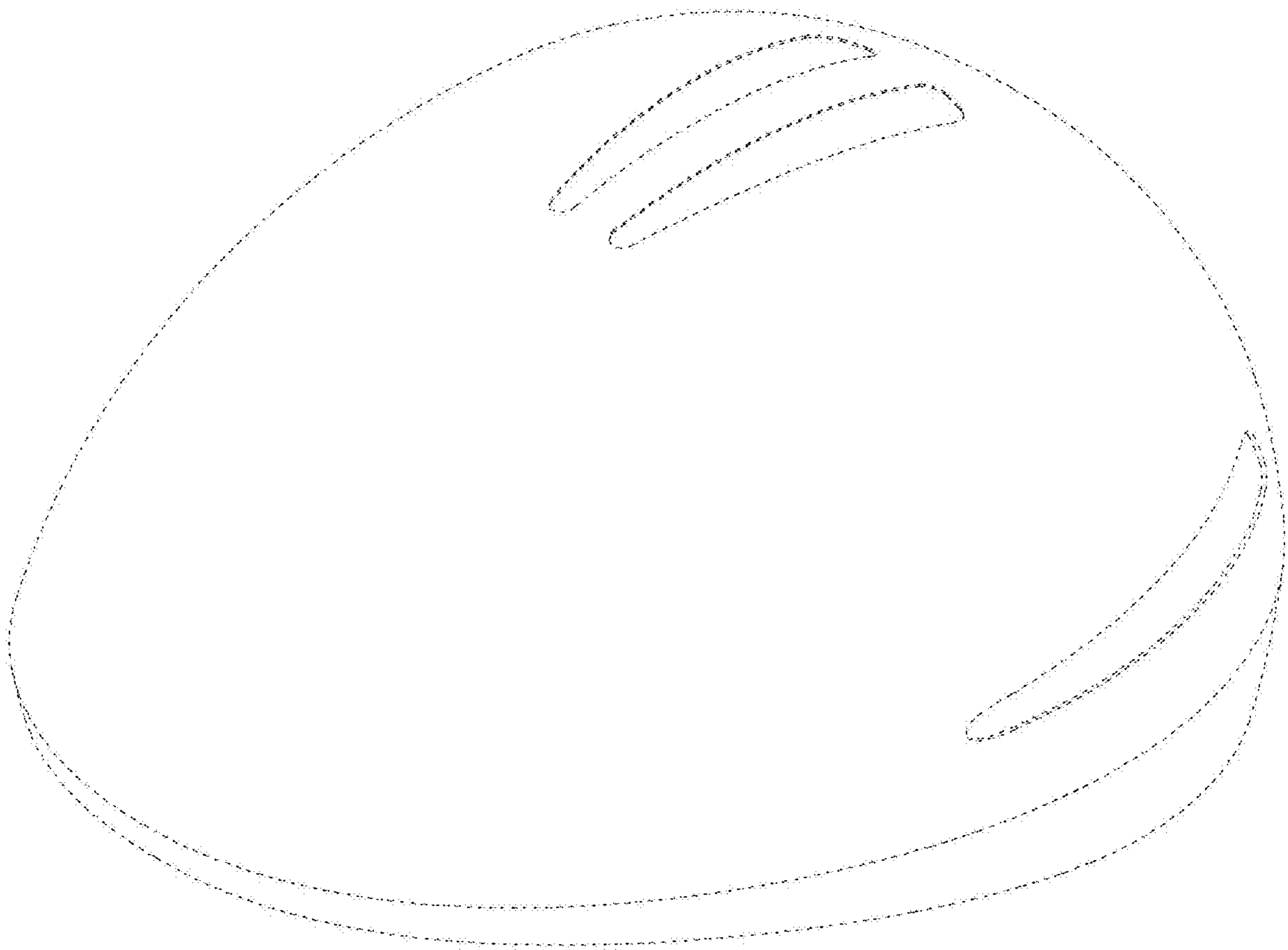
1. Scalp treatment apparatus
- 1.1 : Perspective
- 1.2 : Bottom perspective view
- 1.3 : Front
- 1.4 : Back
- 1.5 : Left
- 1.6 : Right
- 1.7 : Top
- 1.8 : Bottom

The broken lines indicate unclaimed portions of the article that form no part of the claimed design.

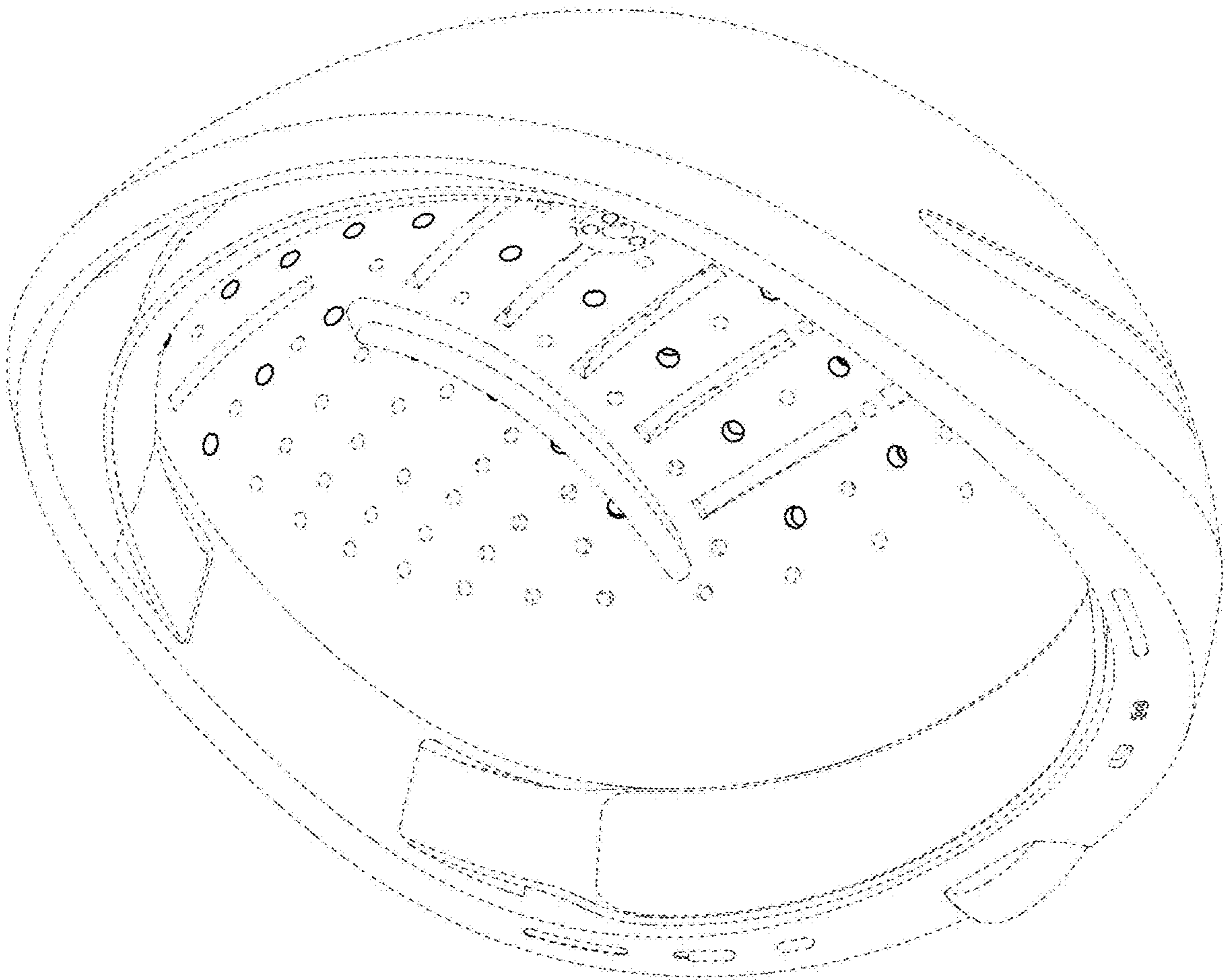
1 Claim, 8 Drawing Sheets



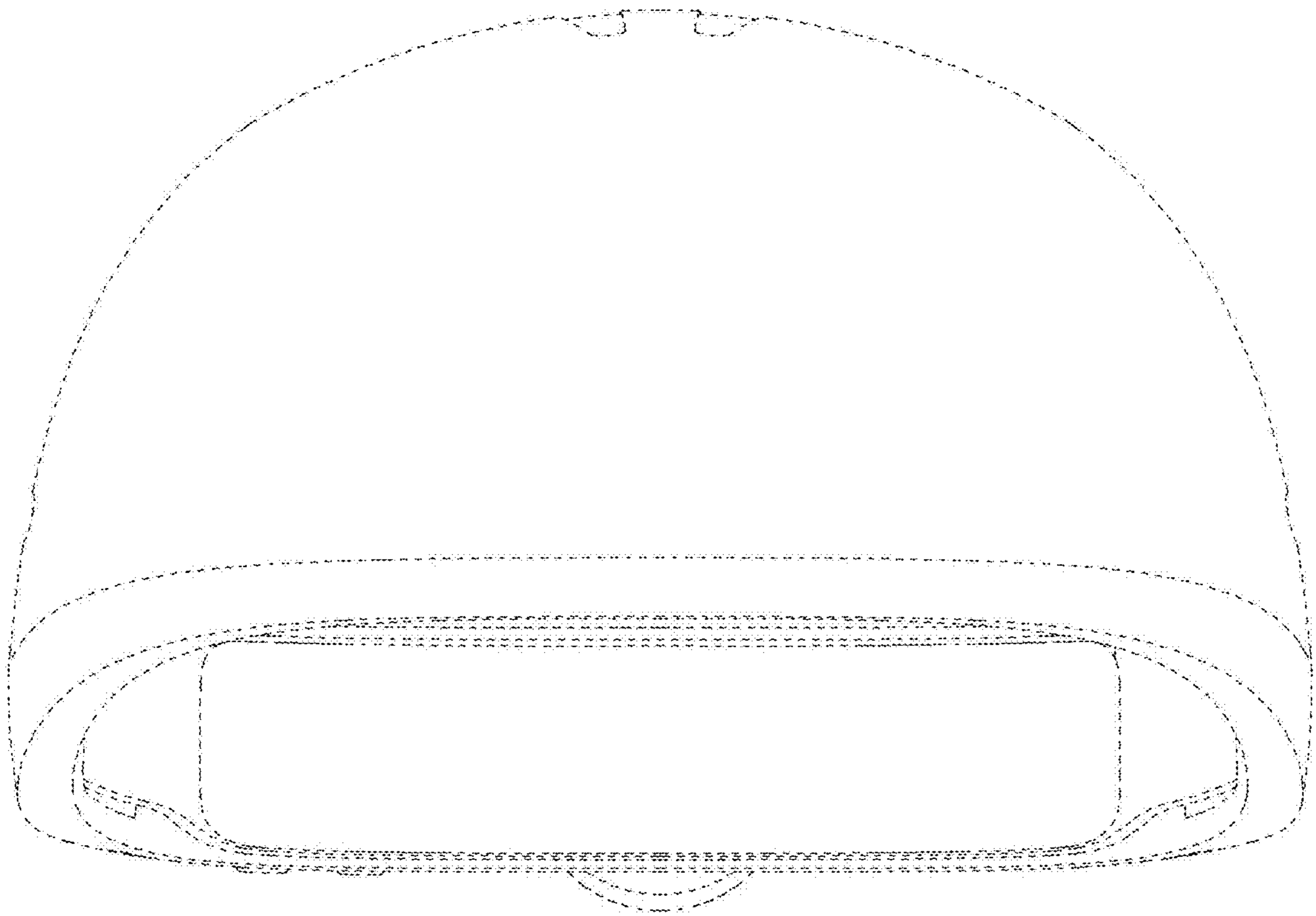
1.1



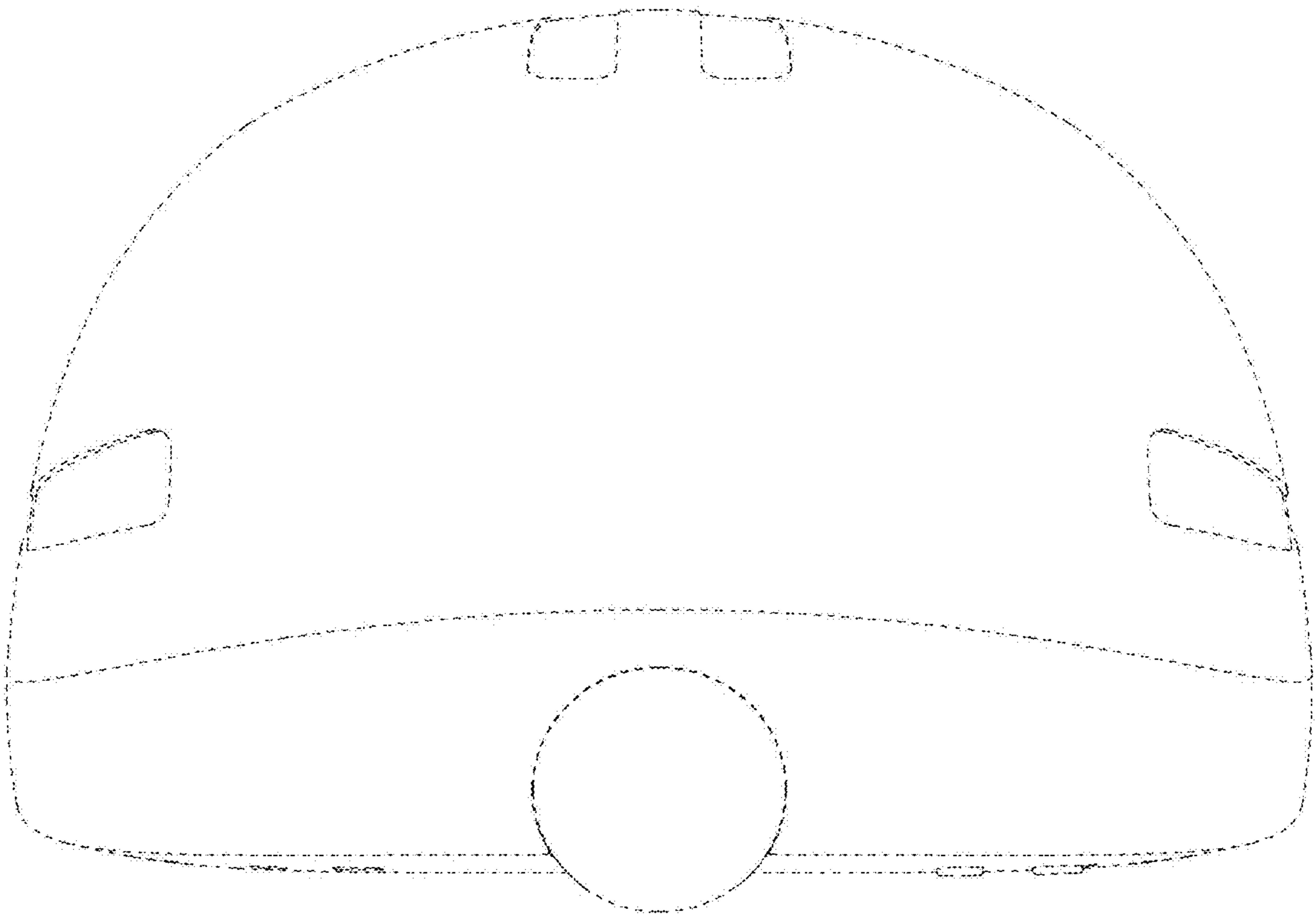
1.2



1.3



1.4



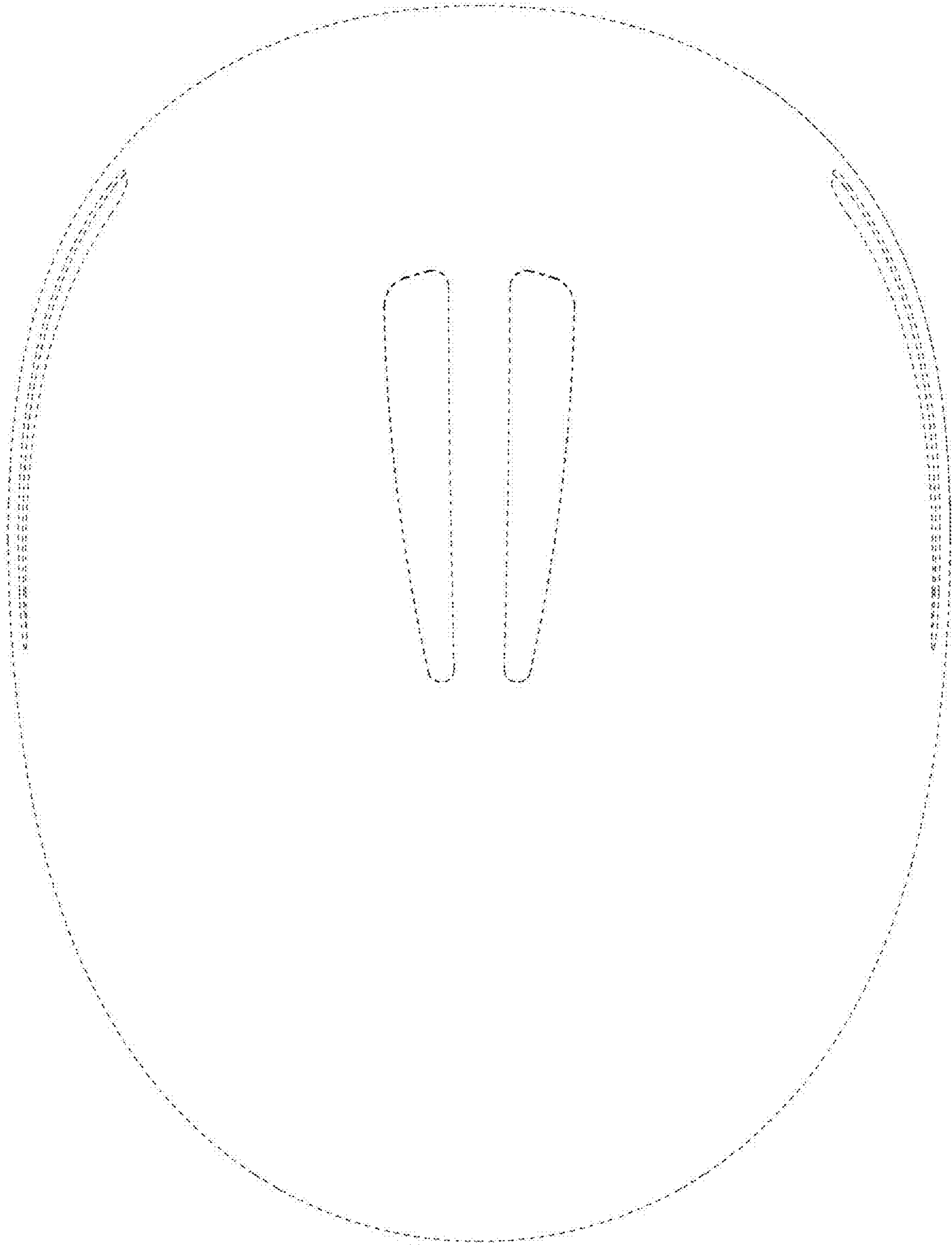
1.5



1.6



1.7



1.8

