



US00D919825S

(12) **United States Design Patent** (10) **Patent No.:** **US D919,825 S**
Yang (45) **Date of Patent:** **** May 18, 2021**

(54) **STERILIZATION DEVICE**

(71) Applicant: **SHENZHEN ANTOP TECHNOLOGY CO., LTD**, Shenzhen (CN)

(72) Inventor: **Ruidian Yang**, Shenzhen (CN)

(73) Assignee: **SHENZHEN ANTOP TECHNOLOGY CO., LTD**, Shenzhen (CN)

(**) Term: **15 Years**

(21) Appl. No.: **29/740,984**

(22) Filed: **Jul. 8, 2020**

(30) **Foreign Application Priority Data**

Jun. 28, 2020 (CN) 202030336304.1

(51) **LOC (13) Cl.** **28-03**

(52) **U.S. Cl.**
USPC **D24/209**

(58) **Field of Classification Search**
USPC D24/216, 217, 218, 219, 232, 209, 210;
D32/1
CPC ... A61L 2/025; A61L 2/07; A61L 2/10; A61L
2/18; A61L 2/24; A61L 2/26; A61L
2202/10; A61L 2202/11; A61L 2202/14;
A61L 2202/23; A61L 2202/24; A61L
2202/122; A61L 2202/182

See application file for complete search history.

(56) **References Cited**

U.S. PATENT DOCUMENTS

D485,364 S * 1/2004 Lee D24/217
7,888,657 B1 * 2/2011 Zadro A61L 2/10
250/455.11
D652,529 S * 1/2012 Eum D24/217
D846,142 S * 4/2019 Yellen D24/217

(Continued)

OTHER PUBLICATIONS

Amazon.com: UV Light Sanitiser Portable Sterilizing Wand Folding UV Lamp Sterilizer for Hotel Household Wardrobe Toilet Car Pet Area. Retrived from Amazon.com. Date first availabe Mar. 19, 2020.*

(Continued)

Primary Examiner — Anhdao Doan

(74) *Attorney, Agent, or Firm* — Olivo IP Law Group, PC.; John W. Olivo, Jr.

(57) **CLAIM**

The ornamental design for a sterilization device, as shown and described.

DESCRIPTION

FIG. 1 is a front elevation view of a first sterilization device of the present invention;

FIG. 2 is a rear elevation view thereof;

FIG. 3 is a left-side elevation view thereof;

FIG. 4 is a right-side elevation view thereof;

FIG. 5 is a top plan view thereof;

FIG. 6 is a bottom plan view thereof;

FIG. 7 is a front perspective view thereof; and

FIG. 8 is a rear perspective view thereof;

FIG. 9 is a front elevation view of a second sterilization device of the present invention;

FIG. 10 is a rear elevation view thereof;

FIG. 11 is a left-side elevation view thereof;

FIG. 12 is a right-side elevation view thereof;

FIG. 13 is a top plan view thereof;

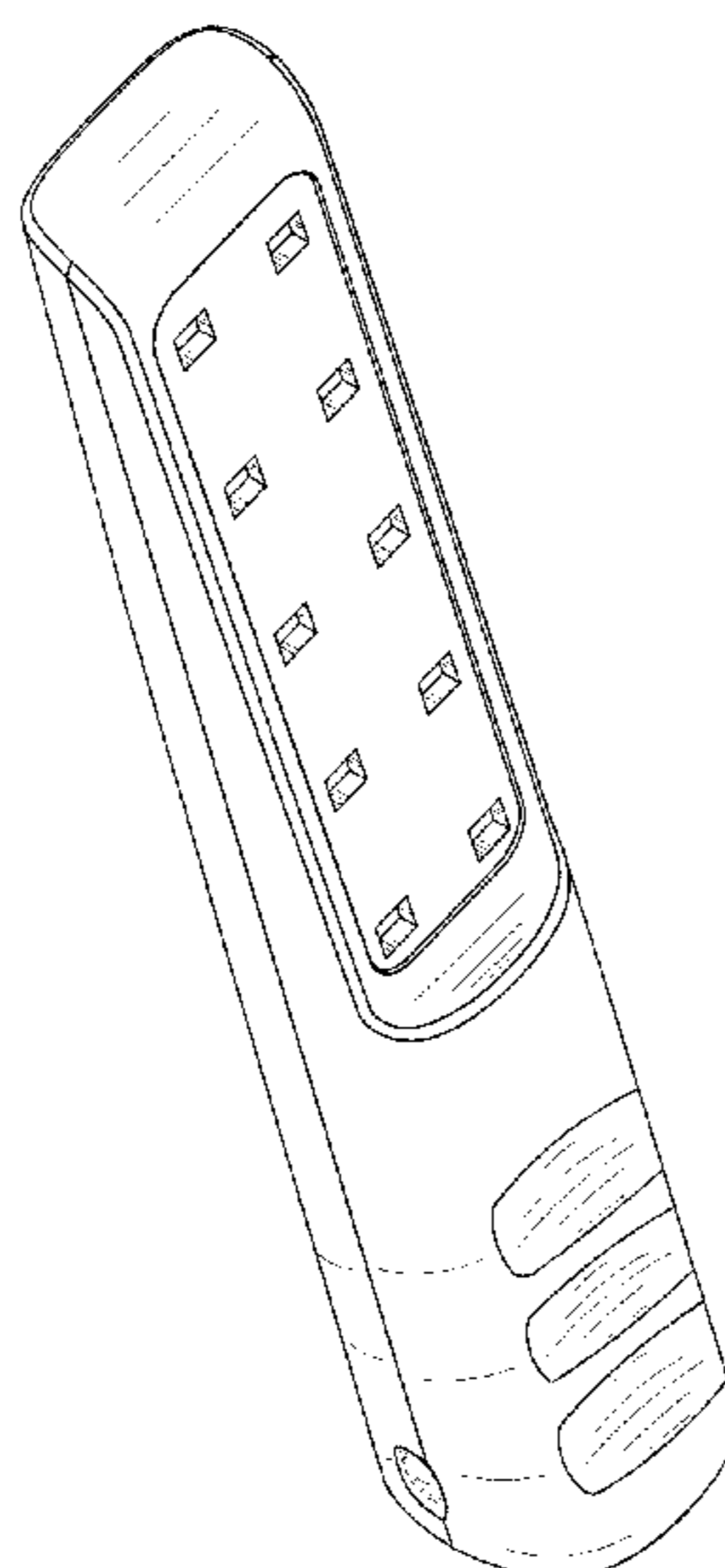
FIG. 14 is a bottom plan view thereof;

FIG. 15 is a front perspective view thereof; and,

FIG. 16 is a rear perspective view thereof.

The broken lines shown in the drawings are for the purpose of illustrating portions of the sterilization device that form no part of the claimed design. The broken lines form no part of the claimed design.

1 Claim, 16 Drawing Sheets



(56)

References Cited

U.S. PATENT DOCUMENTS

D870,313 S * 12/2019 Ou Yang D24/217
D898,219 S * 10/2020 Xie D24/217
2012/0112100 A1* 5/2012 Lo A61L 2/10
250/492.1

OTHER PUBLICATIONS

UV Sanitizer Wand Rechargeable usb UV Disinfection Lamp Hand-held Portable UV Germicidal Lamp UV Light Sanitizer Travel for Home. Retrived from lmal.com on Dec. 6, 2020. Available posting date is unknown.*

Amazon.com: EarthPush UV Light Sanitizer Wand | Portable USB Rechargeable Ultraviolet Light Wand with Upgraded UVC LEDs . . . Retrived from Amazon.com. Customers reviewed in Nov. 2020.*

* cited by examiner

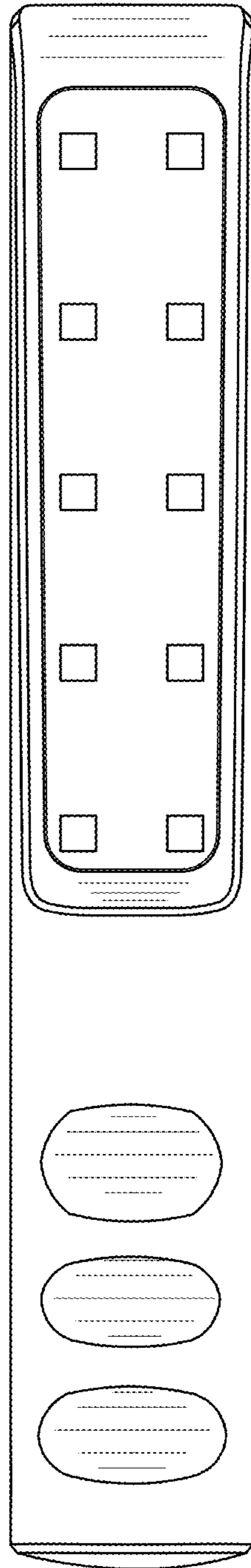


FIG. 1

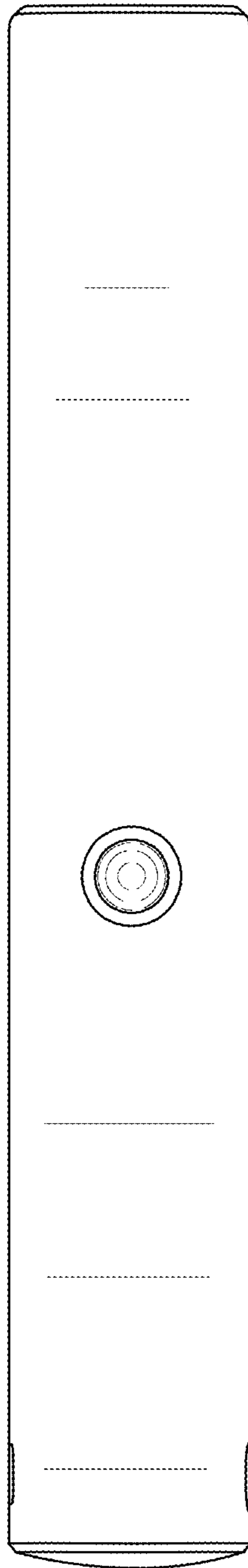


FIG. 2

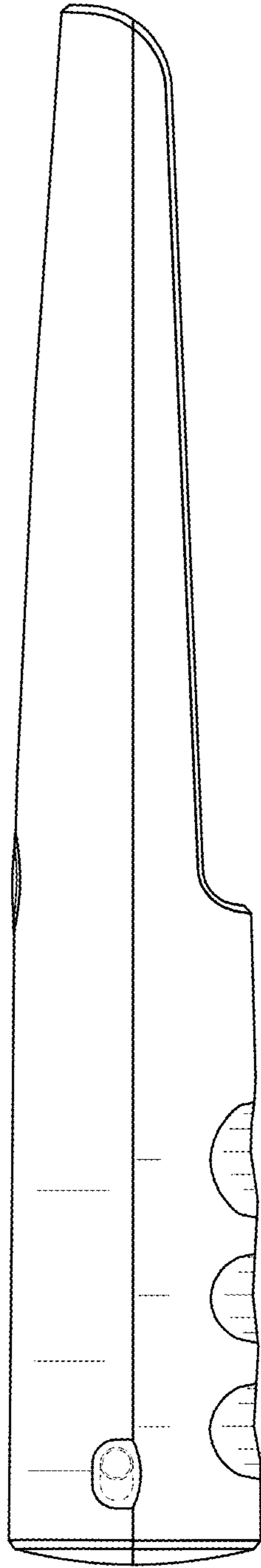


FIG. 3

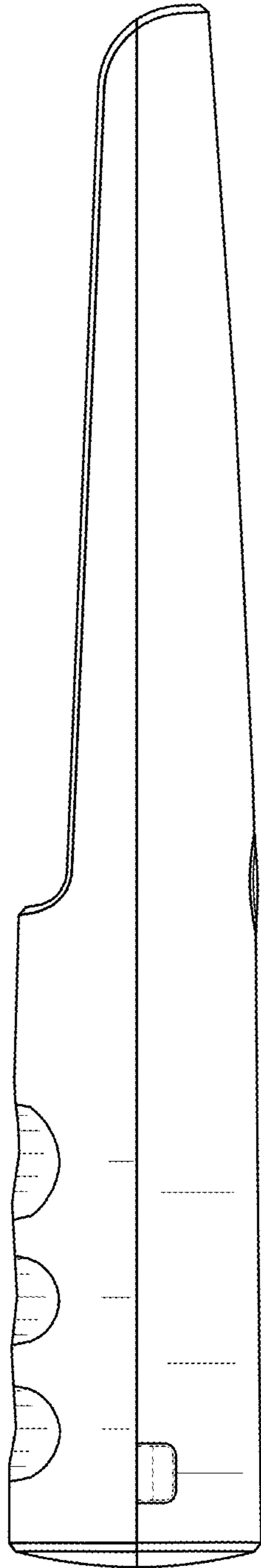


FIG. 4

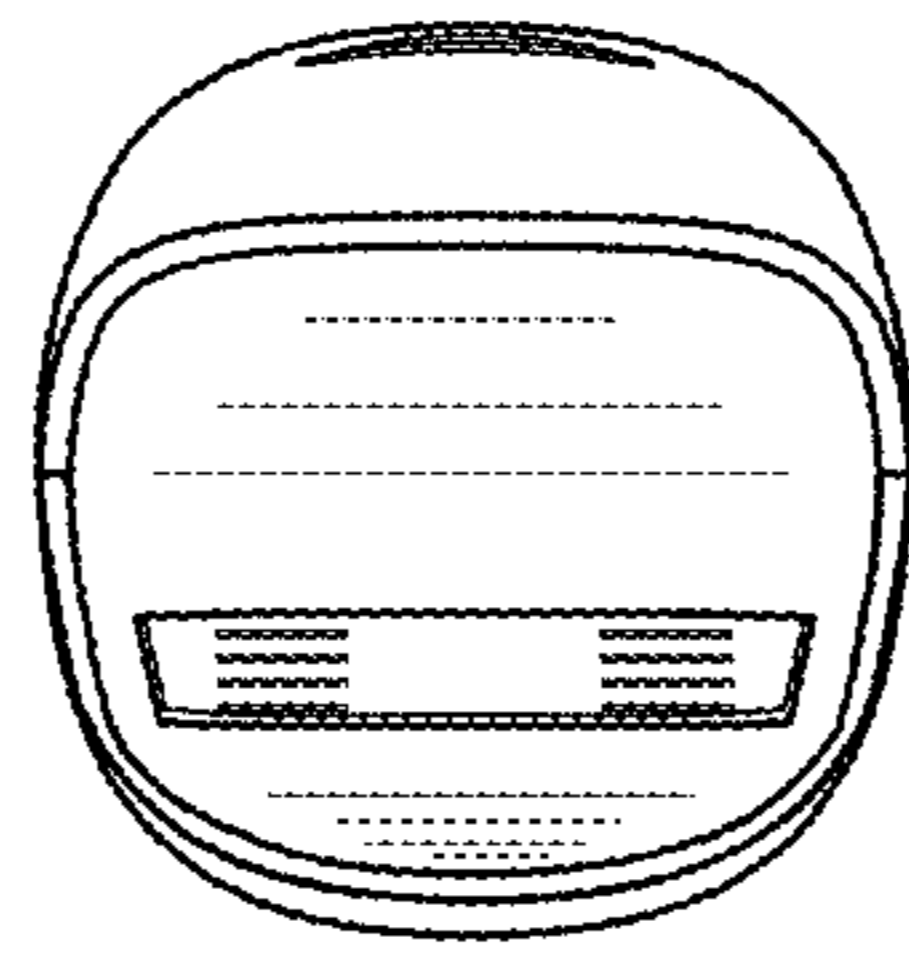


FIG. 5

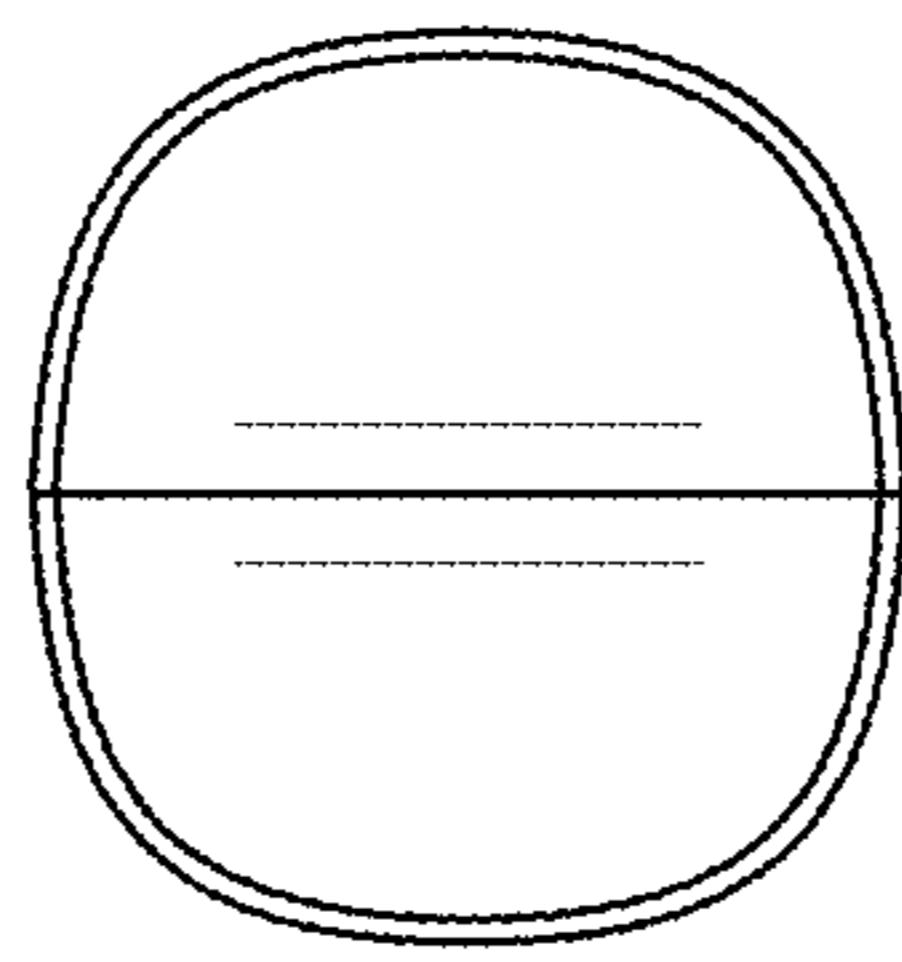


FIG. 6

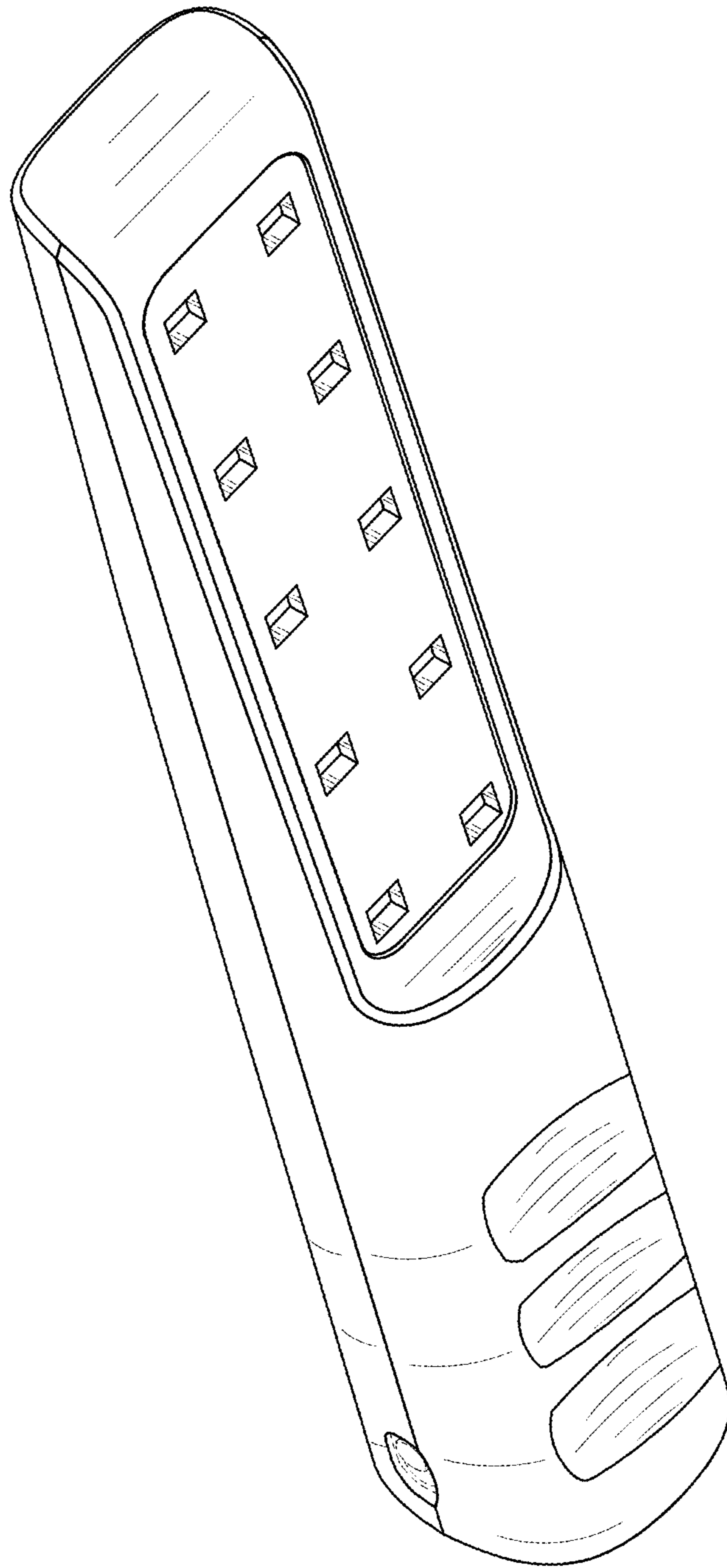


FIG. 7

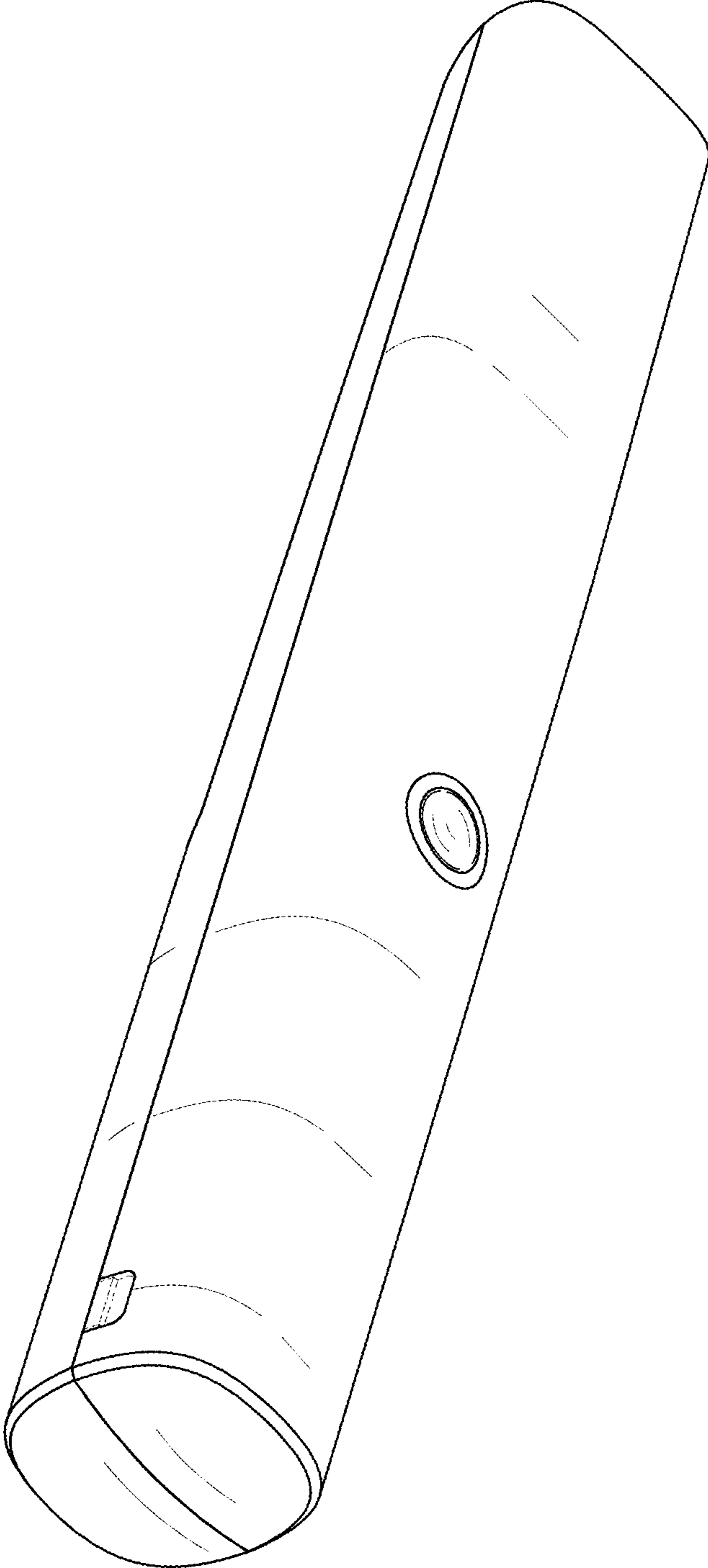


FIG. 8

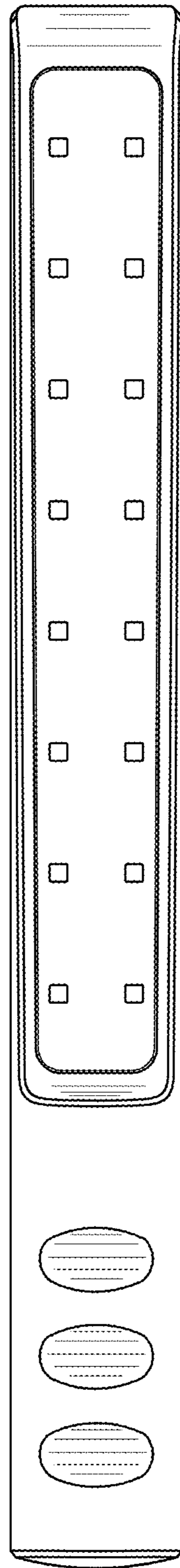


FIG. 9



FIG. 10

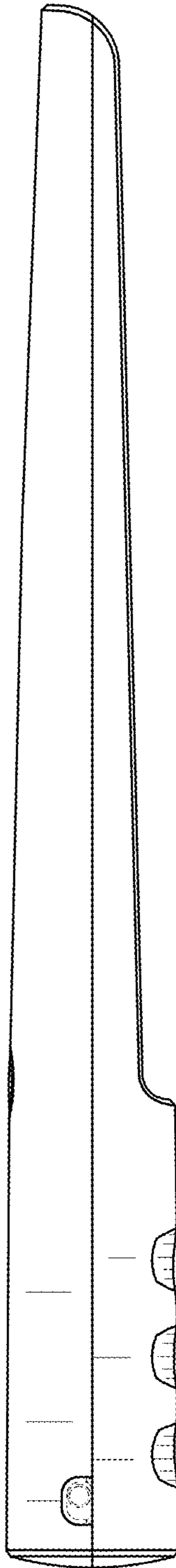


FIG. 11

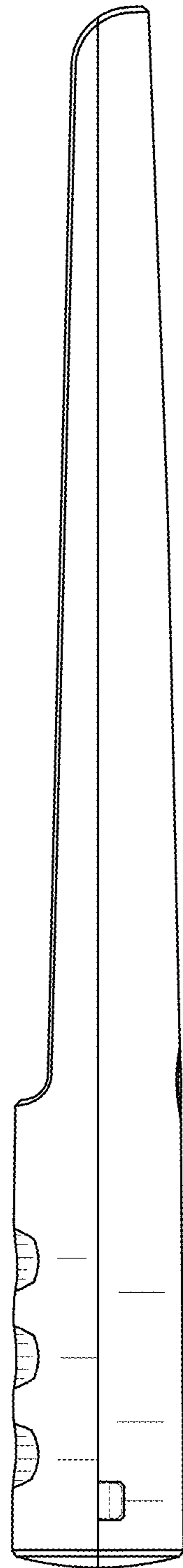


FIG. 12

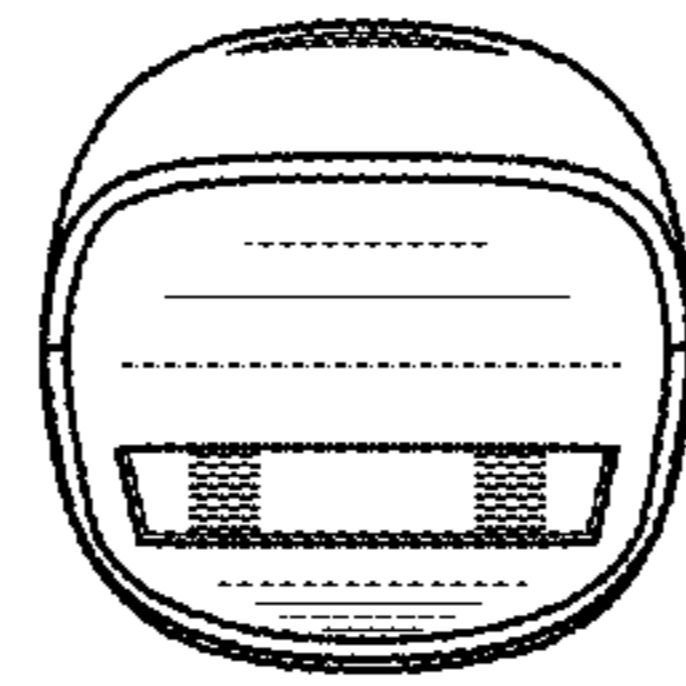


FIG. 13

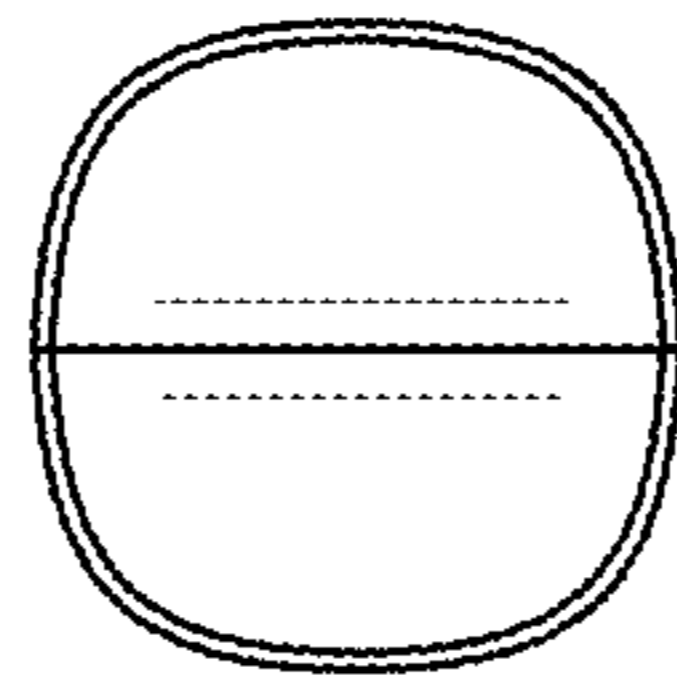


FIG. 14

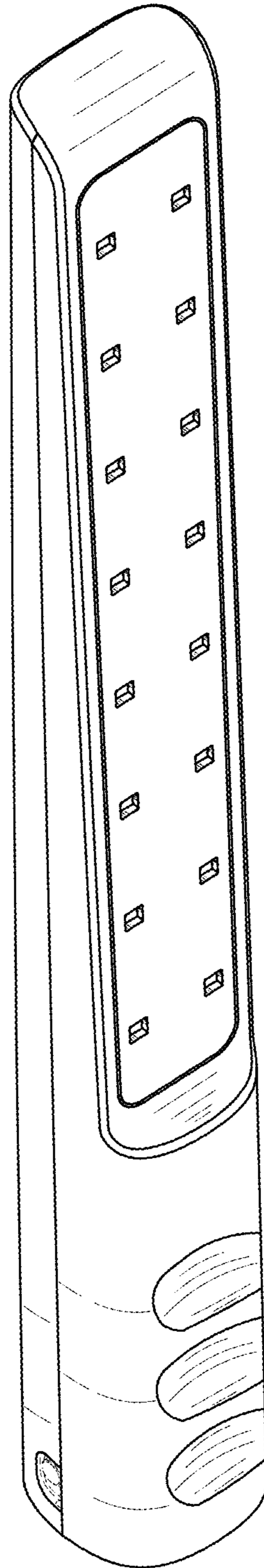


FIG. 15

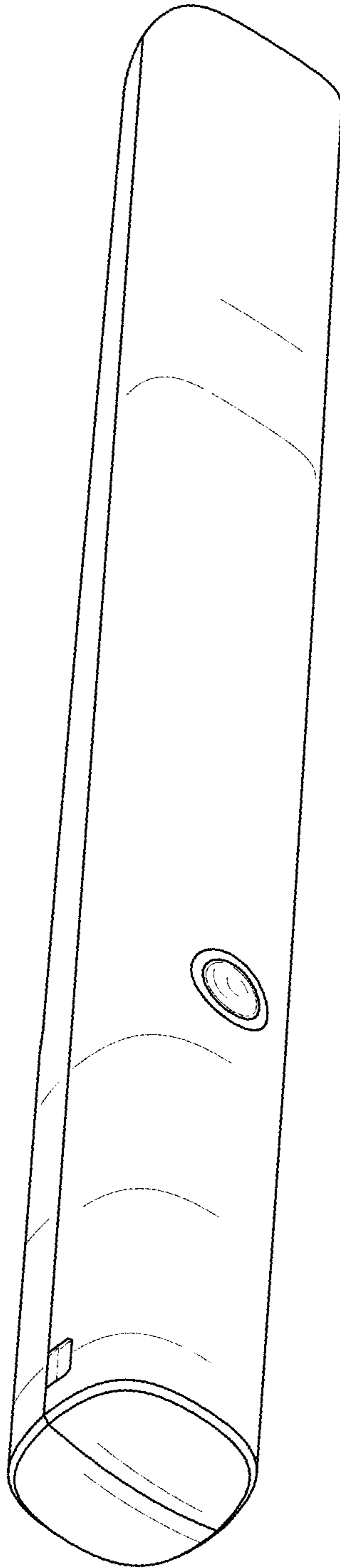


FIG. 16