



US00D919822S

(12) **United States Design Patent** (10) **Patent No.:** **US D919,822 S**
Wang (45) **Date of Patent:** **** May 18, 2021**

(54) **FEEDING BOTTLE**

(71) Applicant: **Rengao Wang**, Taizhou (CN)

(72) Inventor: **Rengao Wang**, Taizhou (CN)

(**) Term: **15 Years**

(21) Appl. No.: **29/688,490**

(22) Filed: **Apr. 22, 2019**

(51) **LOC (13) Cl.** **07-01**

(52) **U.S. Cl.**
USPC **D24/197**

(58) **Field of Classification Search**
USPC D24/193, 194, 195, 196, 197, 198, 199;
D7/392, 510, 511, 619.1; D9/516, 530,
D9/719, 761; D3/316, 229
CPC A61J 9/00; A61J 9/0623
See application file for complete search history.

(56) **References Cited**

U.S. PATENT DOCUMENTS

D347,066	S *	5/1994	Malcolm	D24/197
5,316,160	A *	5/1994	Cautereels	A61J 11/04
					215/11.1
D441,087	S *	4/2001	Johansen	D24/197
D497,671	S *	10/2004	Renz	D24/197
H2200	H *	9/2007	Horton	D24/197
7,798,347	B2 *	9/2010	Rees	A61J 9/006
					215/11.5
D766,451	S *	9/2016	Chan	D24/197
D869,668	S *	12/2019	Lv	D24/197
D873,426	S *	1/2020	Tyler	D24/197
2004/0256345	A1 *	12/2004	Lundquist	A61J 11/04
					215/11.5
2014/0291272	A1 *	10/2014	Weil	A61J 9/00
					215/11.5
2016/0081884	A1 *	3/2016	Palmer	A61J 11/0035
					215/11.5
2019/0110956	A1 *	4/2019	Smith	A61J 11/045

OTHER PUBLICATIONS

“Dodie: Initiation+ Glass Baby Bottle”. Found online Oct. 8, 2020 at amazon.co.uk. Reference dated Jun. 28, 2016. Retrieved from

https://www.amazon.co.uk/Dodie-Glass-Bottle-Initiation-Months/dp/B01F91MX4U/ref=sr_1_32?dchild=1.
*
“Mitsu Chem: Plastic Bottle—Triangular Shape”. Found online Oct. 8, 2020 at indiamart.com. Reference dated Oct. 16, 2015. Retrieved from <https://tineye.com/search/d6fd6a025c9eebbc48c8bb0c59413d5e63e6dde4?sort=score&order=desc&page=1>.
*
“De-Zeen: Borm Adaptive Baby Bottle”. Found online Oct. 8, 2020 at dezeen.com. Reference dated Feb. 19, 2019. Retrieved from <https://www.dezeen.com/2019/02/20/blond-design-hygienic-borm-baby-bottle/>.
*
“Upis Pura Feeding Bottle”. Found online May 28, 2020 at facebook.com. Reference dated Dec. 26, 2019. Retrieved from <https://www.facebook.com/kidsplaza.com.vn/posts/3578035665570715/>.
*

* cited by examiner

Primary Examiner — Kendra Leslie Hamilton
(74) *Attorney, Agent, or Firm* — Chun-Ming Shih; Best Int’l Patent & trademark

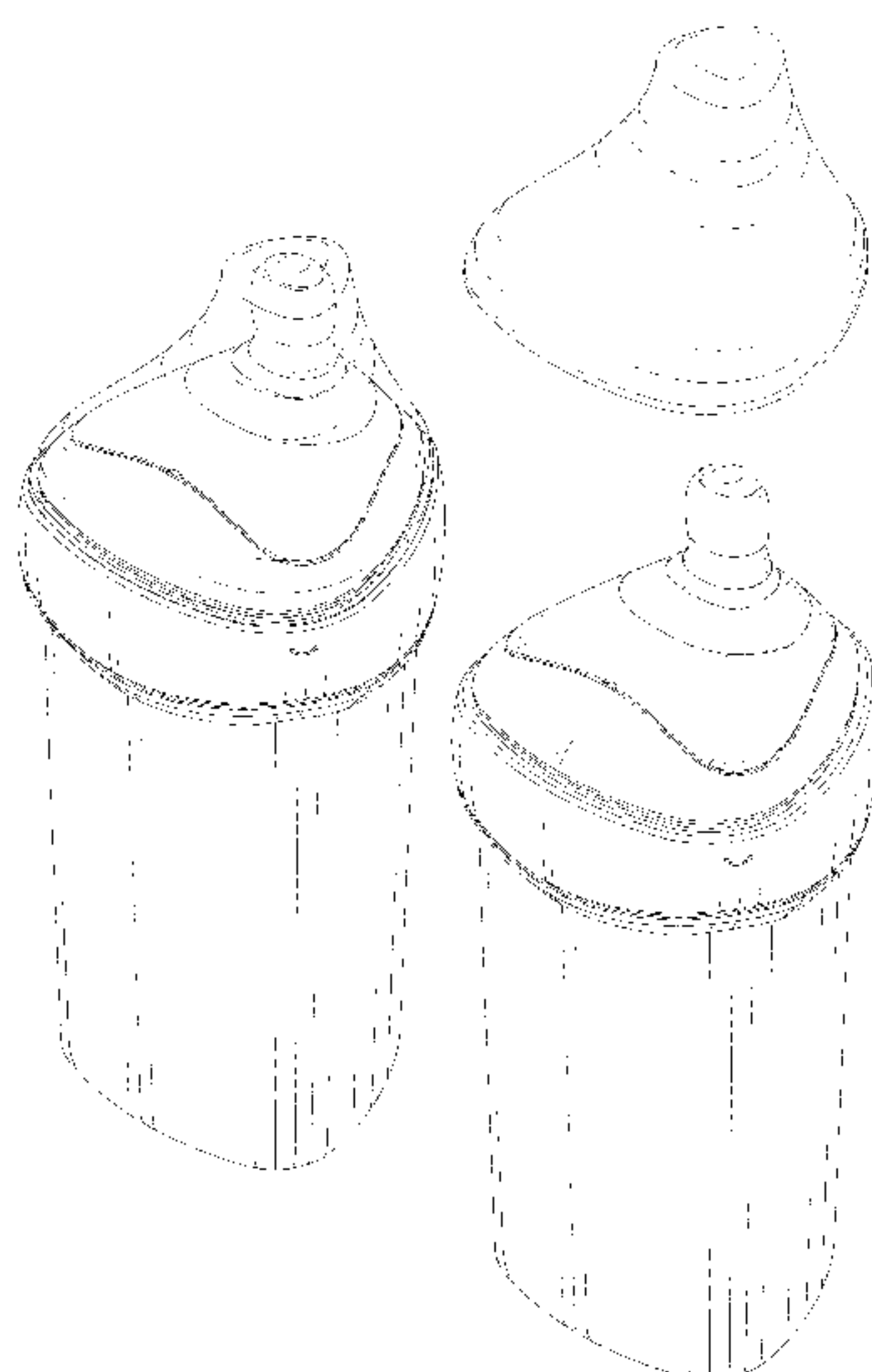
(57) **CLAIM**

The ornamental design for a feeding bottle, as shown and described.

DESCRIPTION

FIG. 1 is a top, front, left perspective view of a feeding bottle showing my new design;
FIG. 2 is a front elevation view thereof;
FIG. 3 is a rear elevation view thereof;
FIG. 4 is a left side view thereof;
FIG. 5 is a right side view thereof;
FIG. 6 is a top plan view thereof;
FIG. 7 is a bottom view thereof; and,
FIG. 8 is a top, front, left perspective view of the feeding bottle of FIG. 1, shown exploded for clarity of disclosure. The equal-length broken lines in the drawings depict portions of the feeding bottle that form no part of the claimed design.

1 Claim, 7 Drawing Sheets



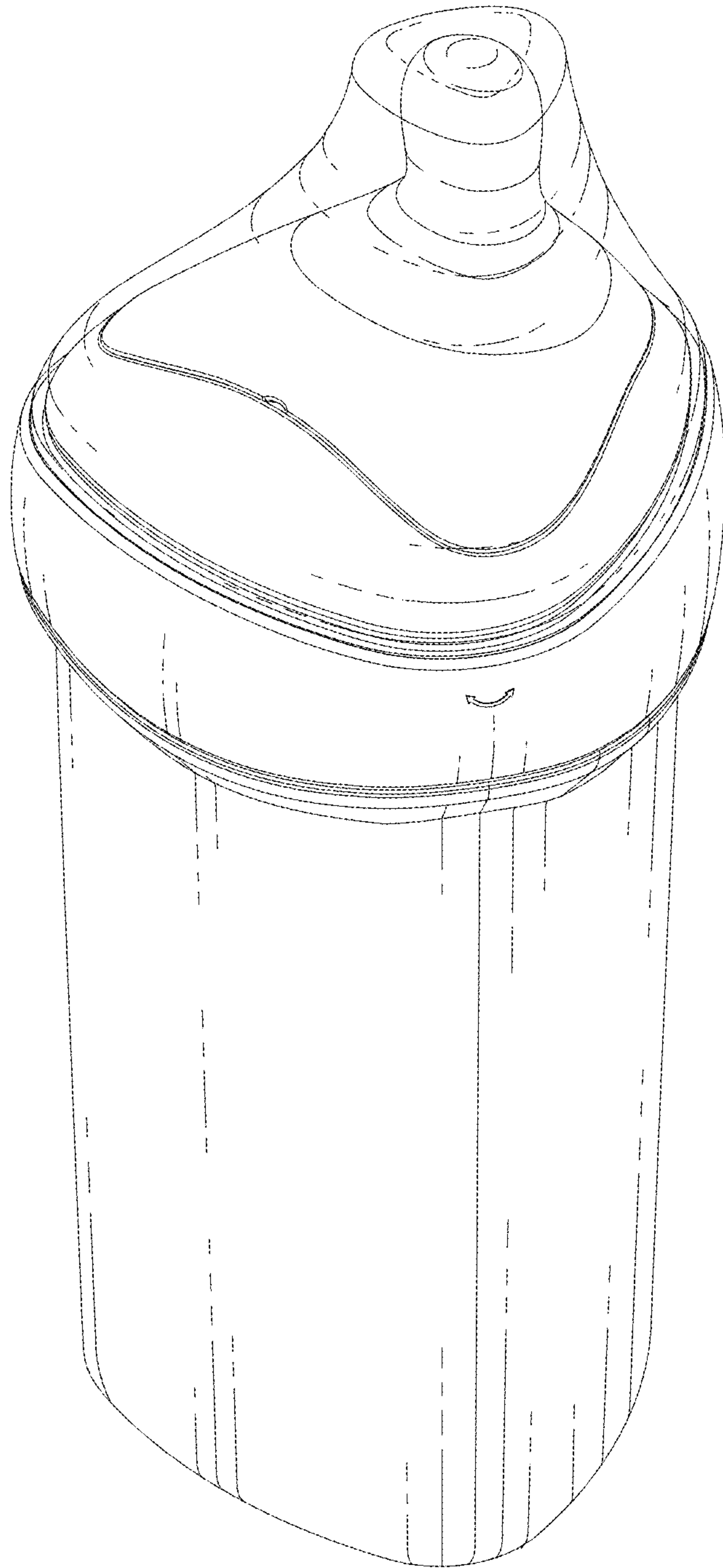


FIG. 1

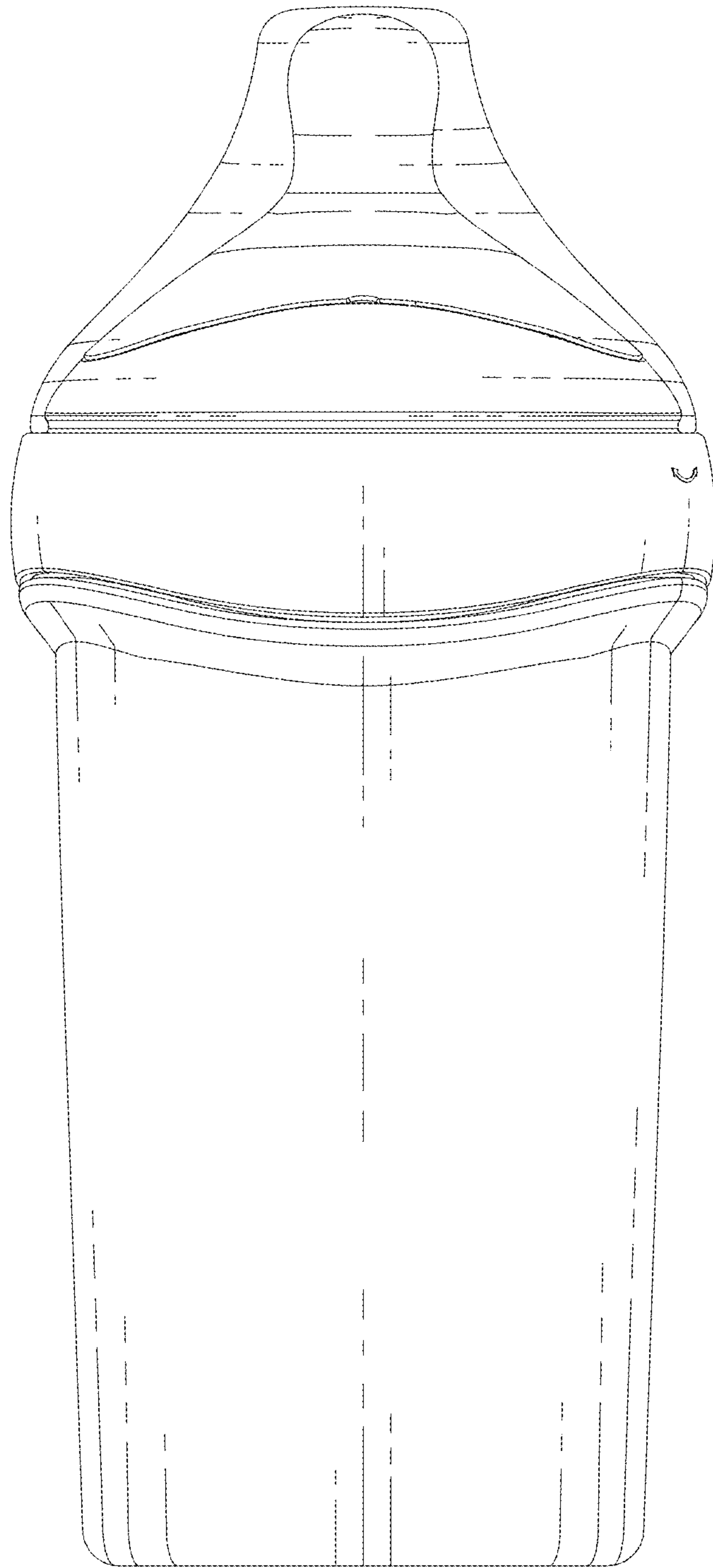


FIG. 2

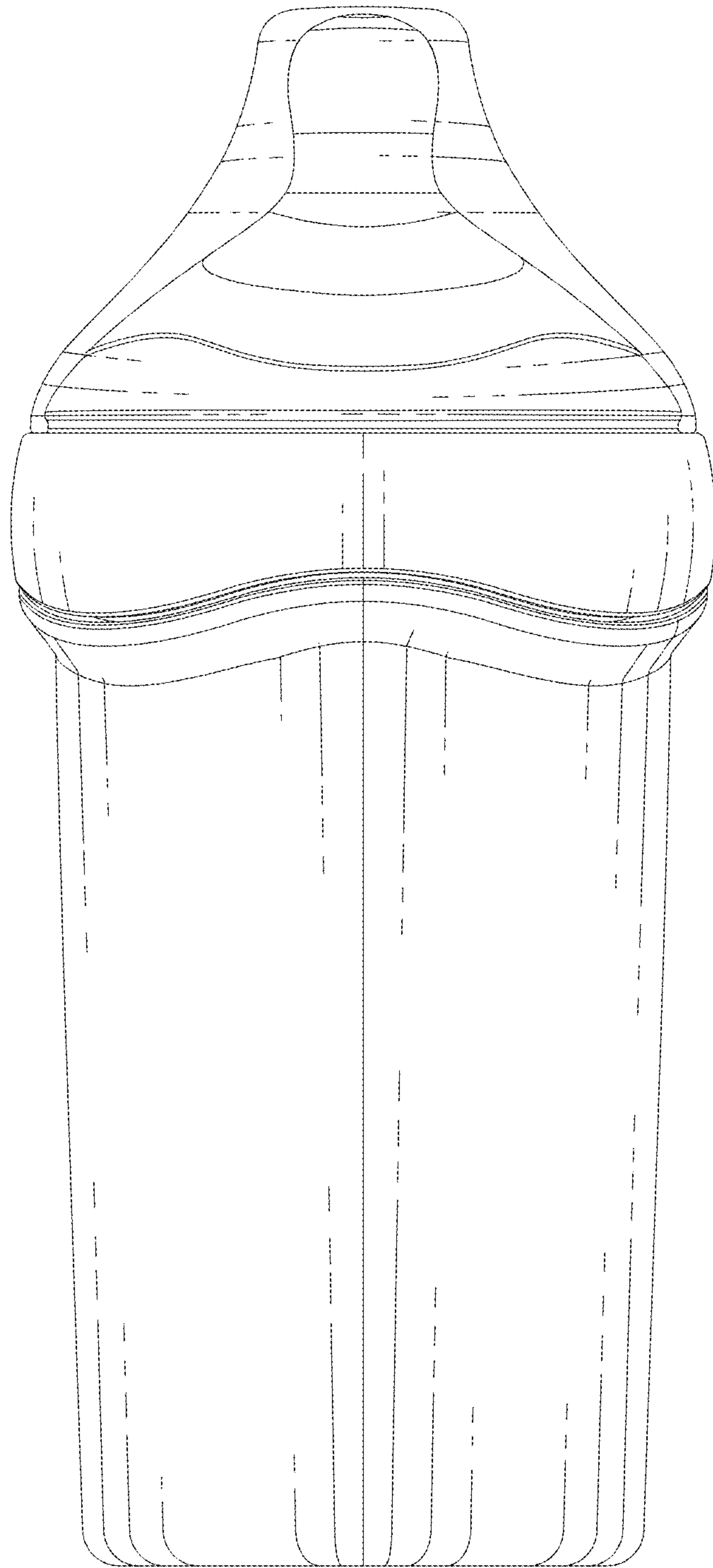


FIG. 3

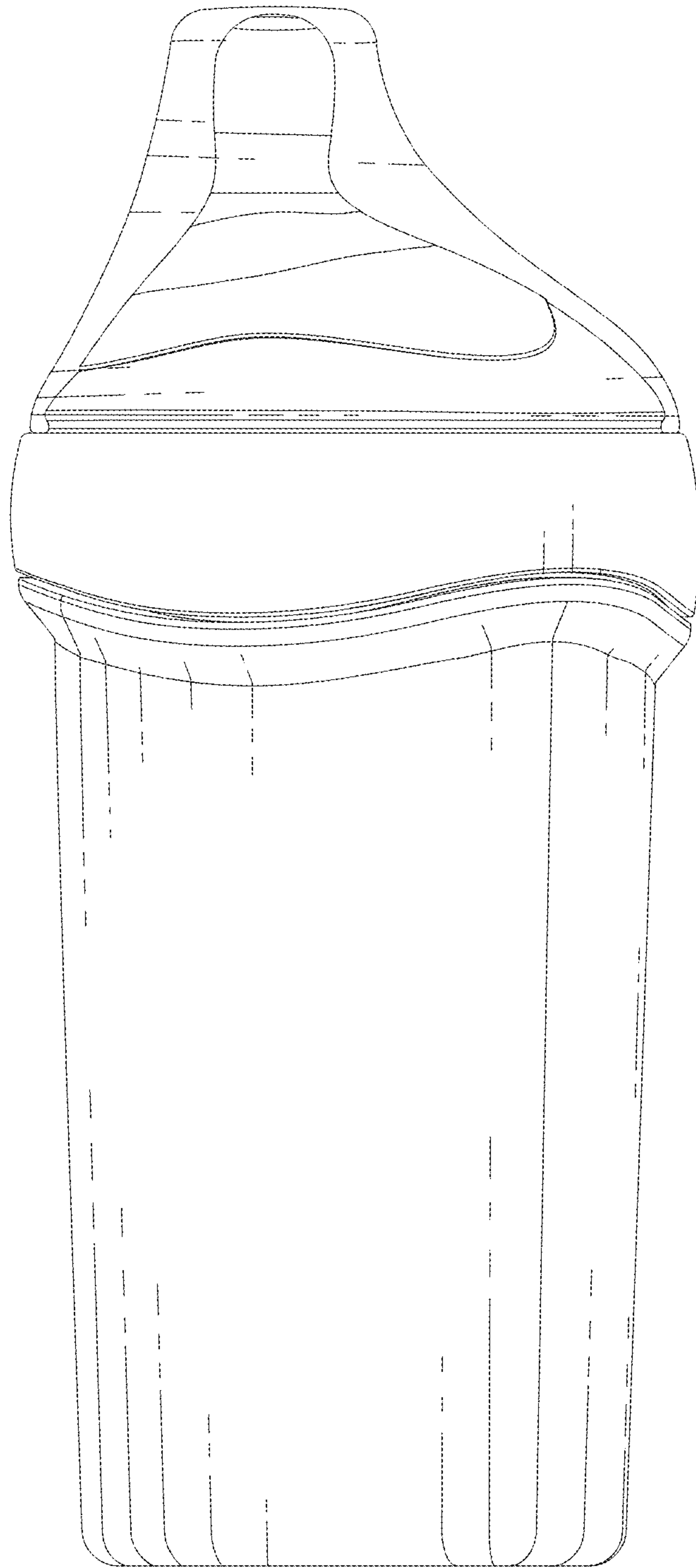


FIG. 4

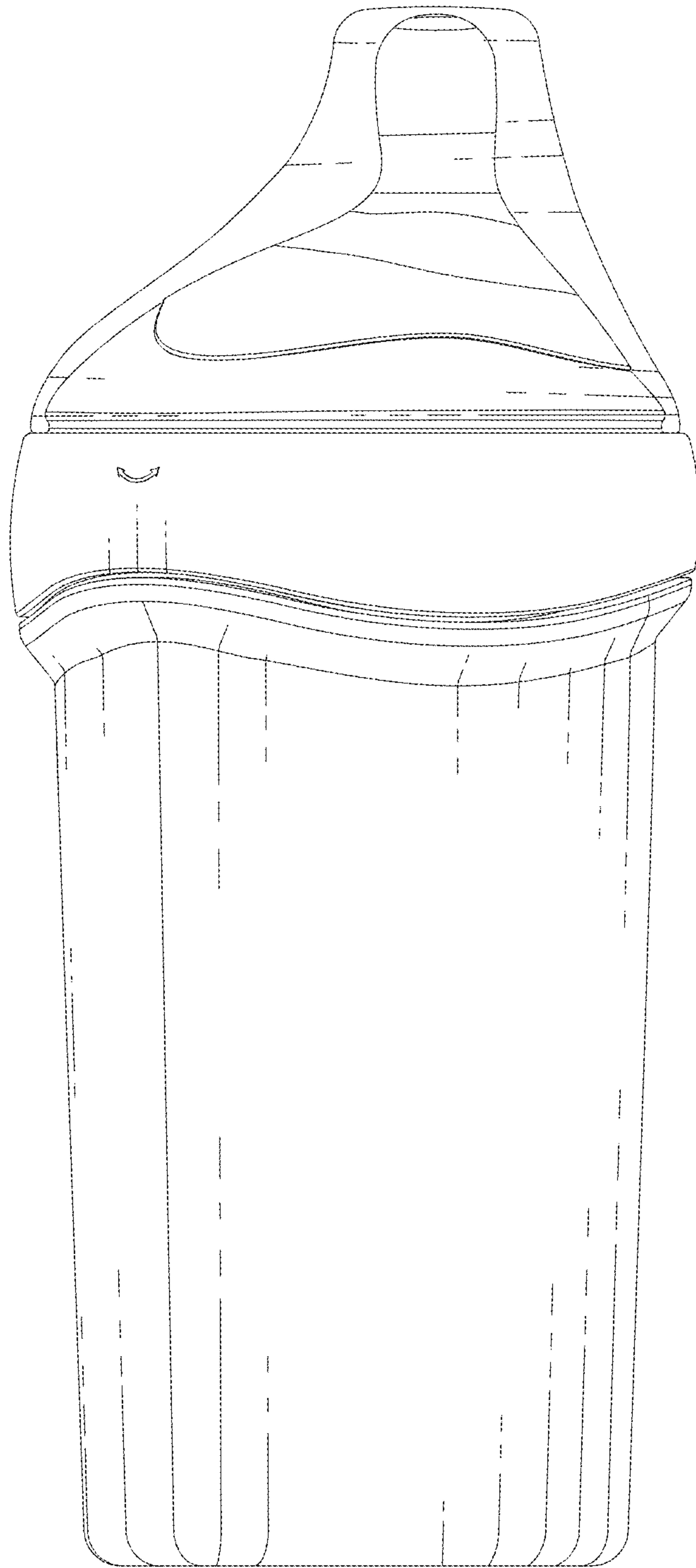


FIG. 5

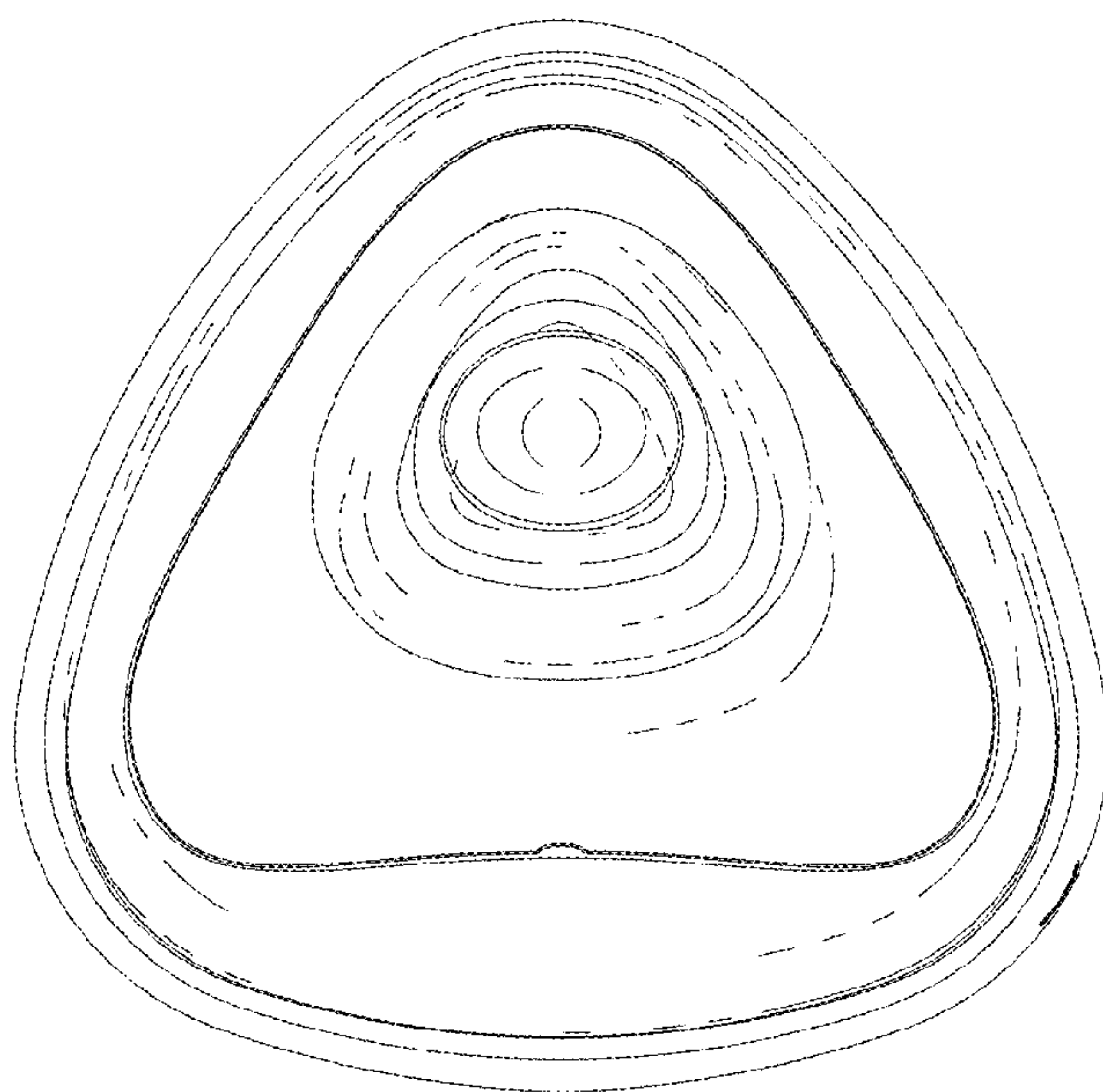


FIG. 6

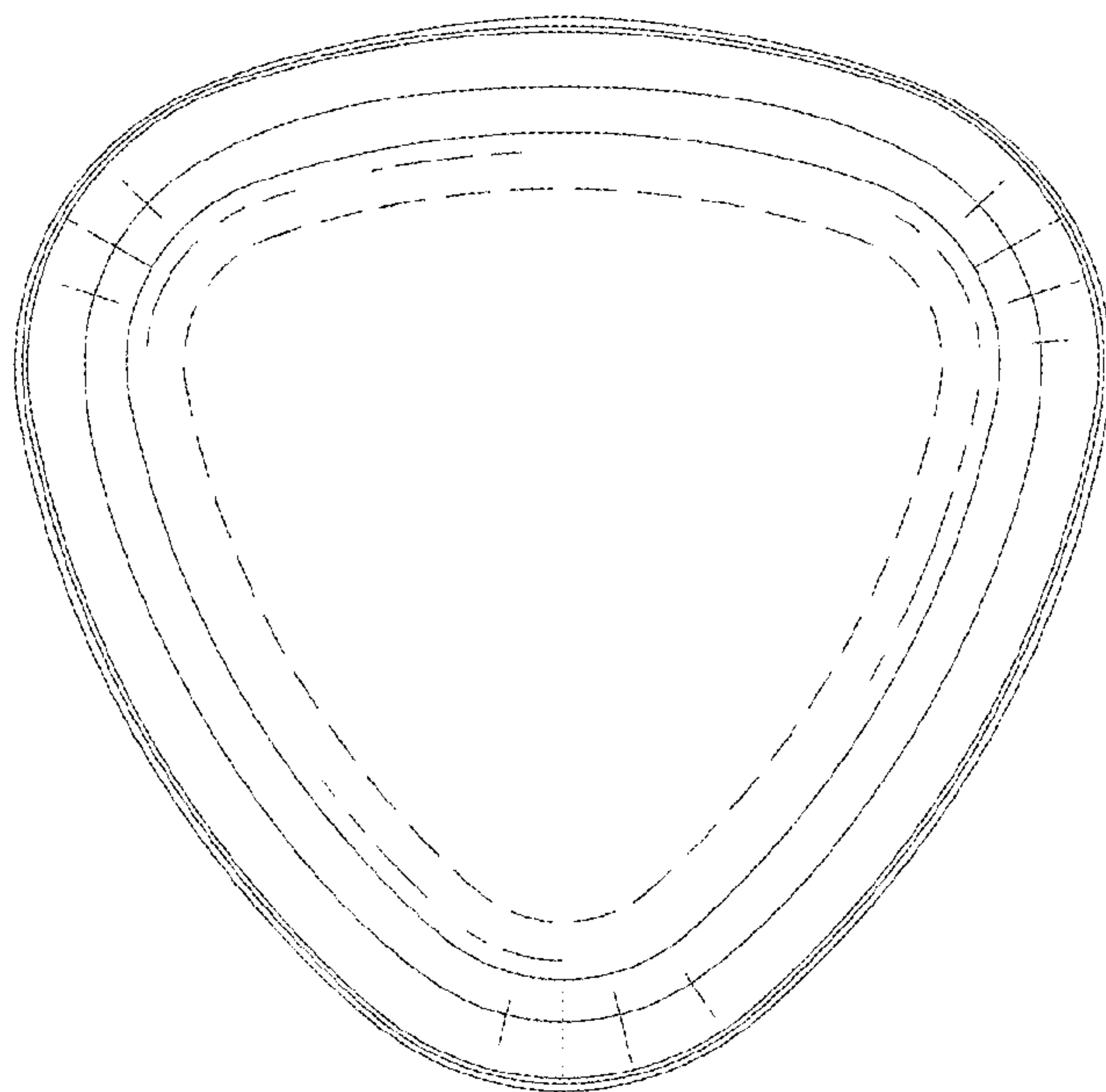


FIG. 7

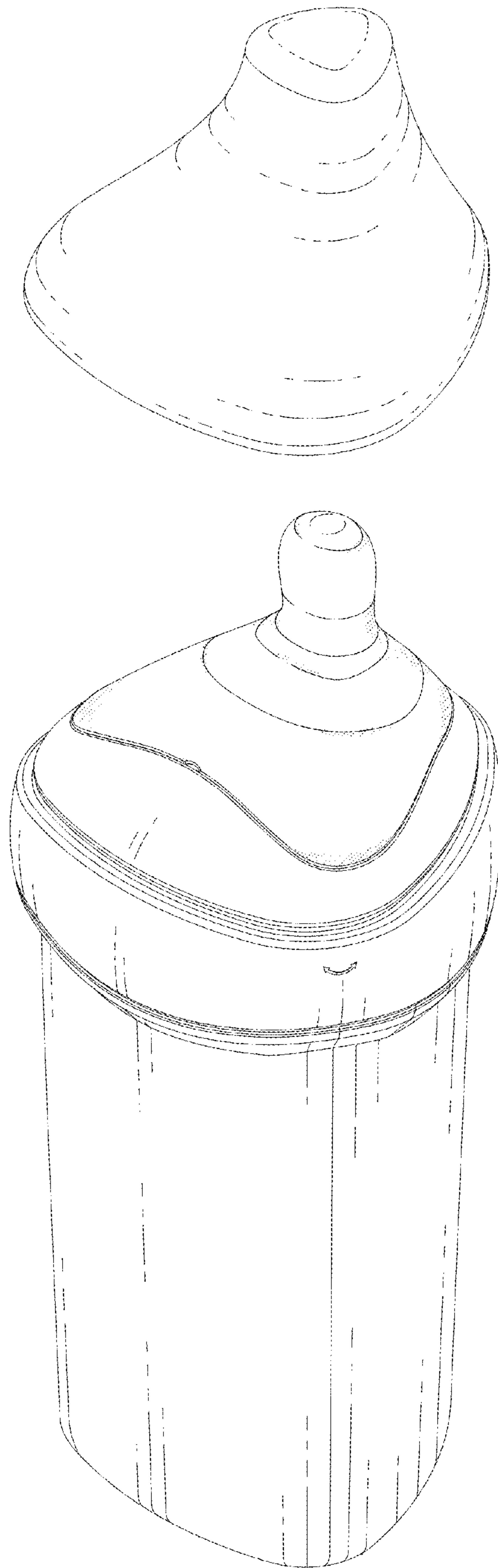


FIG. 8