



US00D919819S

(12) **United States Design Patent** (10) **Patent No.:** **US D919,819 S**
Nair et al. (45) **Date of Patent:** **** May 18, 2021**

(54) **WEARABLE PREGNANCY MONITORING APPARATUS**

(71) Applicant: **Biorithm Pte. Ltd.**, Singapore (SG)
 (72) Inventors: **Amrish Nair**, Singapore (SG); **Diane Davis Ansermet**, Singapore (SG); **Vilasini Nair D/O Vasu**, Singapore (SG); **Sihem Tedjar**, Singapore (SG)

(73) Assignee: **Biorithm Pte. Ltd.**, Singapore (SG)

(**) Term: **15 Years**

(21) Appl. No.: **29/701,894**

(22) Filed: **Aug. 15, 2019**

(30) **Foreign Application Priority Data**

Feb. 15, 2019 (SG) 30201906258P

(51) **LOC (13) Cl.** **24-01**

(52) **U.S. Cl.**
 USPC **D24/186**

(58) **Field of Classification Search**

USPC D24/107, 165–169, 185–187; D10/46, D10/70, 98

CPC ... A61B 5/742; A61B 5/14551; A61B 5/0205; A61B 5/02055; A61B 5/02405; A61B 5/02411; A61B 5/02438; A61B 5/02427; A61B 2560/0406; A61B 2560/0443; A61B 5/6801; A61B 5/6802; A61B 5/6824; A61B 5/6825; A61B 5/6829; A61B 5/6831; A61B 5/6832; A61B 5/6833; A61B 5/6838; A61B 2560/0412; A61B 2560/0462; A61B 2560/0468; A61B 2562/164

See application file for complete search history.

(56) **References Cited**

U.S. PATENT DOCUMENTS

D770,625 S *	11/2016	Aytekin	D24/167
D775,361 S *	12/2016	Vosch	D24/187
D779,457 S *	2/2017	Donovan	D14/216
D846,748 S *	4/2019	Benedikter	D24/186
D855,191 S *	7/2019	Hong	D24/186
D862,709 S *	10/2019	Besko	D24/187
D880,701 S *	4/2020	Oz	D24/167
D889,662 S *	7/2020	Hubelbank	D24/168
D890,347 S *	7/2020	Chang	D24/167
D890,348 S *	7/2020	Lam	D24/167
2016/0058363 A1 *	3/2016	Hayes-Gill	A61B 5/6804 600/588
2016/0120433 A1 *	5/2016	Hughes	A61B 5/04015 600/483

* cited by examiner

Primary Examiner — Anhdao Doan

(74) *Attorney, Agent, or Firm* — Womble Bond Dickinson (US) LLP; John J. Penny, Jr.

(57) **CLAIM**

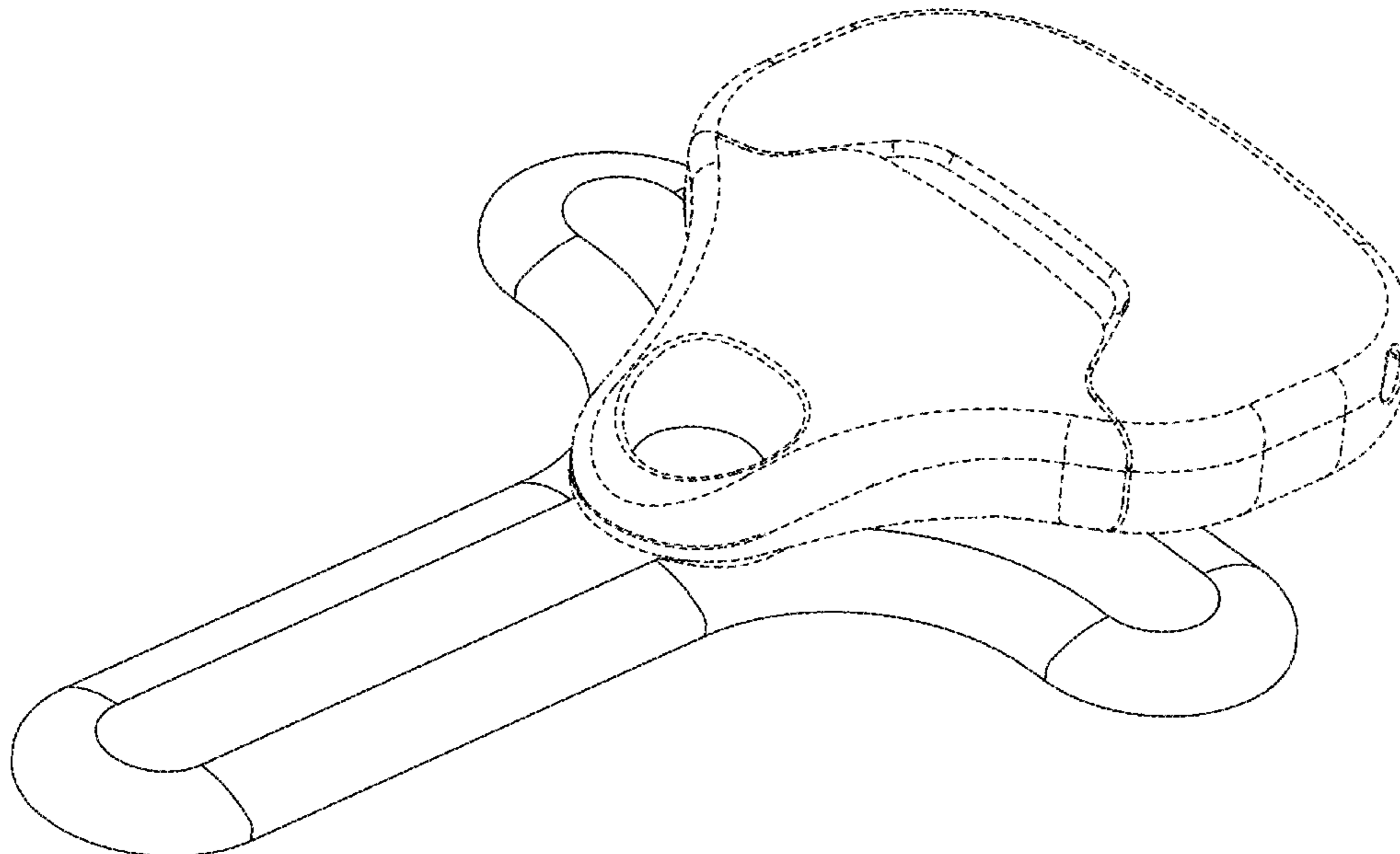
We claim the ornamental design for a wearable pregnancy monitoring apparatus, as shown and described.

DESCRIPTION

FIG. 1 is a top plan view of a wearable pregnancy monitoring apparatus;
 FIG. 2 is a bottom plan view thereof;
 FIG. 3 is a top perspective view thereof;
 FIG. 4 is a bottom perspective view thereof;
 FIG. 5 is a left side elevation view thereof; and,
 FIG. 6 is a front elevation view thereof.

The broken lines shown in the figures illustrate portions of the wearable pregnancy monitoring apparatus that form no part of the claimed design; the broken lines form no part of the claimed design.

1 Claim, 6 Drawing Sheets



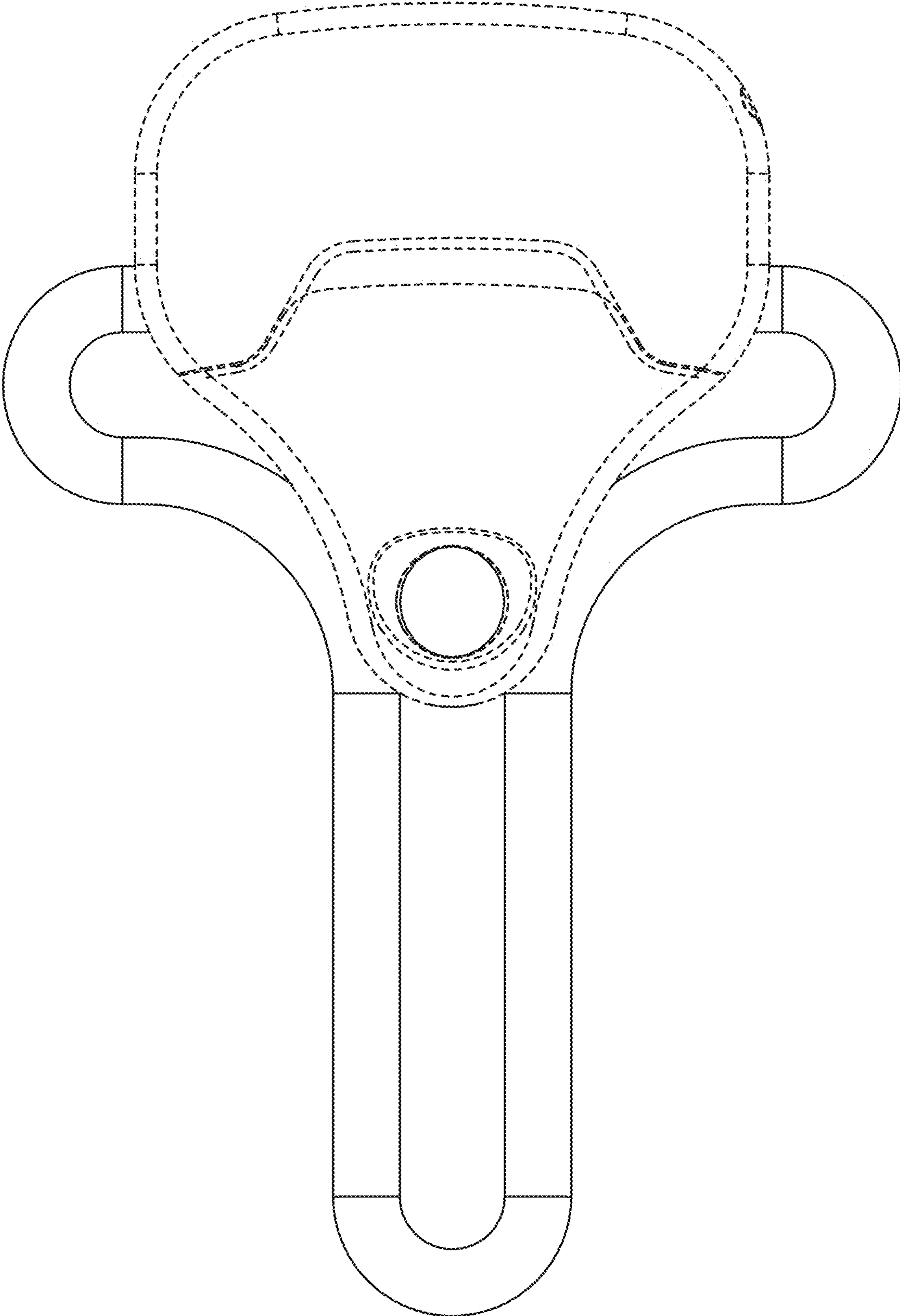


FIG. 1

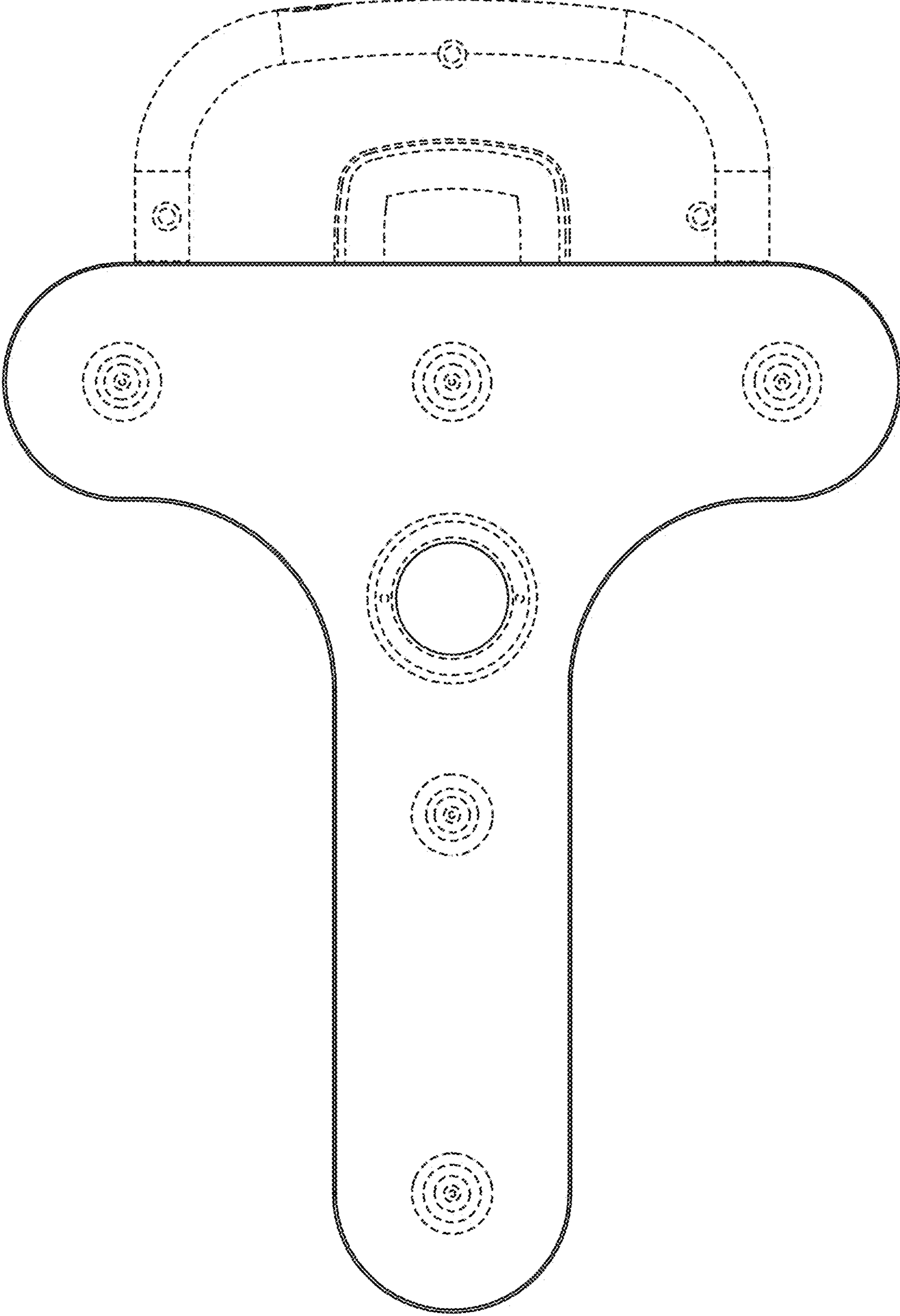


FIG. 2

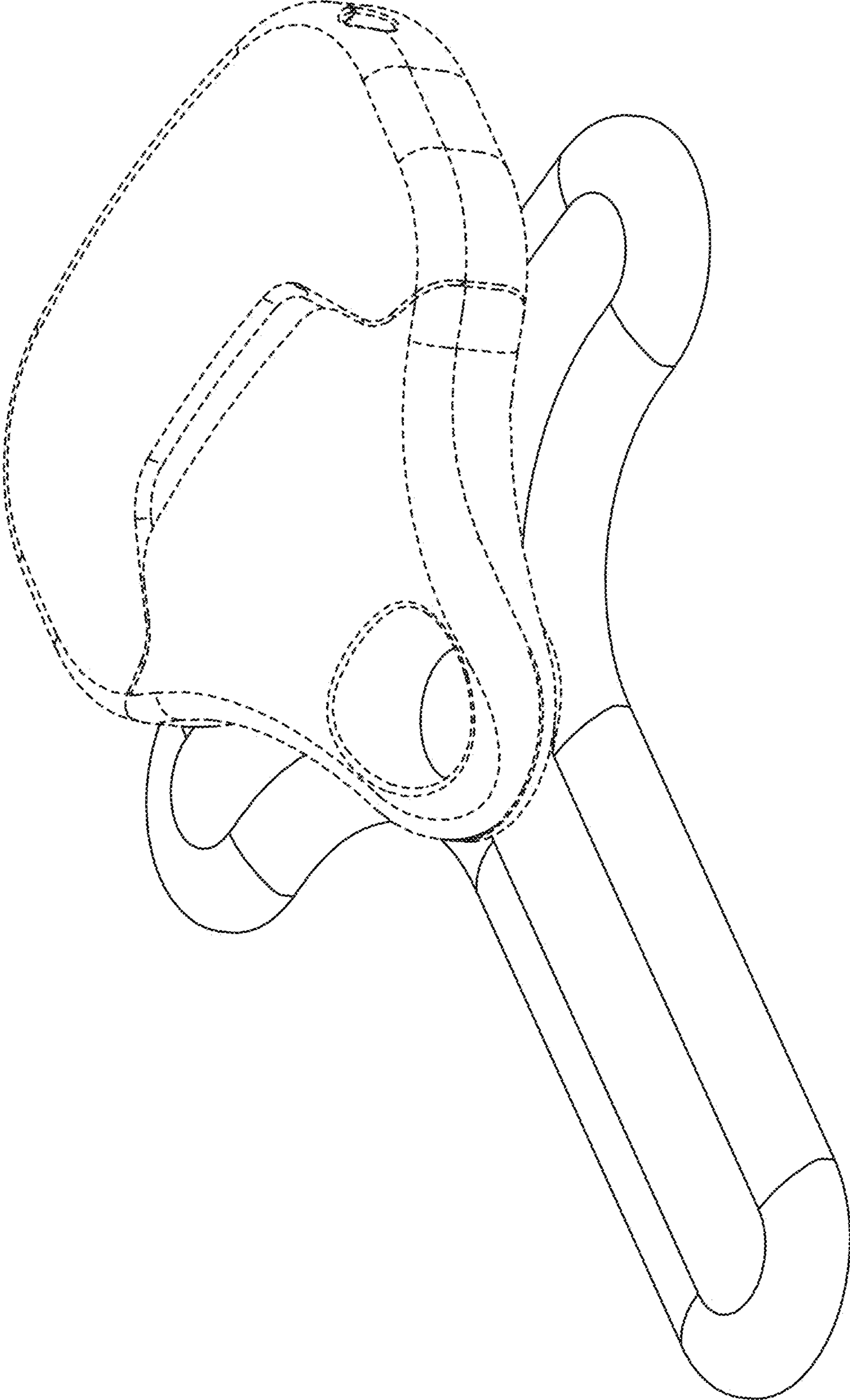


FIG. 3

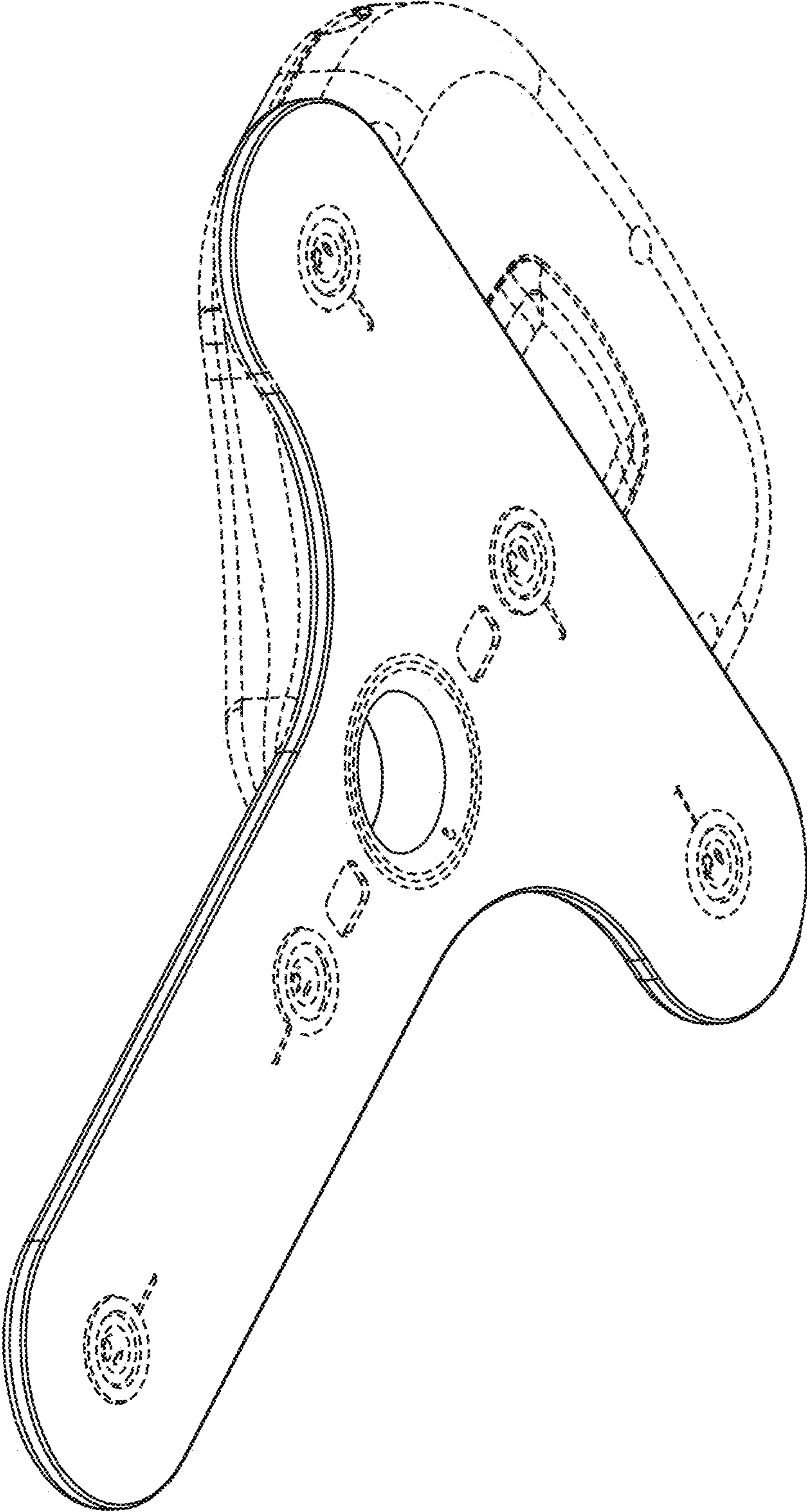


FIG. 4

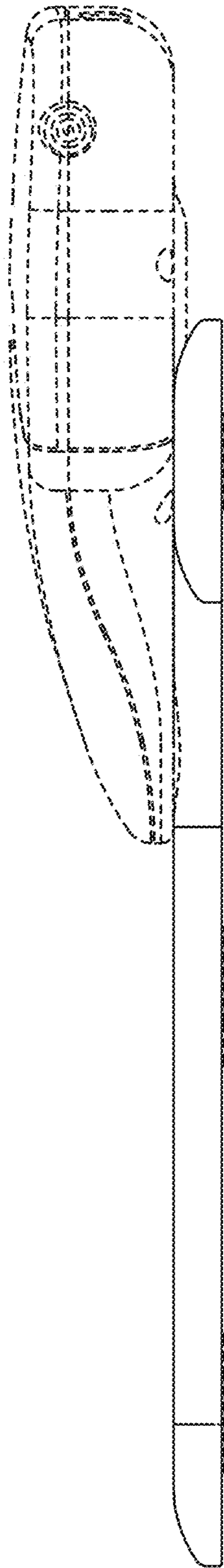


FIG. 5

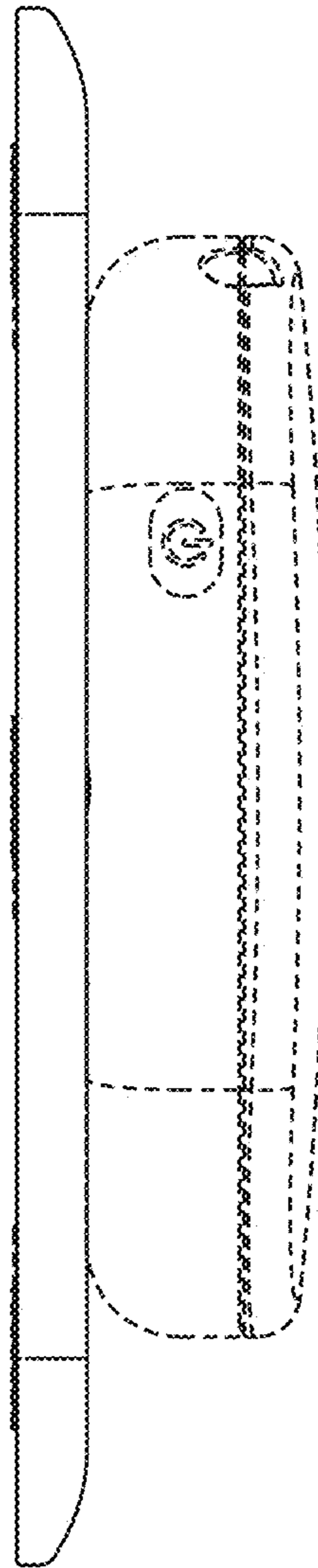


FIG. 6