



US00D919817S

(12) **United States Design Patent** (10) **Patent No.:** **US D919,817 S**
Webster et al. (45) **Date of Patent:** **** May 18, 2021**

(54) **KNOB OF A DENTAL MATRIX DEVICE**

OTHER PUBLICATIONS

(71) Applicant: **ULTRADENT PRODUCTS, INC.**,
South Jordan, UT (US)

20x Plastic Control Knob InsertType 12mmDx19mmH 6mm D
Shaft Grey A5. Retrieved on Jun. 29, 2020. Retrieved from the
Internet: https://www.ebay.com/itm/20x-Plastic-Control-Knob-Insert-Type-12mmDx19mmH-6mm-D-Shaft-Grey-A5-/153429979390.*

(72) Inventors: **Thomas John Webster**, Riverton, UT
(US); **Bruce S. McLean**, Sandy, UT
(US); **Wade Robert Michael Smith**,
Pleasant Grove, UT (US)

Primary Examiner — Wan Laymon

(74) *Attorney, Agent, or Firm* — Maschoff Brennan

(73) Assignee: **Ultradent Products, Inc.**, South
Jordan, UT (US)

(57) **CLAIM**

The ornamental design for a knob of a dental matrix device,
as shown and described.

(**) Term: **15 Years**

DESCRIPTION

(21) Appl. No.: **29/702,590**

The patent or application file contains at least one drawing
executed in color. Copies of this patent or patent application
with color drawings will be provided by the Office upon
request and payment of the necessary fee.

(22) Filed: **Aug. 20, 2019**

The drawings are lined for color, including FIGS. 1-7 lined
for the color orange, FIGS. 9-15 lined for the color green,
FIGS. 17-23 lined for the color purple, and FIGS. 25-31
lined for the color red.

Related U.S. Application Data

(63) Continuation-in-part of application No. 29/615,173,
filed on Aug. 25, 2017, now Pat. No. Des. 860,462.

FIG. 1 is an upper perspective view of a first embodiment of
a knob of a dental matrix device;

(51) **LOC (13) Cl.** **24-02**

(52) **U.S. Cl.**
USPC **D24/181**

FIG. 2 is another upper perspective view of the knob of FIG.
1;

(58) **Field of Classification Search**
USPC D24/180-182, 176-178, 127, 113-114,
D24/133; D9/439; D8/300, 307, 321;
D19/164-165, 194; 433/39, 139, 223
(Continued)

FIG. 3 is a rear view of the knob of FIG. 1;

FIG. 4 is a front view of the knob of FIG. 1;

FIG. 5 is a right side view of the knob of FIG. 1;

FIG. 6 is a left side view of the knob of FIG. 1;

FIG. 7 is a top view of the knob of FIG. 1, which is identical
to a bottom view of the knob of FIG. 1;

FIG. 8 is another perspective view of the knob of FIG. 1 with
a color shown in place of the surface shading;

FIG. 9 is an upper perspective view of a second embodiment
of a knob of a dental matrix device;

FIG. 10 is another upper perspective view of the knob of
FIG. 9;

FIG. 11 is a rear view of the knob of FIG. 9;

FIG. 12 is a front view of the knob of FIG. 9;

FIG. 13 is a right side view of the knob of FIG. 9;

(Continued)

(56) **References Cited**

U.S. PATENT DOCUMENTS

348,628 A 9/1886 Hewett
2,286,021 A 6/1942 Stanford
(Continued)

FOREIGN PATENT DOCUMENTS

WO 2010061161 6/2010

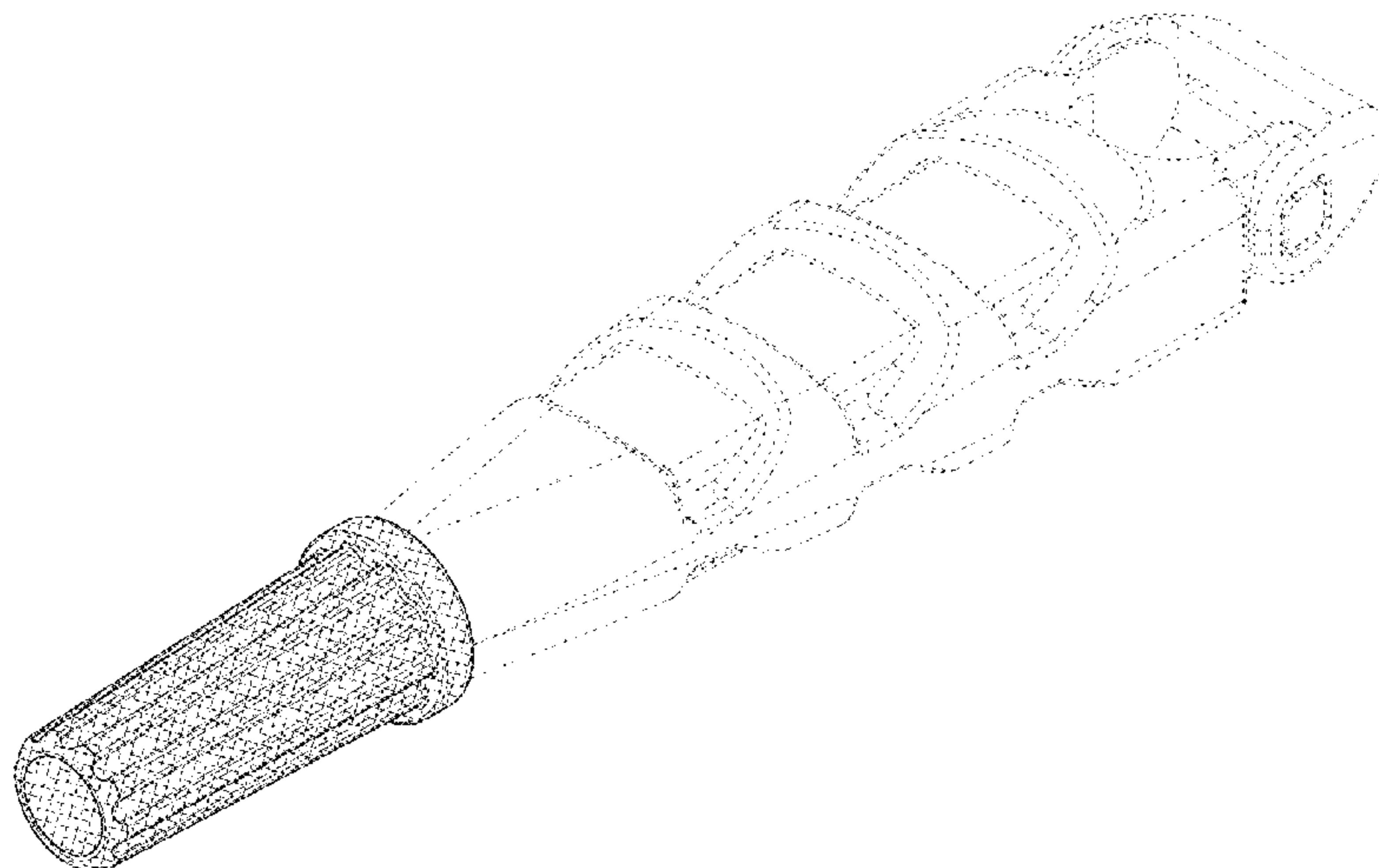


FIG. 14 is a left side view of the knob of FIG. 9;
 FIG. 15 is a top view of the knob of FIG. 9, which is identical to a bottom view of the knob of FIG. 9;
 FIG. 16 is another perspective view of the knob of FIG. 9 with a color shown in place of the surface shading;
 FIG. 17 is an upper perspective view of a third embodiment of a knob of a dental matrix device;
 FIG. 18 is another upper perspective view of the knob of FIG. 17;
 FIG. 19 is a rear view of the knob of FIG. 17;
 FIG. 20 is a front view of the knob of FIG. 17;
 FIG. 21 is a right side view of the knob of FIG. 17;
 FIG. 22 is a left side view of the knob of FIG. 17;
 FIG. 23 is a top view of the knob of FIG. 17, which is identical to a bottom view of the knob of FIG. 17;
 FIG. 24 is another perspective view of the knob of FIG. 17 with a color shown in place of the surface shading;
 FIG. 25 is an upper perspective view of a fourth embodiment of a knob of a dental matrix device;
 FIG. 26 is another upper perspective view of the knob of FIG. 25;
 FIG. 27 is a rear view of the knob of FIG. 25;
 FIG. 28 is a front view of the knob of FIG. 25;
 FIG. 29 is a right side view of the knob of FIG. 25;
 FIG. 30 is a left side view of the knob of FIG. 25;
 FIG. 31 is a top view of the knob of FIG. 25, which is identical to a bottom view of the knob of FIG. 25; and,
 FIG. 32 is another perspective view of the knob of FIG. 25 with a color shown in place of the surface shading.

In the drawings, the broken lines depict environmental subject matter only and form no part of the claimed design.

**1 Claim, 28 Drawing Sheets
 (4 of 28 Drawing Sheet(s) Filed in Color)**

(58) **Field of Classification Search**
 CPC A61C 5/85; A61C 5/88
 See application file for complete search history.

(56) **References Cited**

U.S. PATENT DOCUMENTS

2,439,703	A	6/1946	Tofflemire	
2,591,745	A *	4/1952	Tofflemire A61C 5/85 433/155
2,794,254	A *	6/1957	Reiter A61C 5/85 433/155
3,020,638	A *	2/1962	Tofflemire A61C 5/85 433/155
3,462,841	A	8/1969	Ainsworth	
D316,899	S *	5/1991	Andersson D24/113
5,055,045	A	10/1991	Dickie	
5,234,793	A	8/1993	Sebald	
5,342,197	A	8/1994	Stein	
5,460,525	A	10/1995	Rashid	
5,722,831	A *	3/1998	Lin A61C 5/85 433/155
6,074,210	A	6/2000	Garrison	
6,234,793	B1	5/2001	Brattesani	
6,589,053	B2	6/2003	Bills	
8,517,732	B2	8/2013	Segal	
9,517,110	B2	12/2016	McDonald	
9,687,970	B2	6/2017	Chen	
D792,594	S	7/2017	Nicholson	
D860,462	S	9/2019	Webster	
D861,173	S	9/2019	Webster	
D861,174	S	9/2019	Webster	
2009/0081606	A1 *	3/2009	Scarazzo A61C 5/85 433/39
2011/0244421	A1	10/2011	Segal et al.	
2018/0008375	A1	1/2018	Nicholson	
2019/0060032	A1	2/2019	Webster	

* cited by examiner

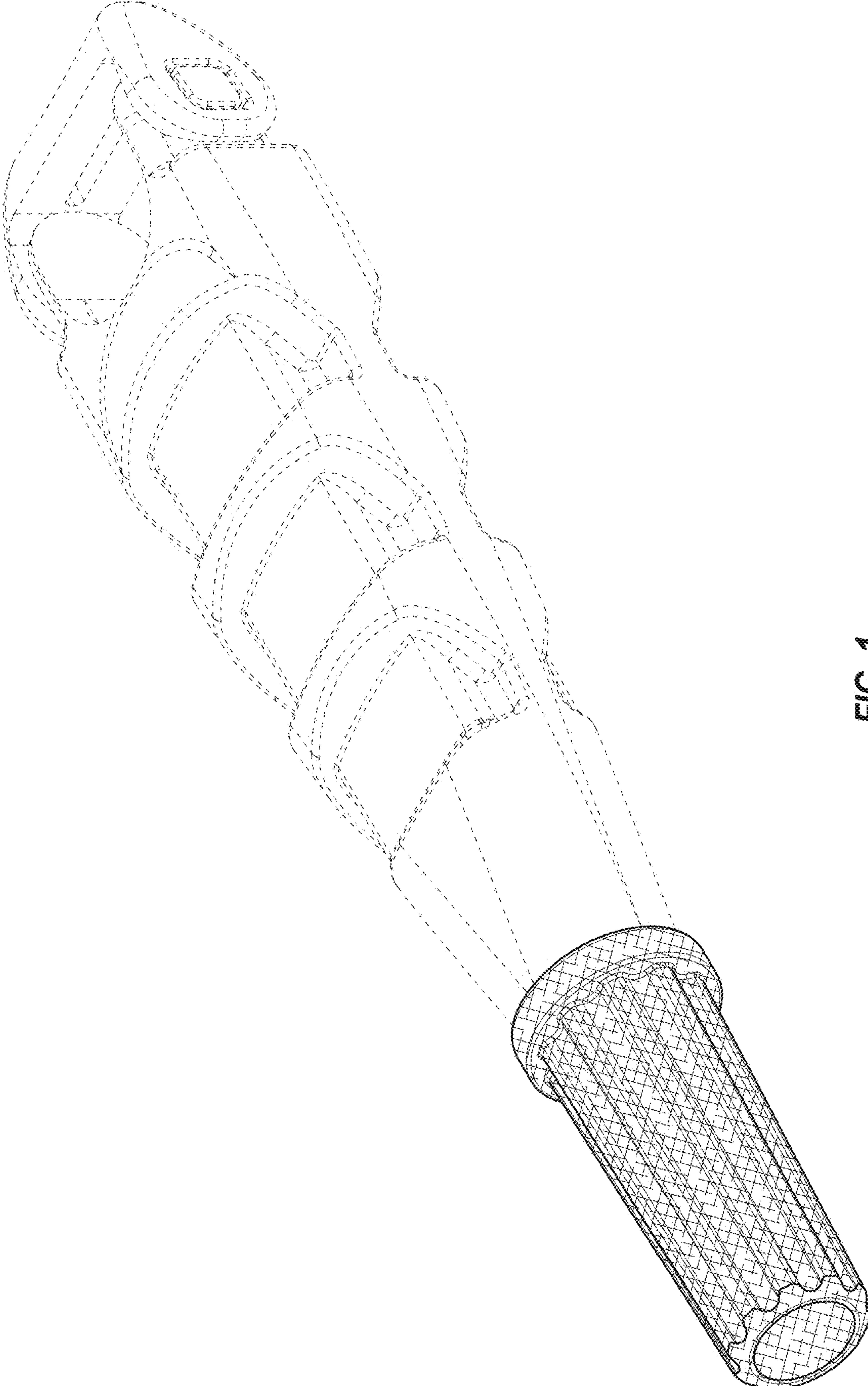


FIG. 1

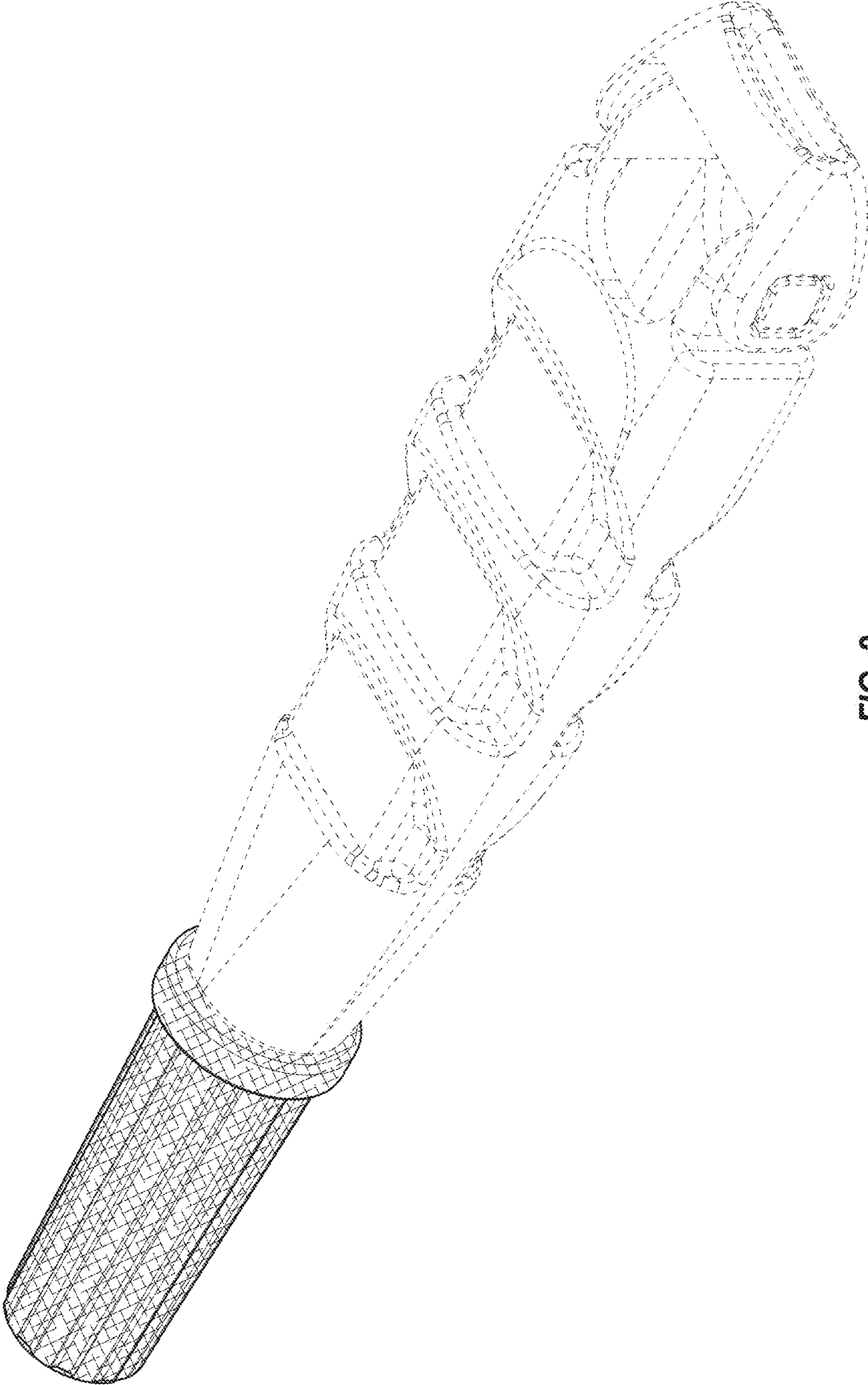


FIG. 2

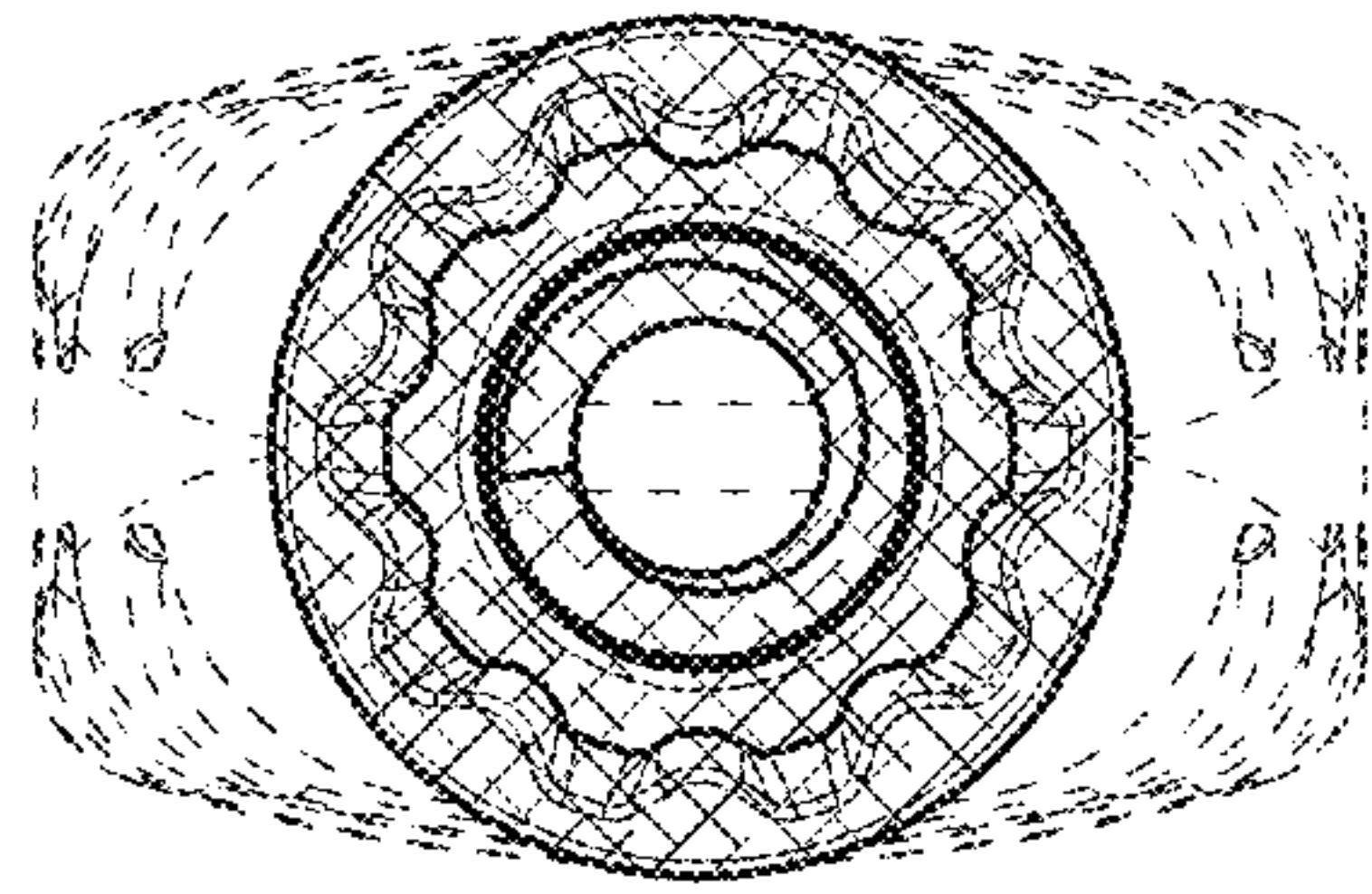


FIG. 3

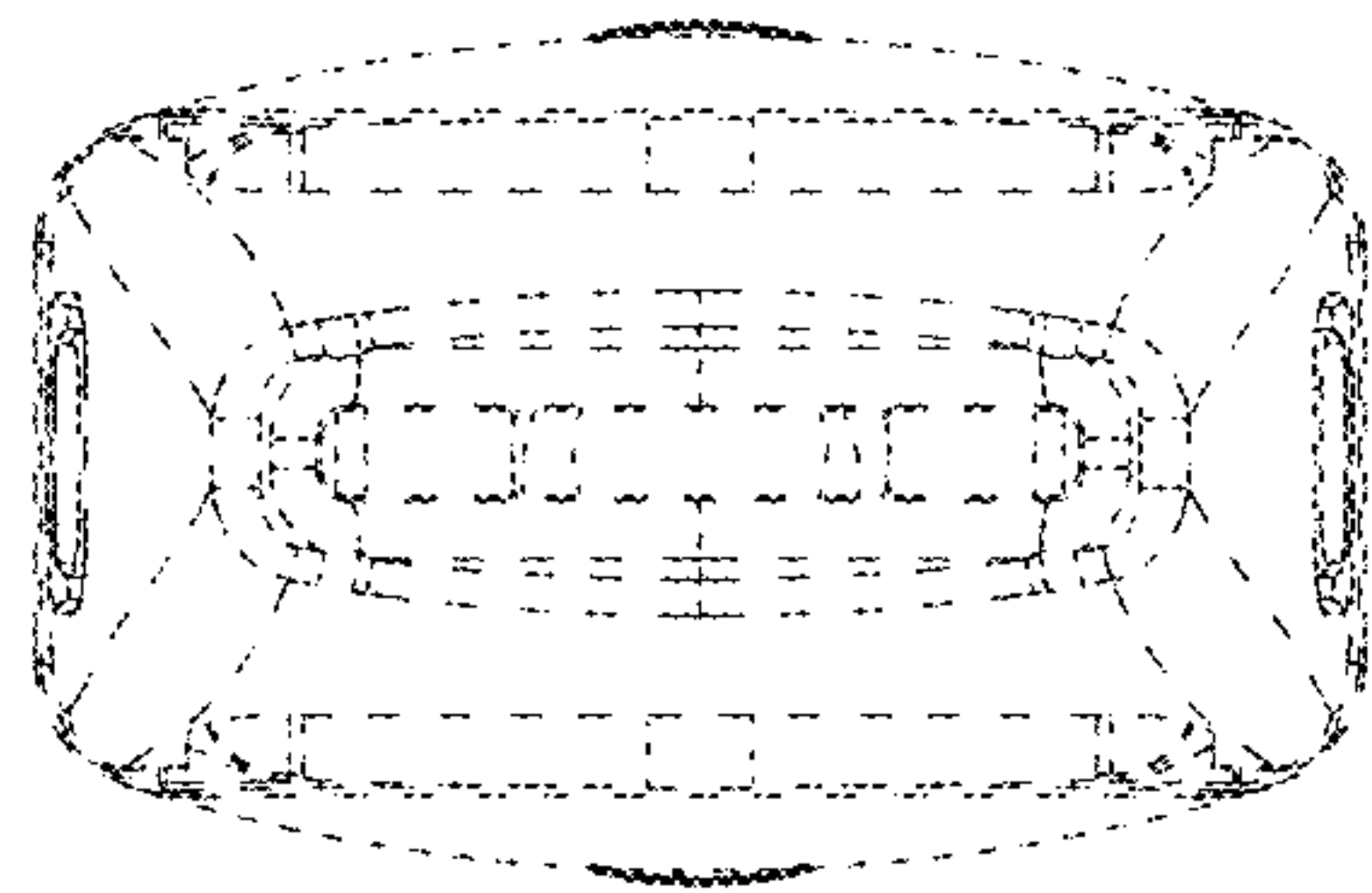


FIG. 4

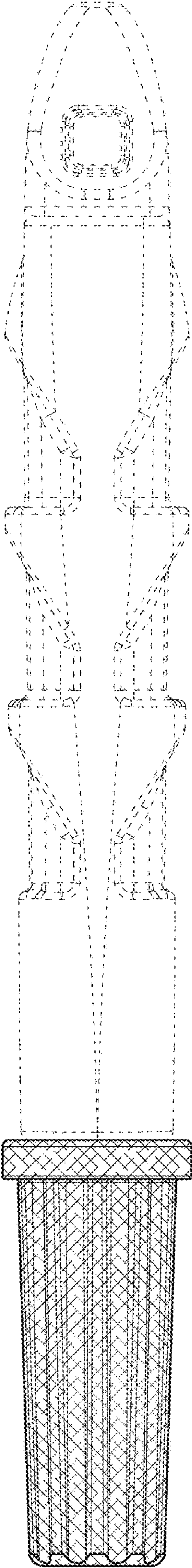


FIG. 5

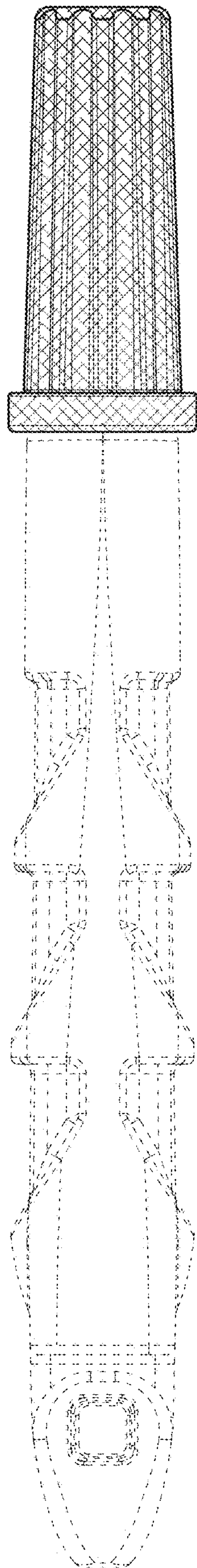


FIG. 6

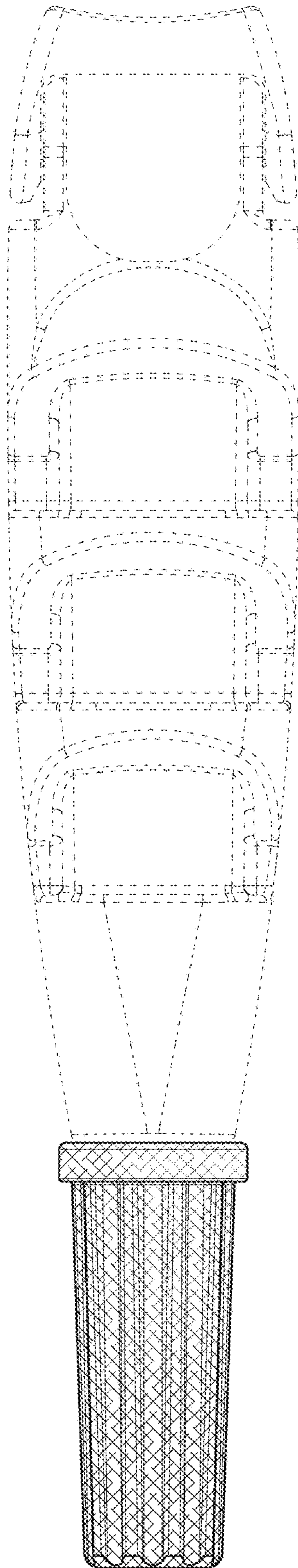


FIG. 7

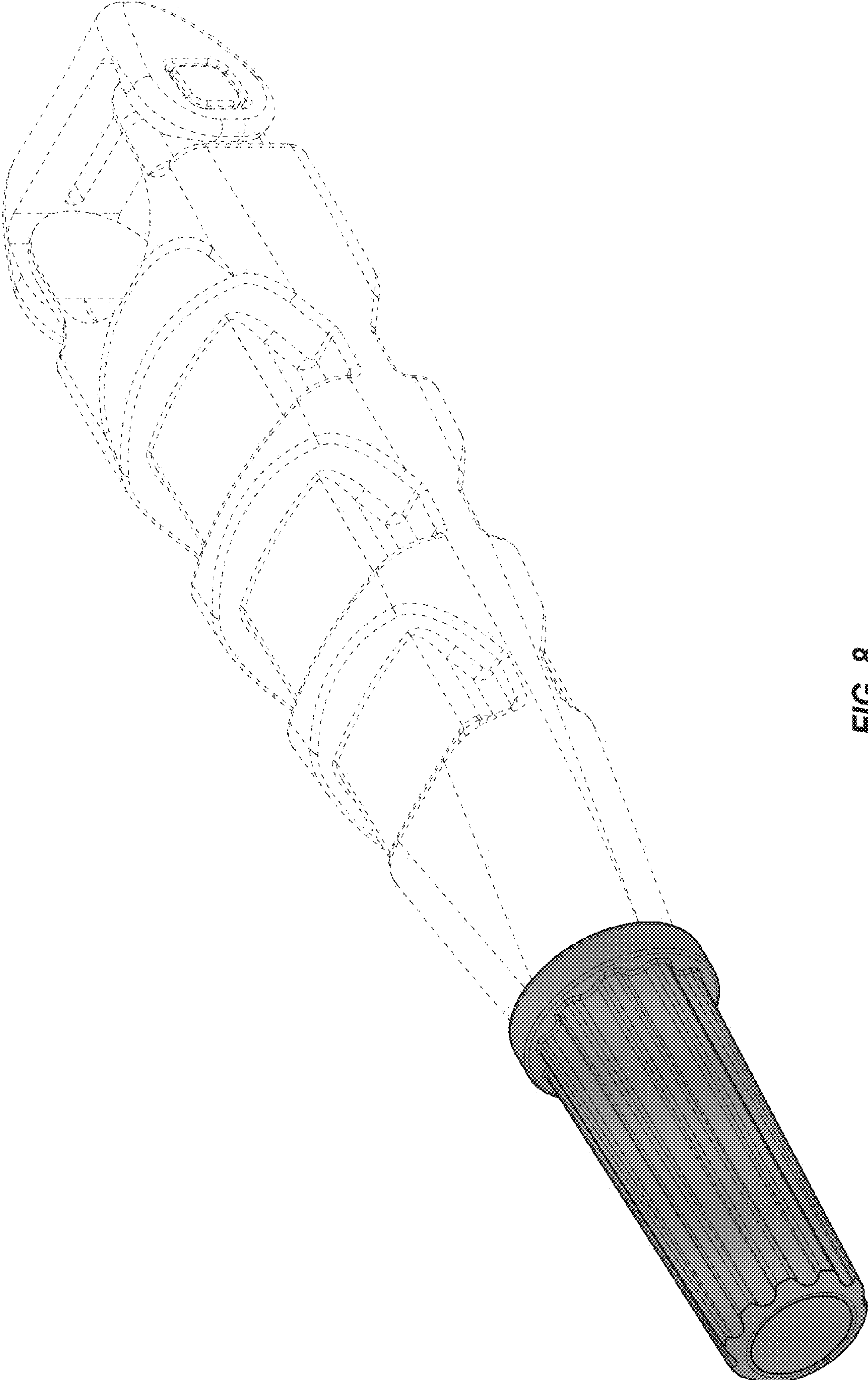


FIG. 8

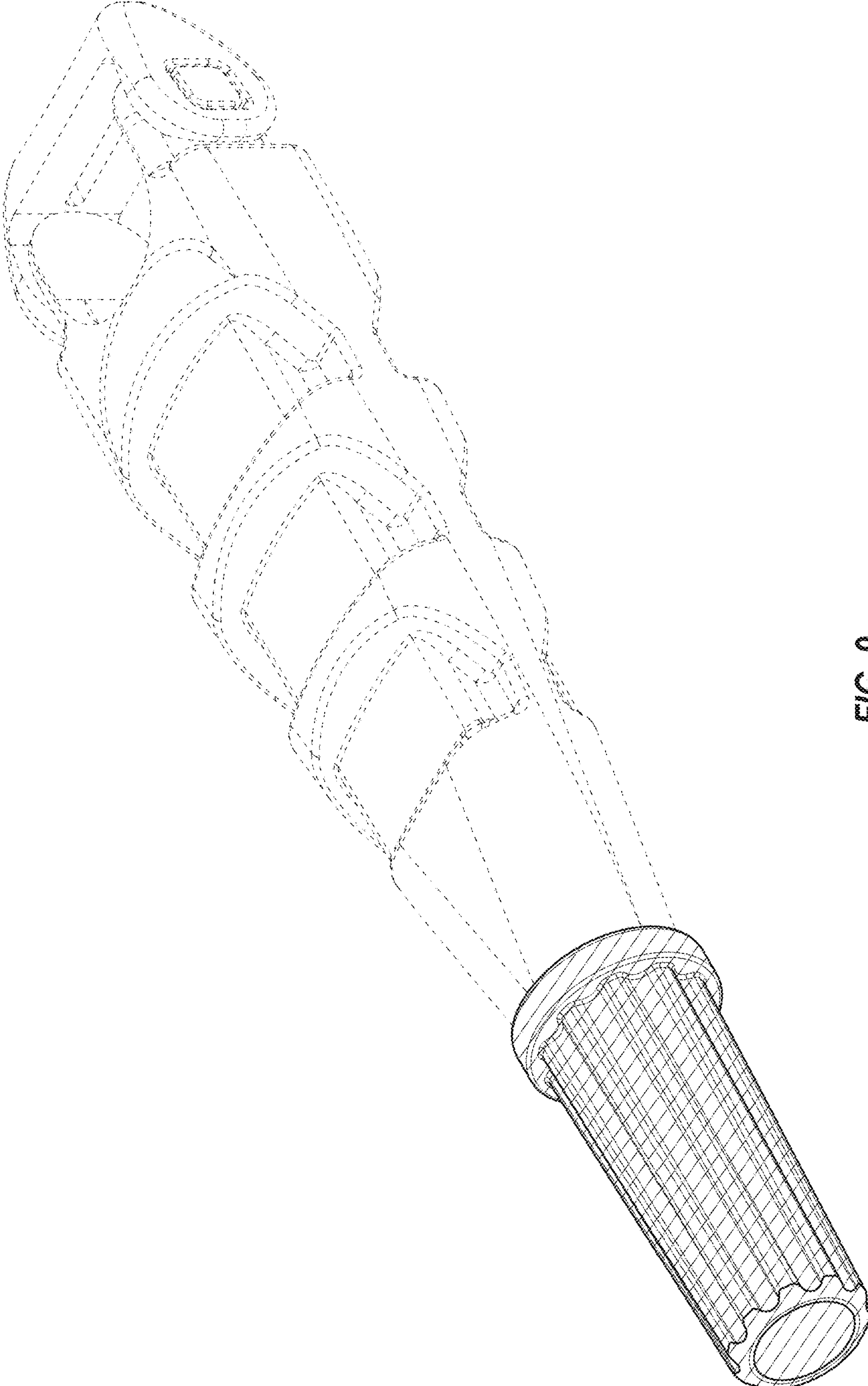


FIG. 9

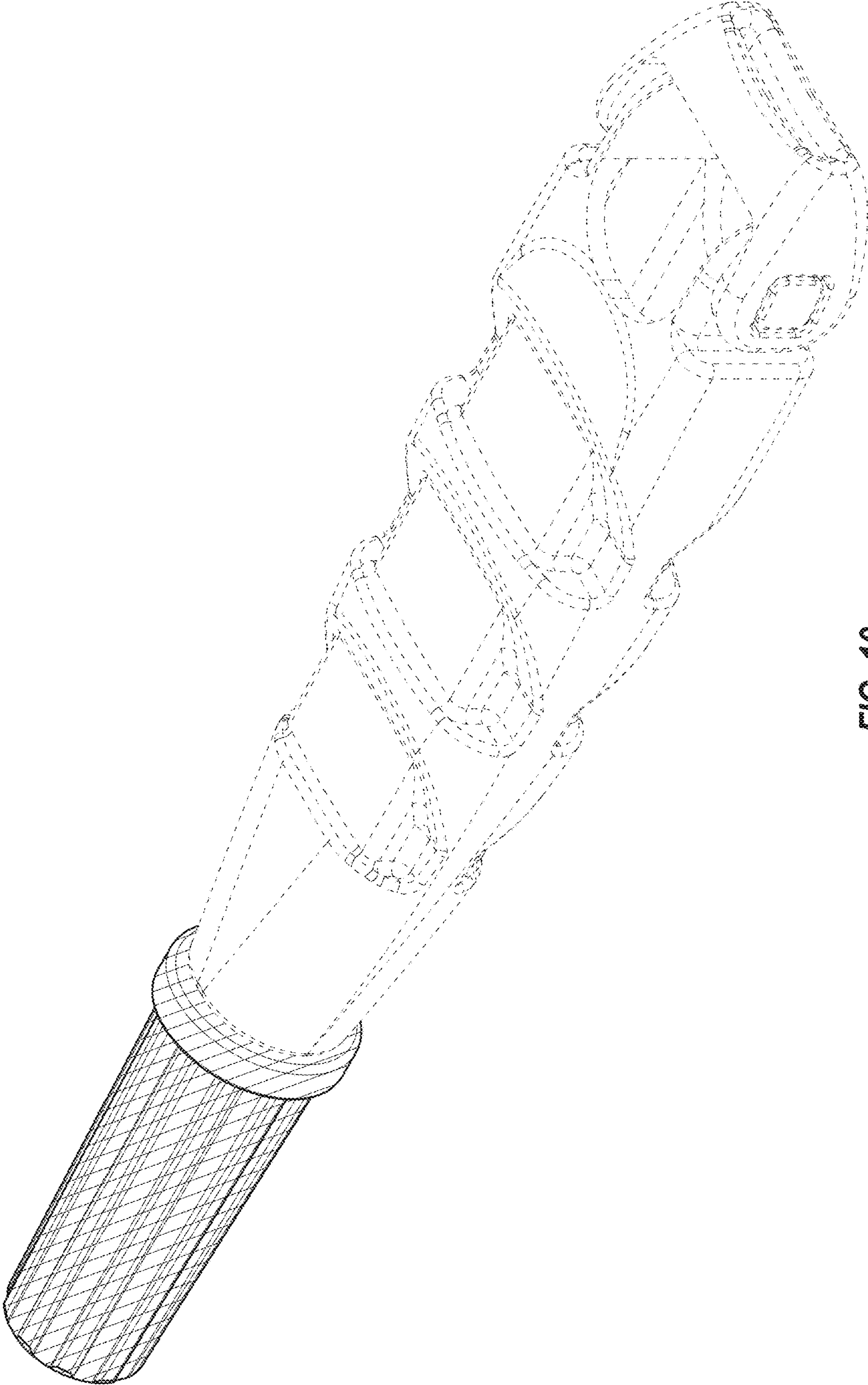


FIG. 10

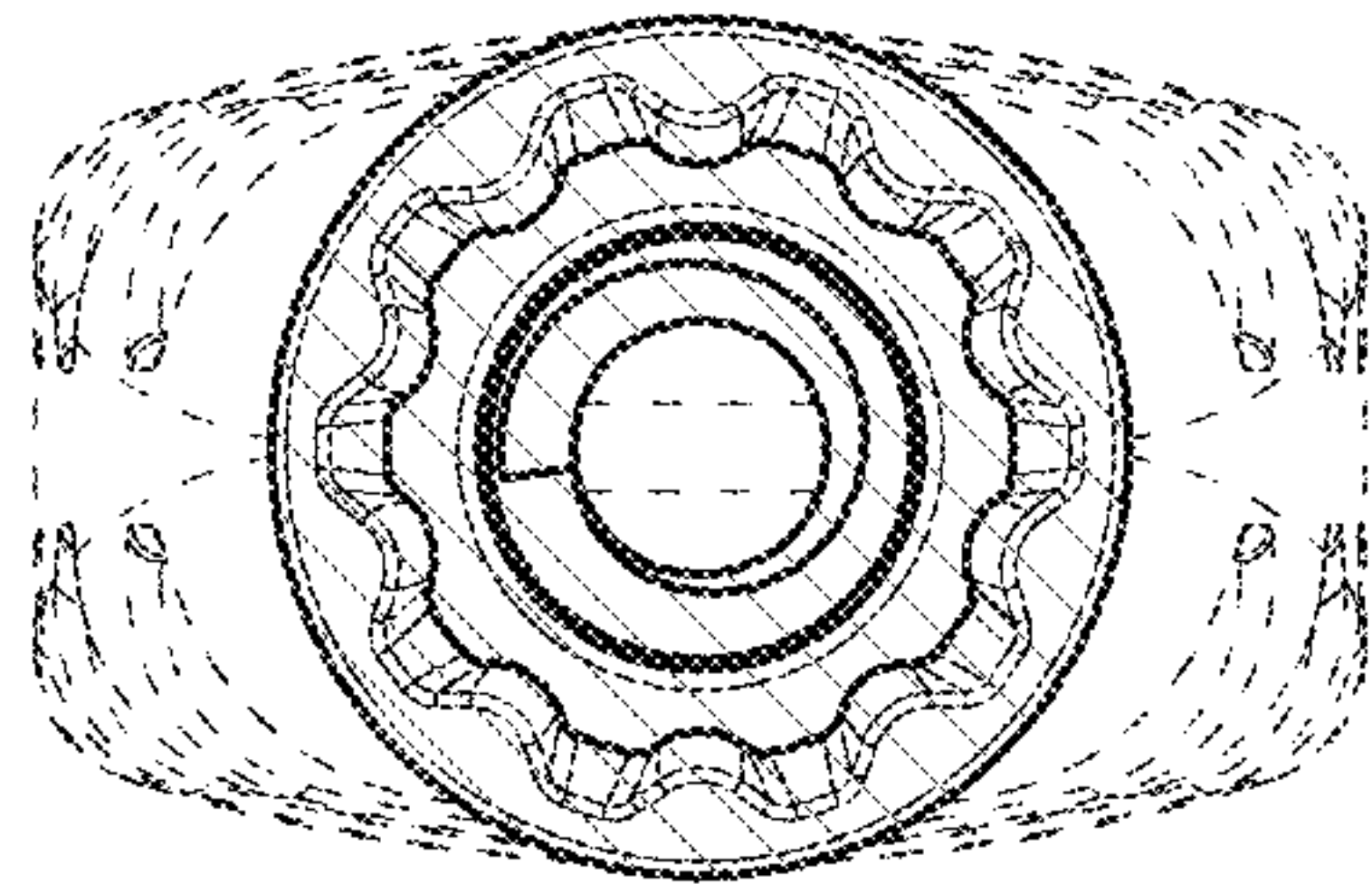


FIG. 11

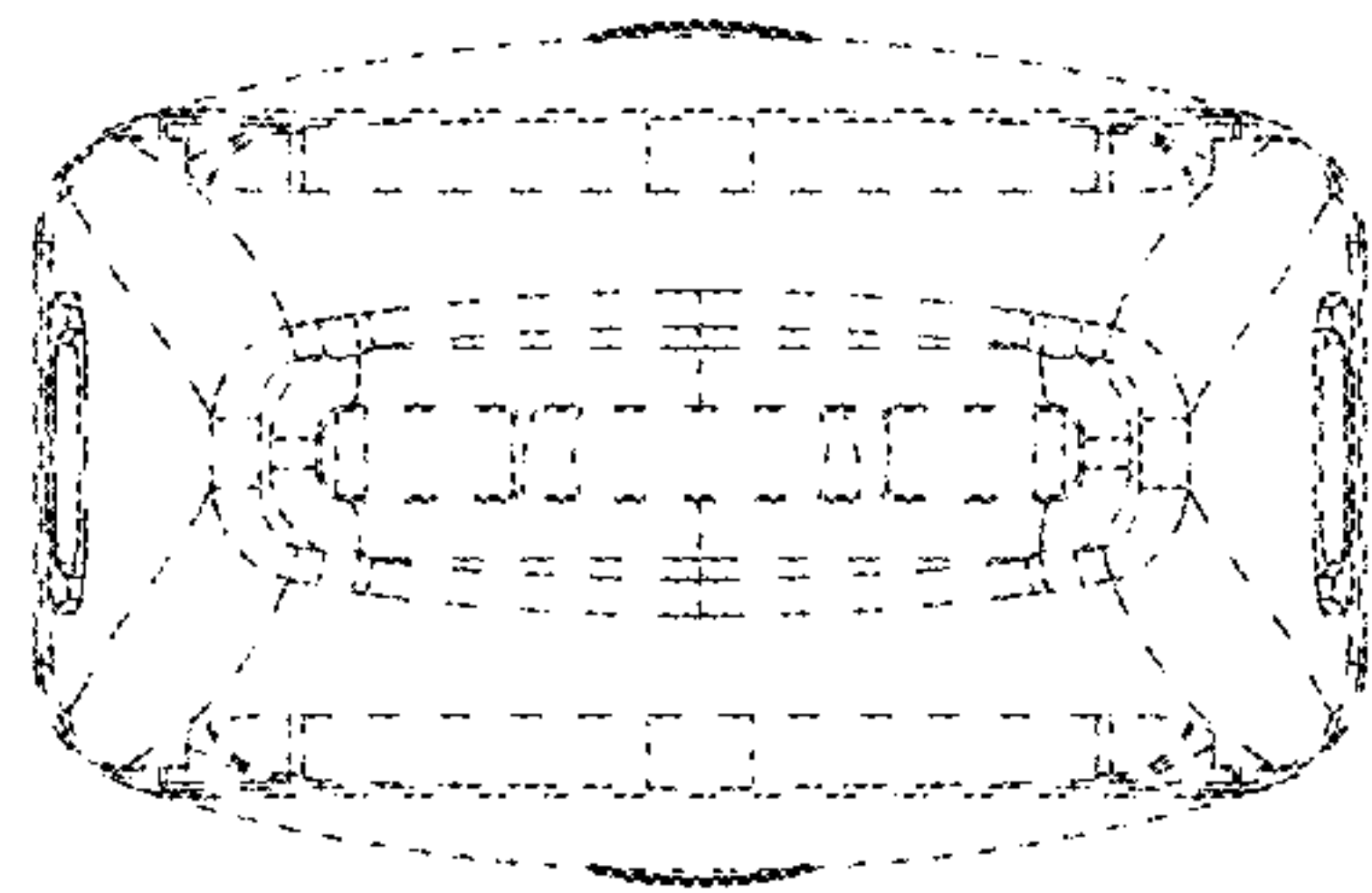


FIG. 12

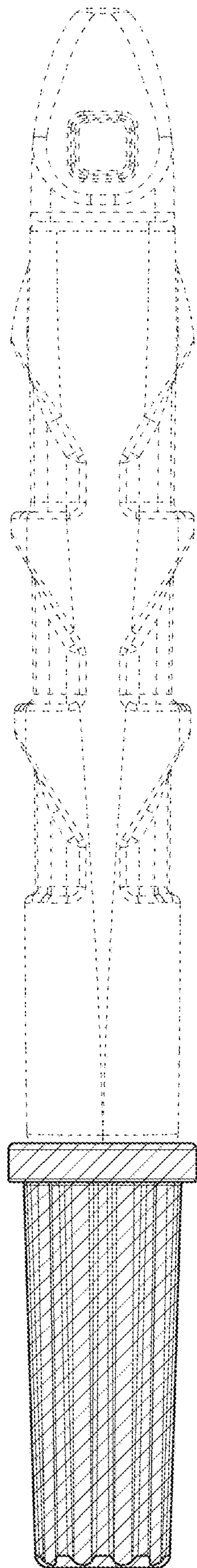


FIG. 13

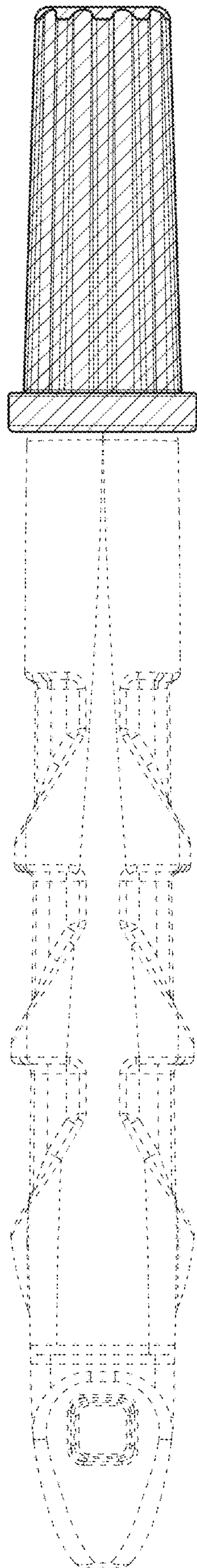


FIG. 14

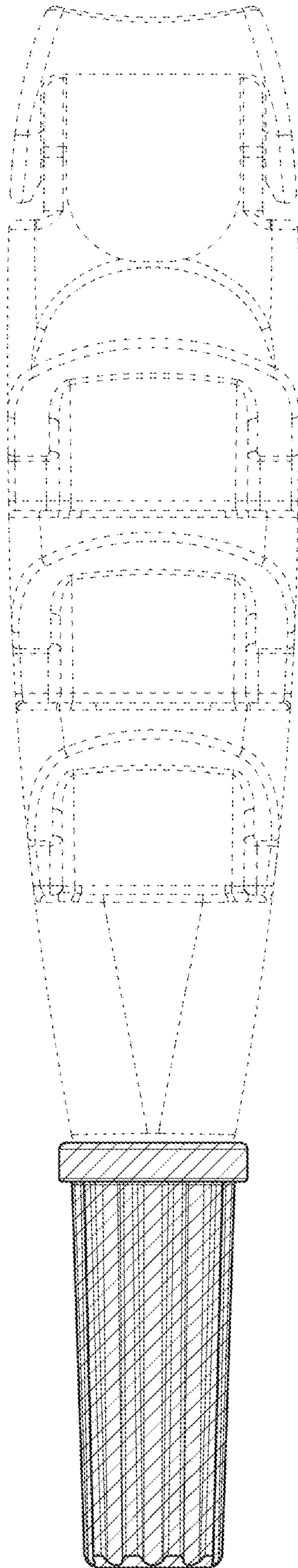


FIG. 15

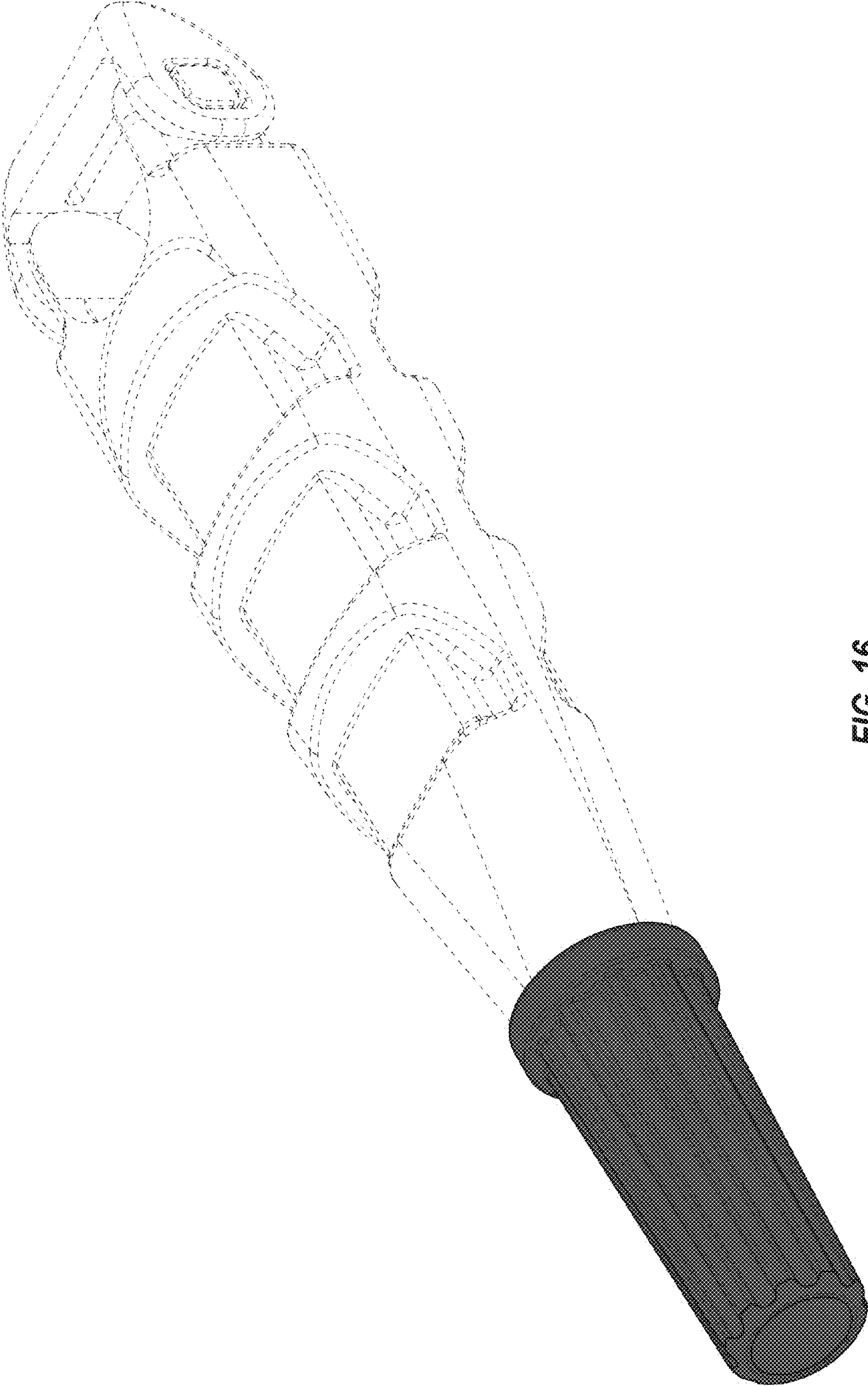


FIG. 16

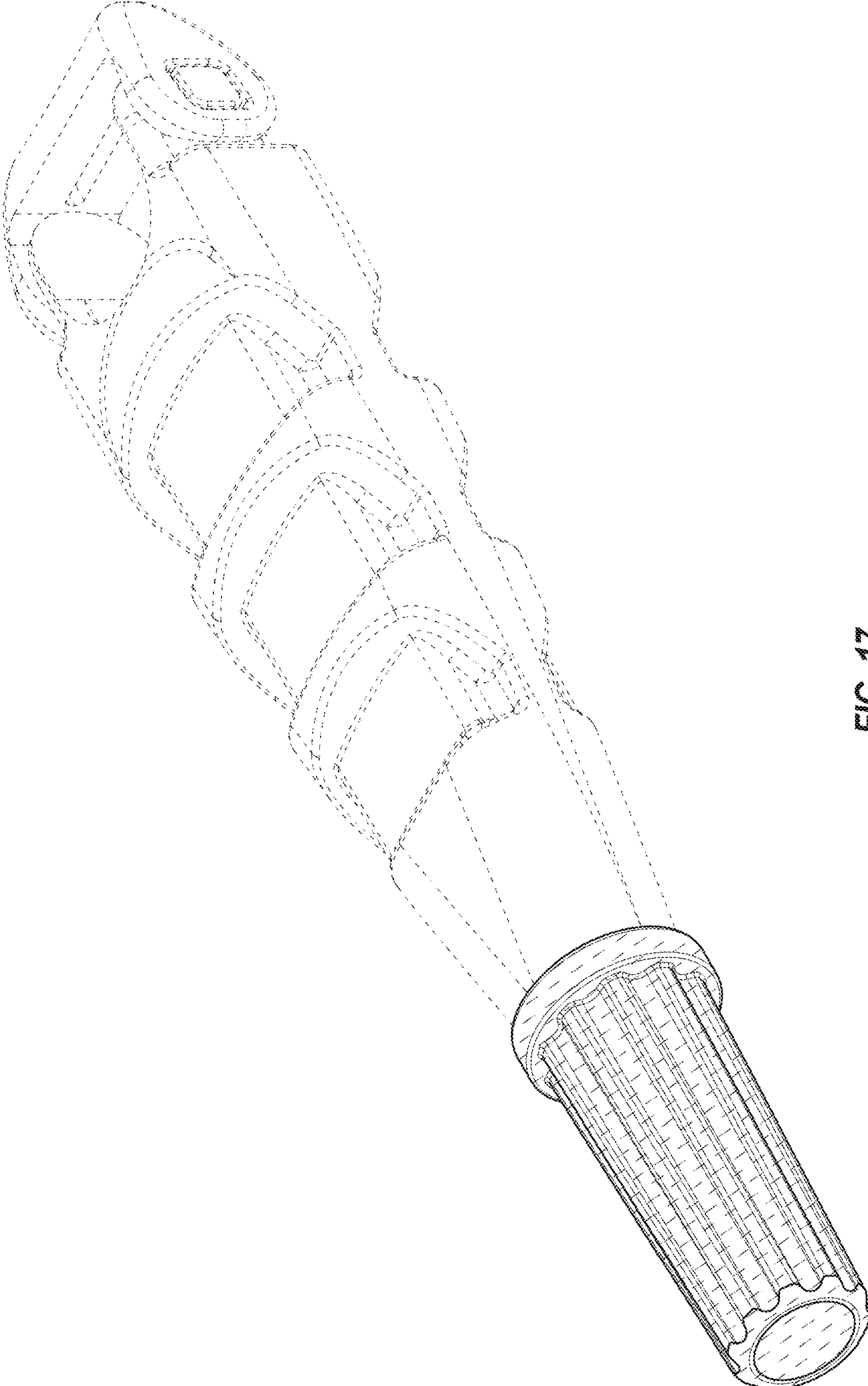


FIG. 17

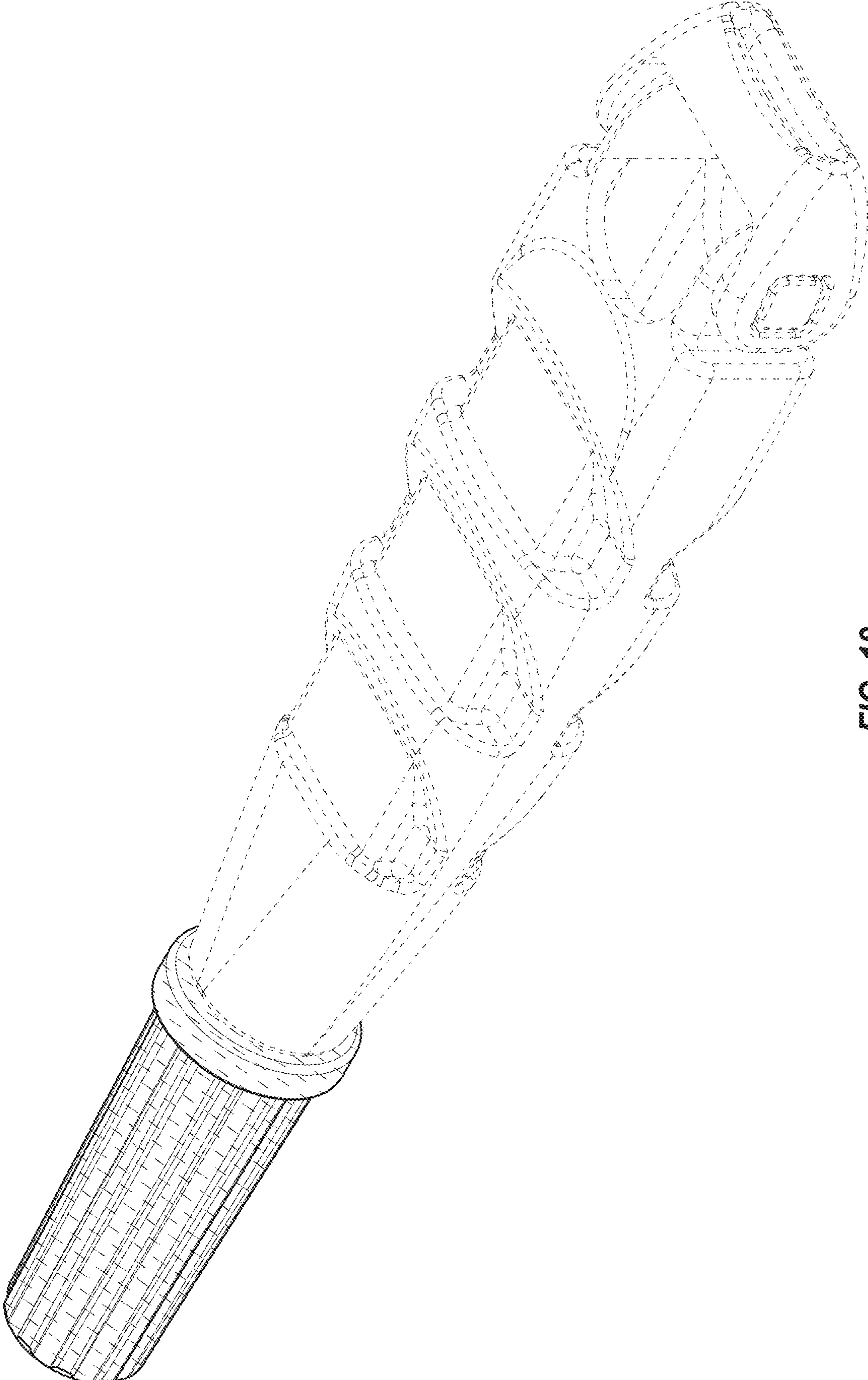


FIG. 18

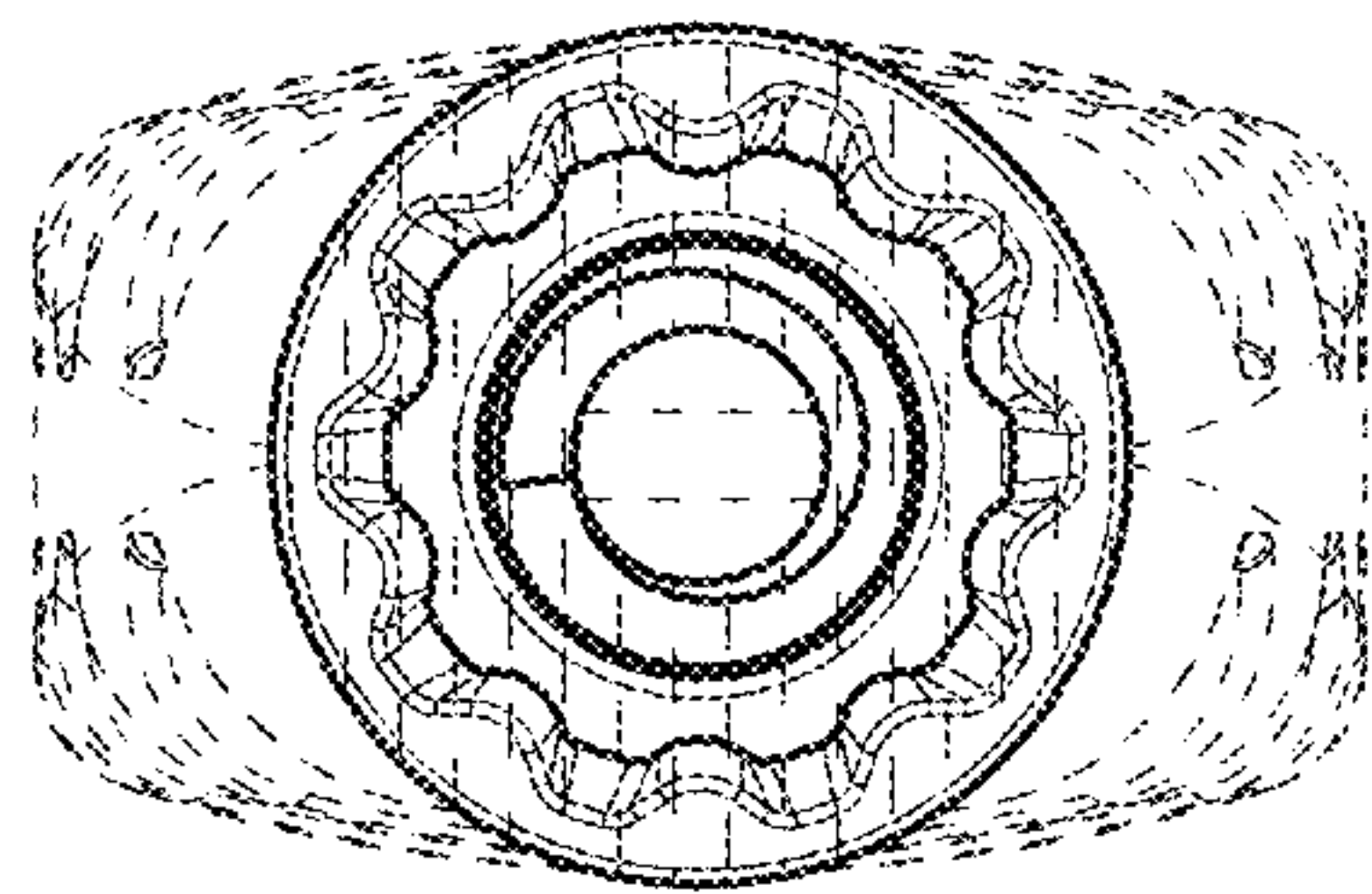


FIG. 19

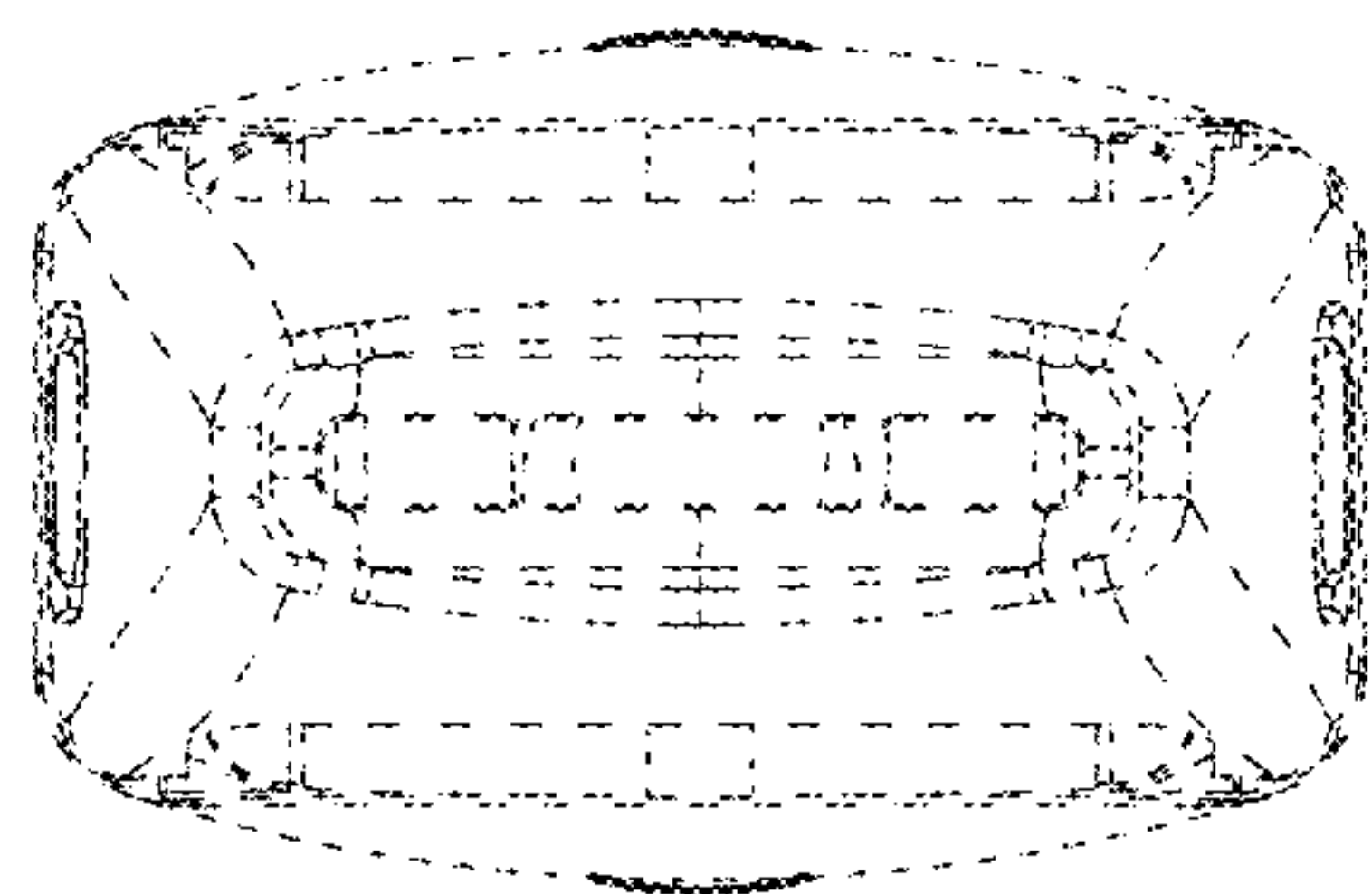


FIG. 20

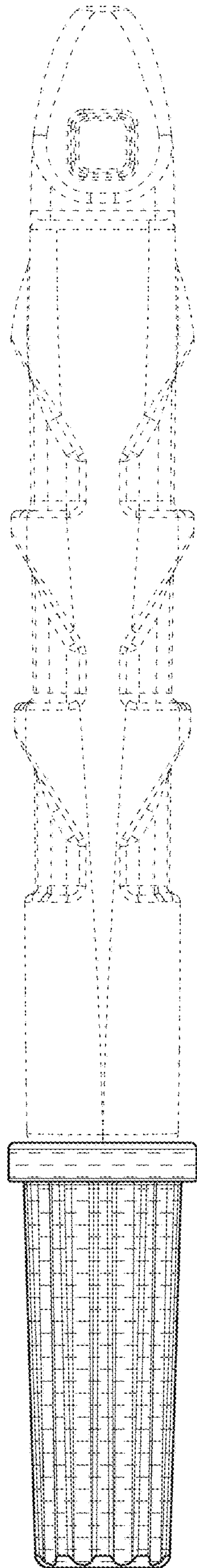


FIG. 21

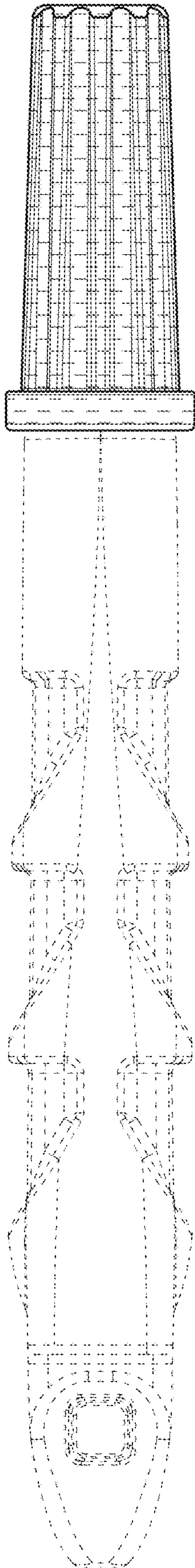


FIG. 22

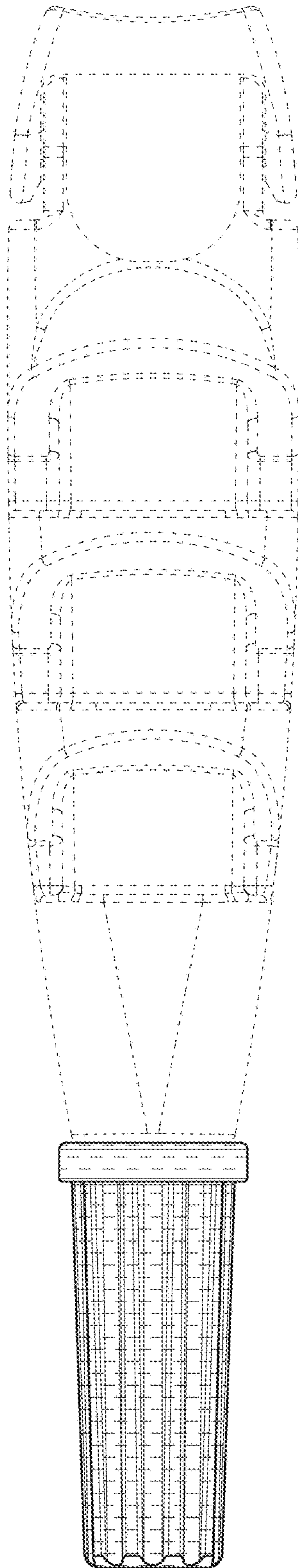


FIG. 23

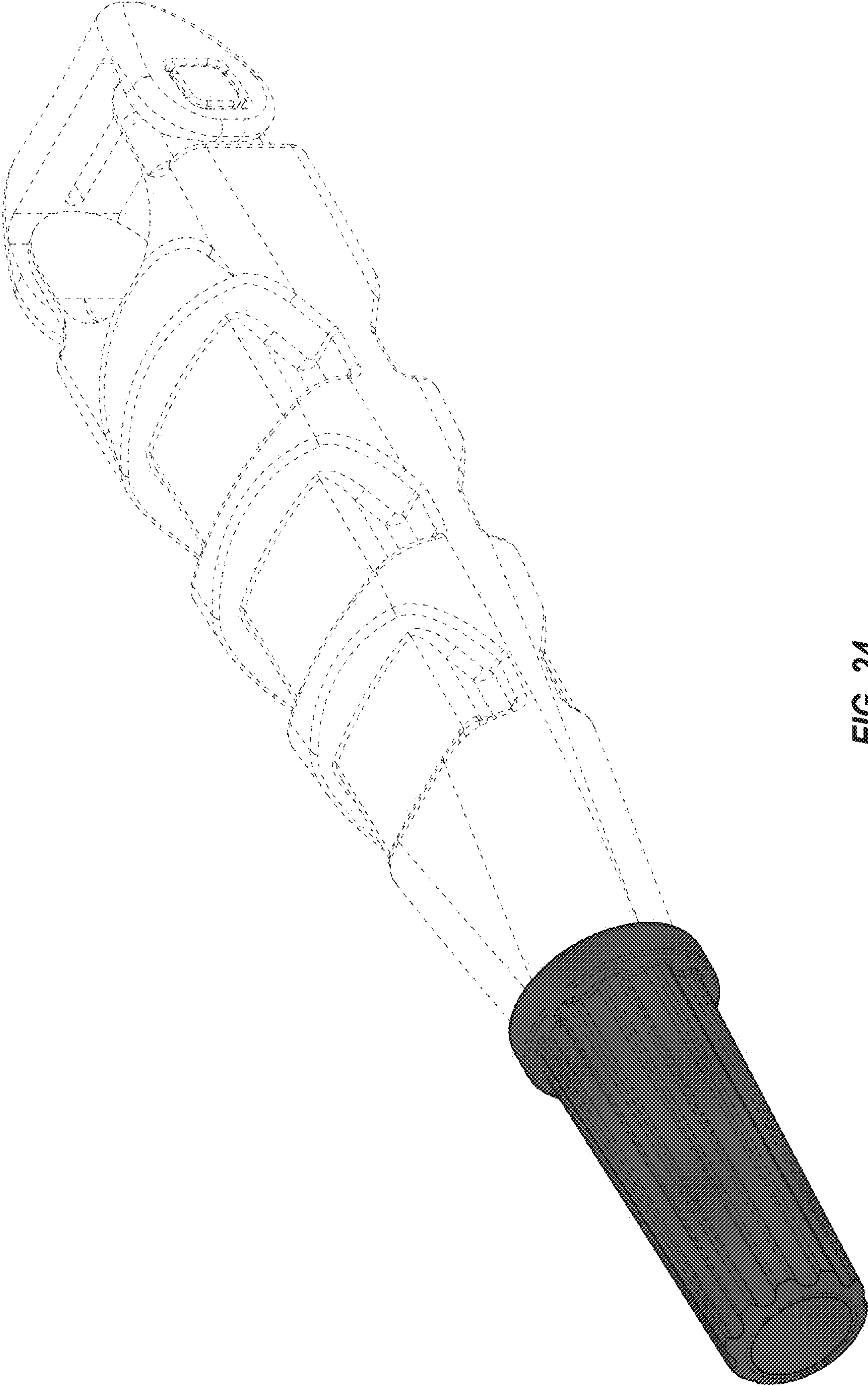


FIG. 24

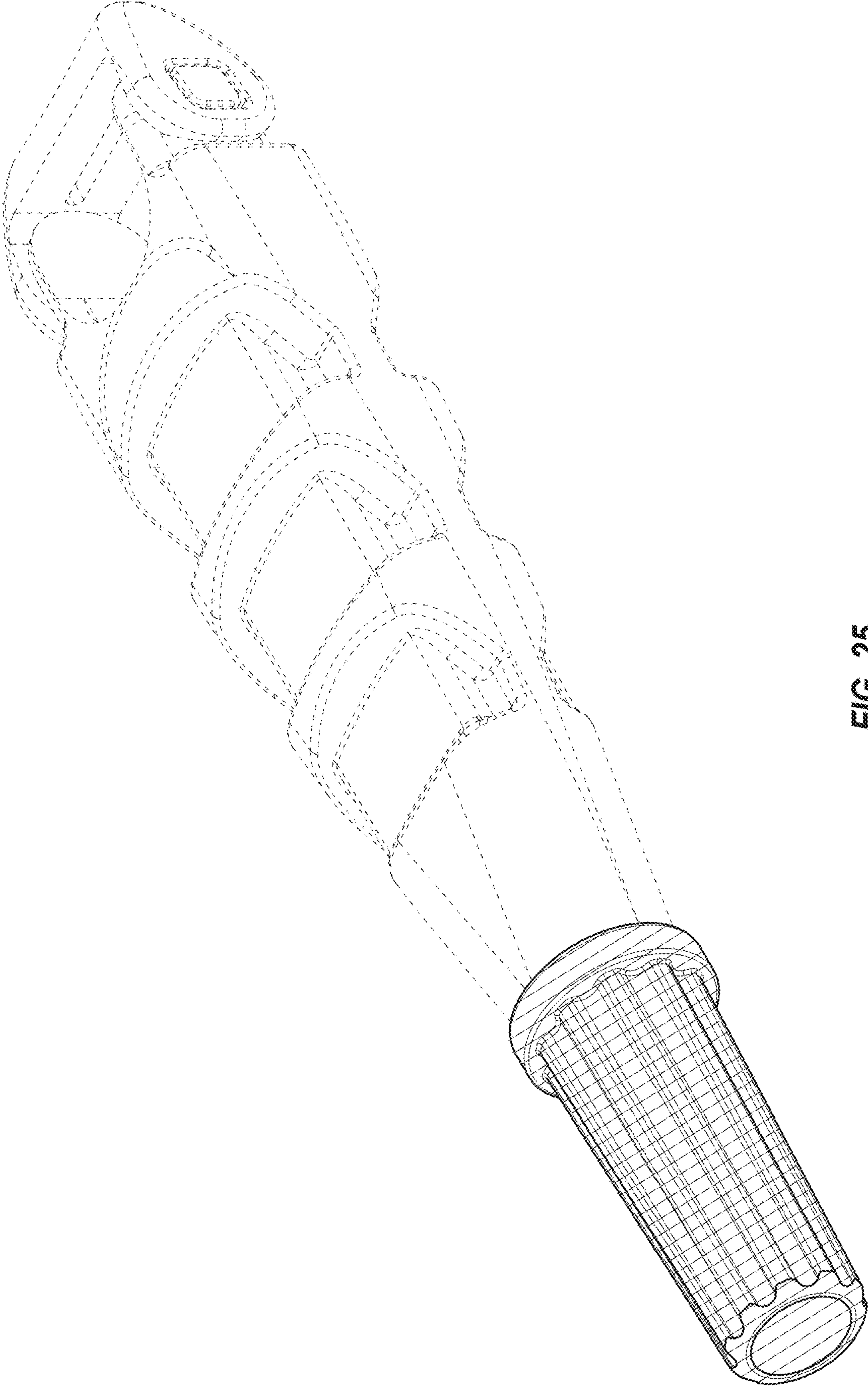


FIG. 25

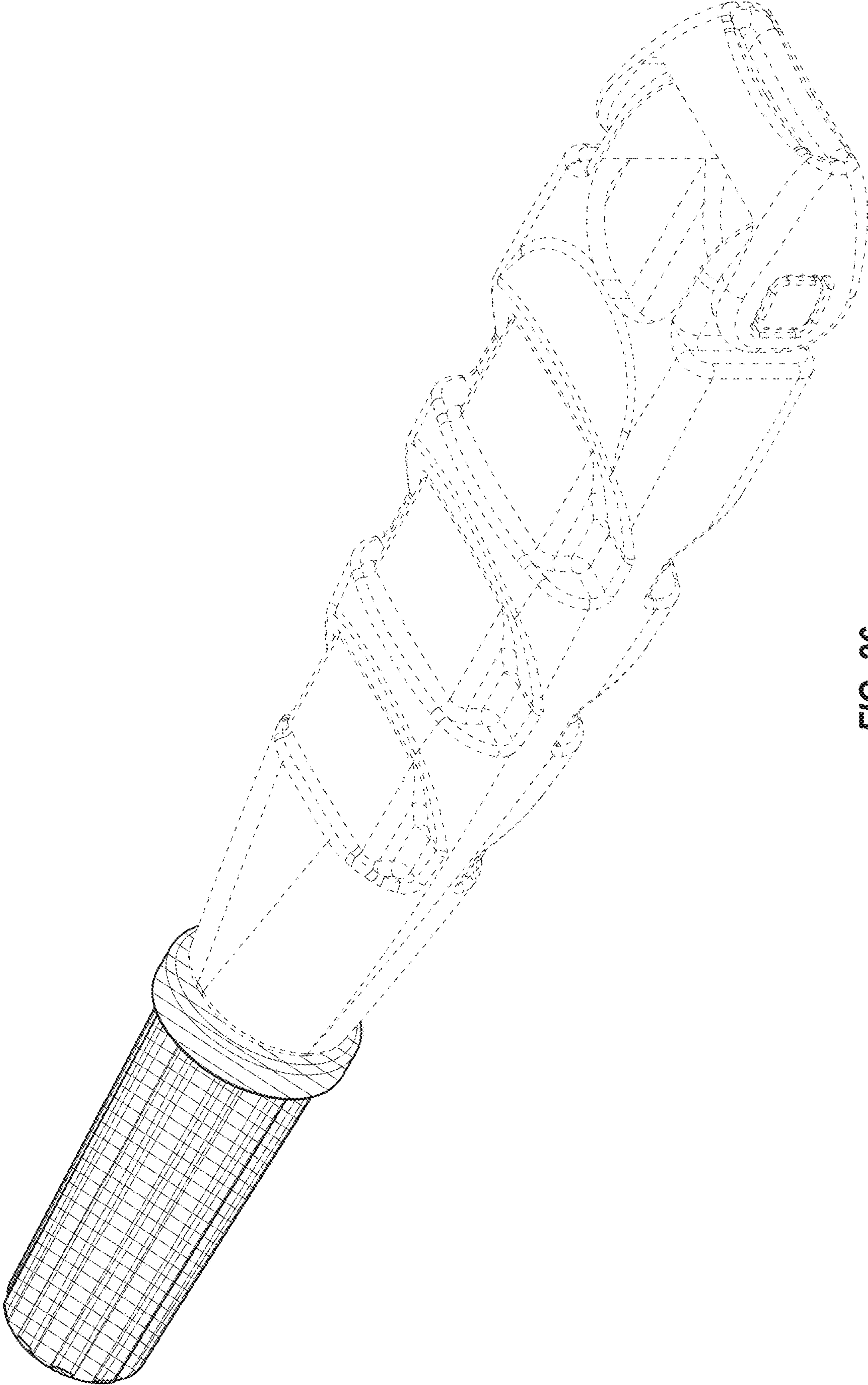


FIG. 26

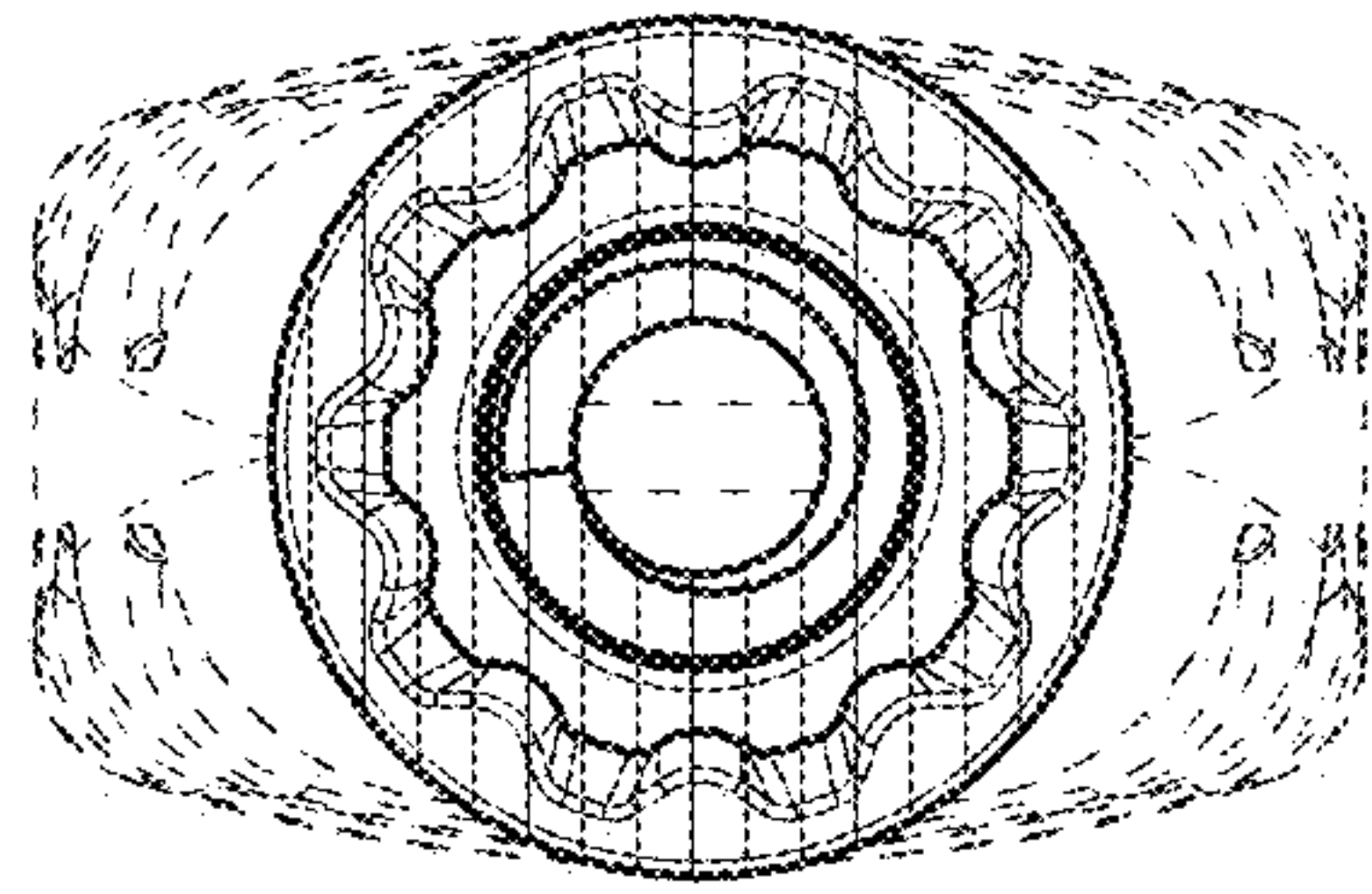


FIG. 27

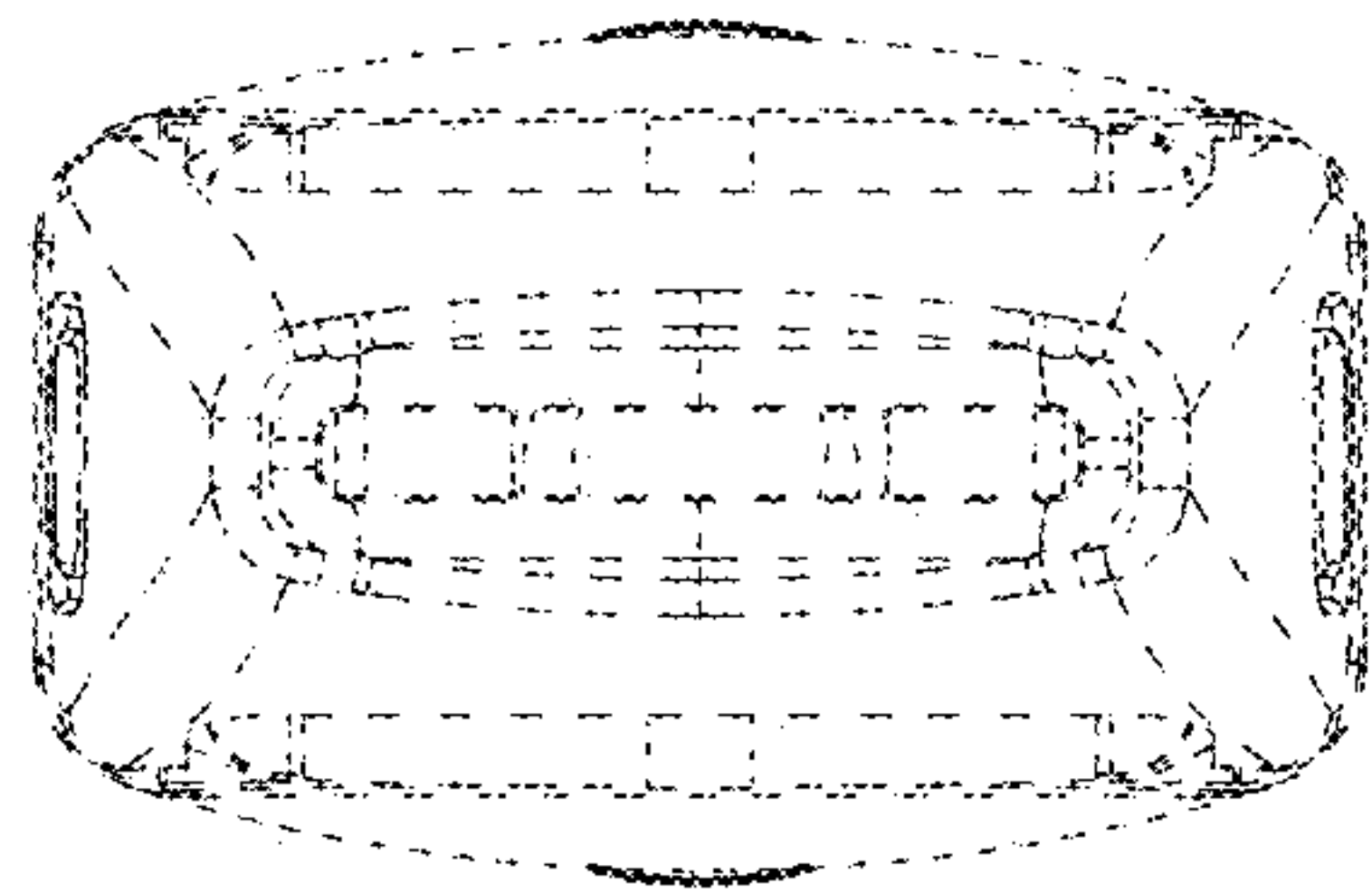


FIG. 28

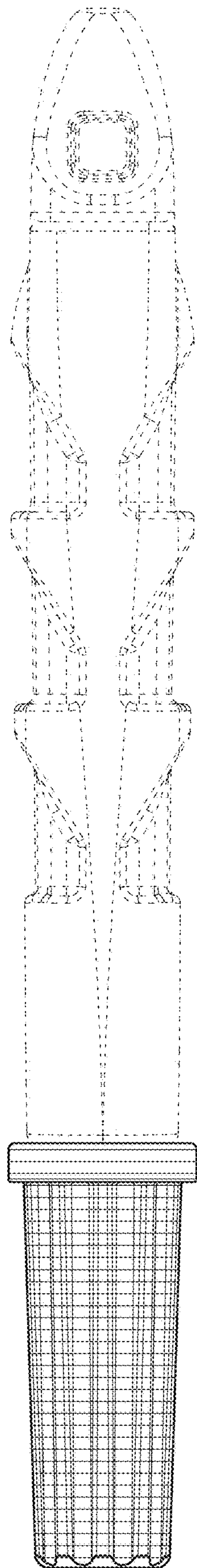


FIG. 29

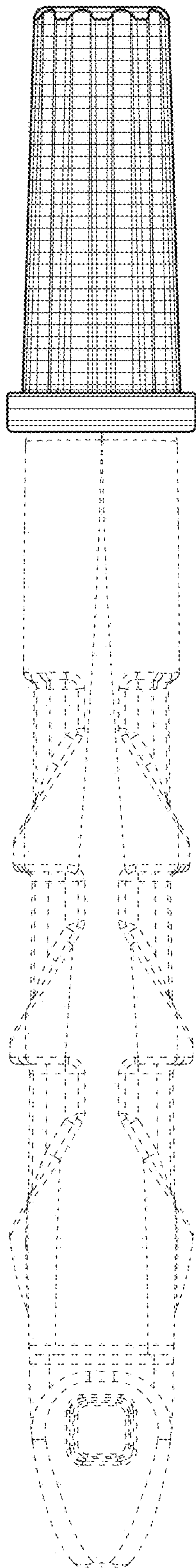


FIG. 30

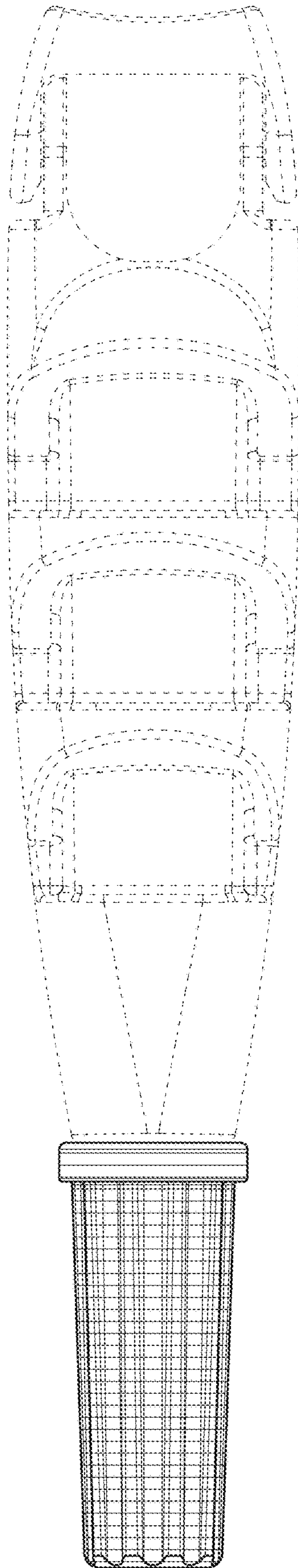


FIG. 31

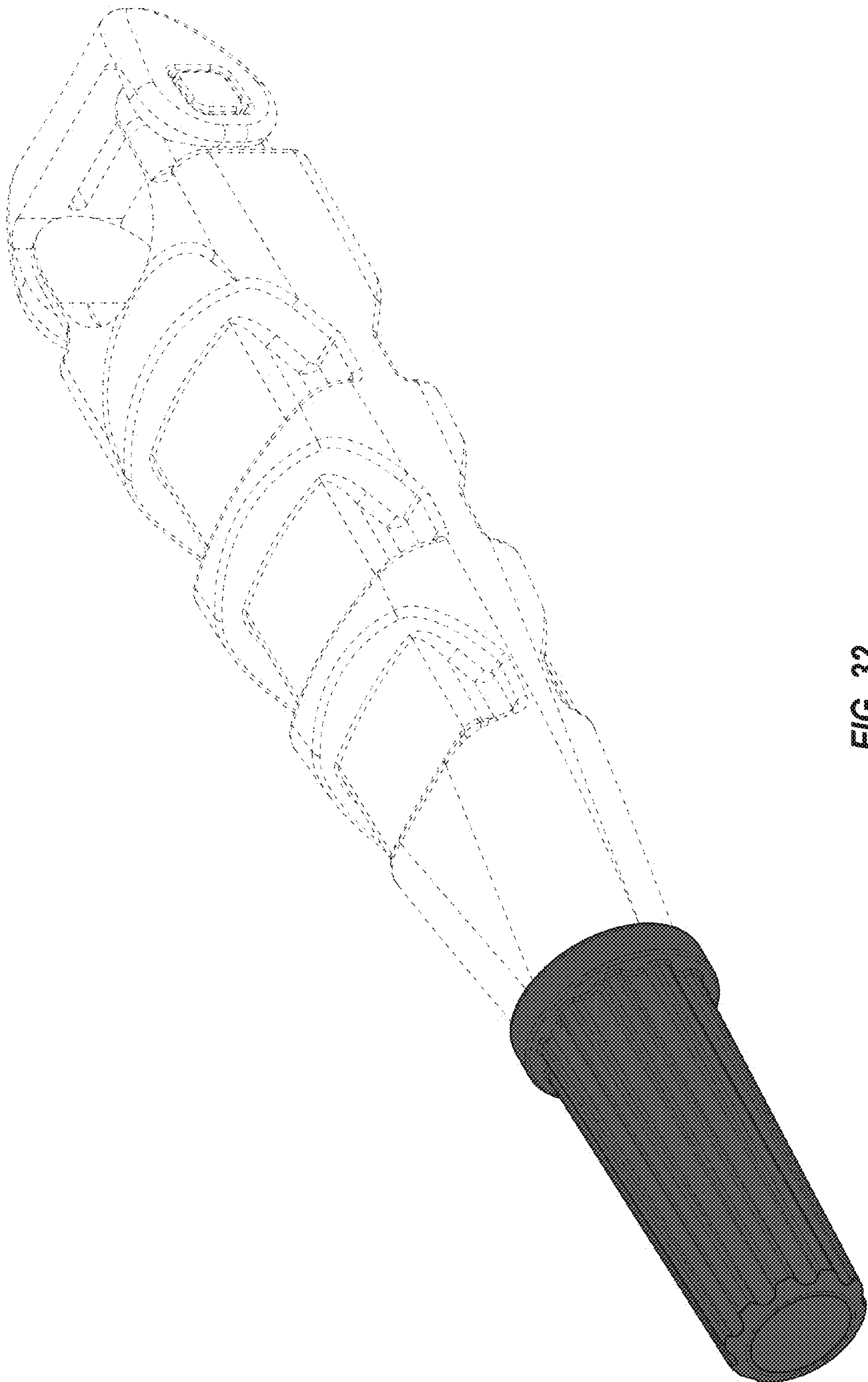


FIG. 32