



US00D919814S

(12) **United States Design Patent** (10) **Patent No.:** **US D919,814 S**
Zikria et al. (45) **Date of Patent:** **** *May 18, 2021**

(54) **HANDHELD DEVICE FOR A RESPIRATORY MONITOR**

(71) Applicant: **CAIRE Diagnostics Inc.**, Pleasanton, CA (US)

(72) Inventors: **Dean Zikria**, Danville, CA (US); **Ryan Leard**, Oakland, CA (US); **Brian Awabdy**, Dublin, CA (US); **Greg Omweg**, Livermore, CA (US)

(73) Assignee: **CAIRE Diagnostics Inc.**, Pleasanton, CA (US)

(*) Notice: This patent is subject to a terminal disclaimer.

(**) Term: **15 Years**

(21) Appl. No.: **29/585,657**

(22) Filed: **Nov. 28, 2016**

(51) **LOC (13) Cl.** **24-02**

(52) **U.S. Cl.**
USPC **D24/164**

(58) **Field of Classification Search**
USPC D24/164, 144, 231, 187, 110, 133, 146;
600/484
CPC A61B 5/0017; A61B 5/087
See application file for complete search history.

(56) **References Cited**

U.S. PATENT DOCUMENTS

D284,095 S *	6/1986	Ashby	D24/164
4,947,861 A	8/1990	Hamilton	
4,981,139 A *	1/1991	Pfohl	A61B 5/0017 600/484
D433,752 S *	11/2000	Saravia	D24/144
D586,465 S *	2/2009	Faulkner	D24/146
D586,916 S *	2/2009	Faulkner	D24/146
D649,636 S *	11/2011	Bean	D24/133
D693,004 S	11/2013	Larsen et al.	

D703,333 S *	4/2014	Saeki	D24/187
D704,341 S *	5/2014	Ryu	D24/187
D747,800 S *	1/2016	Dunleavy	D24/133
D776,255 S *	1/2017	Li	D24/110
D811,607 S *	2/2018	Kitayama	D24/187
D811,608 S *	2/2018	Kitayama	D24/187
D825,738 S *	8/2018	Mitchell	D24/110

(Continued)

FOREIGN PATENT DOCUMENTS

WO	8504016 A1	9/1985
WO	2013154431 A2	10/2013

(Continued)

OTHER PUBLICATIONS

Response to Non-Final Office Action dated Aug. 9, 2018 for U.S. Appl. No. 29/585,663, dated Nov. 9, 2018 (17 pages).

(Continued)

Primary Examiner — Rhea Shields

(57) **CLAIM**

The ornamental design for a handheld device for a respiratory monitor, as shown and described.

DESCRIPTION

FIG. 1 is a front perspective view of a handheld device for a respiratory monitor, in accordance with the present invention.

FIG. 2 is a rear perspective view thereof;

FIG. 3 is a right side view thereof;

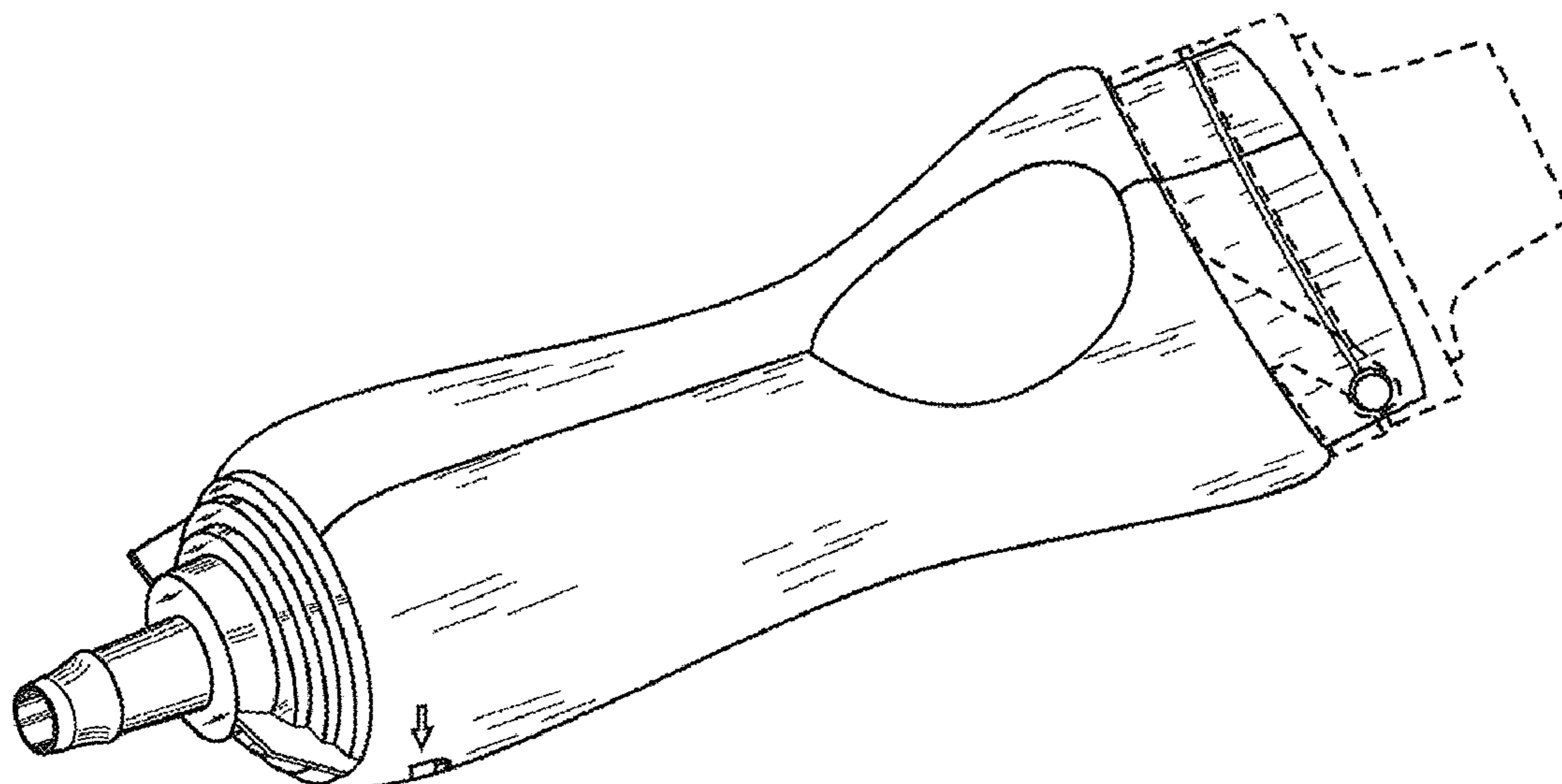
FIG. 4 is left side view thereof;

FIG. 5 is an angled top perspective view thereof; and,

FIG. 6 is an angled bottom perspective view thereof.

In the drawings, the broken lines are for the purpose of illustrating unclaimed portions of the handheld device for a respiratory monitor which forms no part of the claimed design.

1 Claim, 5 Drawing Sheets



(56)

References Cited

U.S. PATENT DOCUMENTS

D837,365 S * 1/2019 Li D24/110
D837,390 S * 1/2019 Harada D24/187
2015/0250408 A1 9/2015 Ssenyange et al.
2016/0331272 A1 11/2016 Ahmad et al.
2017/0065208 A1 3/2017 Furusaki et al.
2018/0146886 A1* 5/2018 Leard A61B 5/087

FOREIGN PATENT DOCUMENTS

WO 2013154431 A3 10/2013
WO 2015134895 A1 9/2015
WO 2015179751 A1 11/2015
WO 2018098483 A1 5/2018

OTHER PUBLICATIONS

PCT Notification of Transmittal of the International Search Report and Written Opinion of the International Searching Authority, or the Declaration for International application No. PCT/US2017/063483, dated Mar. 15, 2018 (14 pages).

EUIPO Certificate of Registration for Registered Community Design Registration No. 004012862-0001 (Registered May 22, 2017) (6 Pages).

EUIPO Certificate of Registration for Registered Community Design Registration No. 004013290-0001 (Registered May 22, 2017) (6 Pages).

USPTO Office Action dated Aug. 9, 2018 for U.S. Appl. No. 29/585,663 (8 Pages).

* cited by examiner

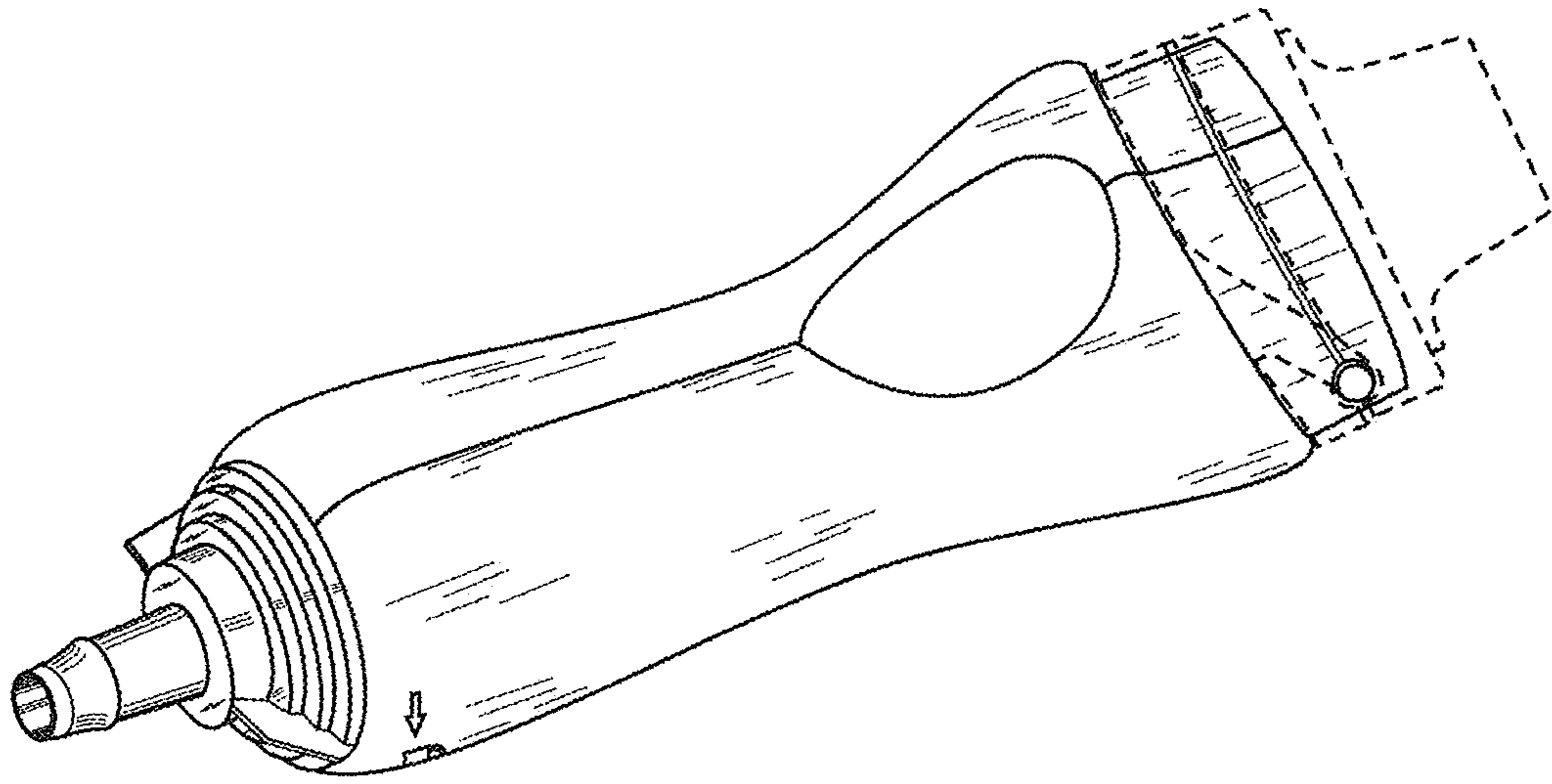


FIG.1

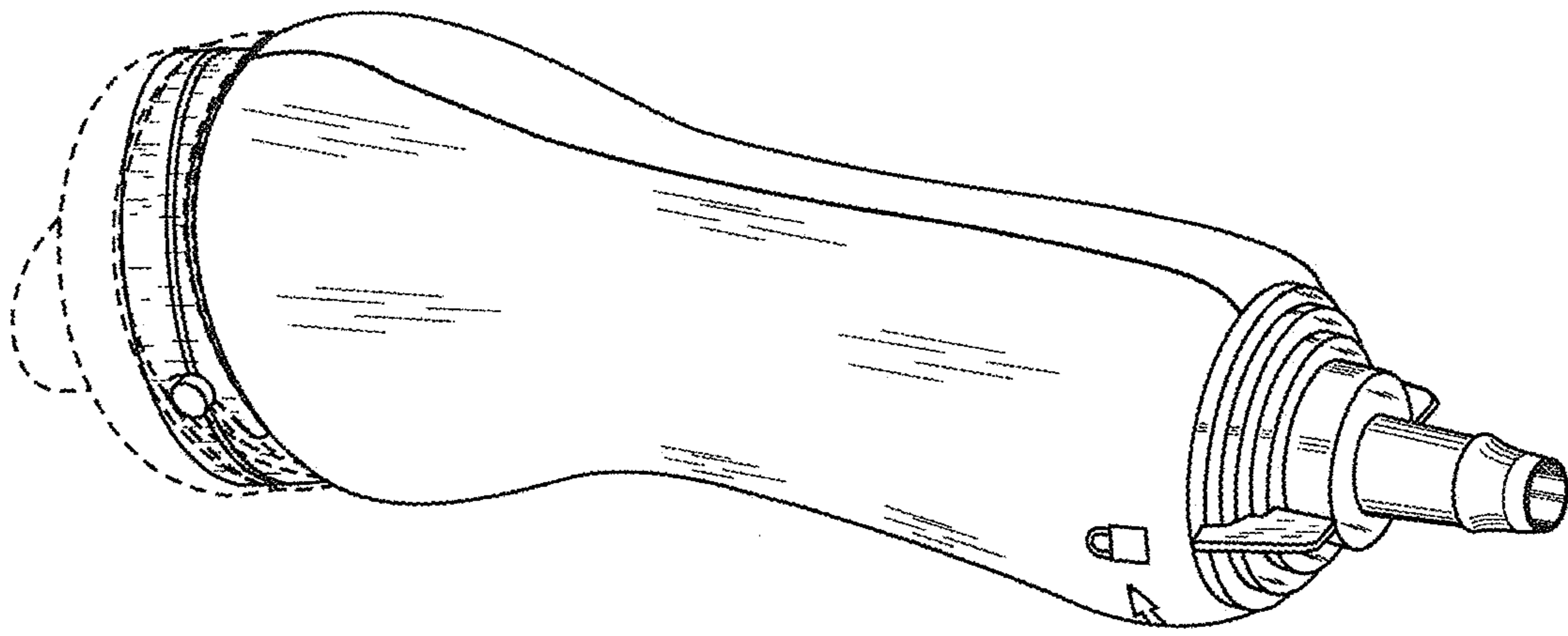


FIG.2

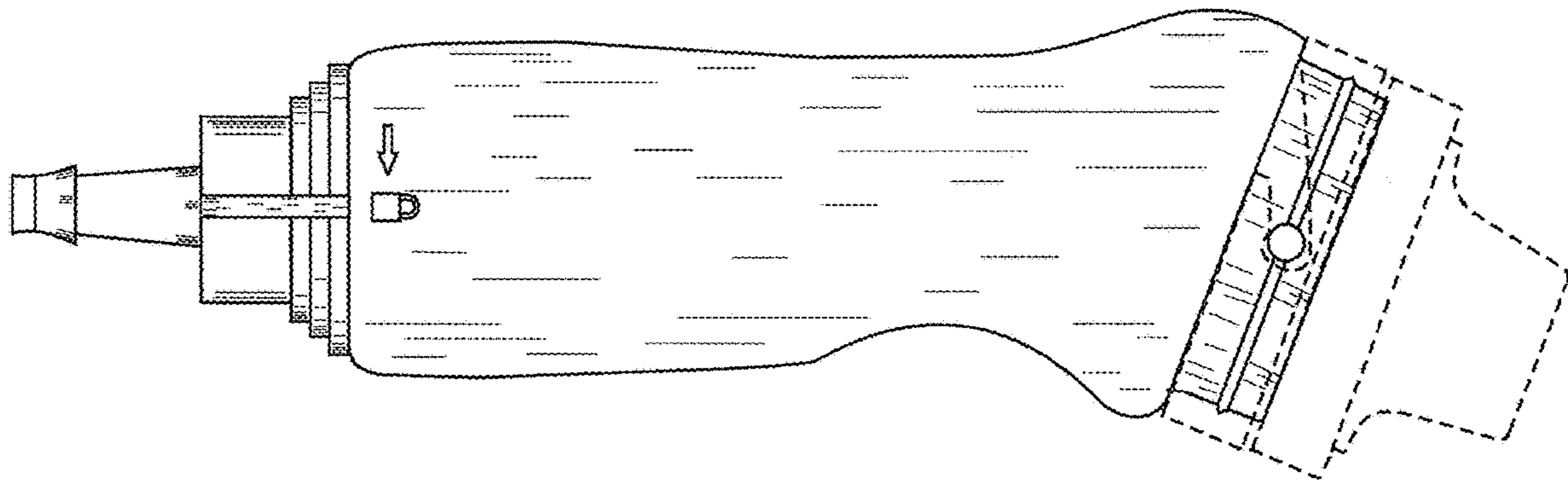


FIG. 3

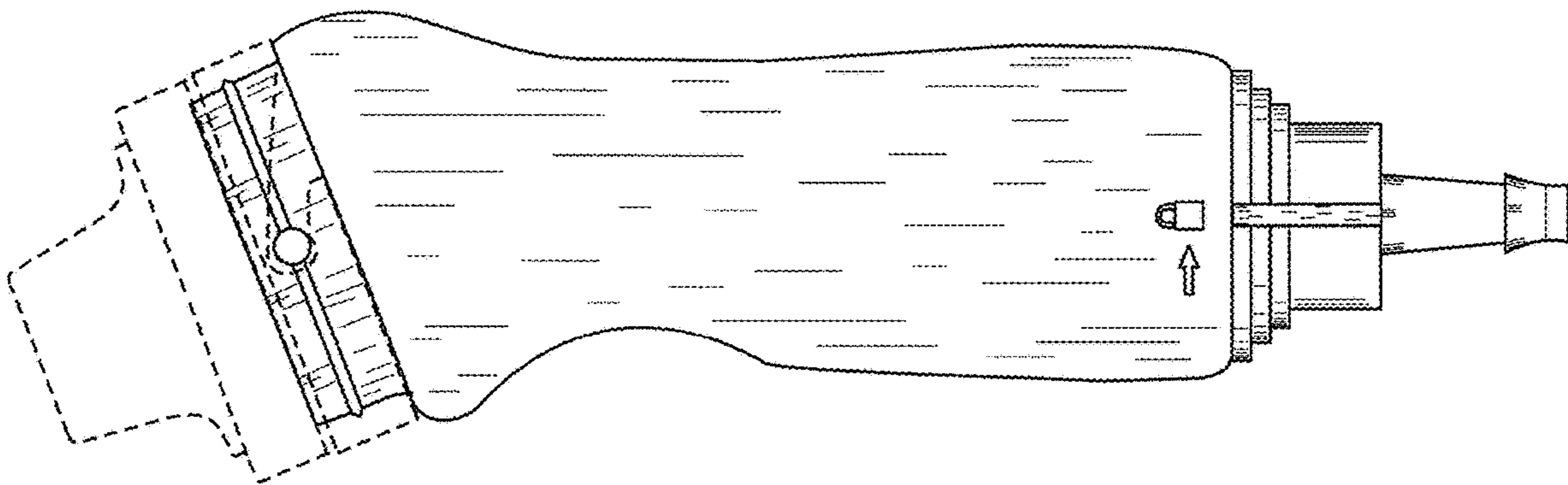


FIG. 4

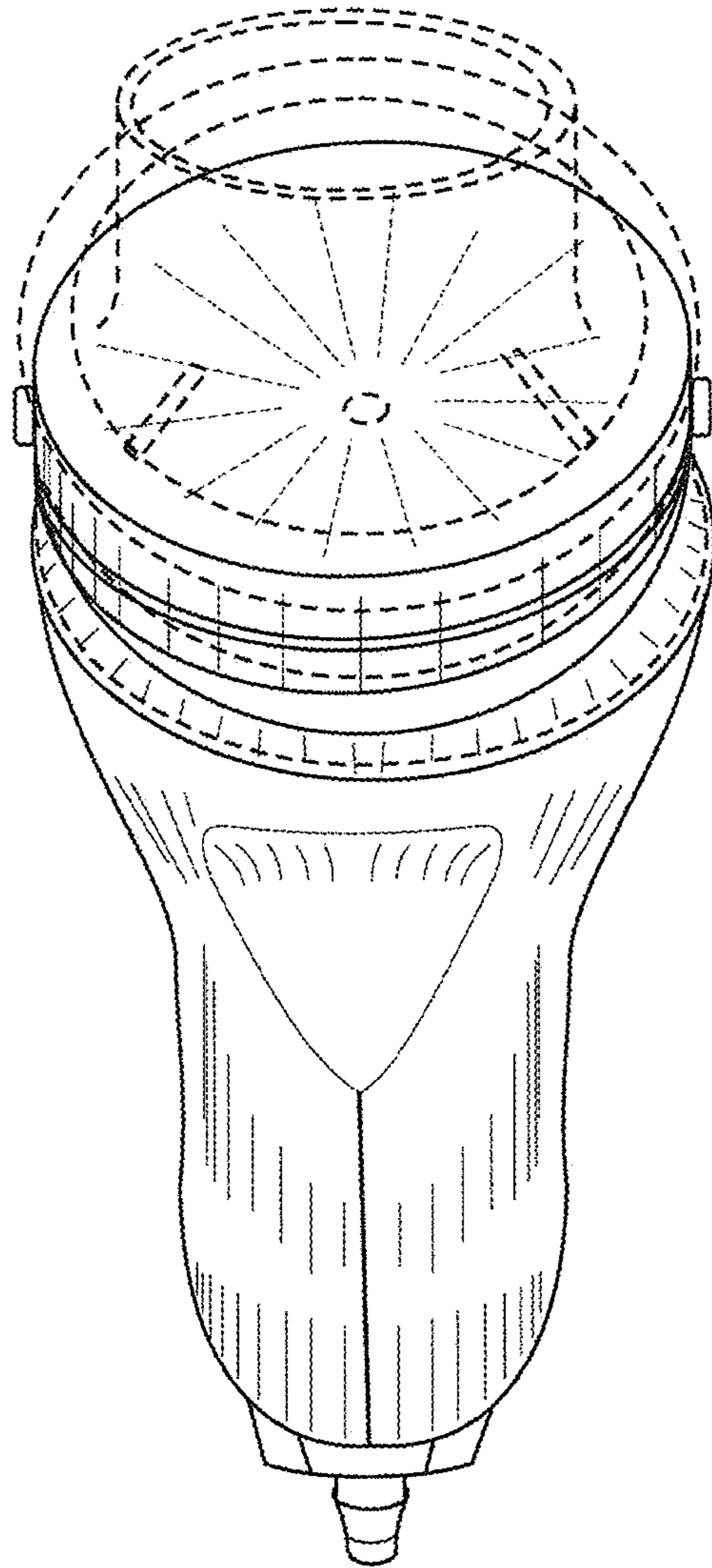


FIG. 5

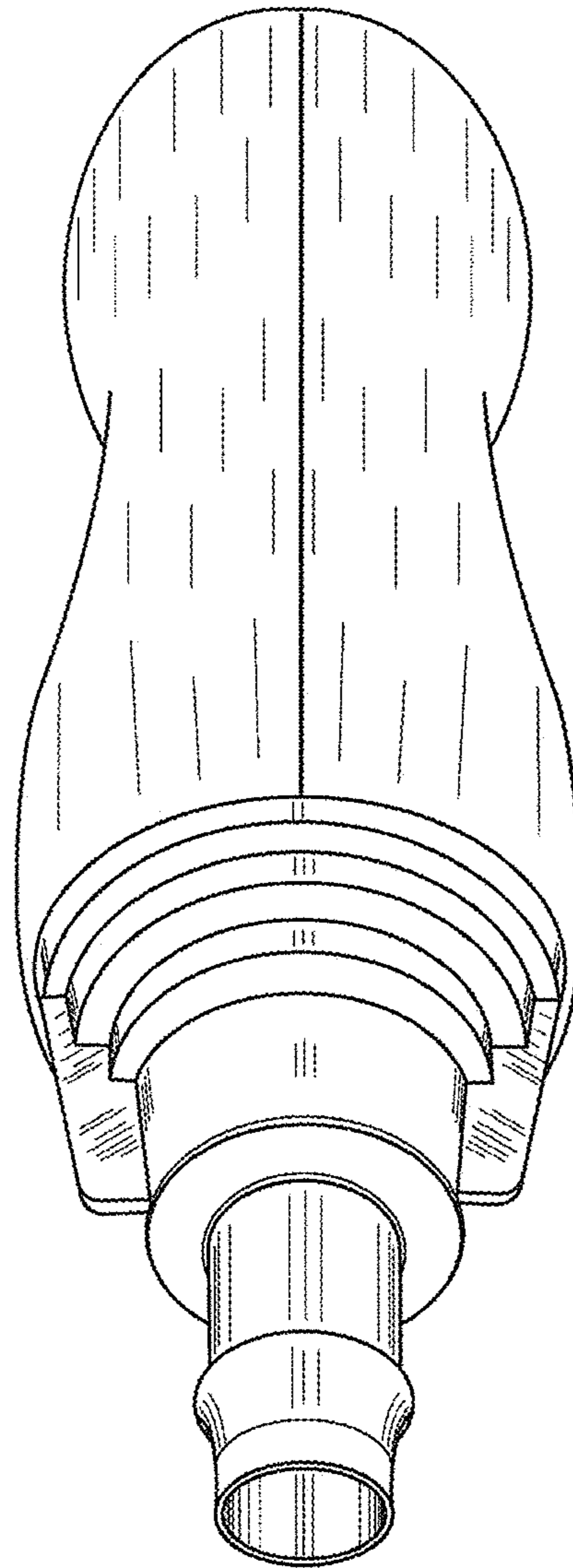


FIG. 6