



US00D919811S

(12) **United States Design Patent**
Murray et al.

(10) **Patent No.:** **US D919,811 S**

(45) **Date of Patent:** **** May 18, 2021**

(54) **DRAPE FOR AN IMAGING DEVICE**

(71) Applicant: **Stryker European Operations Limited**, Carrigtwohill (IE)

(72) Inventors: **Gavin Michael Murray**, Vancouver (CA); **Adam John Tynan**, Vancouver (CA)

(73) Assignee: **STRYKER EUROPEAN OPERATIONS LIMITED**, Carrigtwohill (IE)

(**) Term: **15 Years**

(21) Appl. No.: **29/724,650**

(22) Filed: **Feb. 18, 2020**

Related U.S. Application Data

(63) Continuation of application No. 15/591,909, filed on May 10, 2017.

(51) **LOC (13) Cl.** **24-01**

(52) **U.S. Cl.**
USPC **D24/158**

(58) **Field of Classification Search**

USPC D16/219, 237–250; D8/354, 355, 363, D8/373, 382–383, 394–396; D14/224, D14/229, 238, 251, 253, 447, 451, 457; D24/158, 160

CPC F16M 11/06–10; F16M 11/14; G02B 7/00–002; G03B 17/56; G03B 17/561–566; H04N 5/2253–2254

See application file for complete search history.

(56) **References Cited**

U.S. PATENT DOCUMENTS

D346,921 S * 5/1994 Stallsmith D6/567
D483,668 S * 12/2003 Le Roux D9/434

D567,649 S * 4/2008 Borkowski D9/434
D646,315 S * 10/2011 Orf D16/242
D692,576 S * 10/2013 Steinman D24/216
D693,802 S * 11/2013 Wikel D14/253
D742,509 S * 11/2015 Anderson D24/129
D749,598 S * 2/2016 Ray D14/448
D764,565 S * 8/2016 Tekunoff D16/242
D782,901 S * 4/2017 Richter D8/355
D834,583 S * 11/2018 Janzen D14/447
2011/0019992 A1 * 1/2011 Orf F16M 11/32
396/419

* cited by examiner

Primary Examiner — Vy N Koenig

(74) *Attorney, Agent, or Firm* — Morrison & Foerster LLP

(57) **CLAIM**

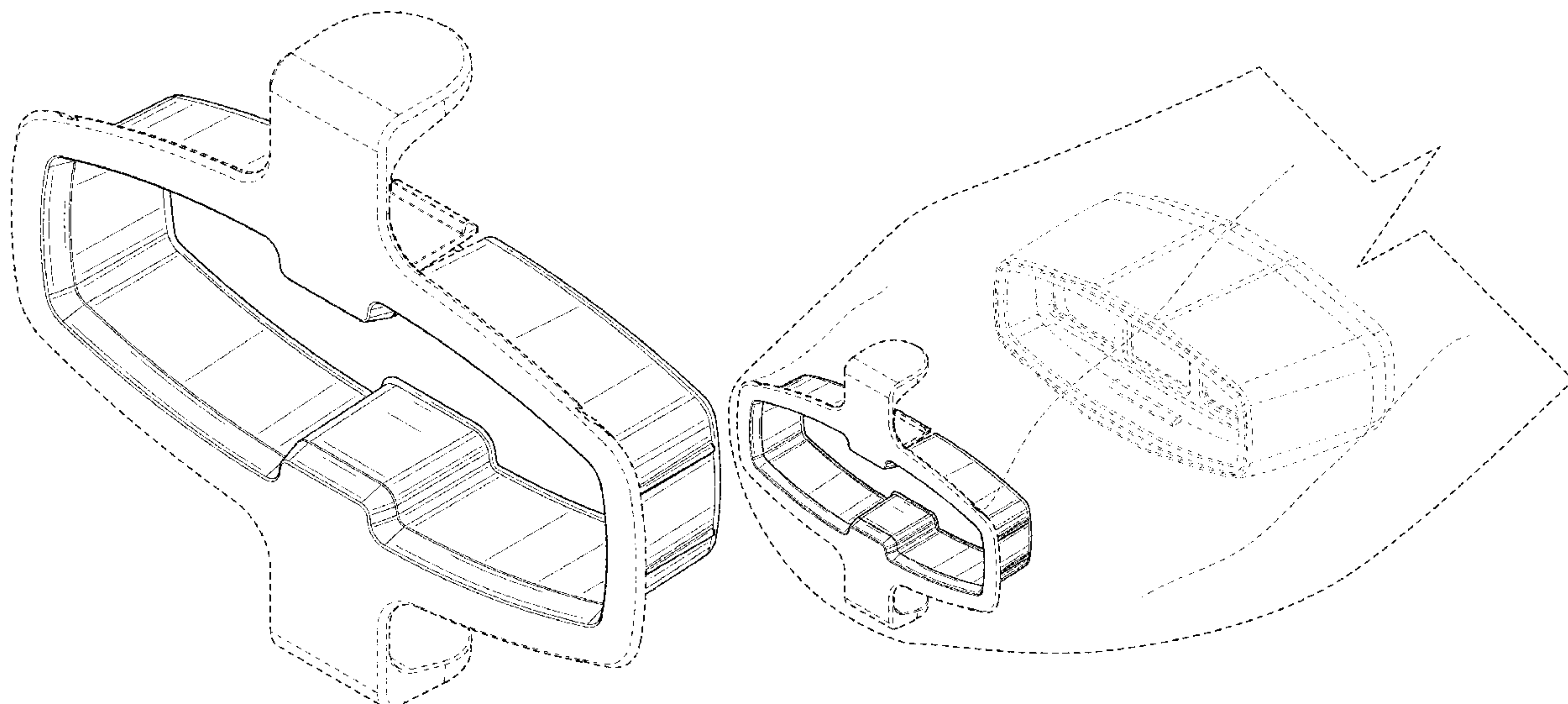
We claim the ornamental design for a drape for an imaging device, as shown and described.

DESCRIPTION

FIG. 1 is a front perspective view of a drape for an imaging device showing our new design;
FIG. 2 is a front view thereof;
FIG. 3 is a side view thereof;
FIG. 4 is a side view of the opposite side of FIG. 3;
FIG. 5 is a top view thereof;
FIG. 6 is a bottom view thereof; and,
FIG. 7 is a front perspective view thereof showing environment.

The broken lines shown in the drawings illustrate environment and portions of the drape for an imaging device that form no part of the claimed design.

1 Claim, 7 Drawing Sheets



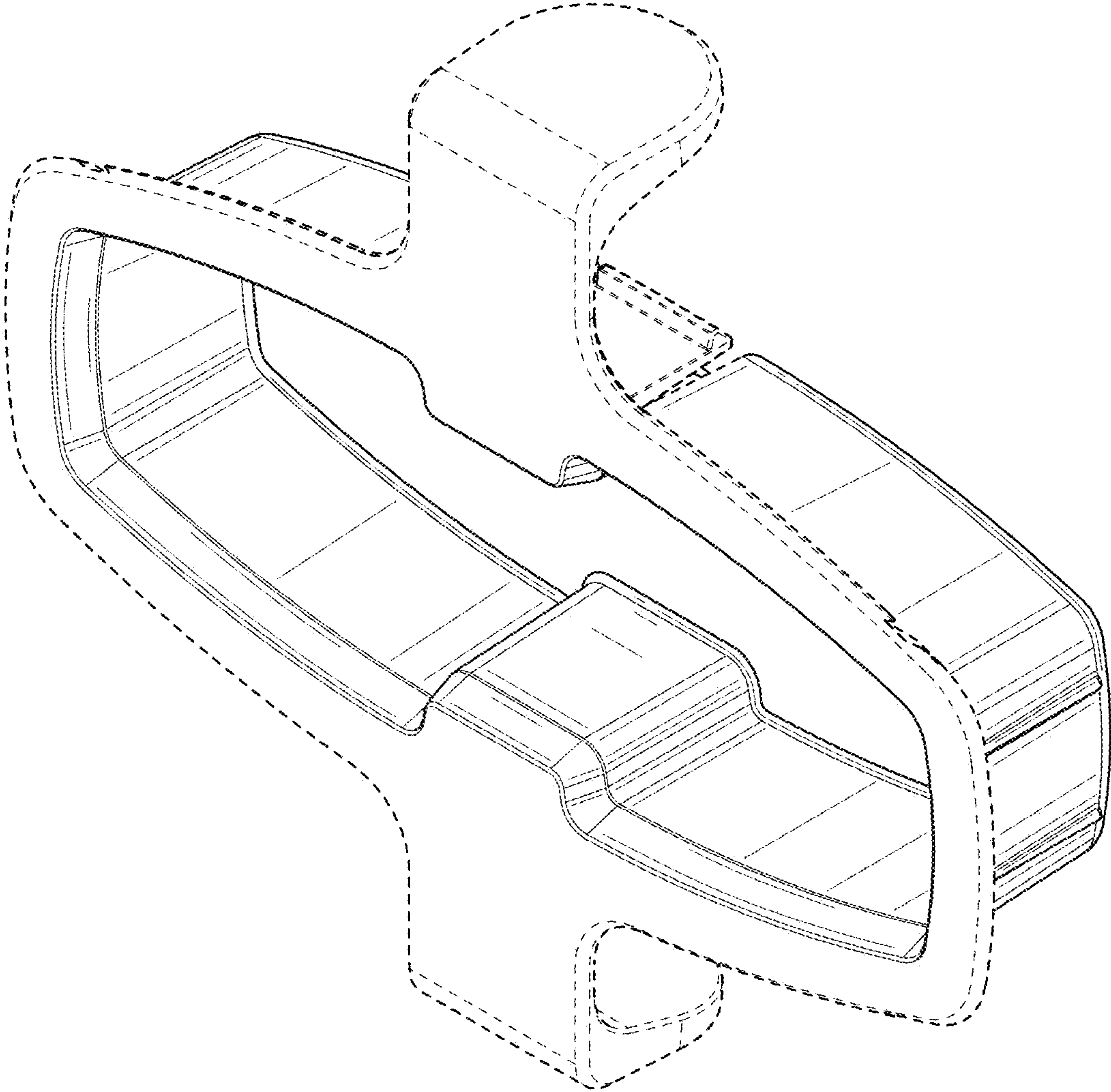


FIG. 1

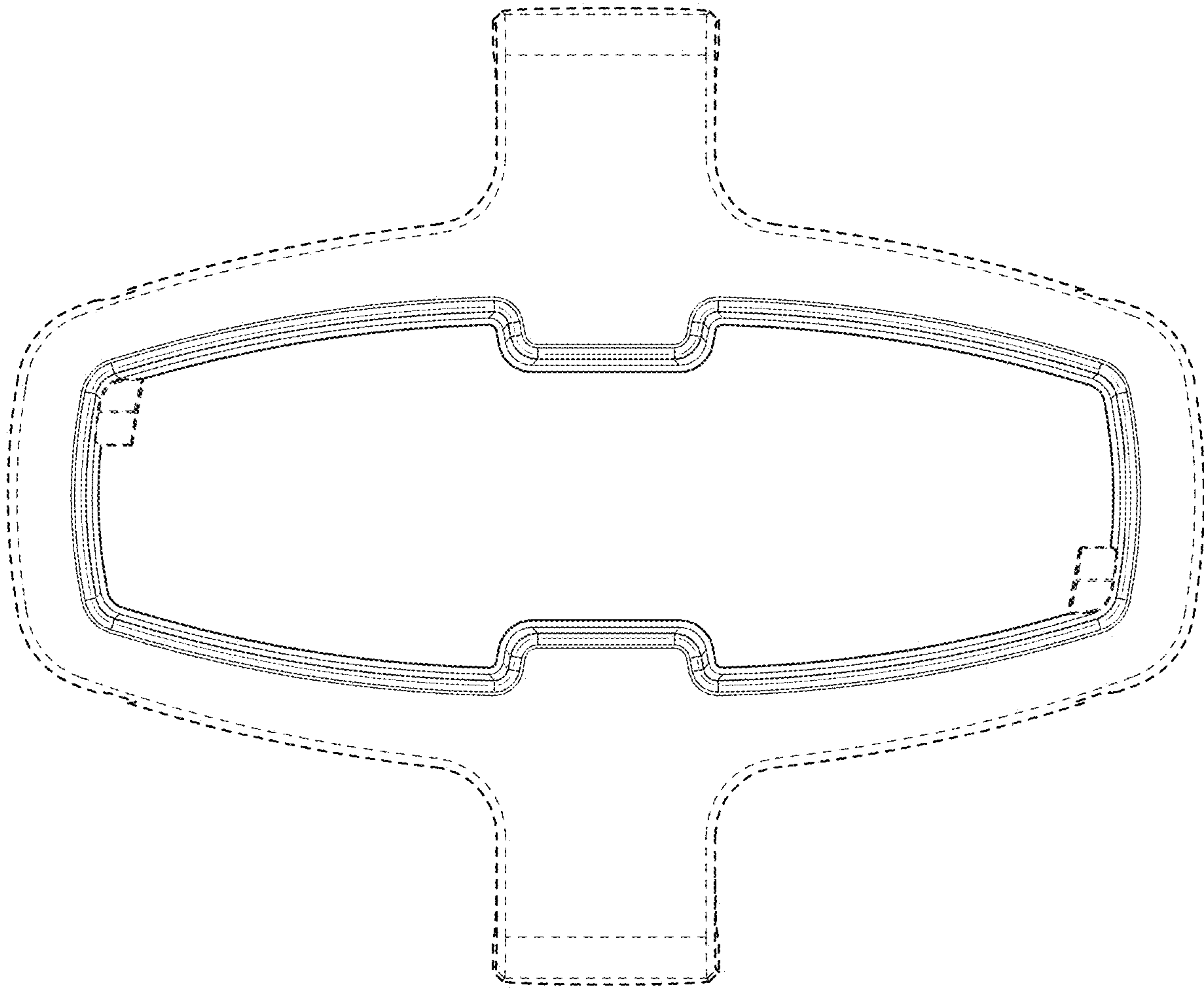


FIG. 2

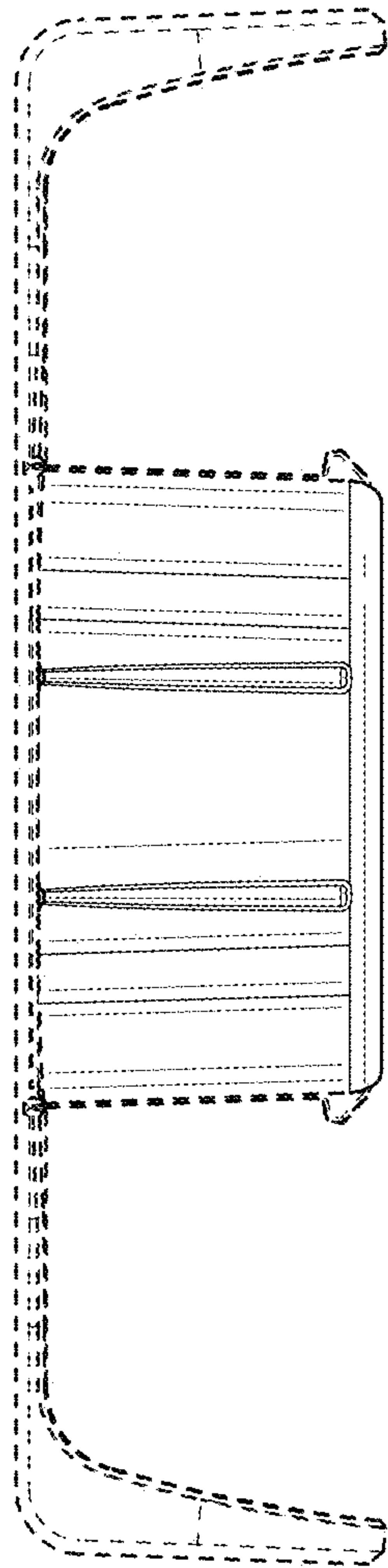


FIG. 3

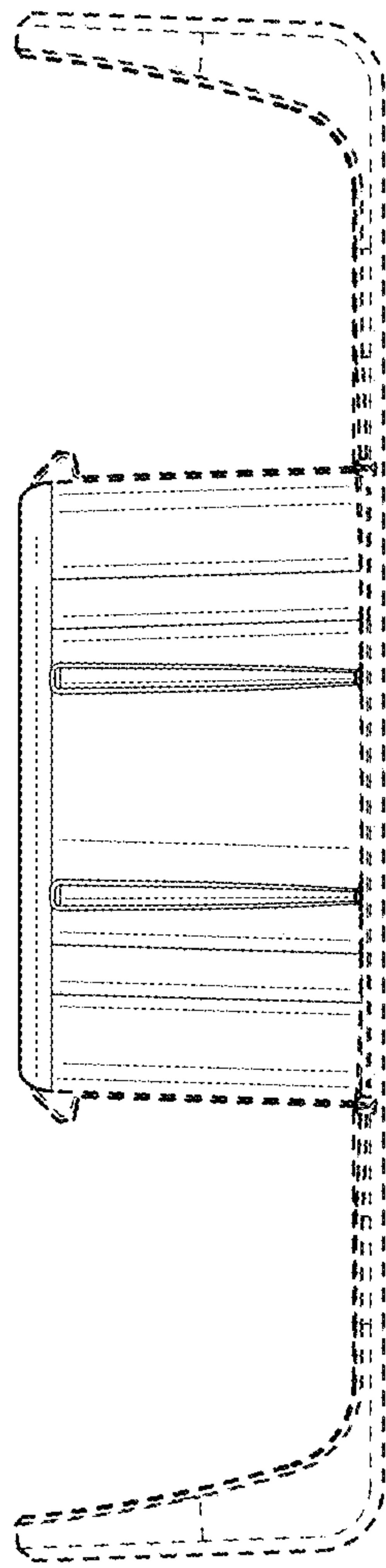


FIG. 4

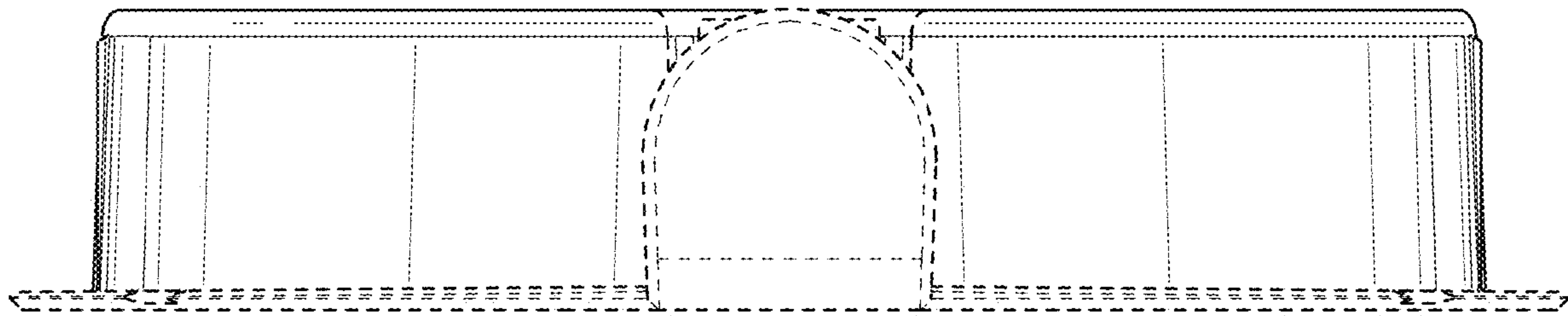


FIG. 5

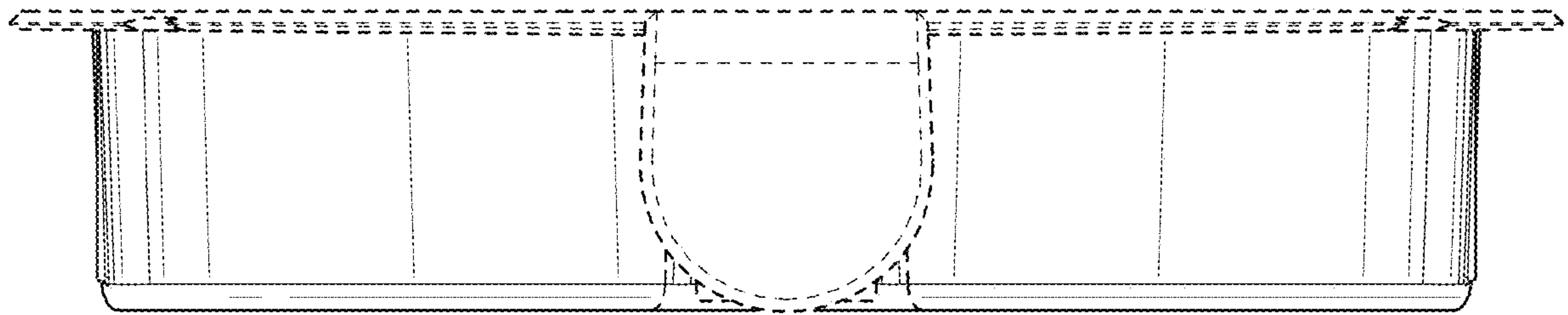


FIG. 6

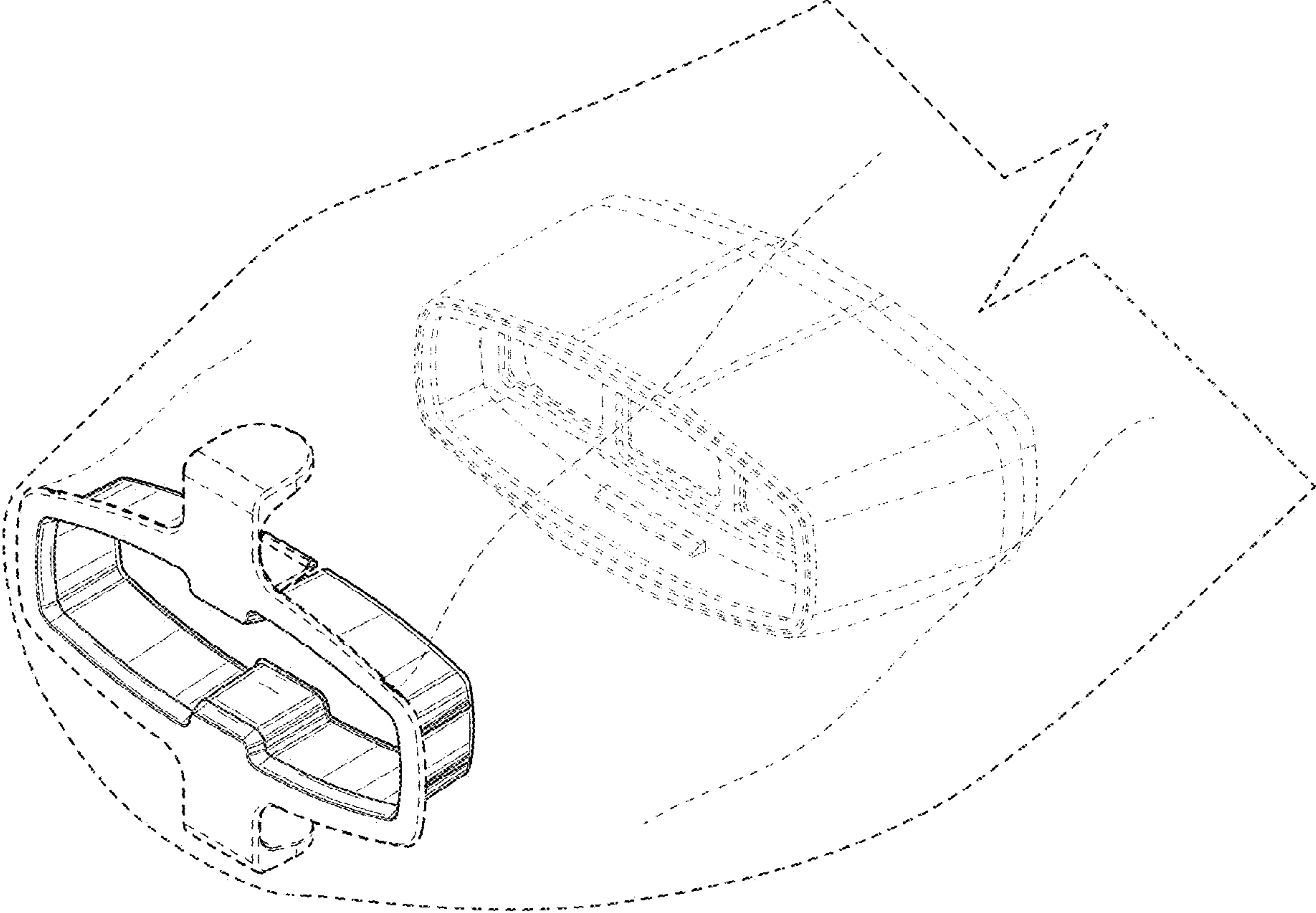


FIG. 7