



US00D919810S

(12) **United States Design Patent**
Murray et al.

(10) **Patent No.:** **US D919,810 S**
(45) **Date of Patent:** **** May 18, 2021**

(54) **DRAPE FOR AN IMAGING DEVICE**
(71) Applicant: **Stryker European Operations Limited**, Carrigtwohill (IE)
(72) Inventors: **Gavin Michael Murray**, Vancouver (CA); **Adam John Tynan**, Vancouver (CA)
(73) Assignee: **STRYKER EUROPEAN OPERATIONS LIMITED**, Carrigtwohill (IE)

D567,649	S	*	4/2008	Borkowski	D9/434
D646,315	S	*	10/2011	Orf	D16/242
D692,576	S	*	10/2013	Steinman	D24/216
D693,802	S	*	11/2013	Wikel	D14/253
D742,509	S	*	11/2015	Anderson	D24/129
D749,598	S	*	2/2016	Ray	D14/448
D764,565	S	*	8/2016	Tekunoff	D16/242
D782,901	S	*	4/2017	Richter	D8/355
D834,583	S	*	11/2018	Janzen	D14/447
2011/0019992	A1	*	1/2011	Orf	F16M 11/32 396/419

(**) Term: **15 Years**
(21) Appl. No.: **29/724,647**
(22) Filed: **Feb. 18, 2020**

* cited by examiner

Primary Examiner — Vy N Koenig
(74) *Attorney, Agent, or Firm* — Morrison & Foerster LLP

Related U.S. Application Data

(63) Continuation of application No. 15/591,909, filed on May 10, 2017.
(51) **LOC (13) Cl.** **24-01**
(52) **U.S. Cl.**
USPC **D24/158**
(58) **Field of Classification Search**
USPC D16/219, 237–250; D8/354, 355, 363, D8/373, 382–383, 394–396; D14/224, D14/229, 238, 251, 253, 447, 451, 457; D24/158, 160
CPC F16M 11/06–10; F16M 11/14; G02B 7/00–002; G03B 17/56; G03B 17/561–566; H04N 5/2253–2254
See application file for complete search history.

(57) **CLAIM**

We claim the ornamental design for a drape for an imaging device, as shown and described.

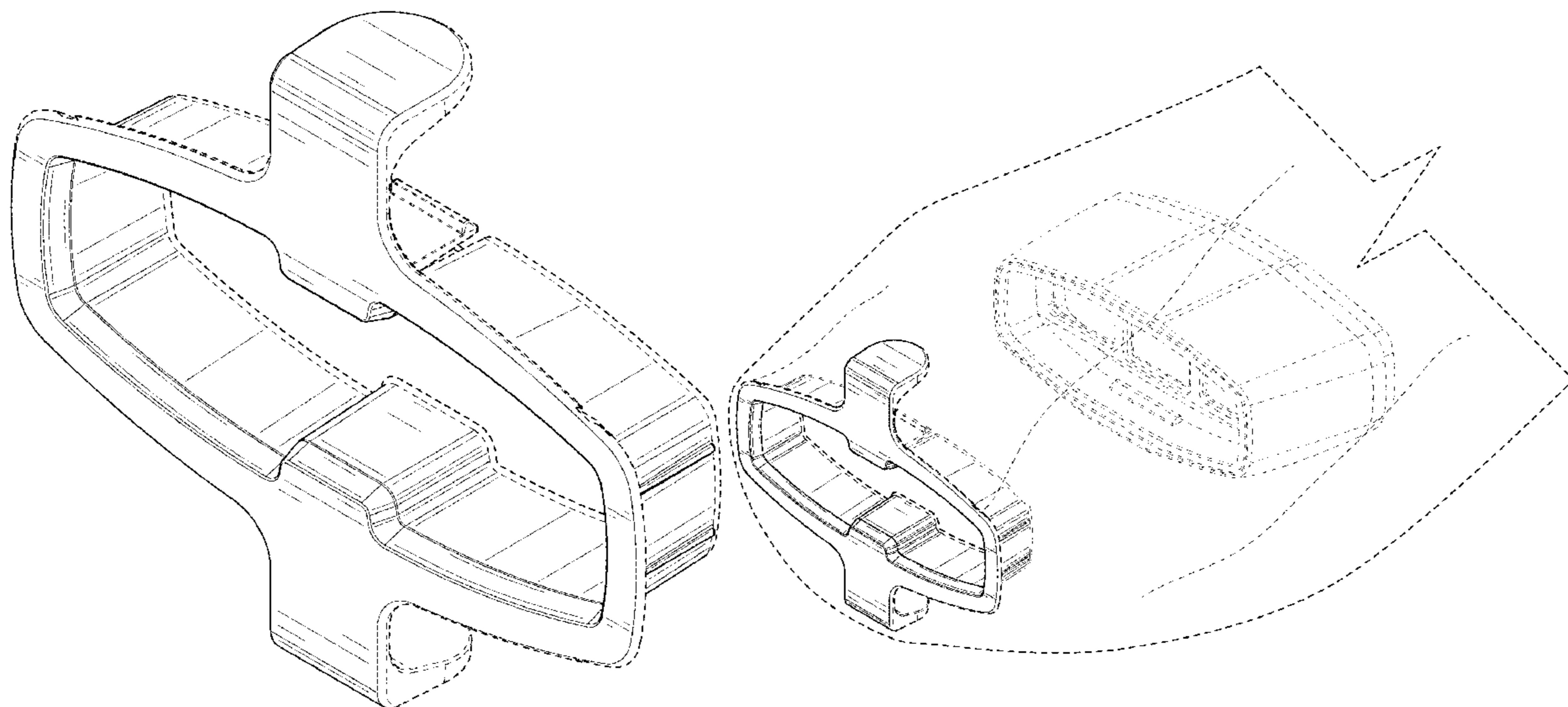
DESCRIPTION

FIG. 1 is a front perspective view of a drape for an imaging device showing our new design;
FIG. 2 is a front view thereof;
FIG. 3 is a side view thereof;
FIG. 4 is a side view of the opposite side of FIG. 3;
FIG. 5 is a top view thereof;
FIG. 6 is a bottom view thereof; and,
FIG. 7 is a front perspective view thereof showing environment.
The broken lines shown in the drawings illustrate environment and portions of the drape for an imaging device that form no part of the claimed design.

(56) **References Cited**
U.S. PATENT DOCUMENTS

D346,921	S	*	5/1994	Stallsmith	D6/567
D483,668	S	*	12/2003	Le Roux	D9/434

1 Claim, 7 Drawing Sheets



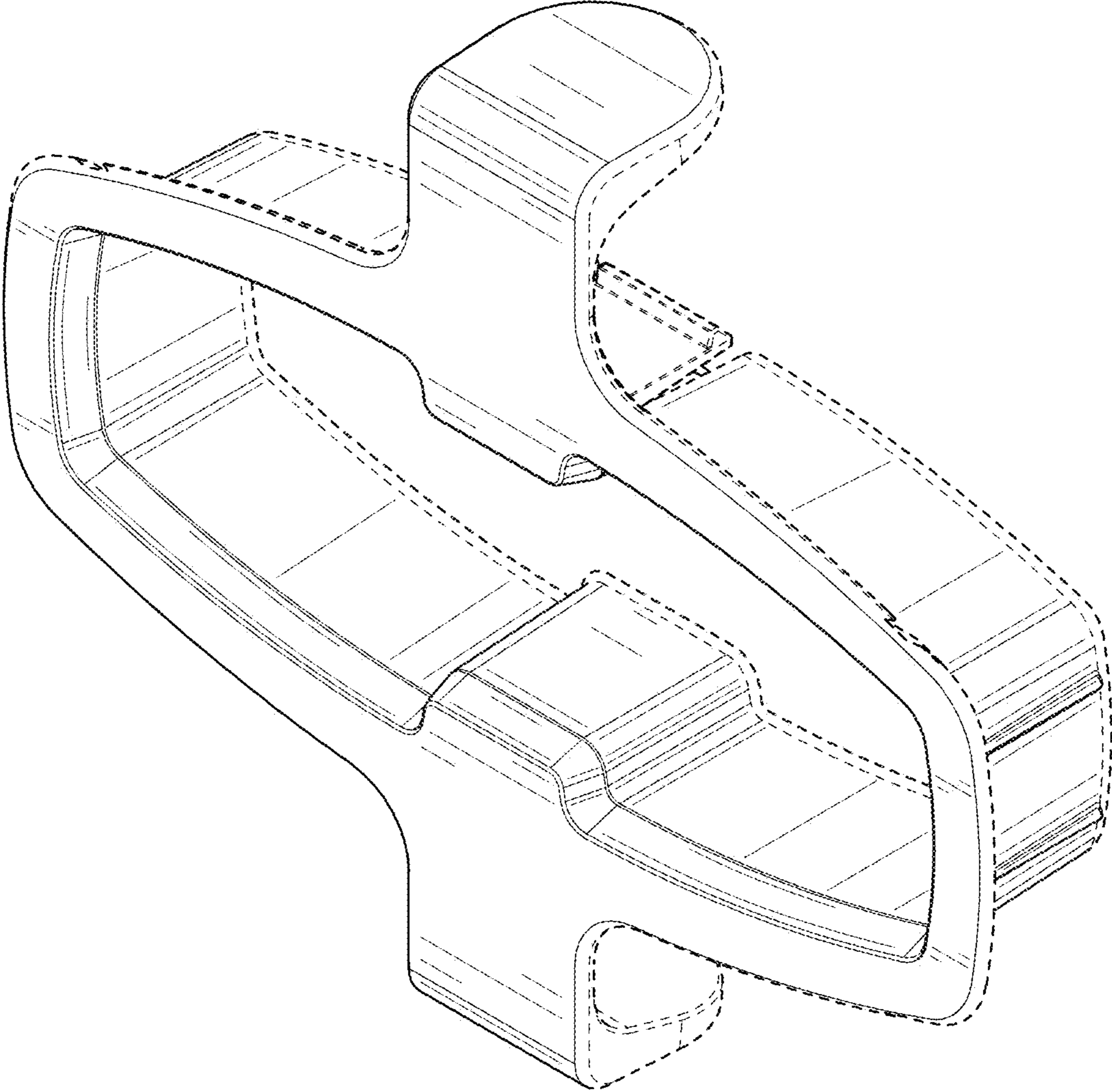


FIG. 1

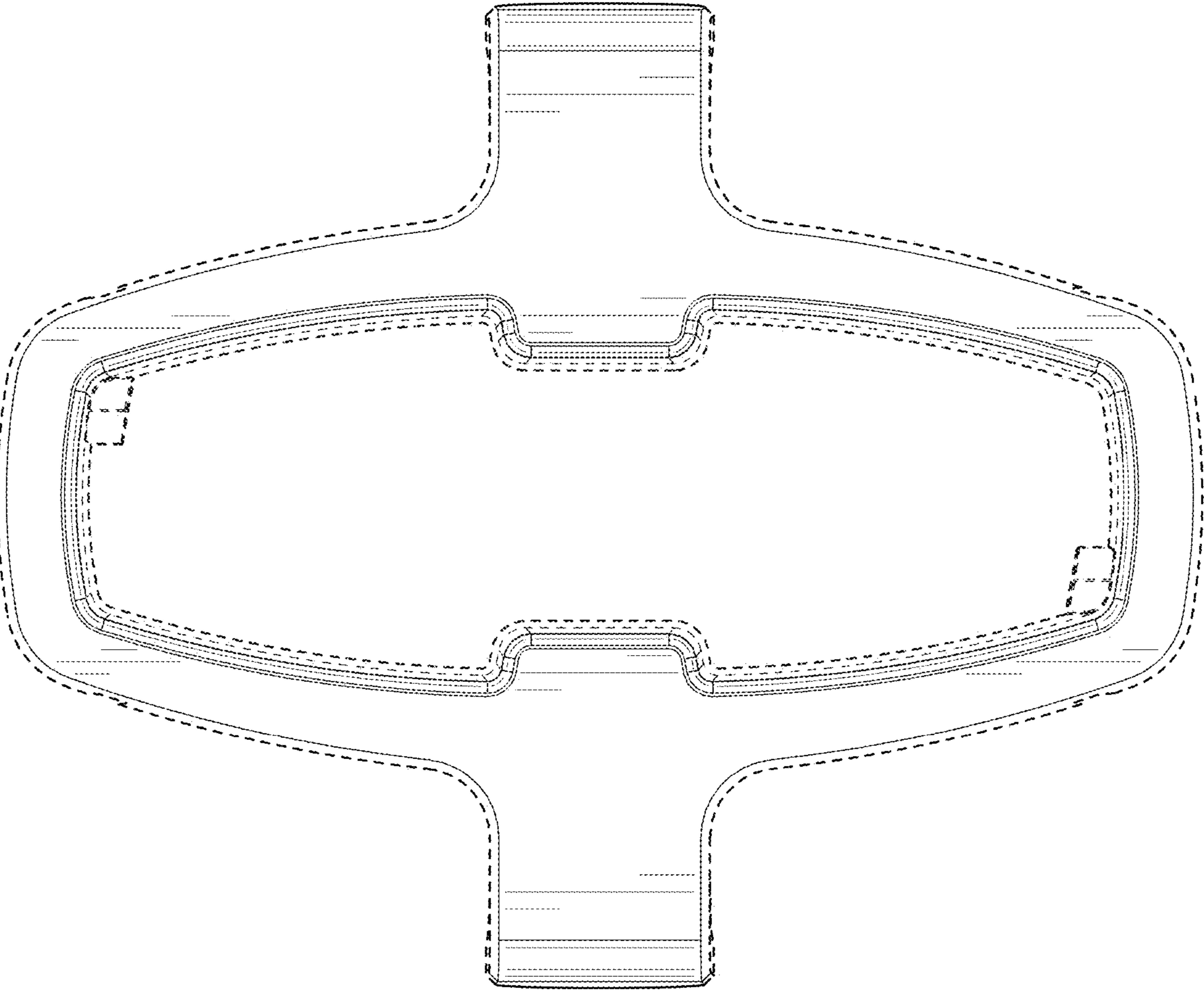


FIG. 2

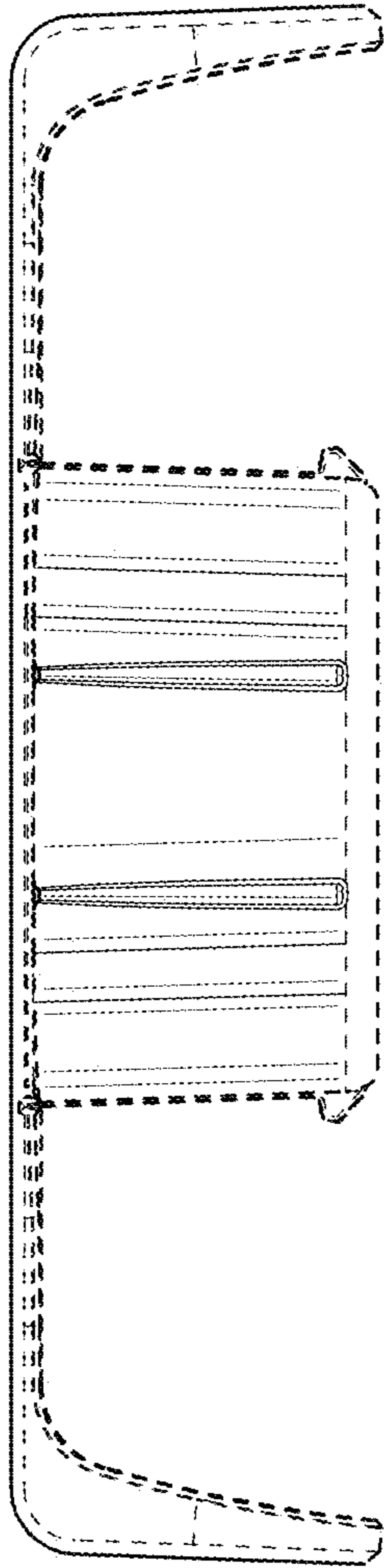


FIG. 3

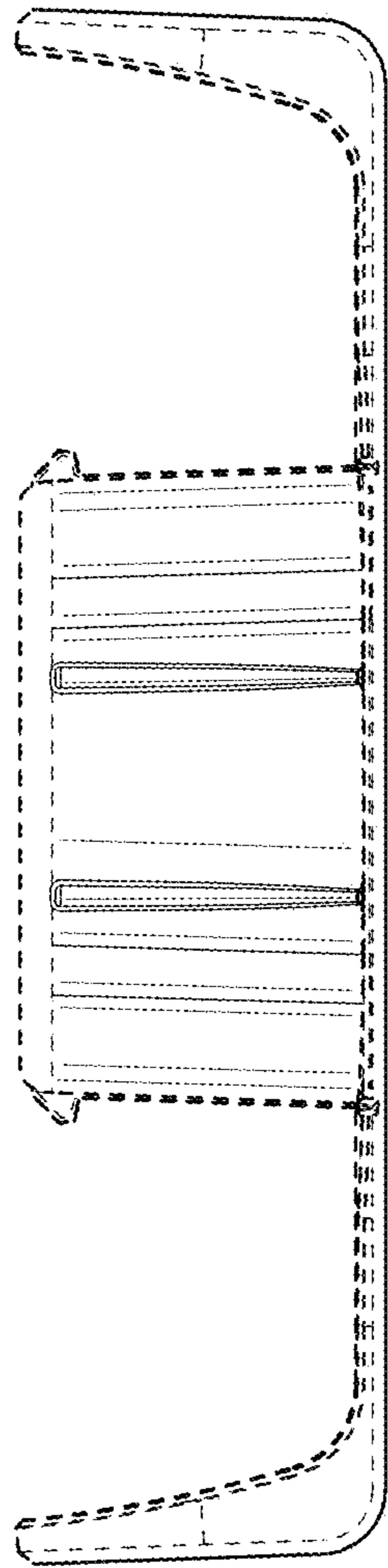


FIG. 4

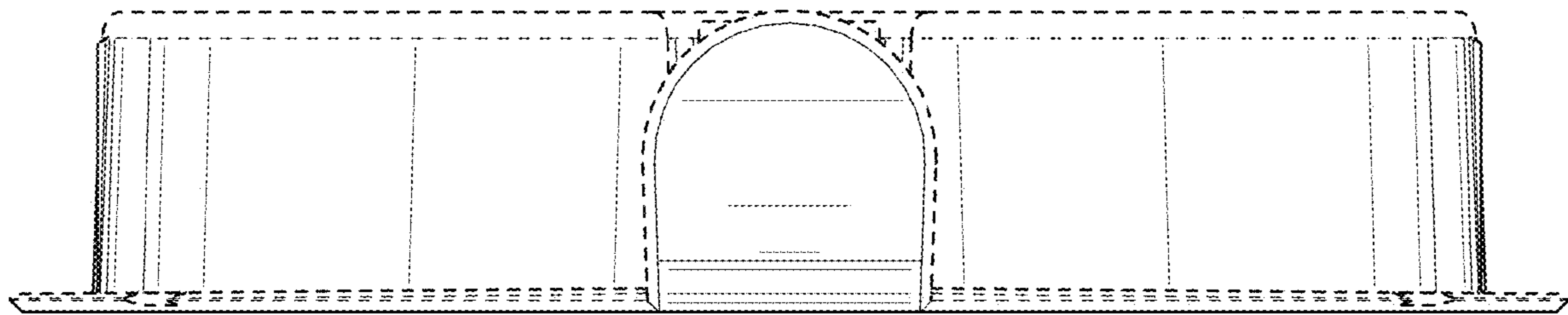


FIG. 5

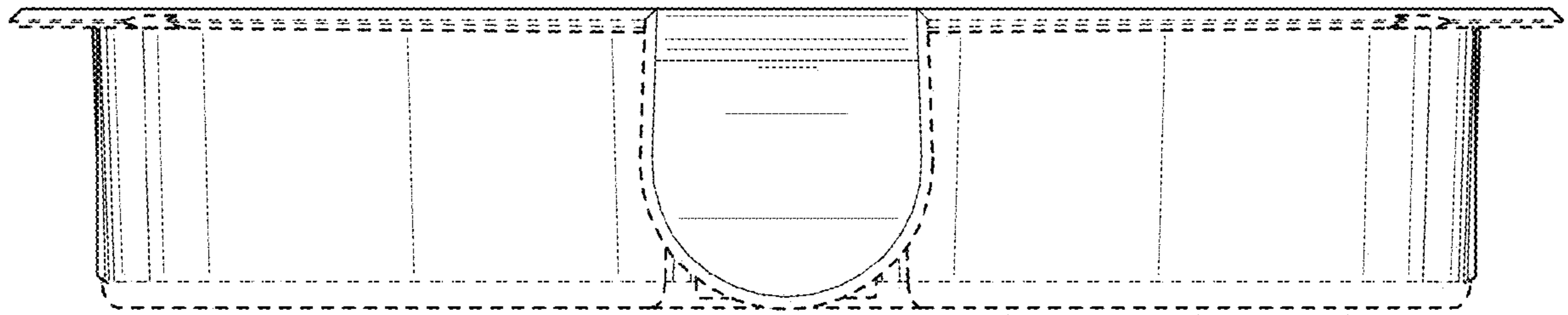


FIG. 6

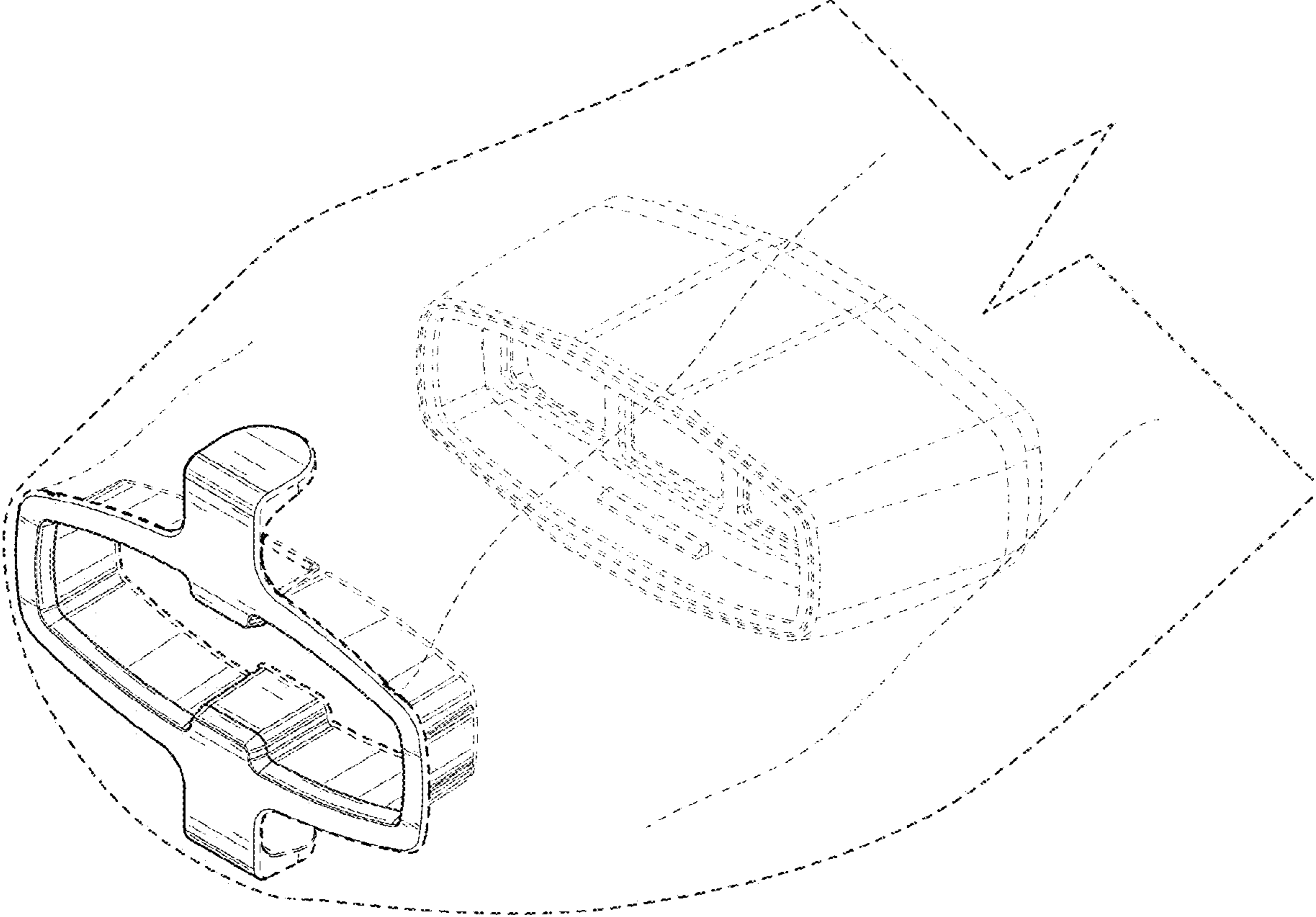


FIG. 7