



US00D919809S

(12) **United States Design Patent**
Zhang et al.

(10) **Patent No.:** **US D919,809 S**
(45) **Date of Patent:** **** May 18, 2021**

(54) **CEILING-MOUNT CAMERA**

(71) Applicant: **GE Precision Healthcare LLC**,
Milwaukee, WI (US)

(72) Inventors: **Wei Zhang**, Beijing (CN); **Jun Hou**,
Shanghai (CN)

(73) Assignee: **GE PRECISION HEALTHCARE**
LLC, Milwaukee, WI (US)

(**) Term: **15 Years**

(21) Appl. No.: **29/698,210**

(22) Filed: **Jul. 15, 2019**

(51) **LOC (13) Cl.** **24-01**

(52) **U.S. Cl.**
USPC **D24/158**

(58) **Field of Classification Search**
USPC D24/107, 158–160, 185–187; D16/200,
D16/202, 206, 208, 219

(Continued)

(56) **References Cited**

U.S. PATENT DOCUMENTS

D554,257 S * 10/2007 Ogiwara D24/158
D628,296 S * 11/2010 Hoshino D24/158

(Continued)

OTHER PUBLICATIONS

Zhang, W. et al., “An Ornamental Design for an Imaging Apparatus,” U.S. Appl. No. 29/698,208, filed Jul. 15, 2019, 19 pages.

(Continued)

Primary Examiner — Anhdao Doan

(74) *Attorney, Agent, or Firm* — McCoy Russell LLP

(57) **CLAIM**

The ornamental design for a ceiling-mount camera, as shown and described.

DESCRIPTION

FIG. 1 is a rear-right perspective view of a ceiling-mount camera according to a first embodiment of the claimed design.

FIG. 2 is a front-left perspective view of the ceiling-mount camera of FIG. 1.

FIG. 3 is a front view of the ceiling-mount camera of FIG. 1.

FIG. 4 is a rear view of the ceiling-mount camera of FIG. 1.

FIG. 5 is a left side view of the ceiling-mount camera of FIG. 1.

FIG. 6 is a right side view of the ceiling-mount camera of FIG. 1.

FIG. 7 is a bottom view of the ceiling-mount camera of FIG. 1.

FIG. 8 is a top view of the ceiling-mount camera of FIG. 1.

FIG. 9 is a rear-right perspective view of a ceiling-mount camera according to a second embodiment of the claimed design.

FIG. 10 is a front-left perspective view of the ceiling-mount camera of FIG. 9.

FIG. 11 is a front view of the ceiling-mount camera of FIG. 9.

FIG. 12 is a rear view of the ceiling-mount camera of FIG. 9.

FIG. 13 is a left side view of the ceiling-mount camera of FIG. 9.

FIG. 14 is a right side view of the ceiling-mount camera of FIG. 9.

FIG. 15 is a bottom view of the ceiling-mount camera of FIG. 9; and,

FIG. 16 is a top view of the ceiling-mount camera of FIG. 9.

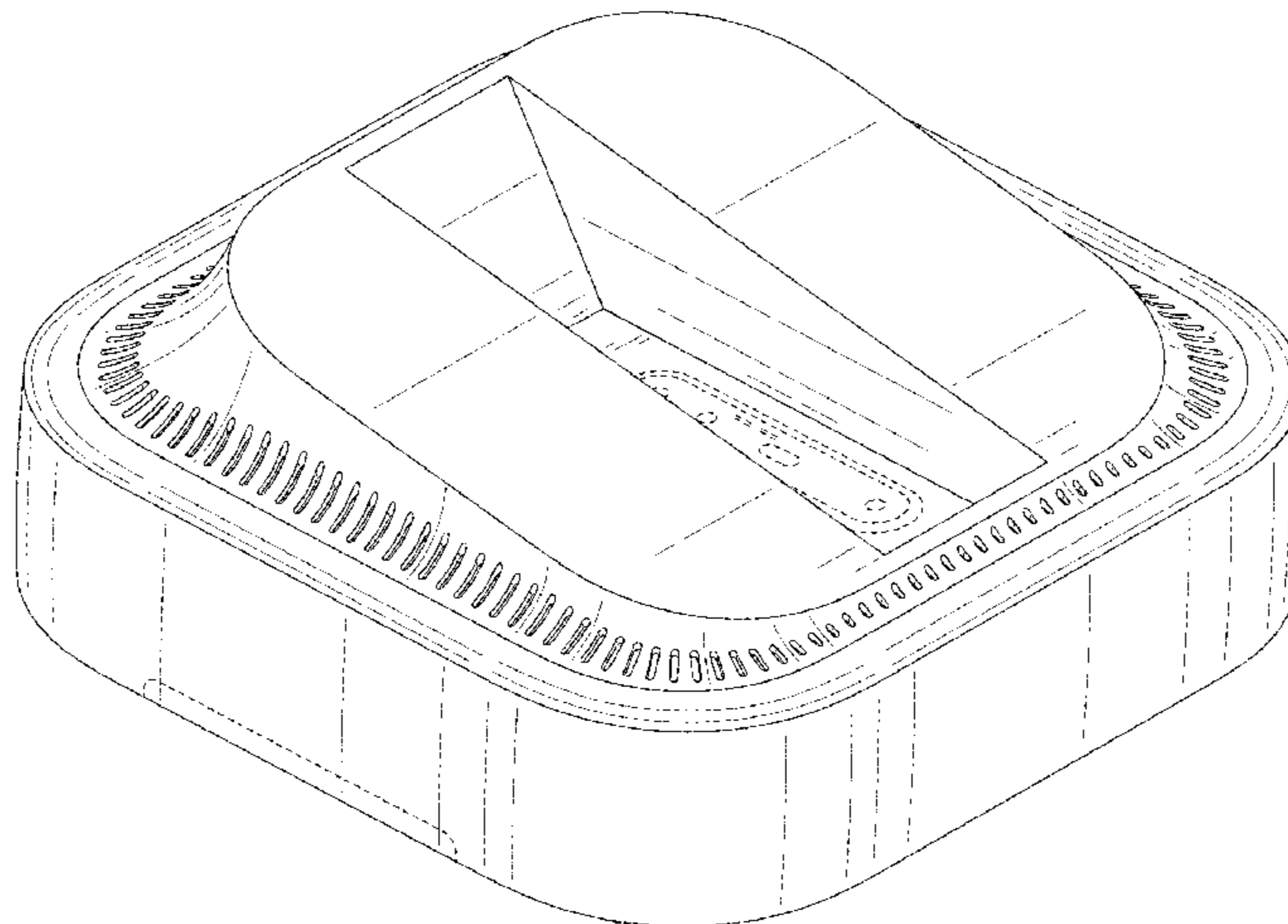
The broken lines in the drawings illustrate portions of the ceiling-mount camera that form no part of the claimed design. Interior portions of the ceiling-mount camera as viewed through the vent openings at the top and bottom of the ceiling-mount camera and as illustrated in broken lines in FIGS. 7 and 15 form no part of the claimed design.

The stipple shading in FIGS. 9-16 represents contrast in appearance, but any pattern formed by the stipple shading forms no part of the claimed design and no particular color is claimed.

The stipple shading in FIGS. 9-16 represents contrast in appearance, but any pattern formed by the stipple shading forms no part of the claimed design and no particular color is claimed.

The stipple shading in FIGS. 9-16 represents contrast in appearance, but any pattern formed by the stipple shading forms no part of the claimed design and no particular color is claimed.

1 Claim, 16 Drawing Sheets



(58) **Field of Classification Search**

CPC A61B 5/055; G01N 2223/1016; G01N
2223/301; G01N 2223/031; G01N
2223/419; G01N 23/046; G01R 33/48
See application file for complete search history.

(56) **References Cited**

U.S. PATENT DOCUMENTS

D681,814	S	*	5/2013	Nenoki	D24/158
D748,798	S	*	2/2016	Ohmukai	D24/158
D757,271	S	*	5/2016	Lecuyer	D24/158
D793,557	S	*	8/2017	Thoma	D24/158
D872,270	S	*	1/2020	Horndler	D24/158
D876,515	S	*	2/2020	Collryd	D16/219
D876,519	S	*	2/2020	Yannay	D16/218
D884,707	S	*	5/2020	Zhang	D14/434
2010/0215152	A1	*	8/2010	Takahashi	A61B 6/587 378/197
2018/0108447	A1	*	4/2018	Turner	A61B 6/4452
2018/0192976	A1	*	7/2018	Naylor	A61B 6/5235

OTHER PUBLICATIONS

Zhang, W. et al., "An Ornamental Design for an Imaging Apparatus," U.S. Appl. No. 29/698,209, filed Jul. 15, 2019, 18 pages.

* cited by examiner

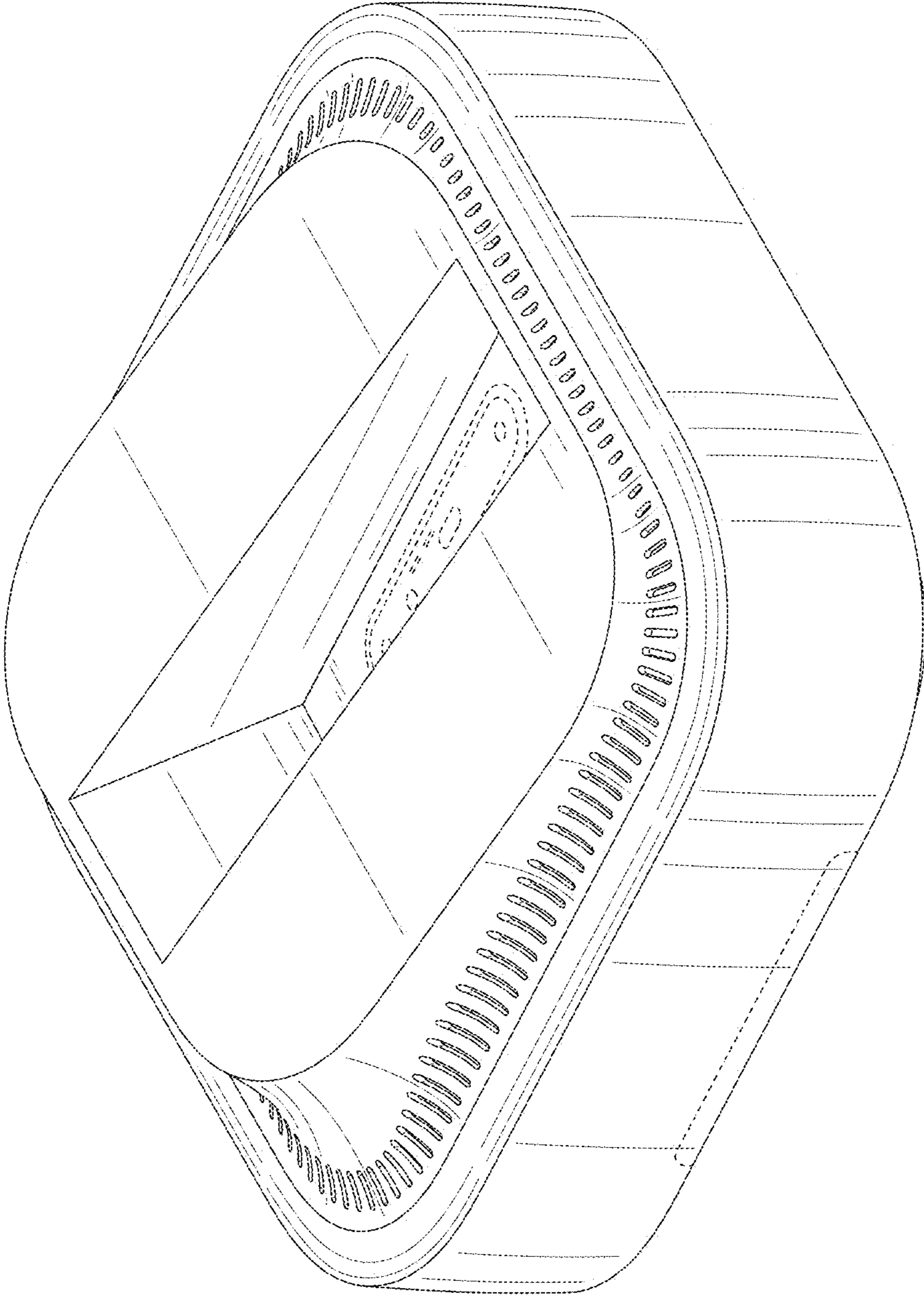


FIG. 1

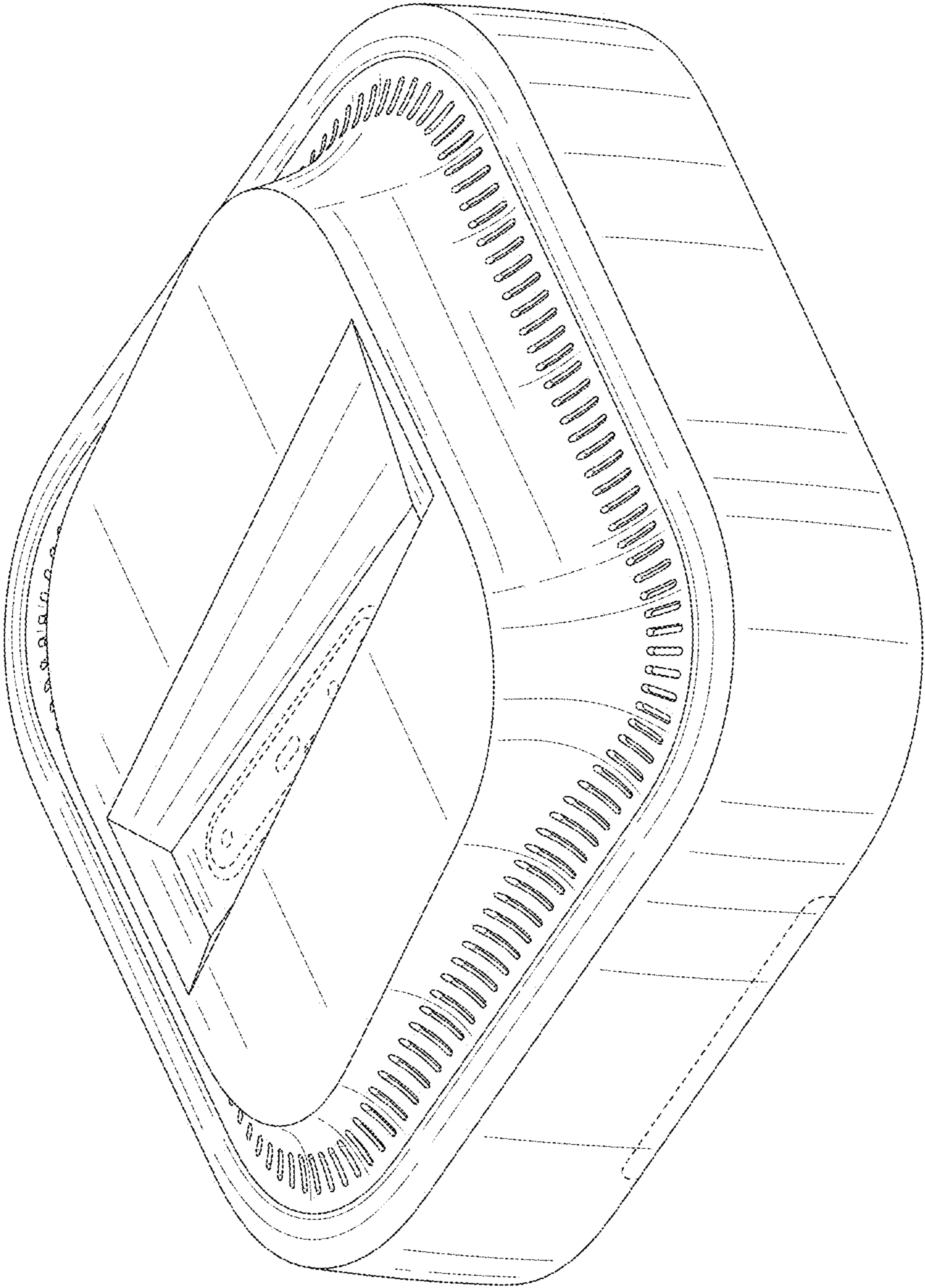


FIG. 2

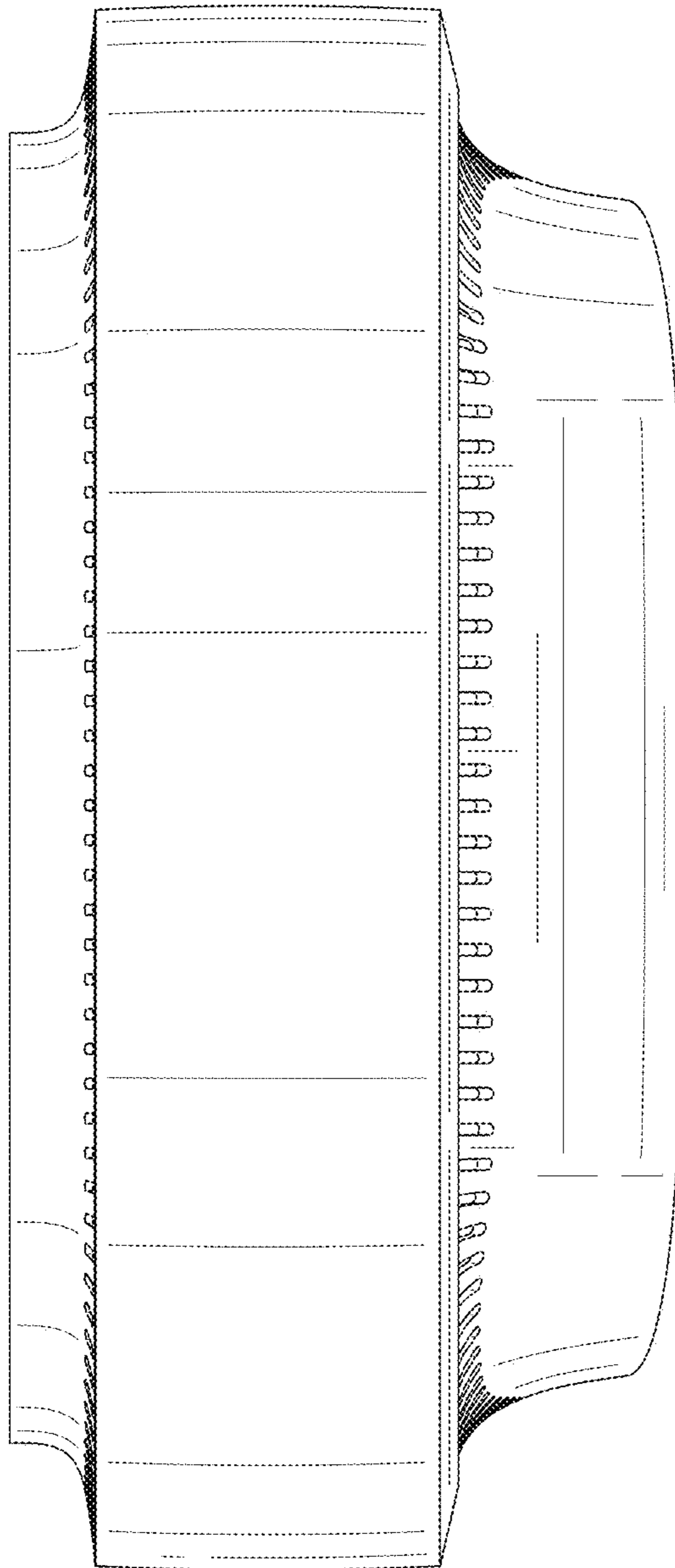


FIG. 3

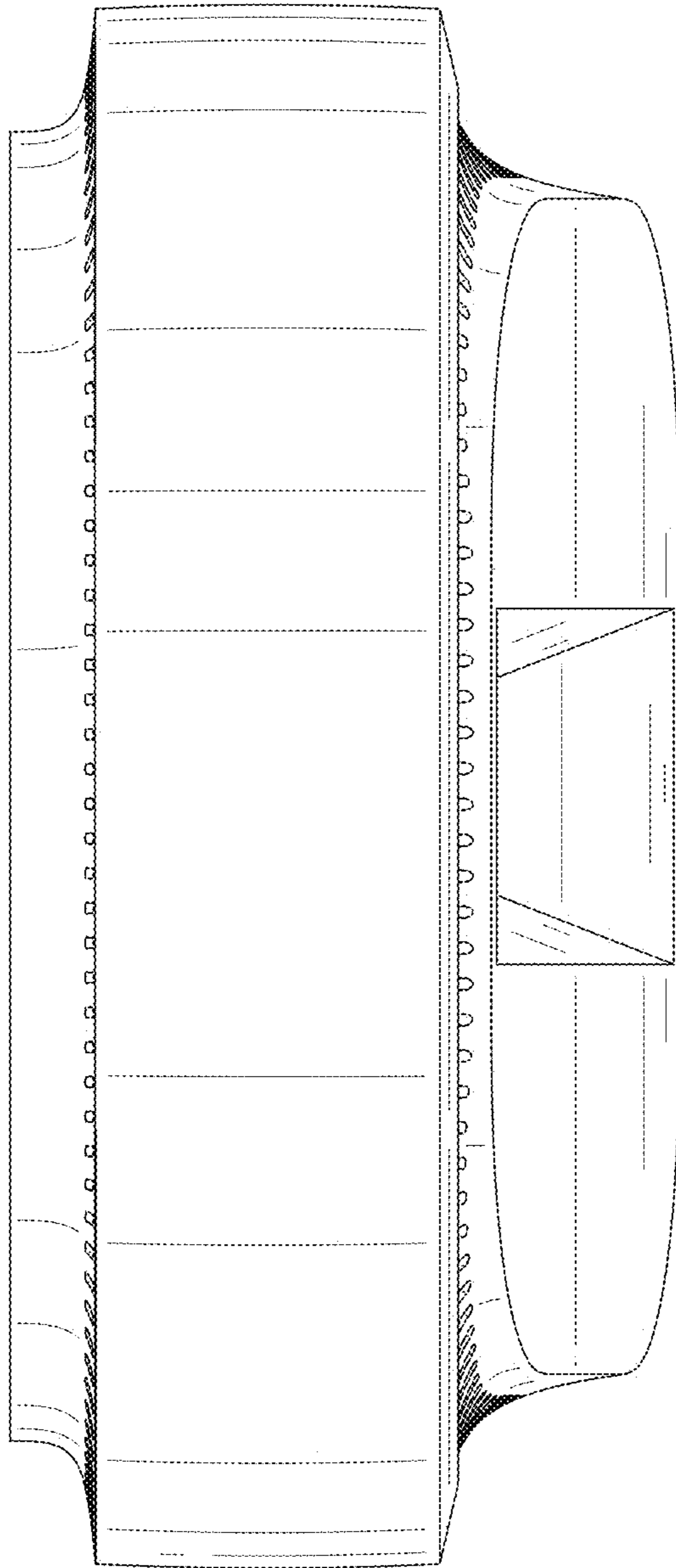


FIG. 4

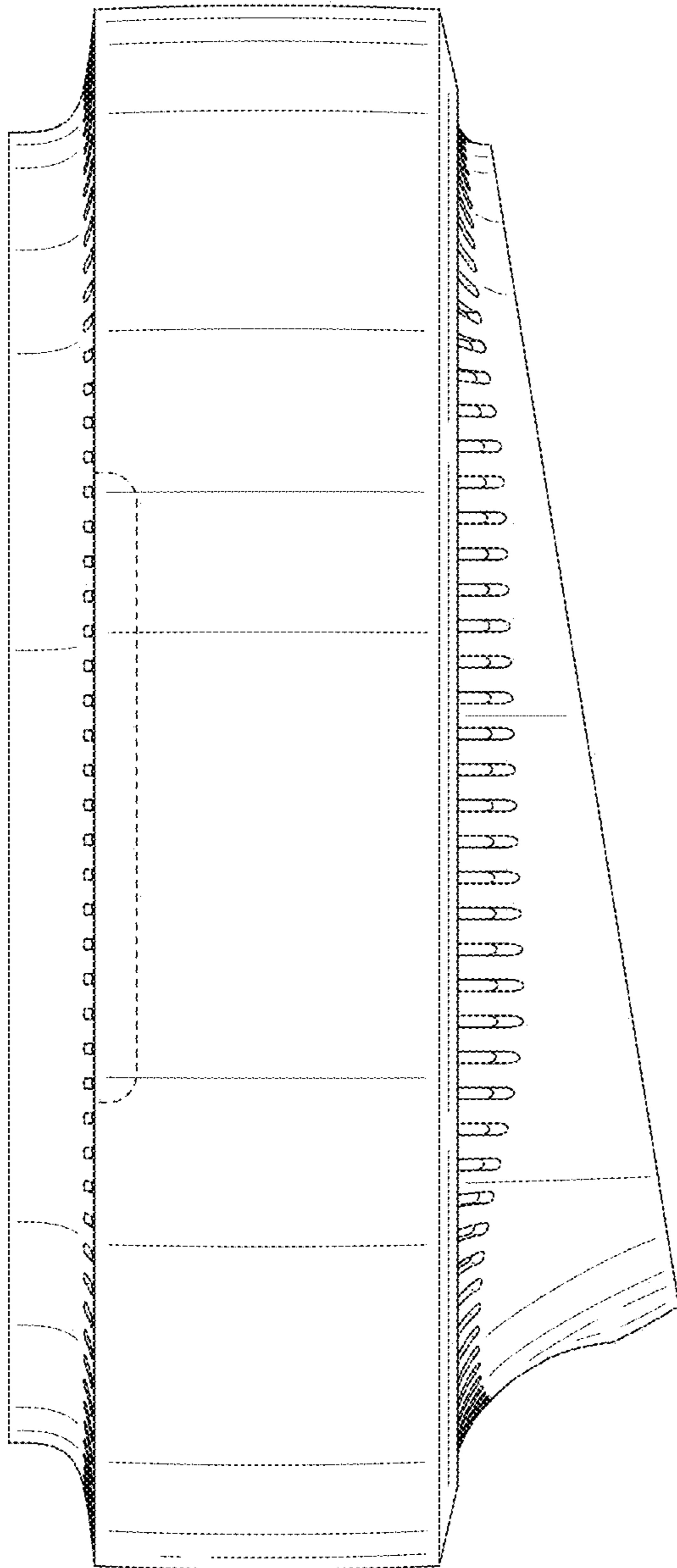


FIG. 5

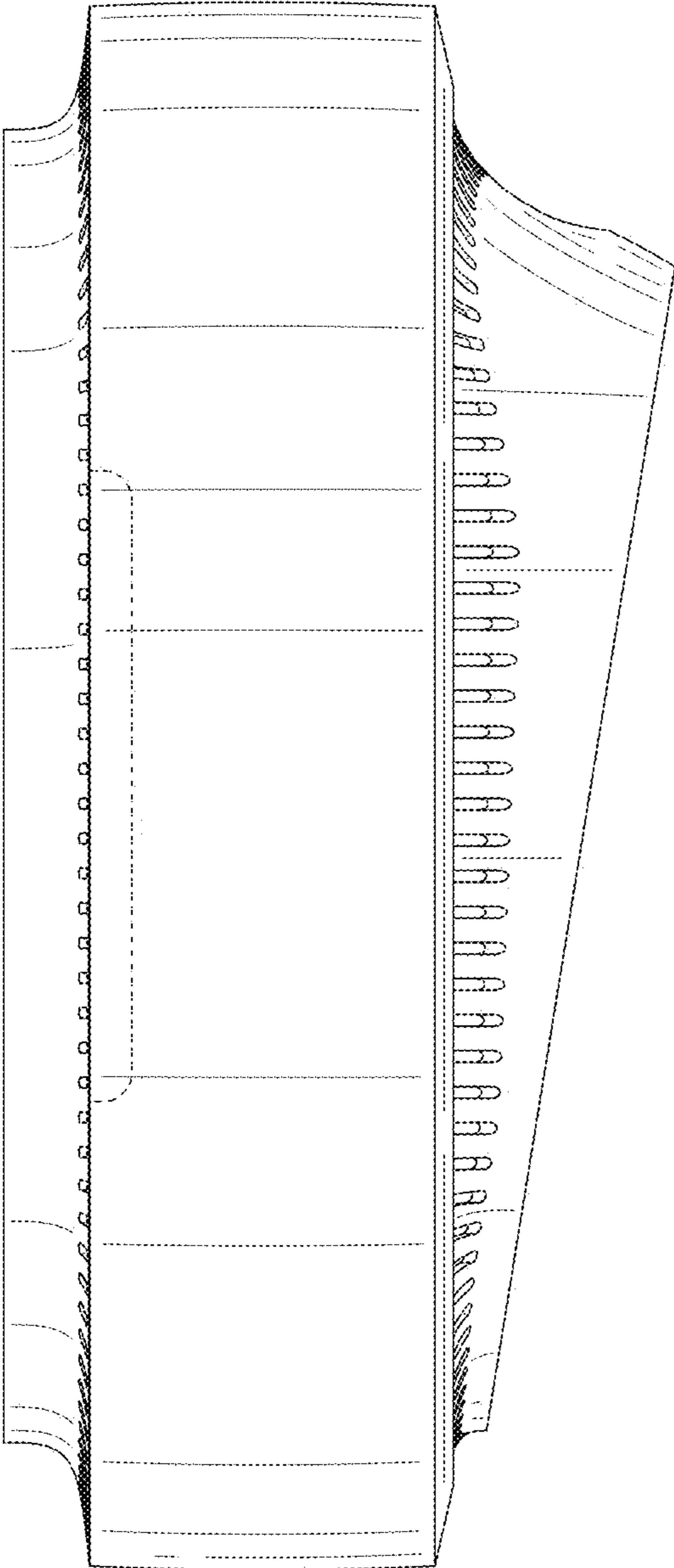


FIG. 6

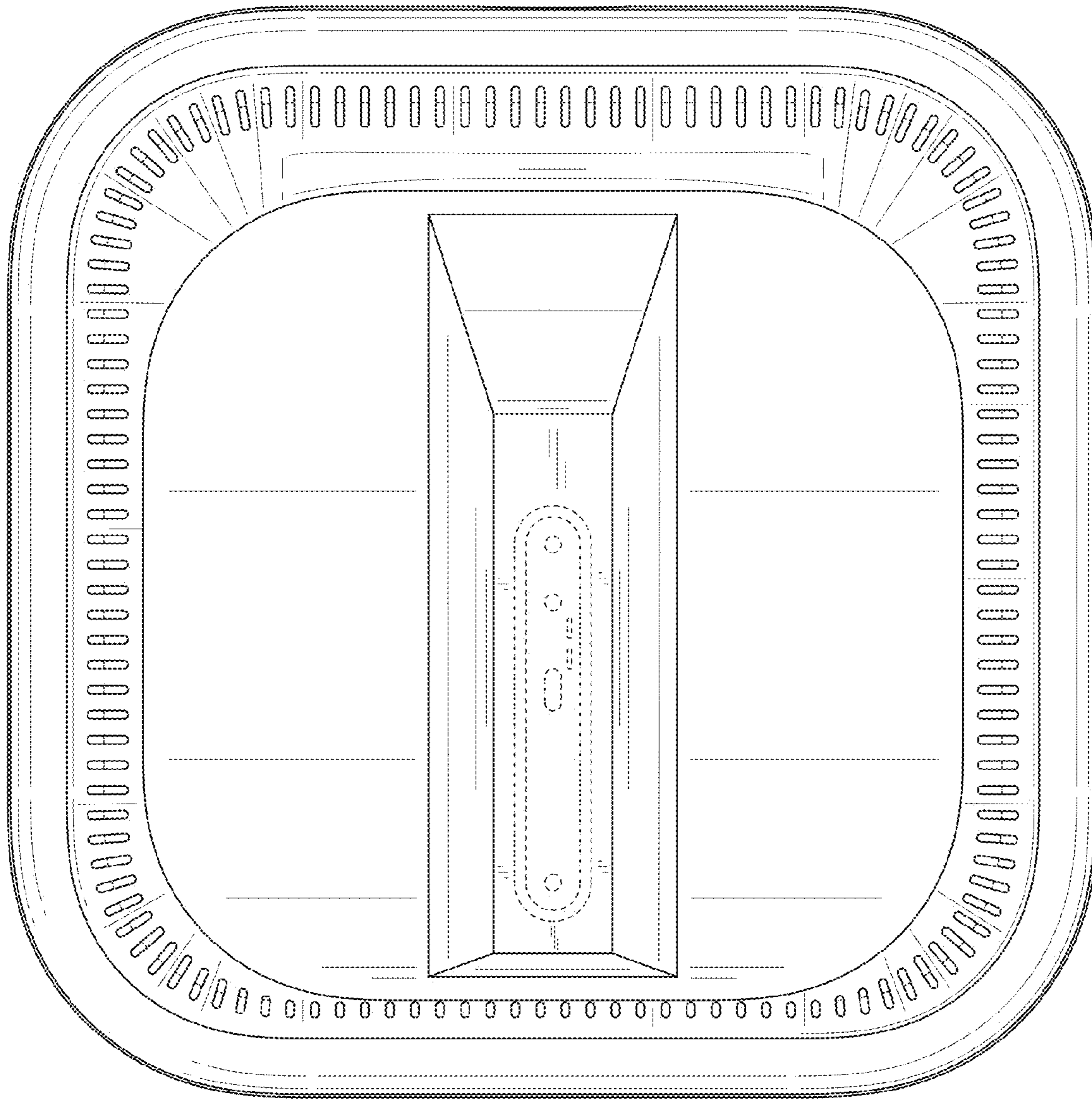


FIG. 7

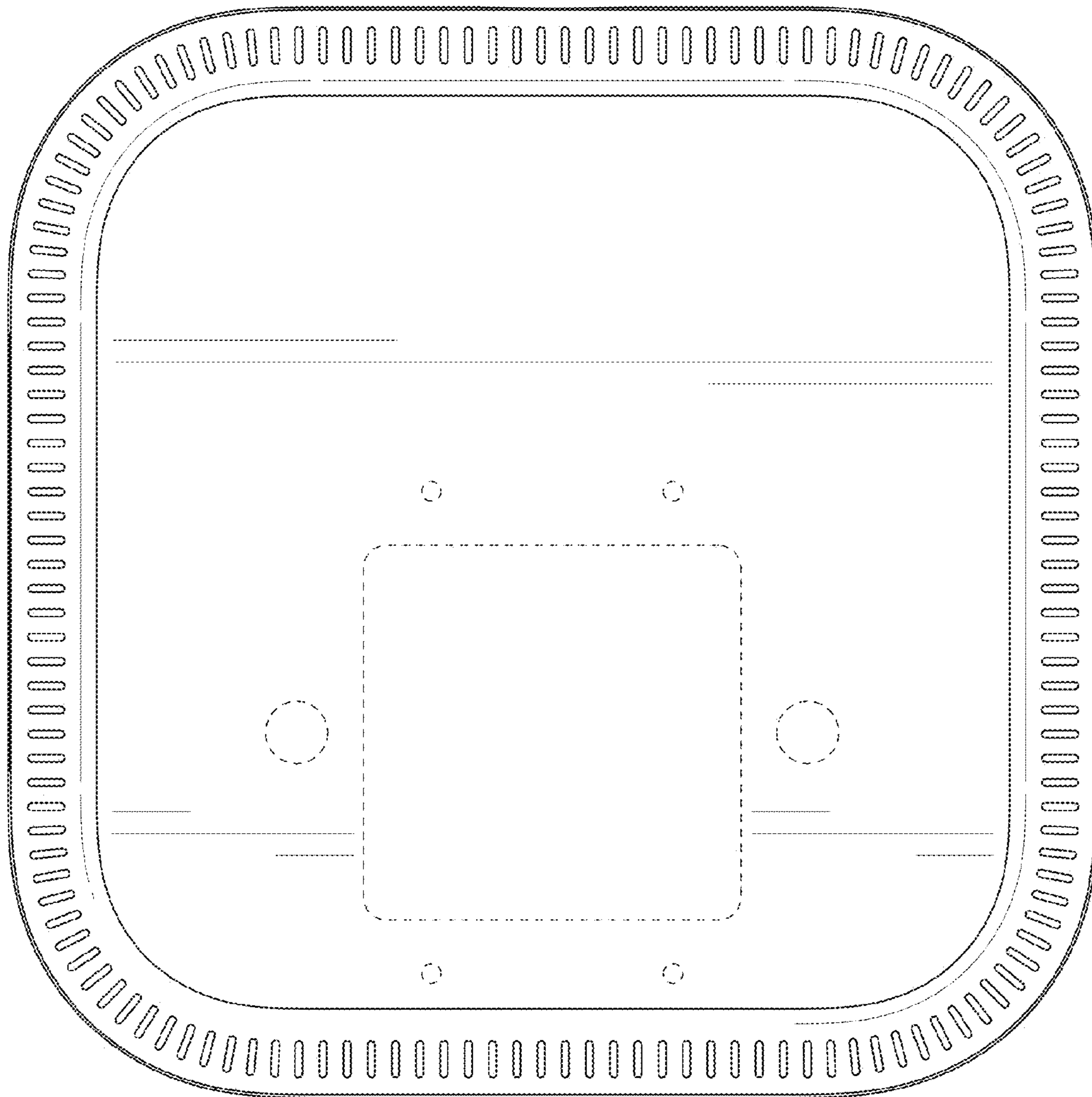


FIG. 8

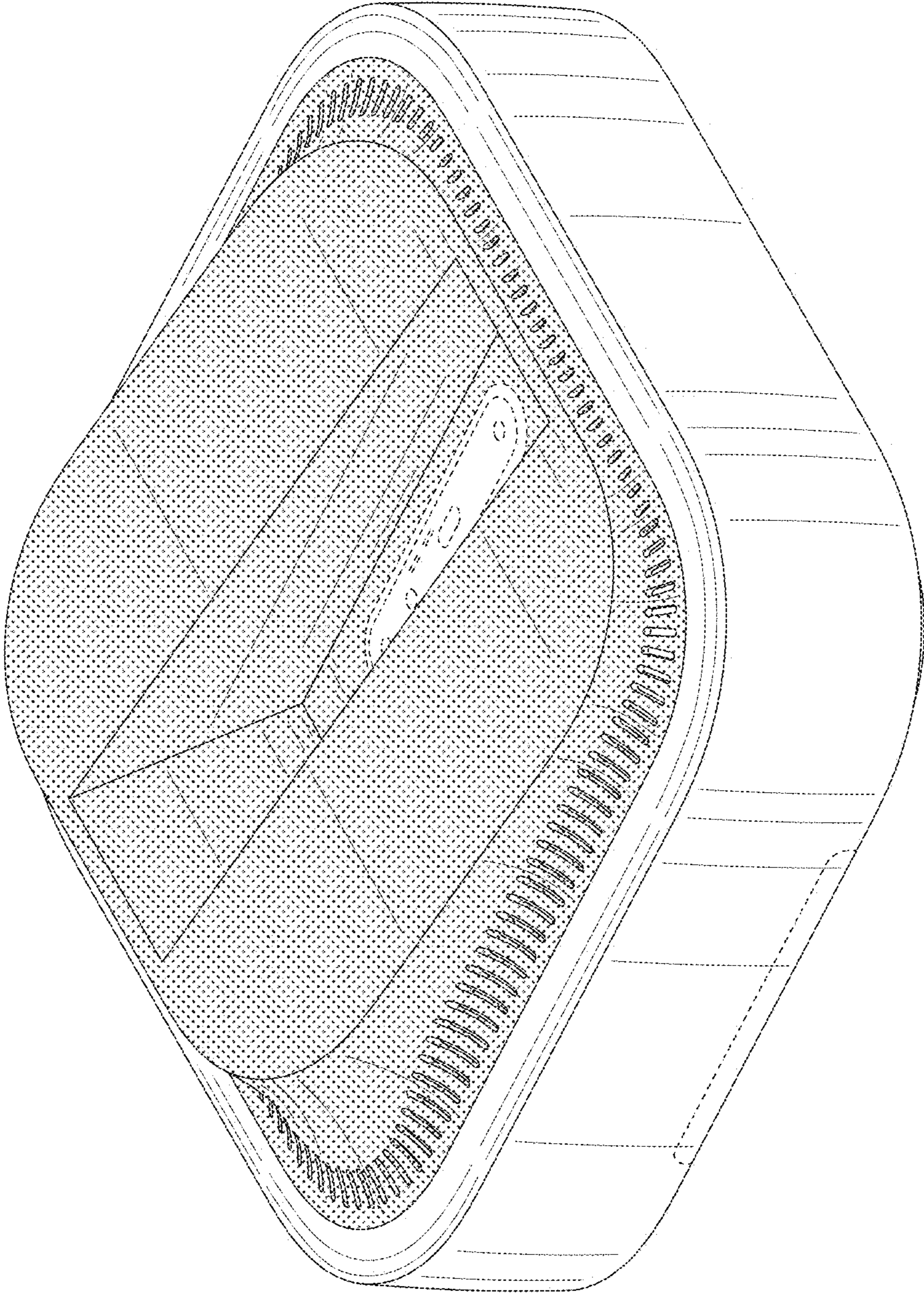


FIG. 9

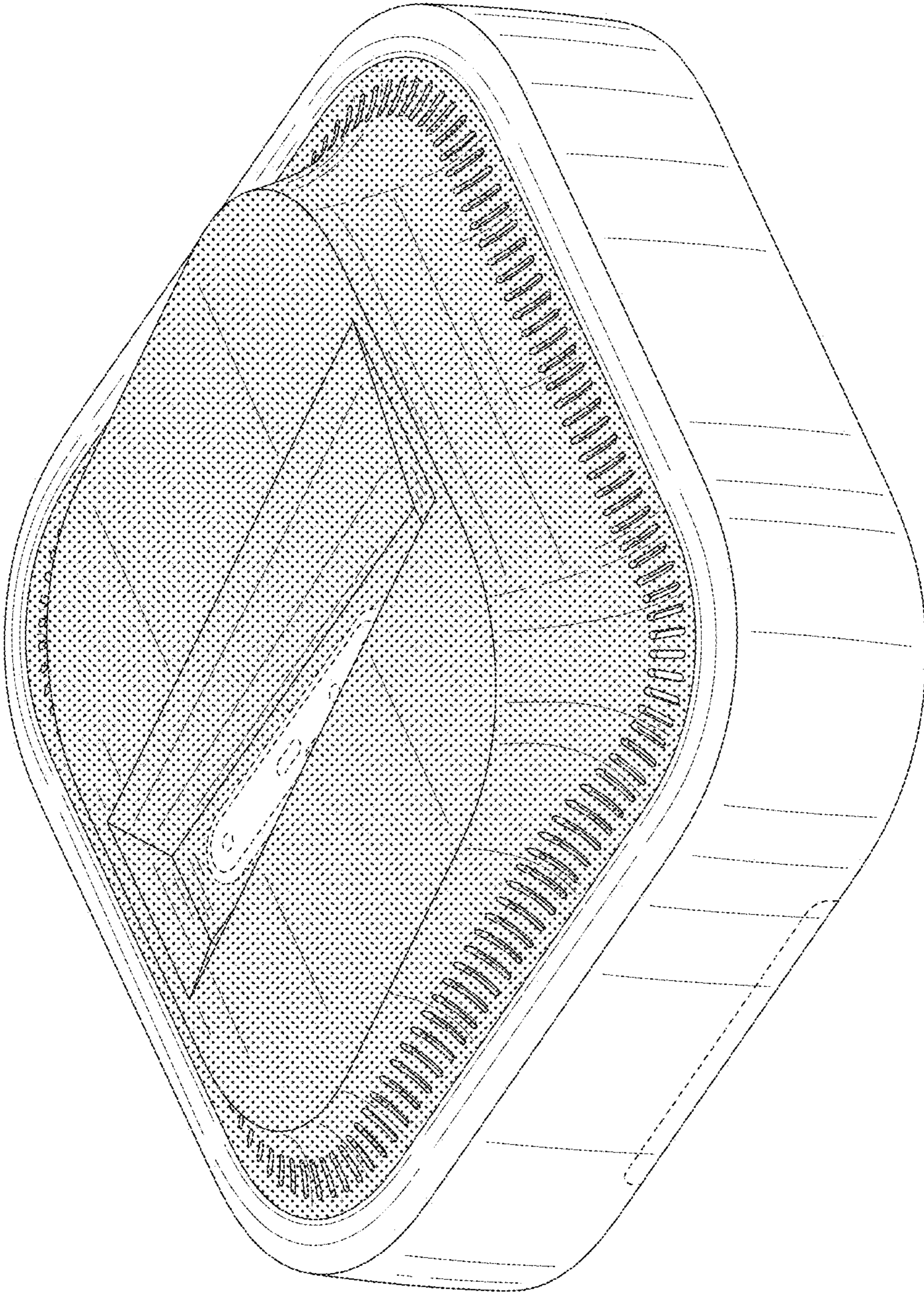


FIG. 10

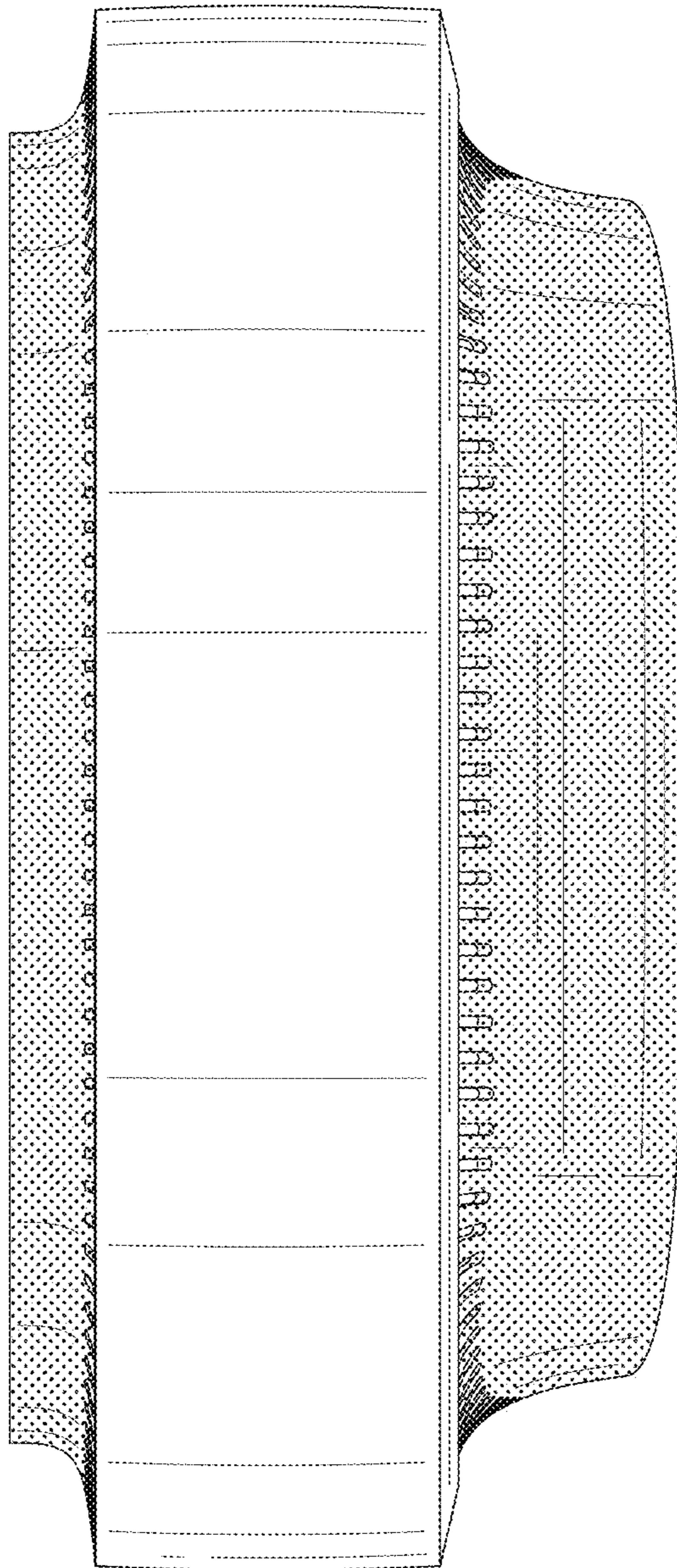


FIG. 11

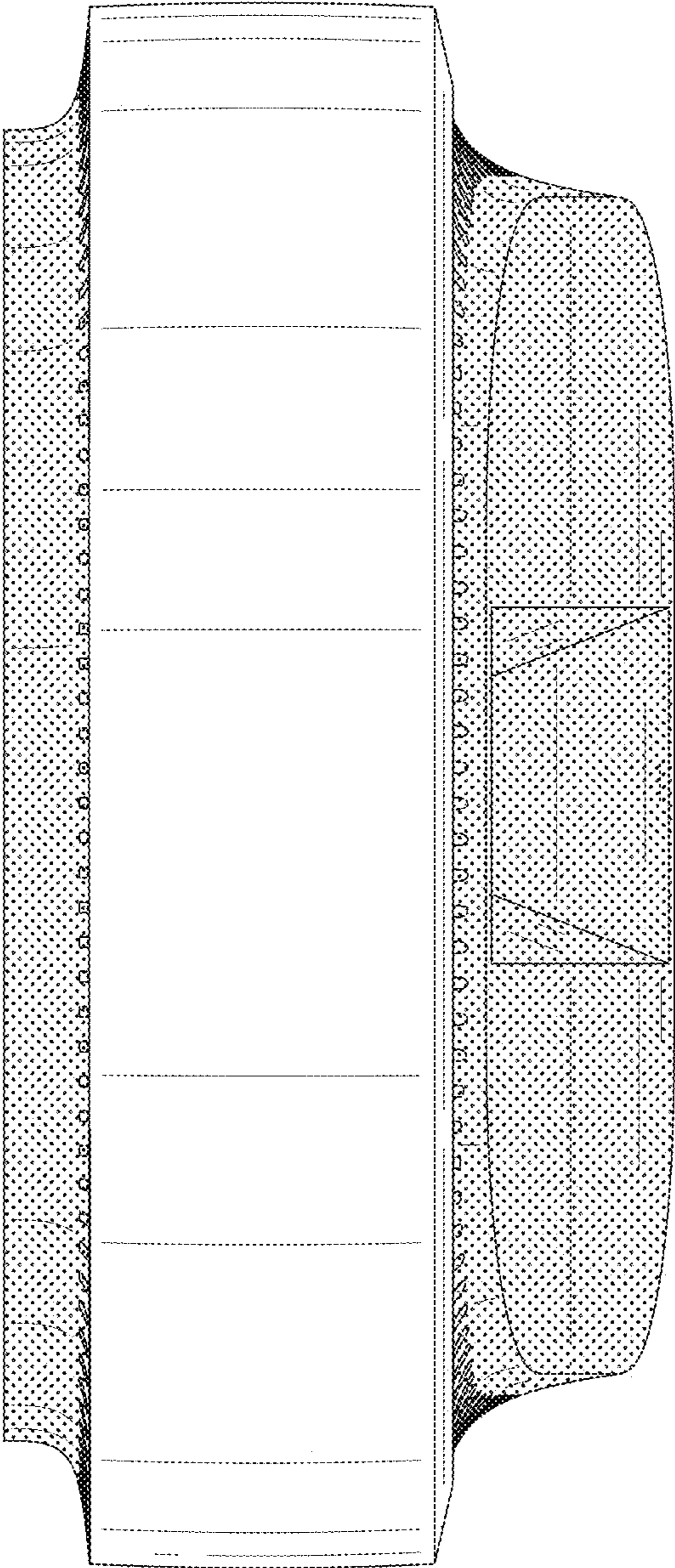


FIG. 12

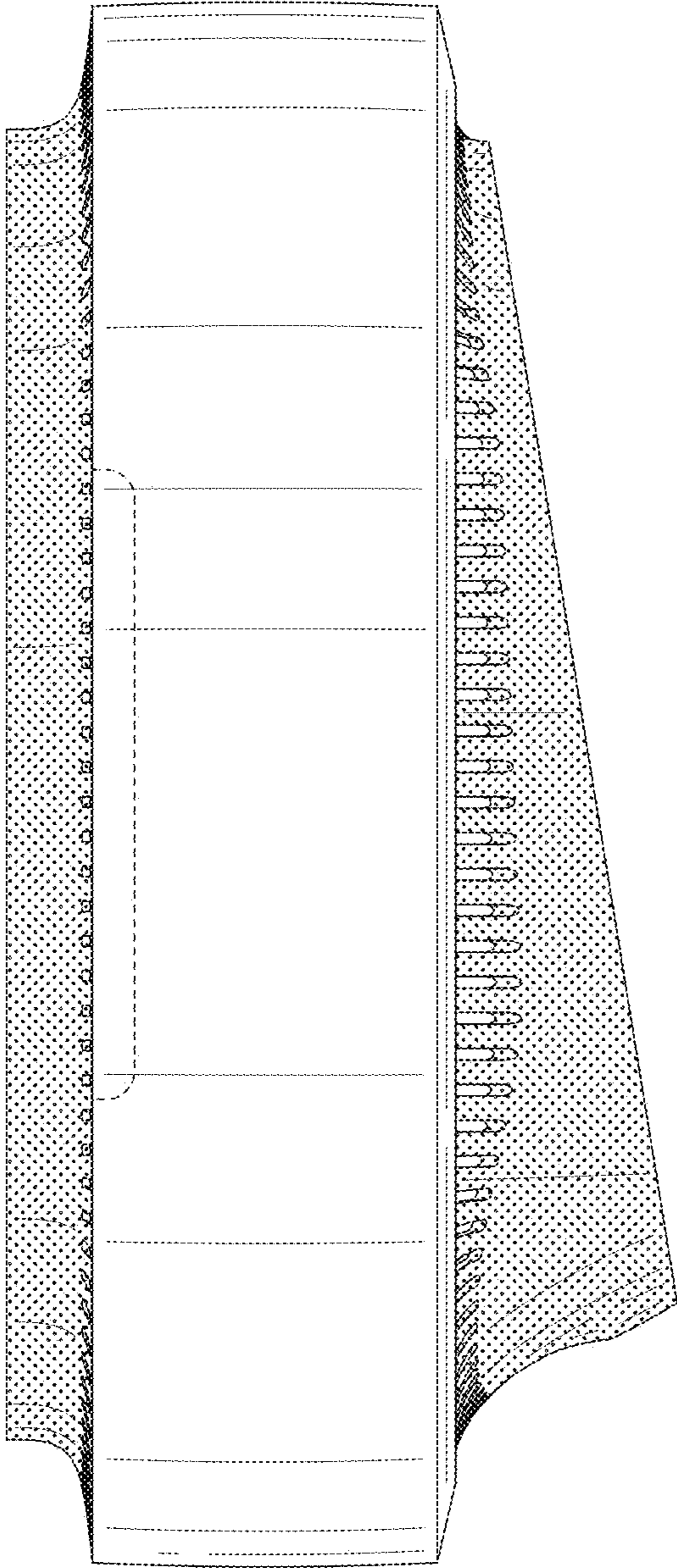


FIG. 13

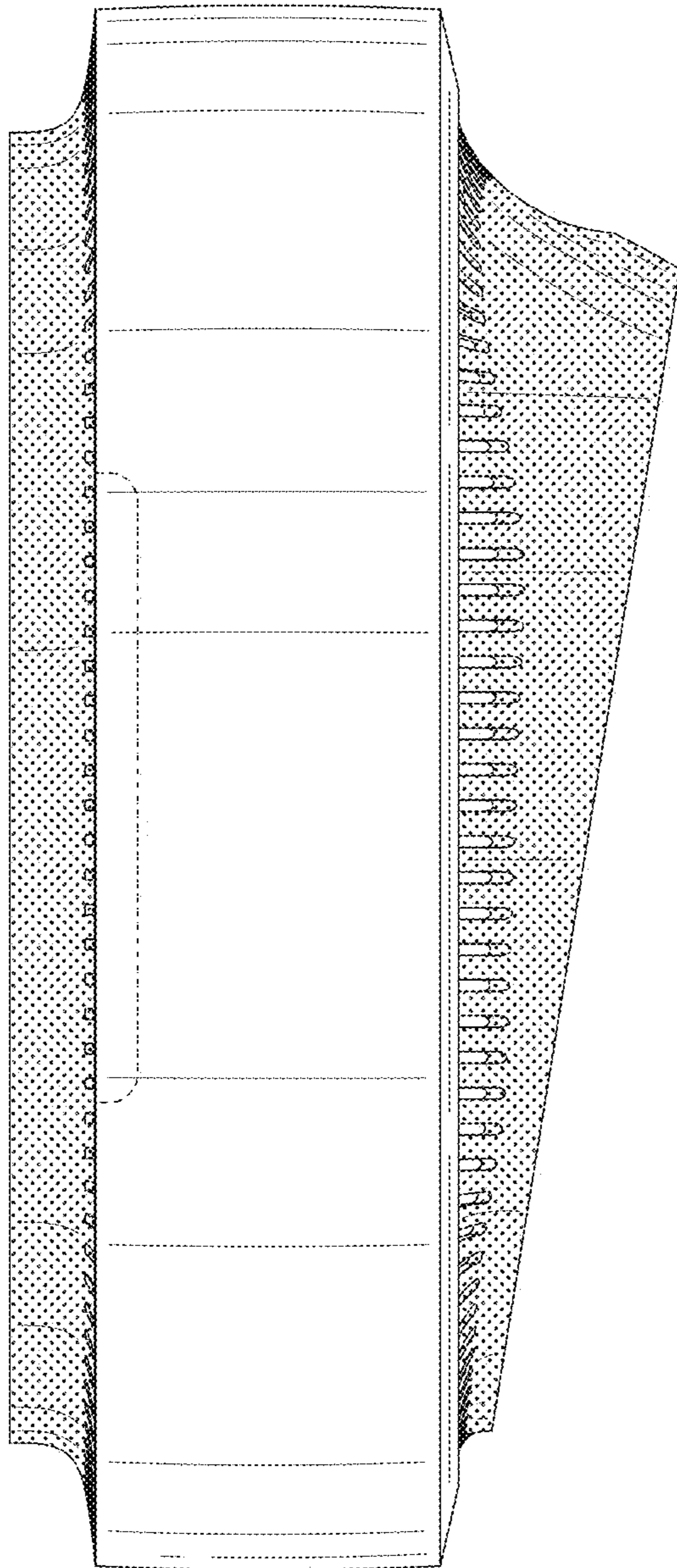


FIG. 14

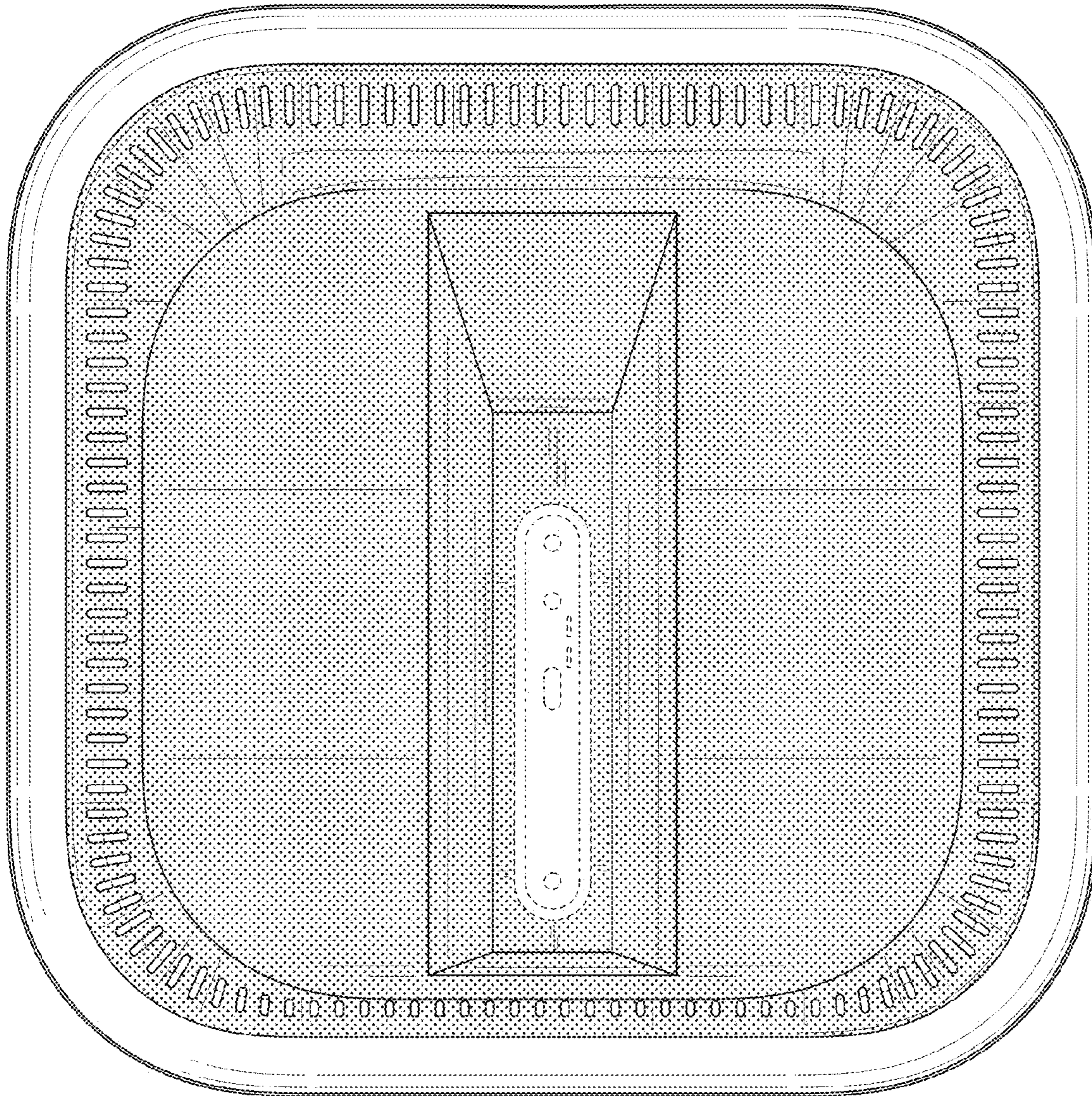


FIG. 15

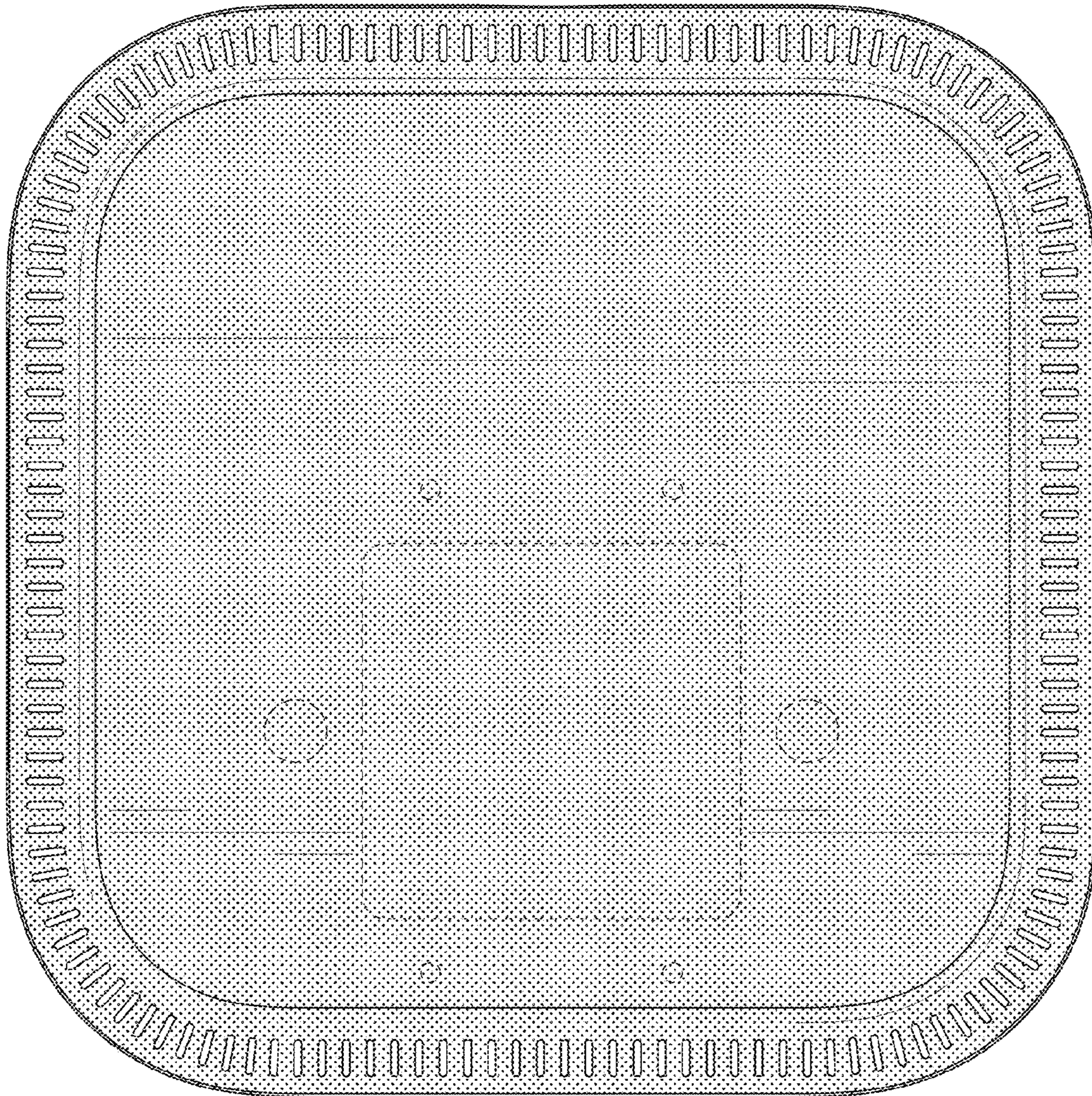


FIG. 16