



US00D919808S

(12) **United States Design Patent**  
**Zhang et al.**

(10) **Patent No.:** **US D919,808 S**

(45) **Date of Patent:** **\*\* May 18, 2021**

(54) **IMAGING APPARATUS**

(71) Applicant: **GE Precision Healthcare LLC**,  
Milwaukee, WI (US)

(72) Inventors: **Wei Zhang**, Beijing (CN); **Jun Hou**,  
Shanghai (CN)

(73) Assignee: **GE PRECISION HEALTHCARE**  
**LLC**, Milwaukee, WI (US)

(\*\*) Term: **15 Years**

(21) Appl. No.: **29/698,208**

(22) Filed: **Jul. 15, 2019**

(51) **LOC (13) Cl.** ..... **24-01**

(52) **U.S. Cl.**  
USPC ..... **D24/158**

(58) **Field of Classification Search**  
USPC ..... D24/107, 158–160, 185–187  
(Continued)

(56) **References Cited**

**U.S. PATENT DOCUMENTS**

D417,734 S \* 12/1999 Benders ..... D24/158  
D715,444 S \* 10/2014 Zhi ..... D24/159  
(Continued)

**OTHER PUBLICATIONS**

Revolution™ Maxima | GE Healthcare | GE Healthcare. Retrived  
on Jan. 15, 2021. No available posting date.\*  
(Continued)

*Primary Examiner* — Anhdao Doan

(74) *Attorney, Agent, or Firm* — McCoy Russell LLP

(57) **CLAIM**

The ornamental design for an imaging apparatus, as shown  
and described.

**DESCRIPTION**

FIG. 1 is a front-left perspective view of an imaging  
apparatus according to a first embodiment of the claimed  
design.

FIG. 2 is a rear-right perspective view of the imaging  
apparatus of FIG. 1.

FIG. 3 is a rear view of the imaging apparatus of FIG. 1.

FIG. 4 is a front view of the imaging apparatus of FIG. 1.

FIG. 5 is a left side view of the imaging apparatus of FIG.  
1.

FIG. 6 is a right side view of the imaging apparatus of FIG.  
1.

FIG. 7 is a top view of the imaging apparatus of FIG. 1.

FIG. 8 is a bottom view of the imaging apparatus of FIG. 1.

FIG. 9 is a front-left perspective view of an imaging  
apparatus according to a second embodiment of the claimed  
design.

FIG. 10 is a rear-right perspective view of the imaging  
apparatus of FIG. 9.

FIG. 11 is a rear view of the imaging apparatus of FIG. 9.

FIG. 12 is a front view of the imaging apparatus of FIG. 9.

FIG. 13 is a left side view of the imaging apparatus of FIG.  
9.

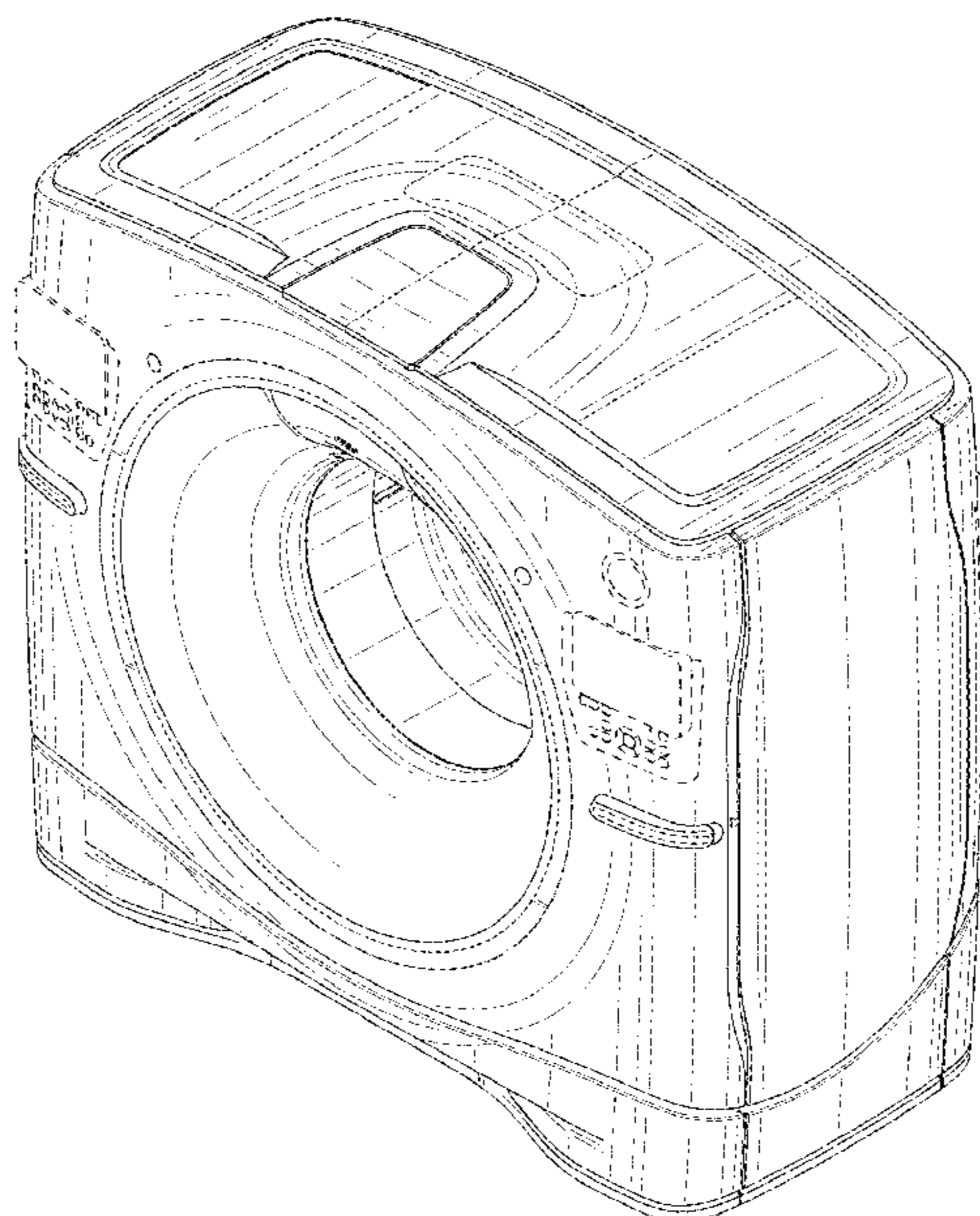
FIG. 14 is a right side view of the imaging apparatus of FIG.  
9.

FIG. 15 is a top view of the imaging apparatus of FIG. 9;  
and,

FIG. 16 is a bottom view of the imaging apparatus of FIG.  
9.

The broken lines in the drawings illustrate portions of the  
imaging apparatus that form no part of the claimed design.  
The stipple shading shown at the annular feature and light-  
ing features in figs. 9-10 and 12-14 represents contrast in  
appearance, but any pattern formed by the stipple shading  
forms no part of the claimed design, and no particular color  
is claimed.

**1 Claim, 16 Drawing Sheets**



(58) **Field of Classification Search**

CPC ..... A61B 5/055; G01N 2223/1016; G01N  
2223/301; G01N 2223/031; G01N  
2223/419; G01N 23/046; G01R 33/48  
See application file for complete search history.

(56) **References Cited**

U.S. PATENT DOCUMENTS

D725,275 S *	3/2015	Matsumura .....	D24/158
D753,828 S *	4/2016	Baba .....	D24/158
D849,949 S *	5/2019	Stalter .....	D24/158
D895,804 S *	9/2020	Zhuang .....	D24/158
D898,917 S *	10/2020	Stalter .....	D24/158

OTHER PUBLICATIONS

Zhang, W. et al., "An Ornamental Design for a Ceiling-Mount Camera," U.S. Appl. No. 29/698,210, filed Jul. 15, 2019, 19 pages.  
Zhang, W. et al., "An Ornamental Design for a Ceiling-Mount Camera," U.S. Appl. No. 29/698,209, filed Jul. 15, 2019, 19 pages.

\* cited by examiner

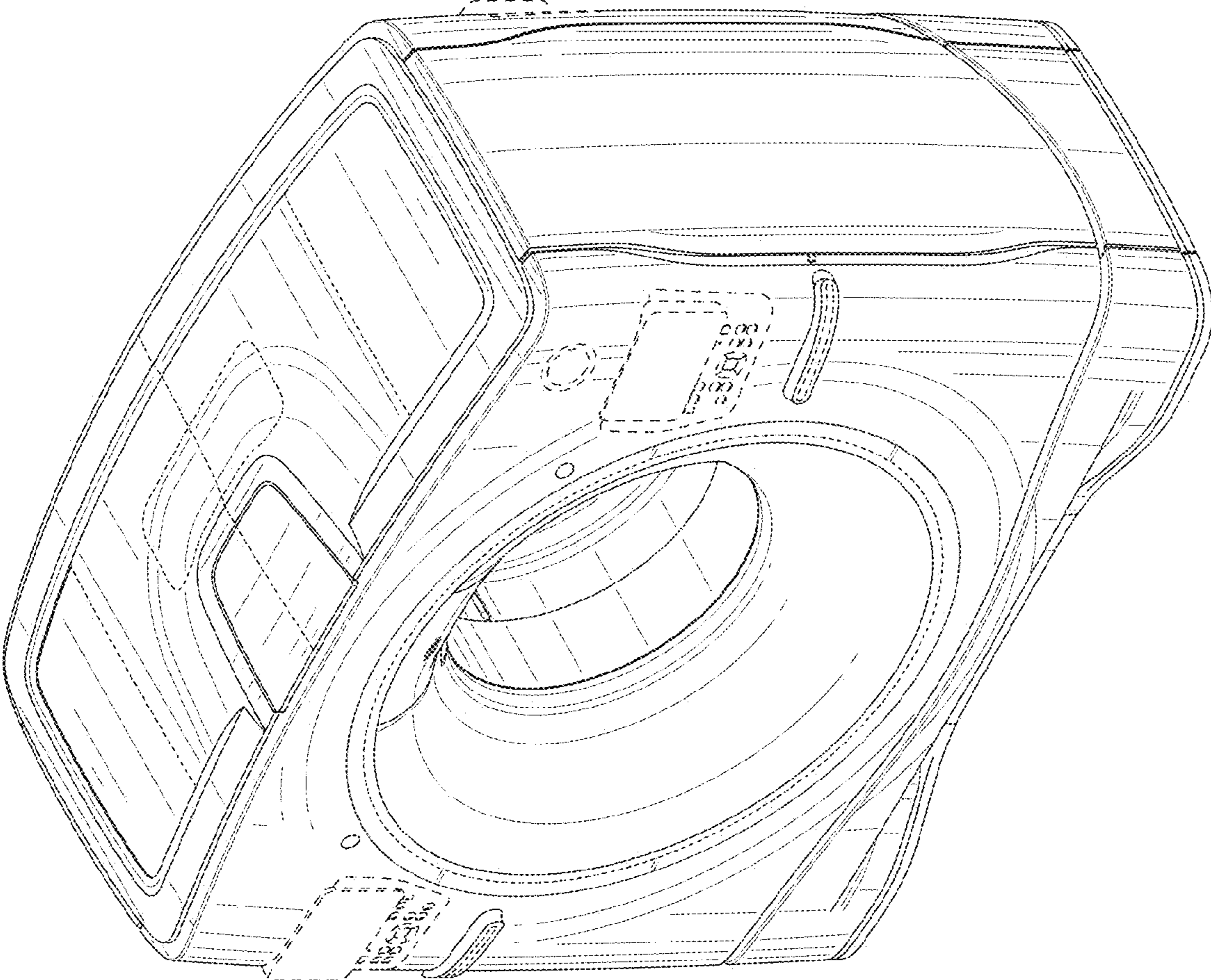


FIG. 1



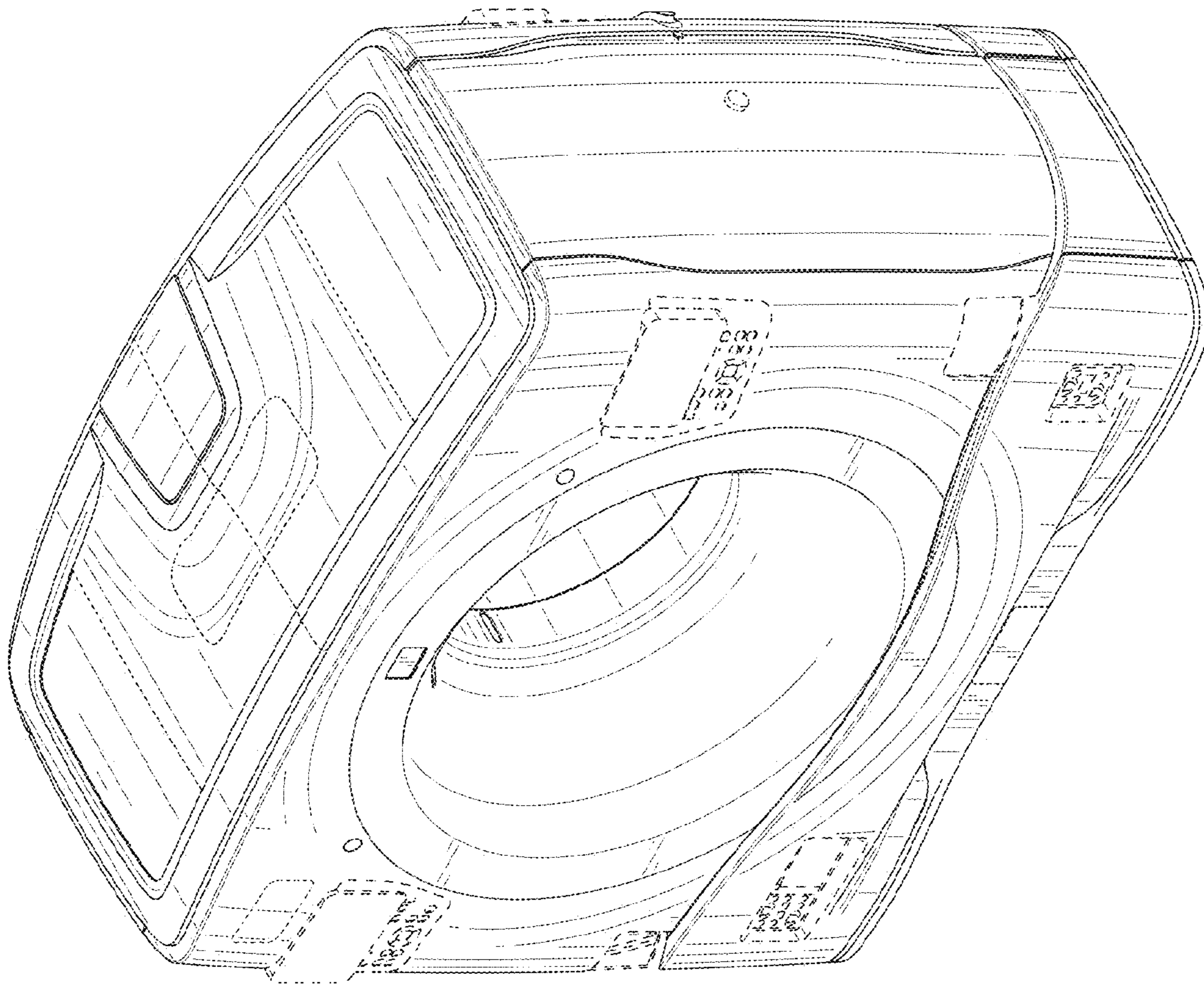


FIG. 2

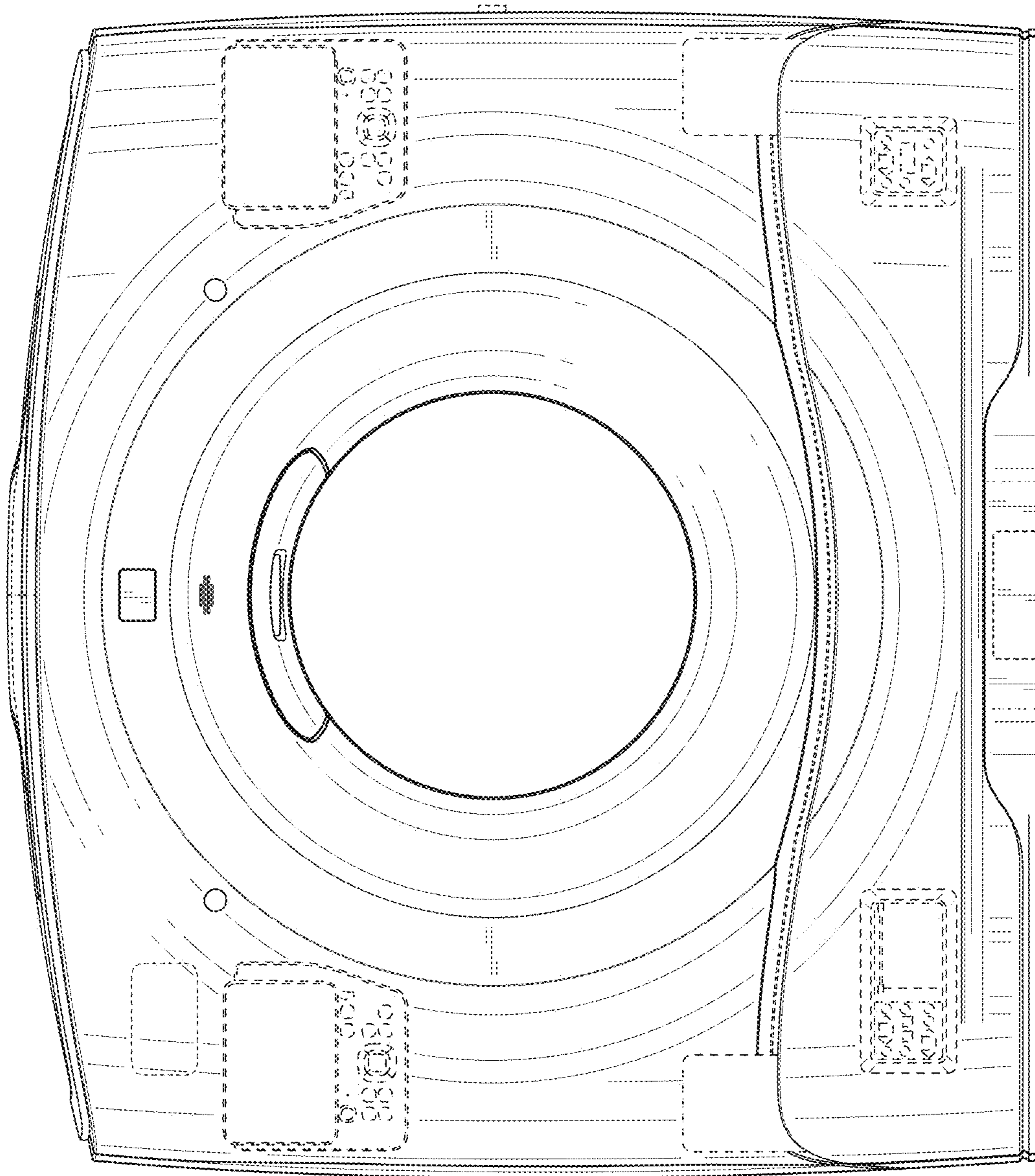


FIG. 3

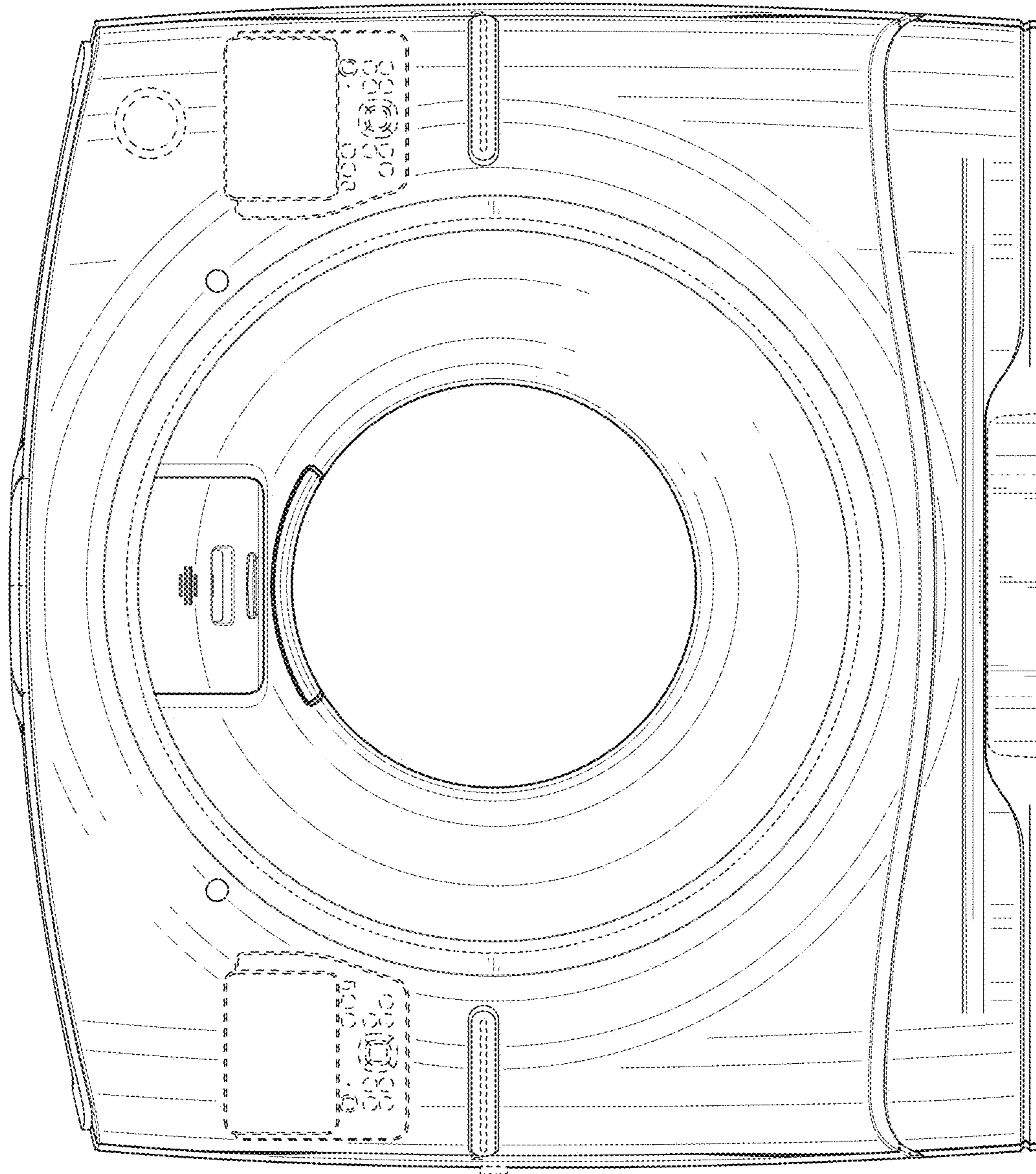


FIG. 4



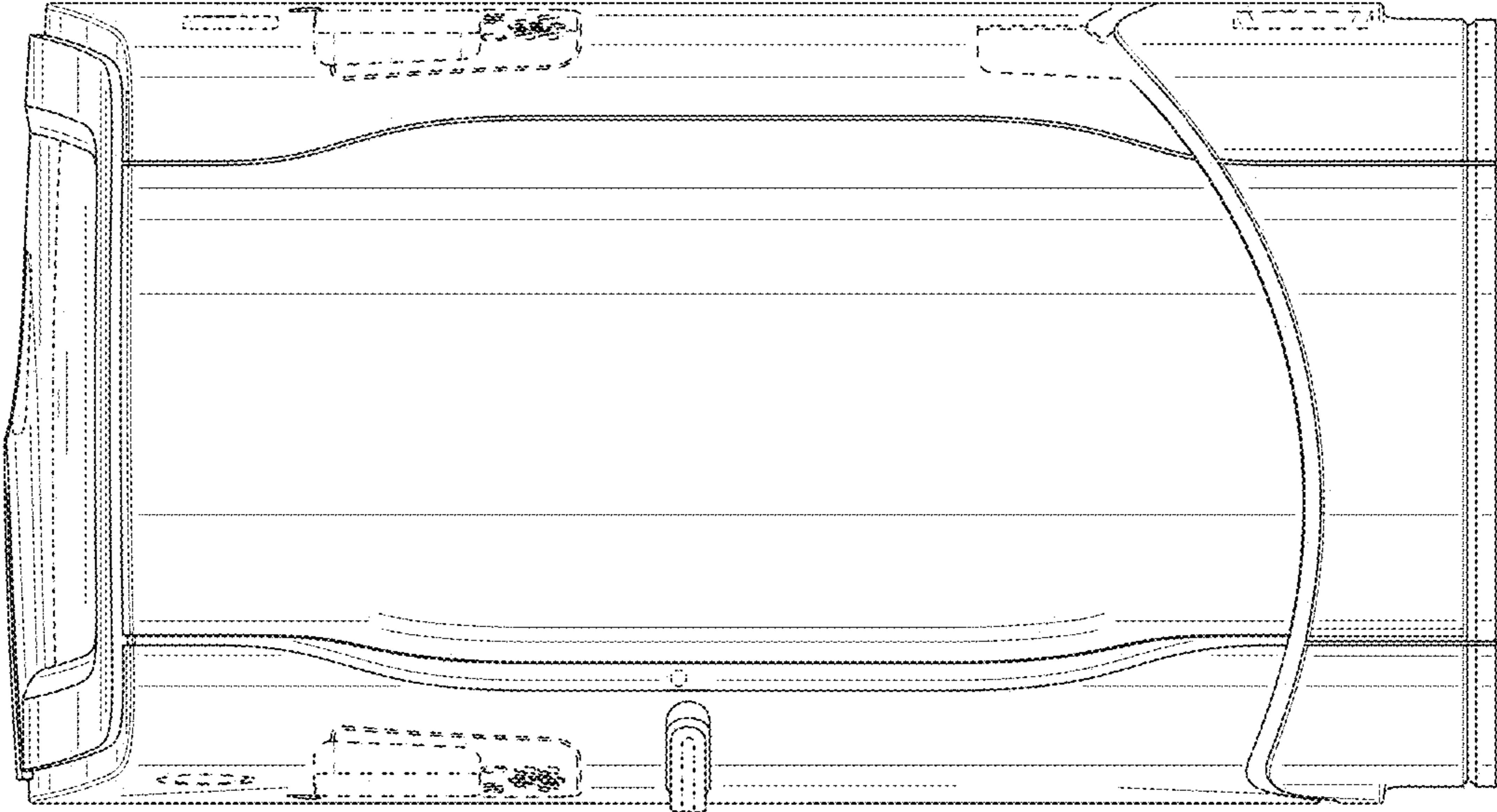


FIG. 5

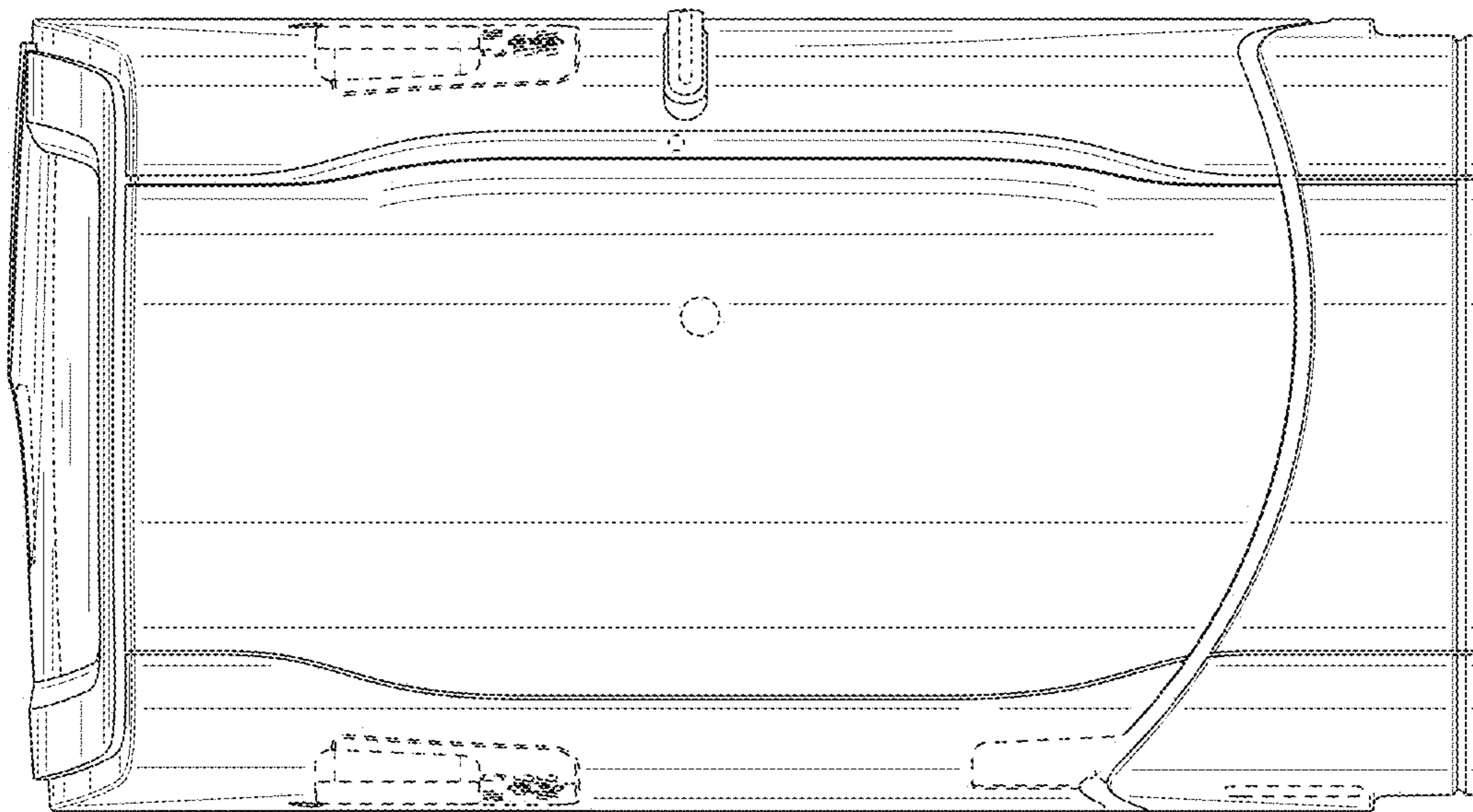


FIG. 6



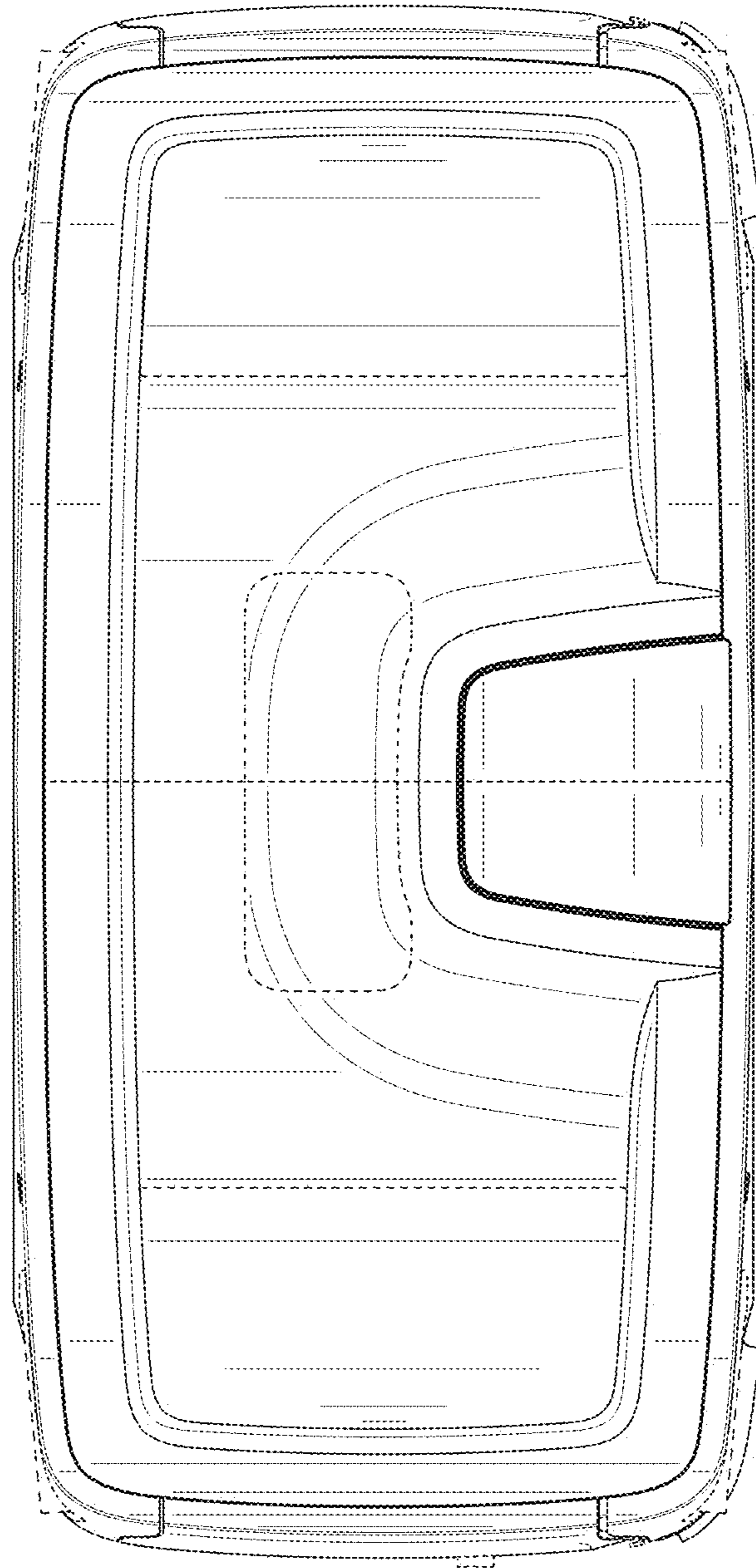


FIG. 7

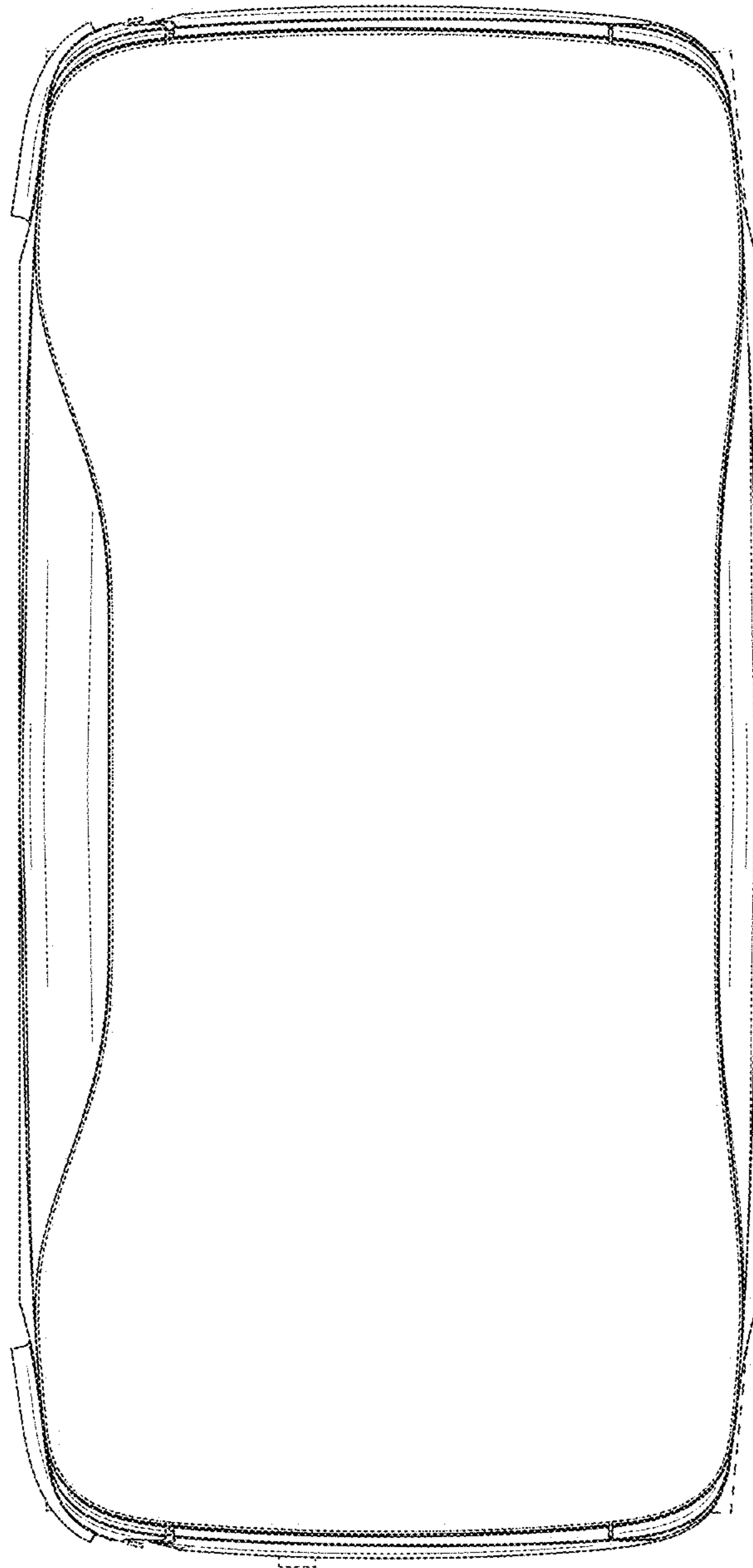


FIG. 8

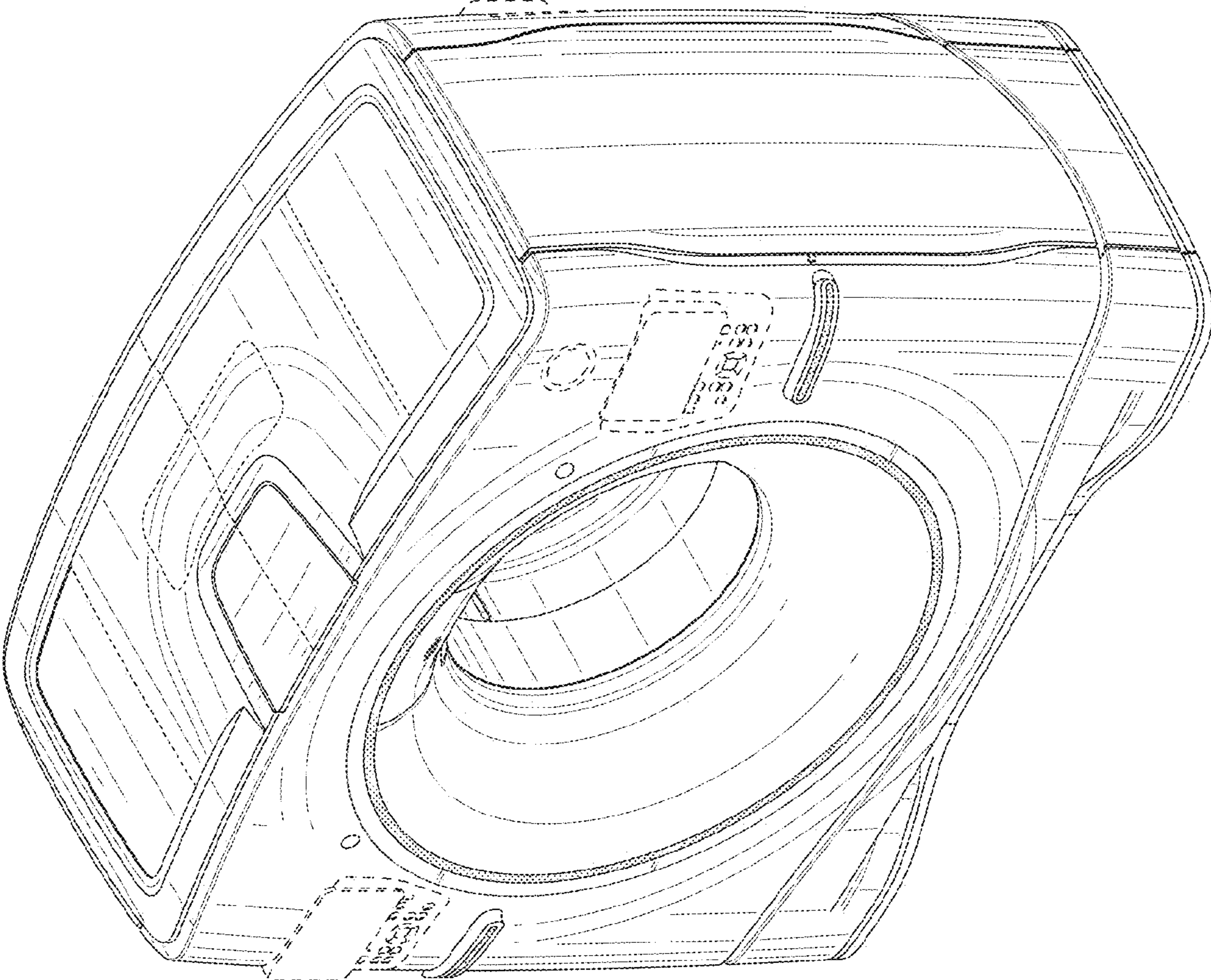


FIG. 9



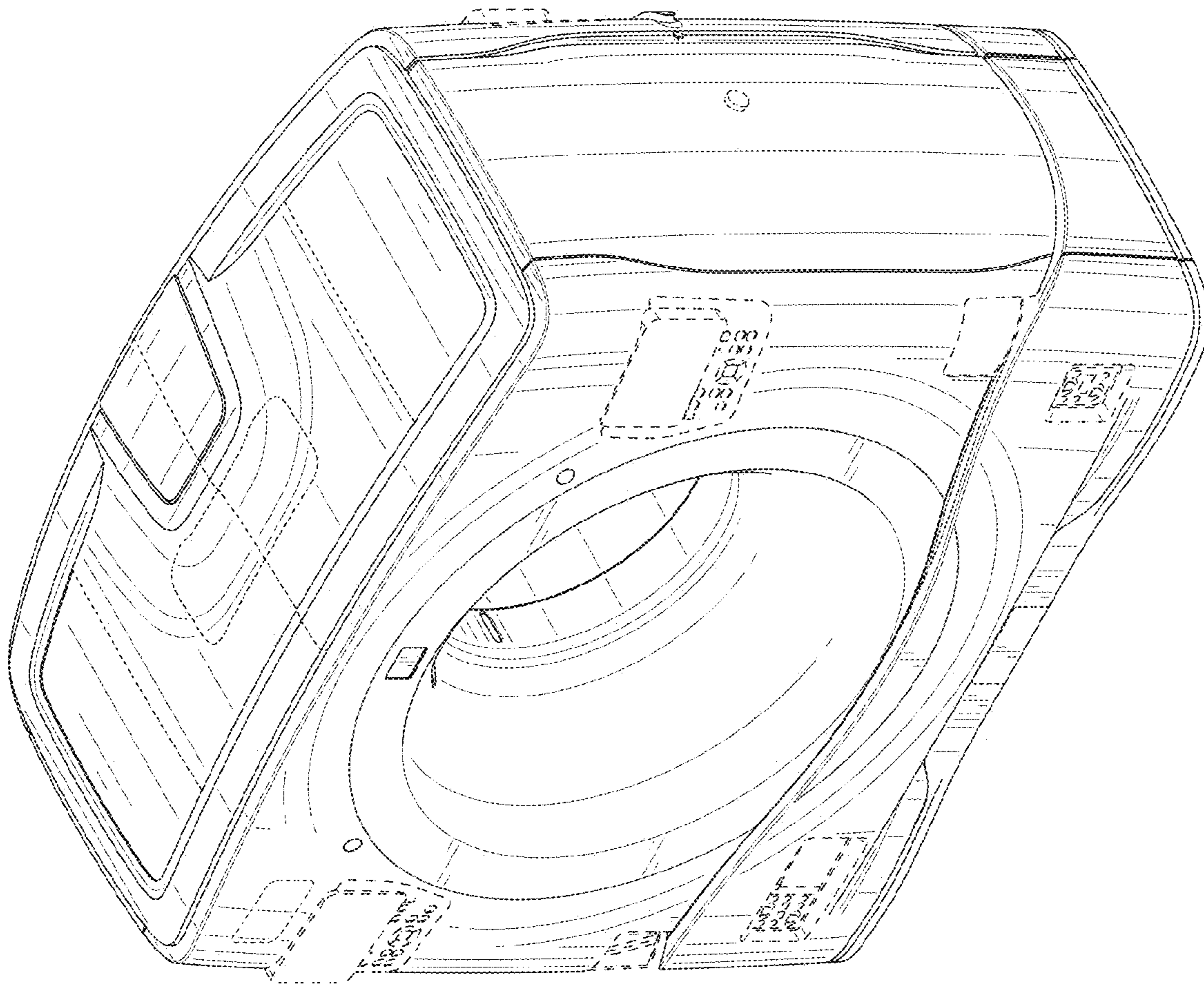


FIG. 10

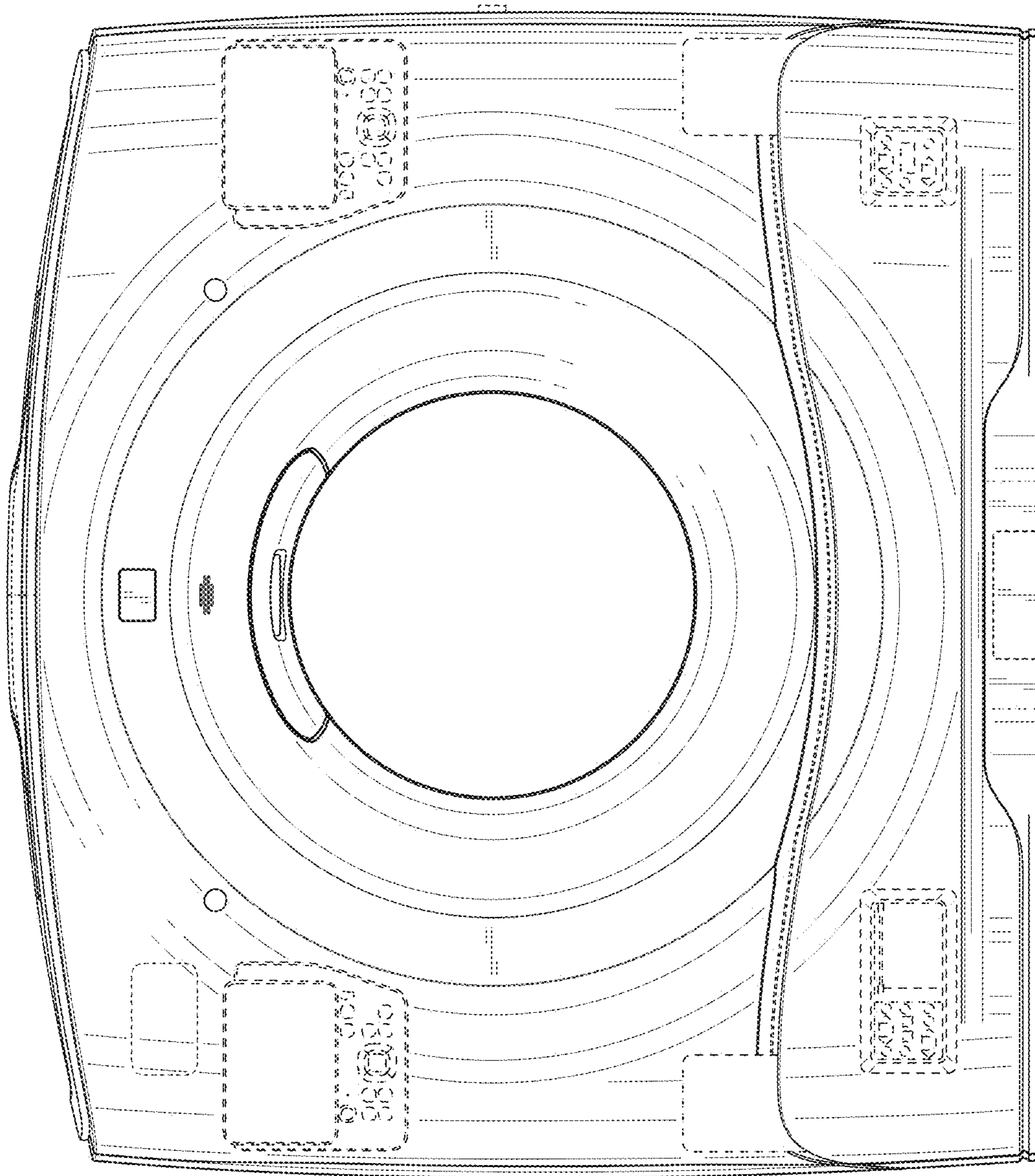


FIG. 11

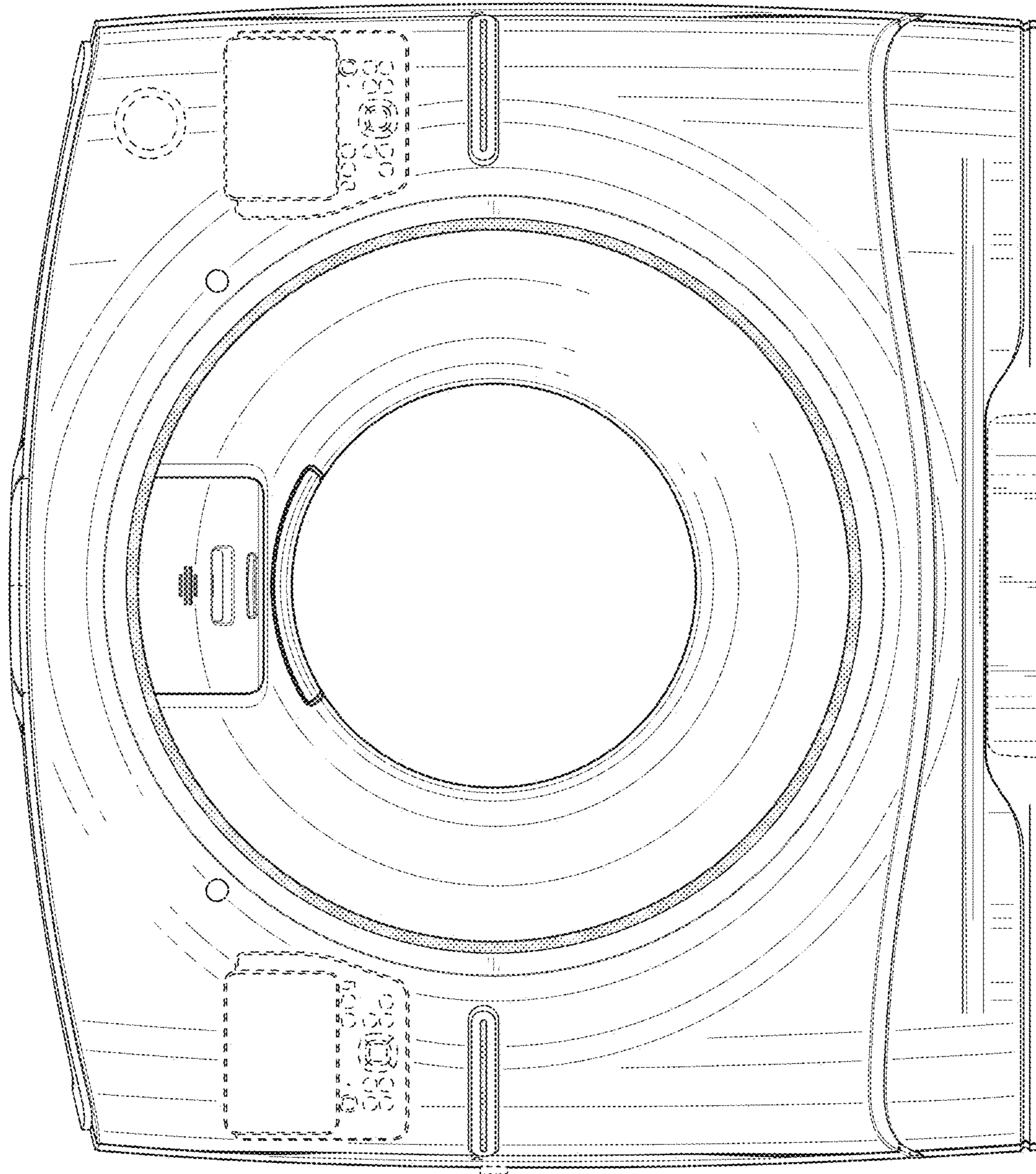


FIG. 12



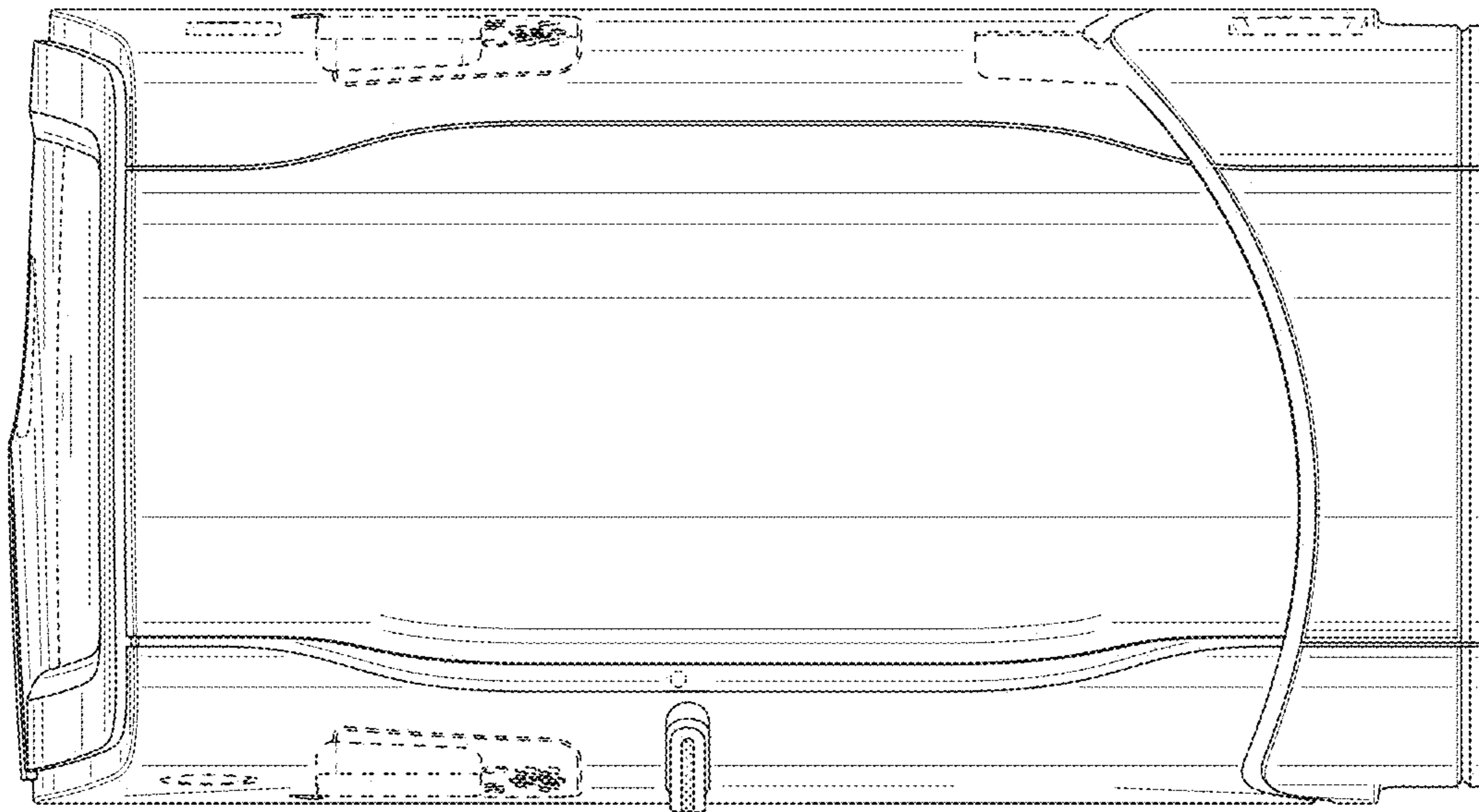


FIG. 13

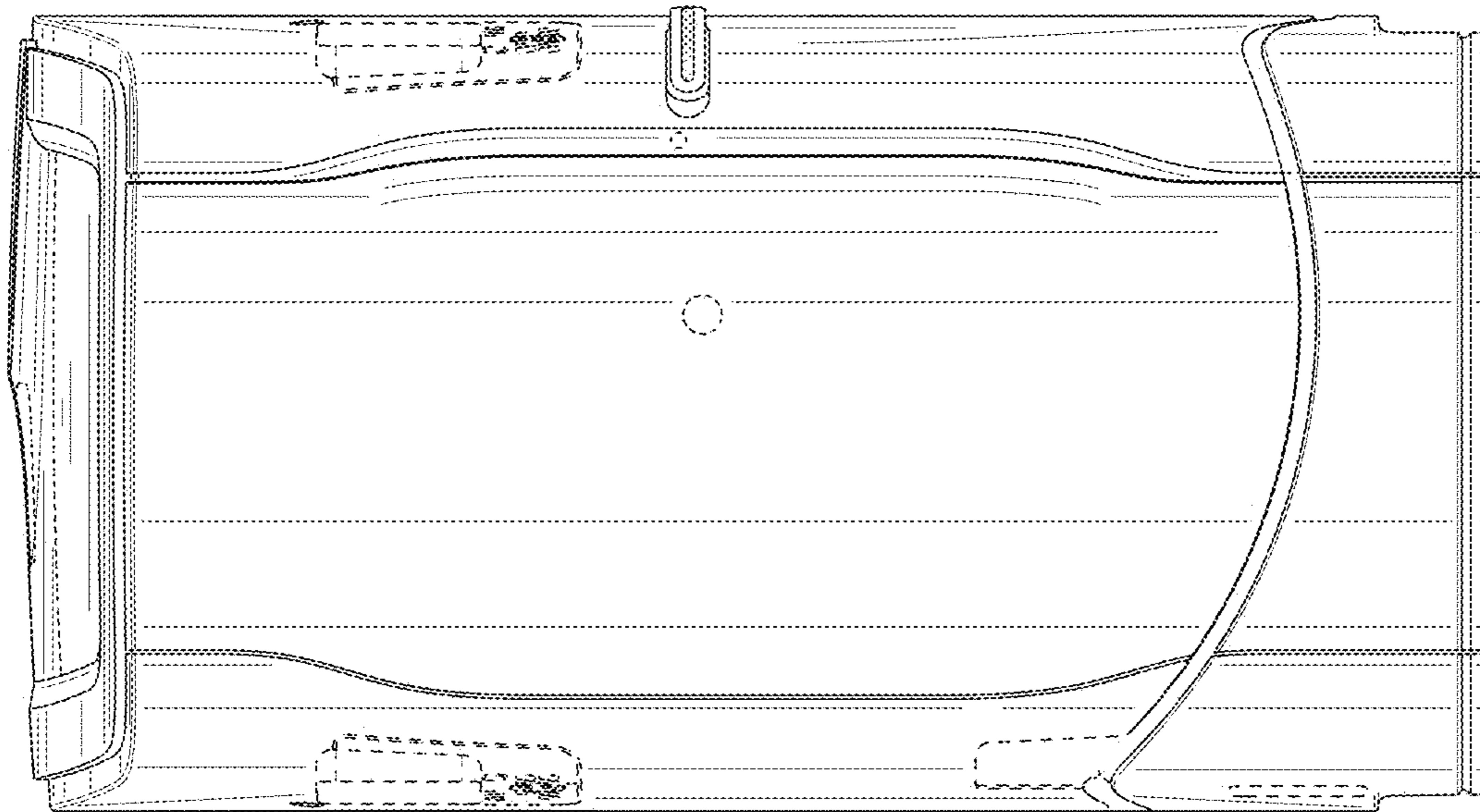


FIG. 14

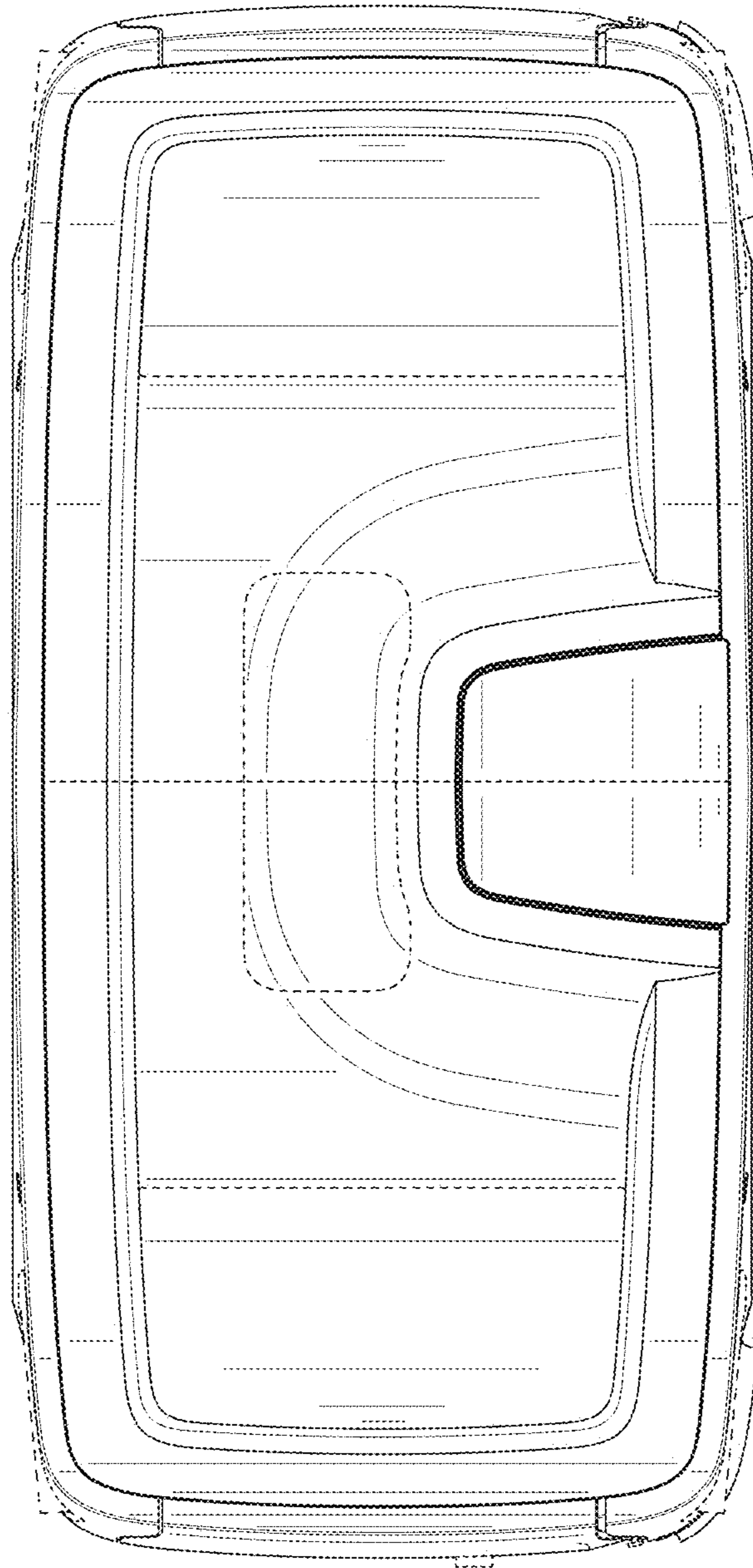


FIG. 15



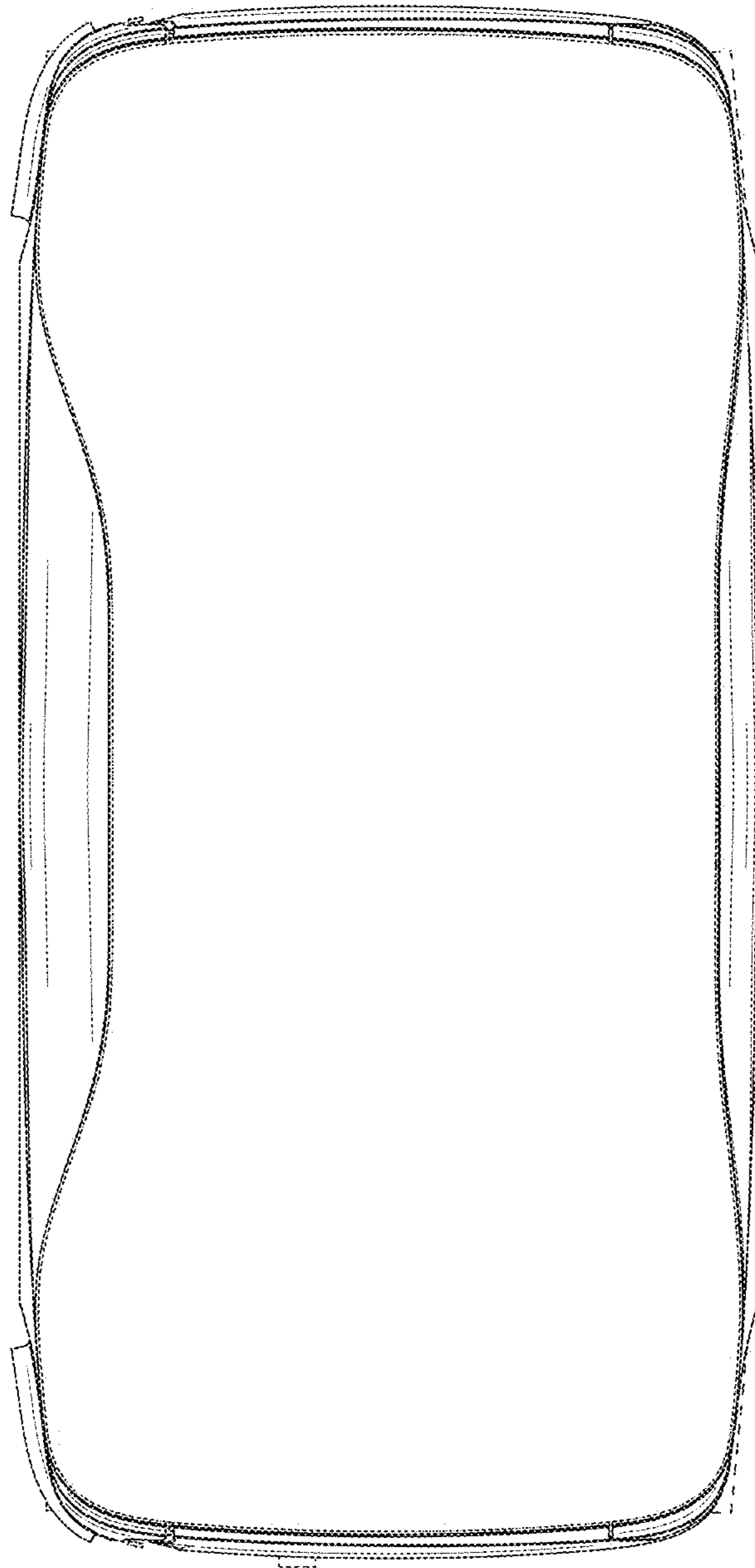


FIG. 16