



US00D919806S

(12) **United States Design Patent**  
**Norenstam et al.**

(10) **Patent No.:** **US D919,806 S**

(45) **Date of Patent:** **\*\* May 18, 2021**

(54) **GUIDE FOR SUTURING NEEDLE**

(71) Applicant: **Suturion AB**, Ramlösa (SE)

(72) Inventors: **Rickard Norenstam**, Löddeköpinge (SE); **Mats Christensson**, Staffanstorp (SE); **Gabriel Börner**, Ramlösa (SE)

(73) Assignee: **SUTURION AB**, Ramlösa (SE)

(\*\*) Term: **15 Years**

(21) Appl. No.: **29/702,343**

(22) Filed: **Aug. 19, 2019**

(51) **LOC (13) Cl.** ..... **24-02**

(52) **U.S. Cl.**  
USPC ..... **D24/140**

(58) **Field of Classification Search**  
USPC ..... D24/140, 133, 145  
CPC ..... A61B 17/0482; A61B 17/1227; A61B 17/00234  
See application file for complete search history.

(56) **References Cited**

**U.S. PATENT DOCUMENTS**

D407,488 S \* 3/1999 Injev ..... D24/133  
D604,855 S \* 11/2009 Shearlaw ..... D24/133  
D667,548 S \* 9/2012 Brannon ..... D24/140  
D678,783 S \* 3/2013 Wilcox ..... D9/729

D749,728 S \* 2/2016 Brannon ..... D24/140  
D794,784 S \* 8/2017 Bradley ..... D24/133  
D868,988 S \* 12/2019 Lieberman ..... D24/215  
D904,610 S \* 12/2020 Dacosta ..... D24/140  
2016/0095589 A1\* 4/2016 Sherwinter ..... A61B 17/0482  
606/148  
2017/0238914 A1\* 8/2017 Sherwinter ..... A61B 17/0482  
\* cited by examiner

*Primary Examiner* — Bridget L Eland

(74) *Attorney, Agent, or Firm* — Dinsmore & Shohl LLP

(57) **CLAIM**

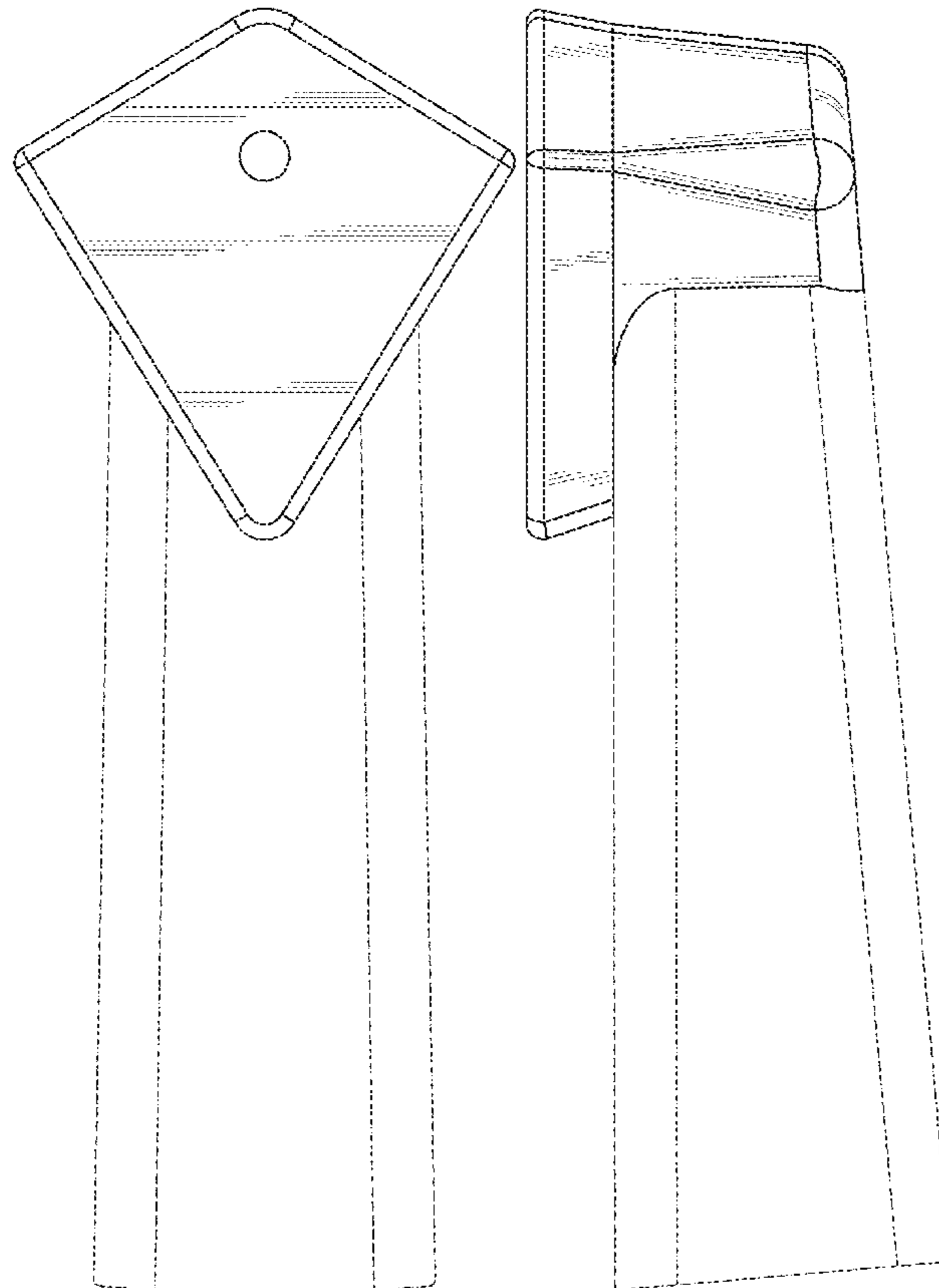
The ornamental design for a guide for suturing needle, as shown and described.

**DESCRIPTION**

FIG. 1 is a front perspective view of a guide for suturing needle in accordance with the present invention;  
FIG. 2 is a back perspective view of the guide for suturing needle of FIG. 1;  
FIG. 3 is a front view of the guide for suturing needle of FIGS. 1 and 2;  
FIG. 4 is a side view of the guide for suturing needle of FIGS. 1-3, the opposite side view being a mirror image thereof; and,  
FIG. 5 is an end view of the guide for suturing needle of FIGS. 1-4.

The broken lines are directed to environment and are for illustrative purposes only; the broken lines form no part of the claimed design.

**1 Claim, 4 Drawing Sheets**



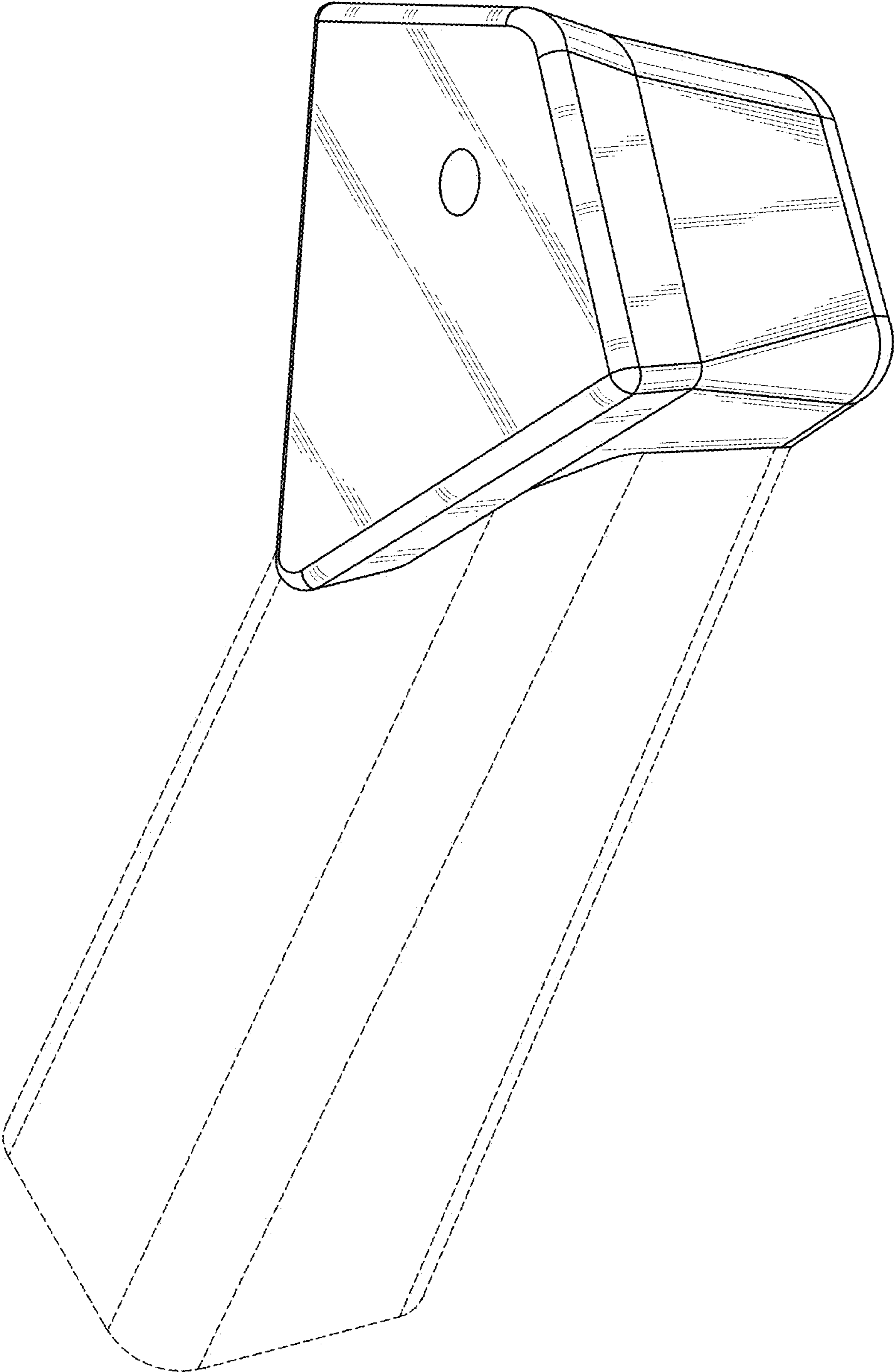


FIG. 1

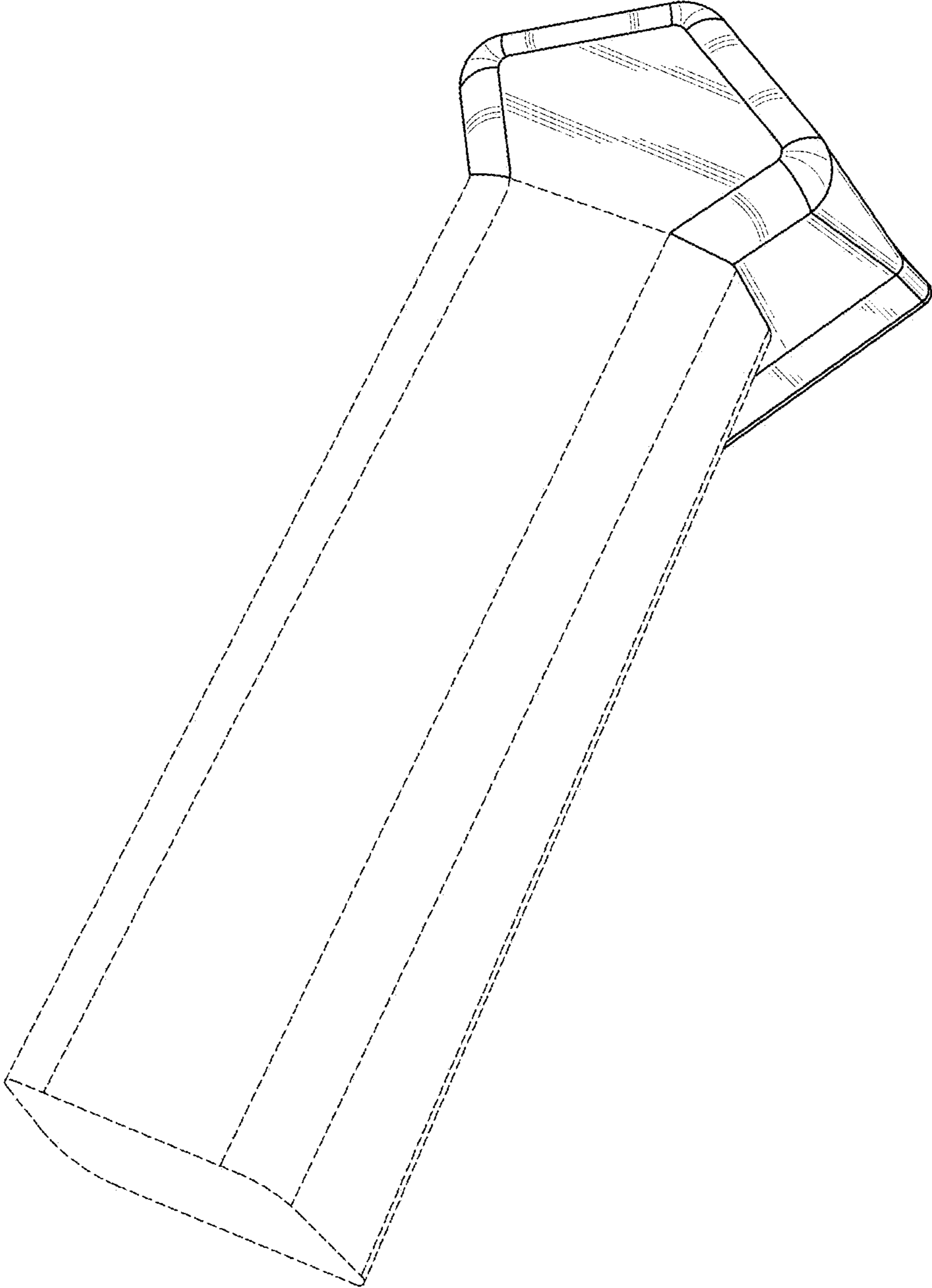


FIG. 2

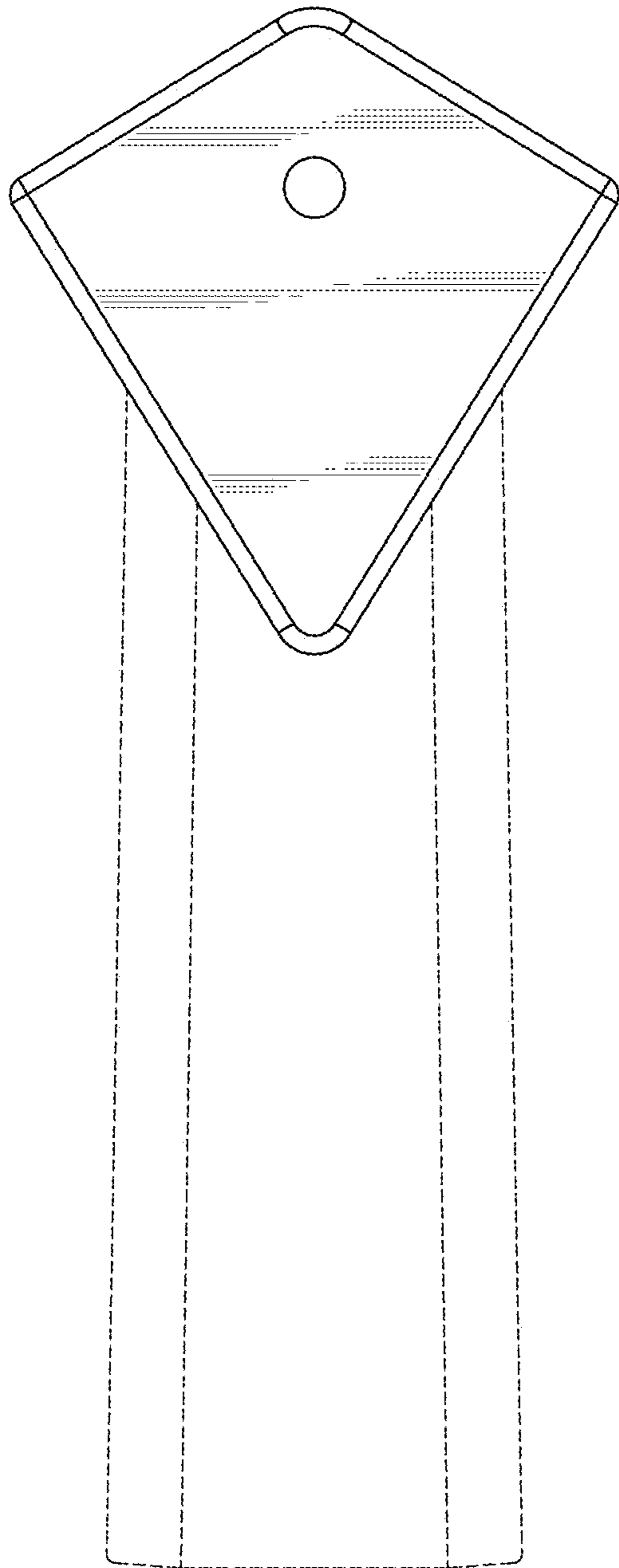


FIG. 3

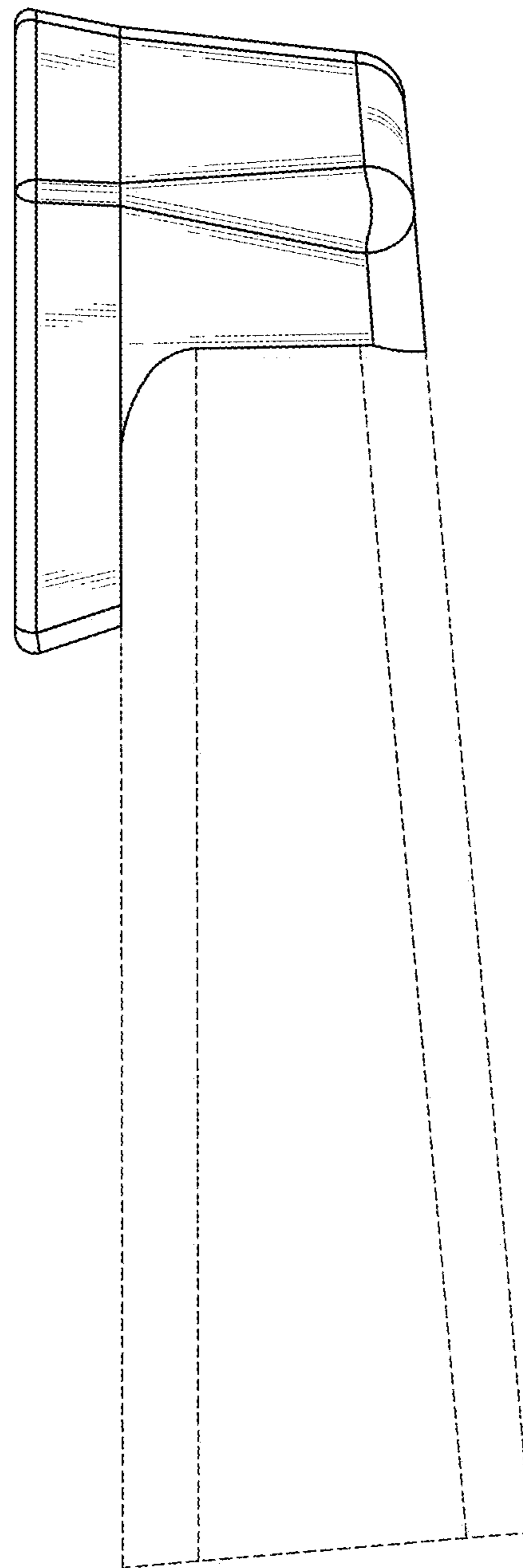


FIG. 4

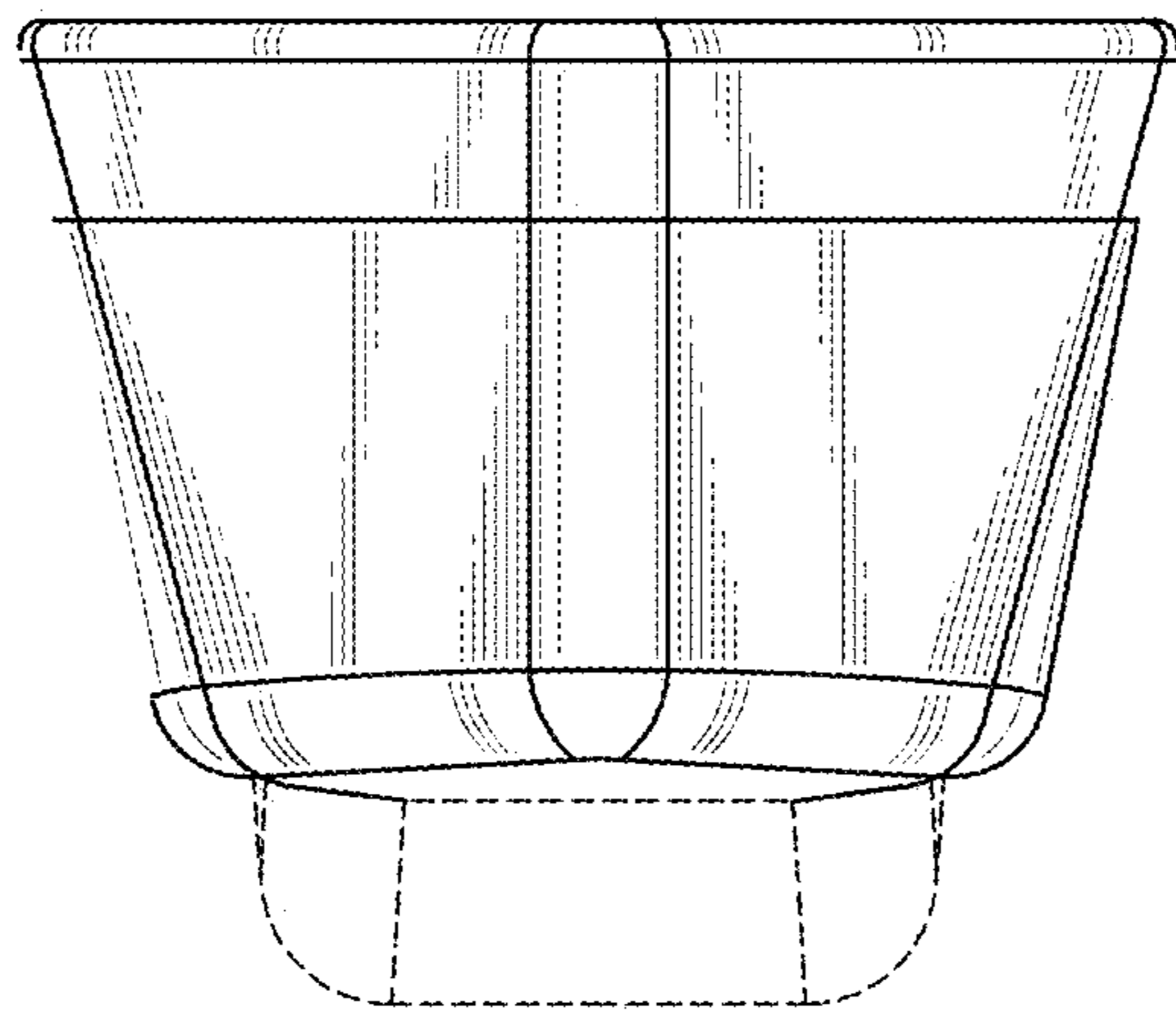


FIG. 5