



US00D919804S

(12) **United States Design Patent**
Cole et al.

(10) **Patent No.:** **US D919,804 S**
(45) **Date of Patent:** **** May 18, 2021**

(54) **HANDLE FOR MEDICAL DELIVERY APPARATUS DEVICE**

(71) Applicant: **W. L. Gore & Associates, Inc.**,
Newark, DE (US)

(72) Inventors: **Daniel S. Cole**, Flagstaff, AZ (US);
Jeremy J. Odegard, River Falls, WI (US);
Gerald A. Thoe, New Richmond, WI (US);
Elizabeth R. Volk, St. Paul, MN (US)

(73) Assignee: **W. L. Gore & Associates, Inc.**,
Newark, DE (US)

(**) Term: **15 Years**

(21) Appl. No.: **29/573,589**

(22) Filed: **Aug. 8, 2016**

Related U.S. Application Data

(63) Continuation-in-part of application No. 29/506,114,
filed on Oct. 13, 2014, now abandoned.

(51) **LOC (13) Cl.** **24-02**

(52) **U.S. Cl.**
USPC **D24/133**

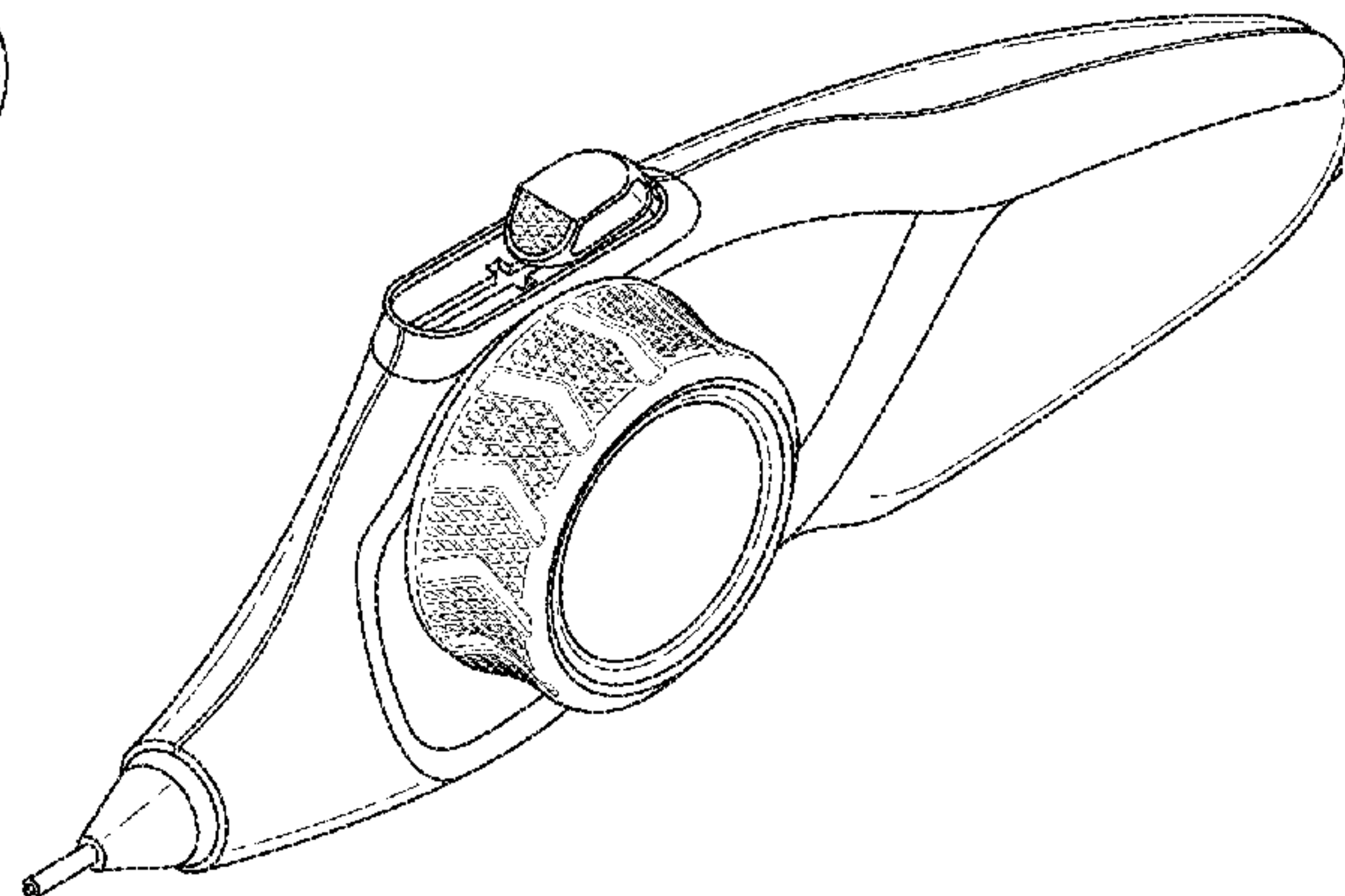
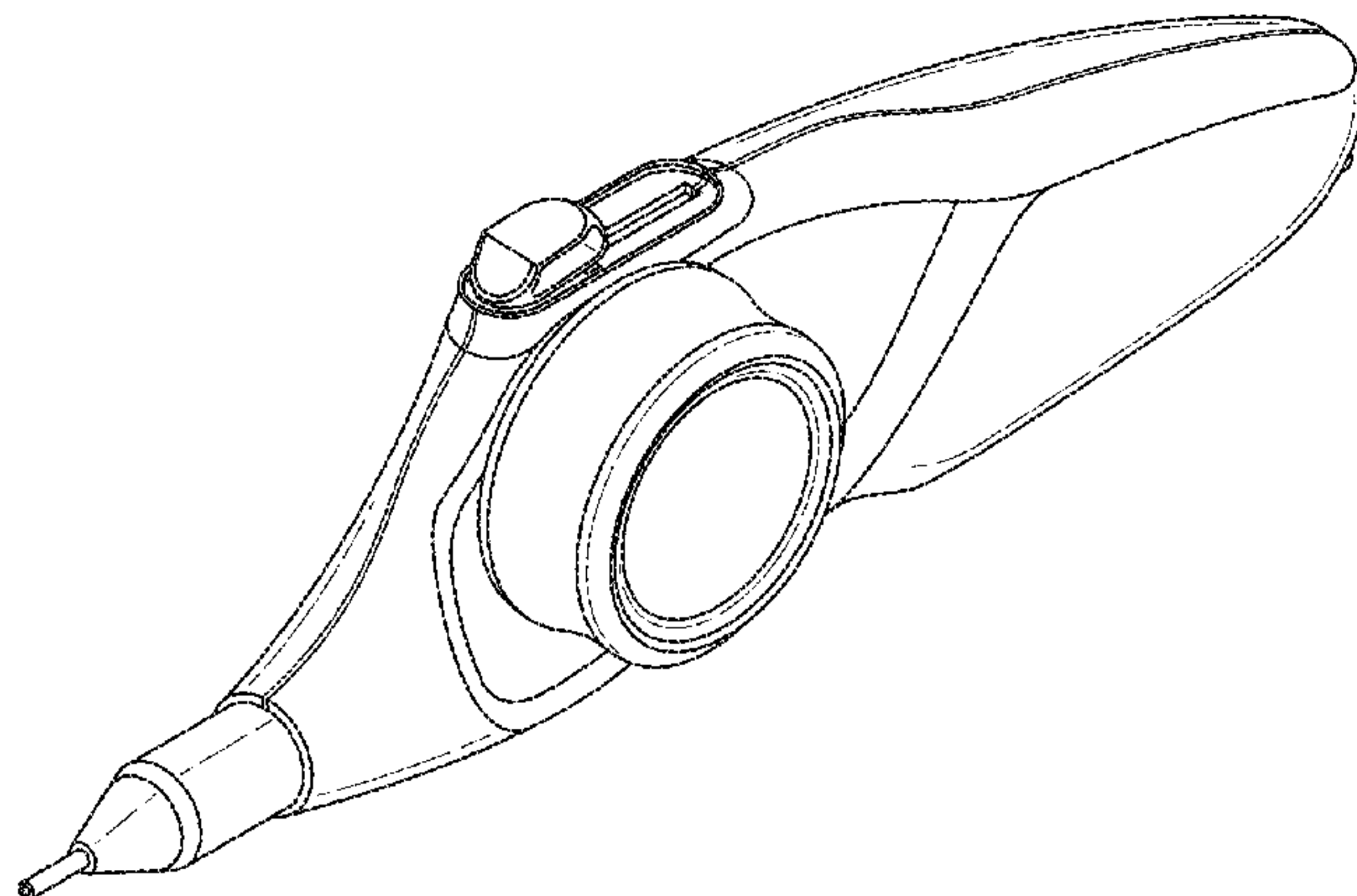
(58) **Field of Classification Search**
USPC D24/133, 141, 147
CPC A61F 2002/9517; A61F 2002/9522; A61F
2002/9528; A61F 2002/9534; A61F
2002/9665
See application file for complete search history.

(56) **References Cited**

U.S. PATENT DOCUMENTS

2,729,030 A 1/1956 Games
D327,320 S 6/1992 Bryant
D328,788 S 8/1992 Sagae et al.
5,154,490 A * 10/1992 Burns B60B 9/10
152/308
5,207,648 A 5/1993 Gross
5,250,038 A 10/1993 Melker et al.
D351,227 S 10/1994 Patton et al.

5,437,626 A 8/1995 Cohen et al.
D383,538 S 9/1997 Erskine et al.
D389,915 S 1/1998 Emerson
5,707,376 A 1/1998 Kavteladze et al.
5,846,221 A 12/1998 Snoke et al.
D407,488 S 3/1999 Injev
D424,197 S 5/2000 Sydlowski
6,203,507 B1 3/2001 Wadsworth et al.
6,217,564 B1 4/2001 Peters et al.
6,267,754 B1 7/2001 Peters
6,508,789 B1 1/2003 Sinnott et al.
6,508,807 B1 1/2003 Peters
6,599,265 B2 7/2003 Bon
6,605,075 B1 8/2003 Burdulis
D518,175 S 3/2006 Hardin, Jr. et al.
D538,936 S 3/2007 Böhmel
D564,093 S 3/2008 Marchand
7,413,543 B2 8/2008 Ohno et al.
D576,725 S 9/2008 Shumer
D578,216 S 10/2008 Dorn
7,497,853 B2 3/2009 Fischer et al.
D592,746 S 5/2009 Highley
D595,410 S 6/2009 Luzon
7,566,316 B2 7/2009 McGuckin et al.
D598,543 S 8/2009 Vogel
D606,190 S 12/2009 Pruitt et al.
7,637,932 B2 12/2009 Bolduc et al.
7,731,708 B2 6/2010 Haarala et al.
D622,842 S 8/2010 Benoist
D638,935 S 5/2011 Gilmore, III
D648,851 S 11/2011 Copeland et al.
D654,583 S 2/2012 Lee-Sepsick
D654,587 S 2/2012 Bacher
D661,388 S 6/2012 Clark
D663,832 S 7/2012 Essinger et al.
D673,676 S * 1/2013 Goudreau D24/133
D676,916 S * 2/2013 Reeves D21/779
D709,192 S * 7/2014 Czapalla D24/138
D719,651 S * 12/2014 Hoffmann D24/133
8,911,487 B2 * 12/2014 Bennett A61M 25/01
623/1.11
D724,726 S * 3/2015 Prokop D24/133
D735,327 S 7/2015 Van Wyk
D736,923 S * 8/2015 Snow D24/146
D744,644 S * 12/2015 Lee D24/133
D778,499 S * 2/2017 Dubin D28/48
D778,500 S * 2/2017 Dubin D28/48
D779,053 S * 2/2017 Kobida D24/108
D786,429 S * 5/2017 Cummins D24/141
D888,946 S * 6/2020 Green A61F 2/966
D24/133
2003/0149422 A1 8/2003 Muller
2004/0006380 A1 1/2004 Buck



2004/0097903	A1	5/2004	Raulerson	
2004/0133185	A1	7/2004	Nash et al.	
2005/0070878	A1	3/2005	Triplett et al.	
2005/0209582	A1	9/2005	Quinn et al.	
2005/0273151	A1	12/2005	Fulkerson	
2006/0095116	A1*	5/2006	Bolduc A61B 17/064 623/1.16
2007/0088421	A1	4/2007	Leowen	
2008/0200901	A1	8/2008	Rasmussen et al.	
2008/0319420	A1	12/2008	Rosenman et al.	
2009/0234328	A1	9/2009	Cox et al.	
2009/0287188	A1	11/2009	Golden et al.	
2010/0016838	A1	1/2010	Butts et al.	
2010/0036472	A1	2/2010	Papp	
2010/0100074	A1	4/2010	Smith et al.	
2010/0274227	A1	10/2010	Khairkahan et al.	
2010/0331823	A1	12/2010	Blanchard	
2011/0238147	A1	9/2011	Bennet et al.	
2013/0204206	A1	8/2013	Morgan et al.	
2013/0253469	A1	9/2013	Freed	
2013/0304036	A1	11/2013	Kimmel et al.	
2014/0180257	A1	6/2014	Zinn	

FOREIGN PATENT DOCUMENTS

CA	2924364	A1 *	3/2015	A61B 1/253
JP	01519992	S	3/2015		
KR	300489814.0000		5/2008		
WO	WO-2011122444	A1 *	10/2011	A61F 2/915
WO	WO-2014026028	A1	2/2014		
WO	WO-2016123503	A1 *	8/2016	A61F 2/95

OTHER PUBLICATIONS

YouTube. <URL: https://www.youtube.com/watch?time_continue=3&v=ASB4gVZguwc> Sep. 3, 2015. Innova Stent System.*

Blade Forums. <URL: <https://www.bladeforums.com/threads/gerber-strongarm.1465159/>> Jan. 25, 2017. Knife with diamond pattern grip.*

Absolute Pro Vascular Self-Expanding Stent System, Product Brochure: Abbot Vascular USA, 2006, Abbott Laboratories, copyright 2006-2015, 3 pages.

Amphirion Deep Infrapopliteal OTW+RX PTA Balloon Catheter 0.014", Product Brochure, Medtronic, 2 pages.

Biotronik's New Length Pulsar-18 Peripheral Arterial Stent Now Available. News Release, <http://medicalbuy.net/2012/11/biotroniks-lengthy-pulsar-18-peripheral-arterial-stent/>, Nov. 14, 2012, 11 pages.

Complete SE Vascular Self-Expanding Stent Product Details, Medtronic, Peripheral Therapies International for Healthcare Professionals. <http://www.peripheral.medtronicendovascular.com/international/product-type/stents/complete-se/product-details/index.htm>. © 2015 Medtronic, 3 pages.

Complete SE Vascular: Complete SE-Technical Specifications, Medtronic Peripheral Therapies International for Healthcare Professionals, <http://www.peripheral.medtronicendovascular.com/international/product-type/stents/complete-se/product-details/index.htm>. © 2015 Medtronic, 3 pages.

Cordis S.M.A.R.T. ® Control™ Nitinol Stent System, Product Brochure, Cordis Europe, 2007, 4 pages.

E•Luminexx® Biliary Stent: Instructions for Use. Bard, Peripheral Vascular B05691 Vers 6/11-09, 27 pages.

EverFlex™ Self-expanding Peripheral Stent with Entrust™ Delivery System, Product Brochure, (supradesup-selfexpanding-peripheral-stent-with-entrustsupradesup-delivery-system.html) © 2015 Covidien, 4 pages.

Kmart. <URL: <http://www.kmart.com/goody%ADchevron%ADneon%ADgrips%ADpurse%ADbrush%AD1/p%AD038W008456938001P?sid=KAx20061023x272xTier3&aff=Y&PID=1001361&AI0=10660381>>. Aug. 11, 2015. Hair brush with chevron-pattern grip, 1 page.

LifeStent Vascular Stent Systems, Product Brochure, Bard Peripheral Vascular, © Copyright 2011, C. R. Bard, Inc., 2 pages.

Misago®—Self-expanding peripheral stent, Product Brochure, Terumo International Systems, <http://www.terumo-europe.com/en-emea/peripheral-intervention/peripheral-stents>, 8 pgs, downloaded Oct. 8, 2015.

Sinus-Superflex-635 Self-Expanding Nitinol Stent System, Product Brochure, Optimed, May 2014, 6 pages.

SUPERA Interwoven Self-Expanding Nitinol Stent Transhepatic Biliary System, Product Brochure, IDEV Technologies (<http://www.farmpd.com/medical-equipment-product-development/idev-technologies>) © 2015 Farm Design, Inc., 2 pages.

The Bard Luminexx Product Brochure, Vascular News—New Products (VN21) Bard (Europe), Mar. 15, 2004, 1 page.

The Country Shed. <URL: http://www.thecountryshed.com/ar10_mags_and_drums.htm> Visited Mar. 23, 2016. Ammunition magazine with chevron pattern, 3 pages.

The saleroom. <URL: <http://www.the-saleroom.com/en-gb/auction-catalogues/wilkinsons-auctioneers-ltd/catalogue-id-srwil10005/lot-d4e7c4e6-3429-46dc-9398-a43b002edbab>>. Bronze Sword, Circa 1500 B.C. with incised chevron decoration on grip, 1 page.

Tsunami® Peripheral—Balloon—expandable stent, Product Brochure, Terumo International Systems, <http://www.terumo-europe.com/en-emea/peripheral-intervention/peripheral-stents>, 5 pages, downloaded Oct. 8, 2015.

* cited by examiner

Primary Examiner — Lauren D McVey

(57) CLAIM

The ornamental design for a handle for medical delivery apparatus device, as shown and described.

DESCRIPTION

FIG. 1 is a three-quarter front isometric view of a first embodiment of a handle for medical delivery apparatus device, showing our new design in a first position;

FIG. 2 is a three-quarter rear isometric view of the handle for medical delivery apparatus device shown in FIG. 1;

FIG. 3 is a rear view of the handle for medical delivery apparatus device shown in FIG. 1;

FIG. 4 is a front view of the handle for medical delivery apparatus device shown in FIG. 1;

FIG. 5 is a right side view of the handle for medical delivery apparatus device shown in FIG. 1;

FIG. 6 is a left side view of the handle for medical delivery apparatus device shown in FIG. 1;

FIG. 7 is a top view of the handle for medical delivery apparatus device shown in FIG. 1;

FIG. 8 is a bottom view of the handle for medical delivery apparatus device shown in FIG. 1;

FIG. 9 is a three-quarter front isometric view of a second embodiment of a handle for medical delivery apparatus device, shown in a first position;

FIG. 10 is a three-quarter rear isometric view of the handle for medical delivery apparatus device shown in FIG. 9;

FIG. 11 is a rear view of the handle for medical delivery apparatus device shown in FIG. 9;

FIG. 12 is a front view of the handle for medical delivery apparatus device shown in FIG. 9;

FIG. 13 is a right side view of the handle for medical delivery apparatus device shown in FIG. 9;

FIG. 14 is a left side view of the handle for medical delivery apparatus device shown in FIG. 9;

FIG. 15 is a top view of the handle for medical delivery apparatus device shown in FIG. 9;

FIG. 16 is a bottom of the handle for medical delivery apparatus device shown in FIG. 9;

FIG. 17 is a three-quarter front isometric view of a third embodiment of a handle for medical delivery apparatus device, shown in a first position;

FIG. 18 is another three-quarter front isometric view of the handle for medical delivery apparatus device shown in FIG. 17;

FIG. 19 is a partially enlarged view of the portion of the handle for medical delivery apparatus device of FIG. 17 delineated by the broken line rectangle shown in FIG. 18;

FIG. 20 is a three-quarter rear isometric view of the handle for medical delivery apparatus device shown in FIG. 17;

FIG. 21 is a rear view of the handle for medical delivery apparatus device shown in FIG. 17;

FIG. 22 is a front view of the handle for medical delivery apparatus device shown in FIG. 17;

FIG. 23 is a right side view of the handle for medical delivery apparatus device shown in FIG. 17;

FIG. 24 is a left side view of the handle for medical delivery apparatus device shown in FIG. 17;

FIG. 25 is a top view of the handle for medical delivery apparatus device shown in FIG. 17; and

FIG. 26 is a bottom view of the handle for medical delivery apparatus device shown in FIG. 17.

FIG. 27 is a three-quarter front isometric view of the first embodiment of a handle for medical delivery apparatus device shown in a retracted position;

FIG. 28 is a three-quarter rear isometric view of the handle for medical delivery apparatus device shown in FIG. 27;

FIG. 29 is a rear view of the handle for medical delivery apparatus device shown in FIG. 27;

FIG. 30 is a front view of the handle for medical delivery apparatus device shown in FIG. 27;

FIG. 31 is a right side view of the handle for medical delivery apparatus device shown in FIG. 27;

FIG. 32 is a left side view of the handle for medical delivery apparatus device shown in FIG. 27;

FIG. 33 is a top view of the handle for medical delivery apparatus device shown in FIG. 27;

FIG. 34 is a bottom view of the handle for medical delivery apparatus device shown in FIG. 27;

FIG. 35 is a three-quarter front isometric view of the second embodiment of a handle for medical delivery apparatus device shown in a retracted position;

FIG. 36 is a three-quarter rear isometric view of the handle for medical delivery apparatus device shown in FIG. 35;

FIG. 37 is a rear view of the handle for medical delivery apparatus device shown in FIG. 35;

FIG. 38 is a front view of the handle for medical delivery apparatus device shown in FIG. 35;

FIG. 39 is a right side view of the handle for medical delivery apparatus device shown in FIG. 35;

FIG. 40 is a left side view of the handle for medical delivery apparatus device shown in FIG. 35;

FIG. 41 is a top view of the handle for medical delivery apparatus device shown in FIG. 35;

FIG. 42 is a bottom view of the handle for medical delivery apparatus device shown in FIG. 35;

FIG. 43 is a three-quarter front isometric view of the third embodiment of a handle for medical delivery apparatus device shown in a retracted position;

FIG. 44 is a three-quarter rear isometric view of handle for medical delivery apparatus device shown in FIG. 43;

FIG. 45 is a rear view of the handle for medical delivery apparatus device shown in FIG. 43;

FIG. 46 is a front view of the handle for medical delivery apparatus device shown in FIG. 43;

FIG. 47 is a right side view of the handle for medical delivery apparatus device shown in FIG. 43;

FIG. 48 is a left side view of the handle for medical delivery apparatus device shown in FIG. 43;

FIG. 49 is a top view of the handle for medical delivery apparatus device shown in FIG. 43; and,

FIG. 50 is a bottom view of the handle for medical delivery apparatus device shown in FIG. 43.

The broken lines in FIGS. 18 and 19 are used to identify the portion of the partially enlarged view, are for reference purposes only, and form no part of the claimed design.

1 Claim, 43 Drawing Sheets

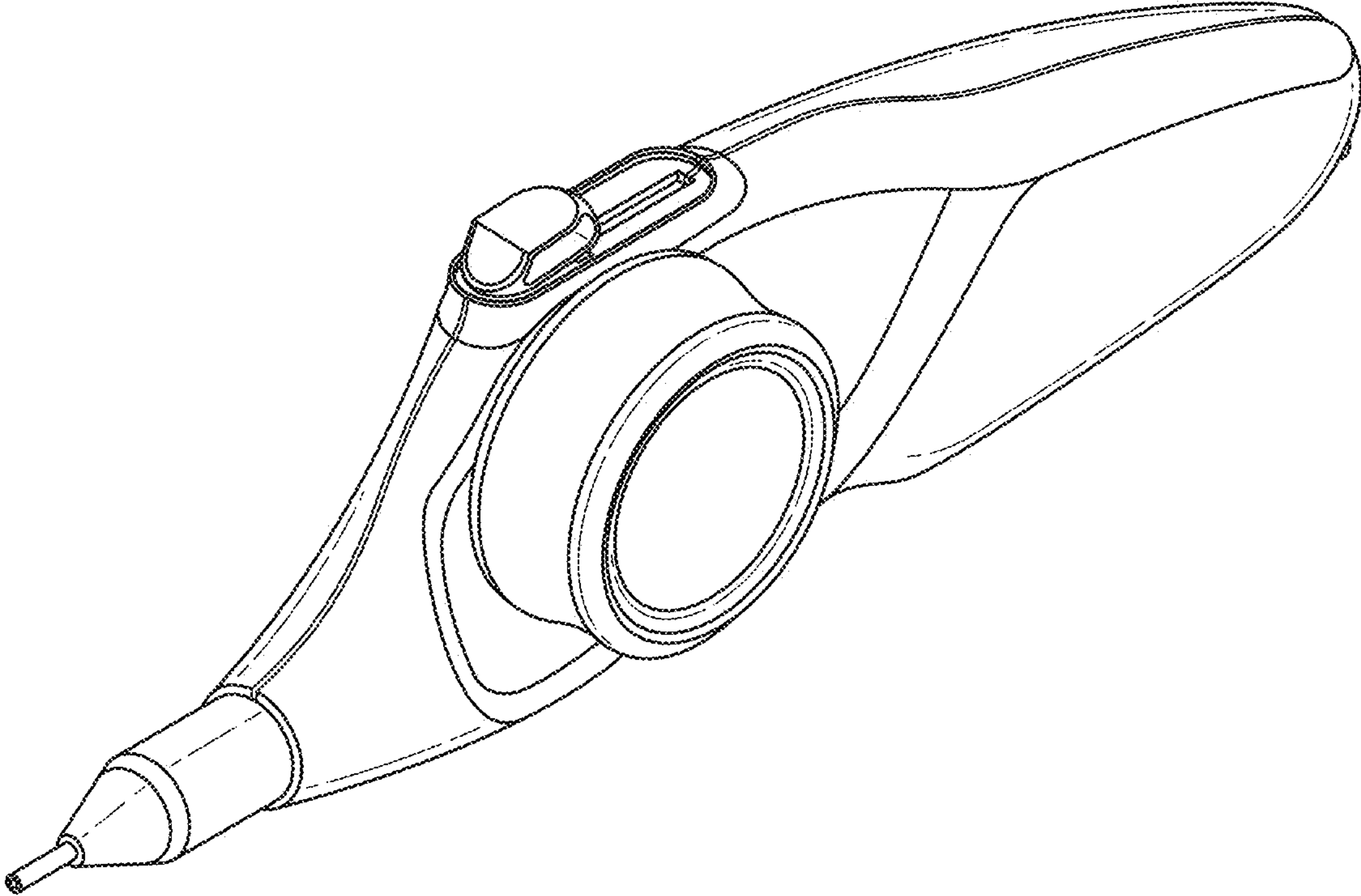


FIG. 1

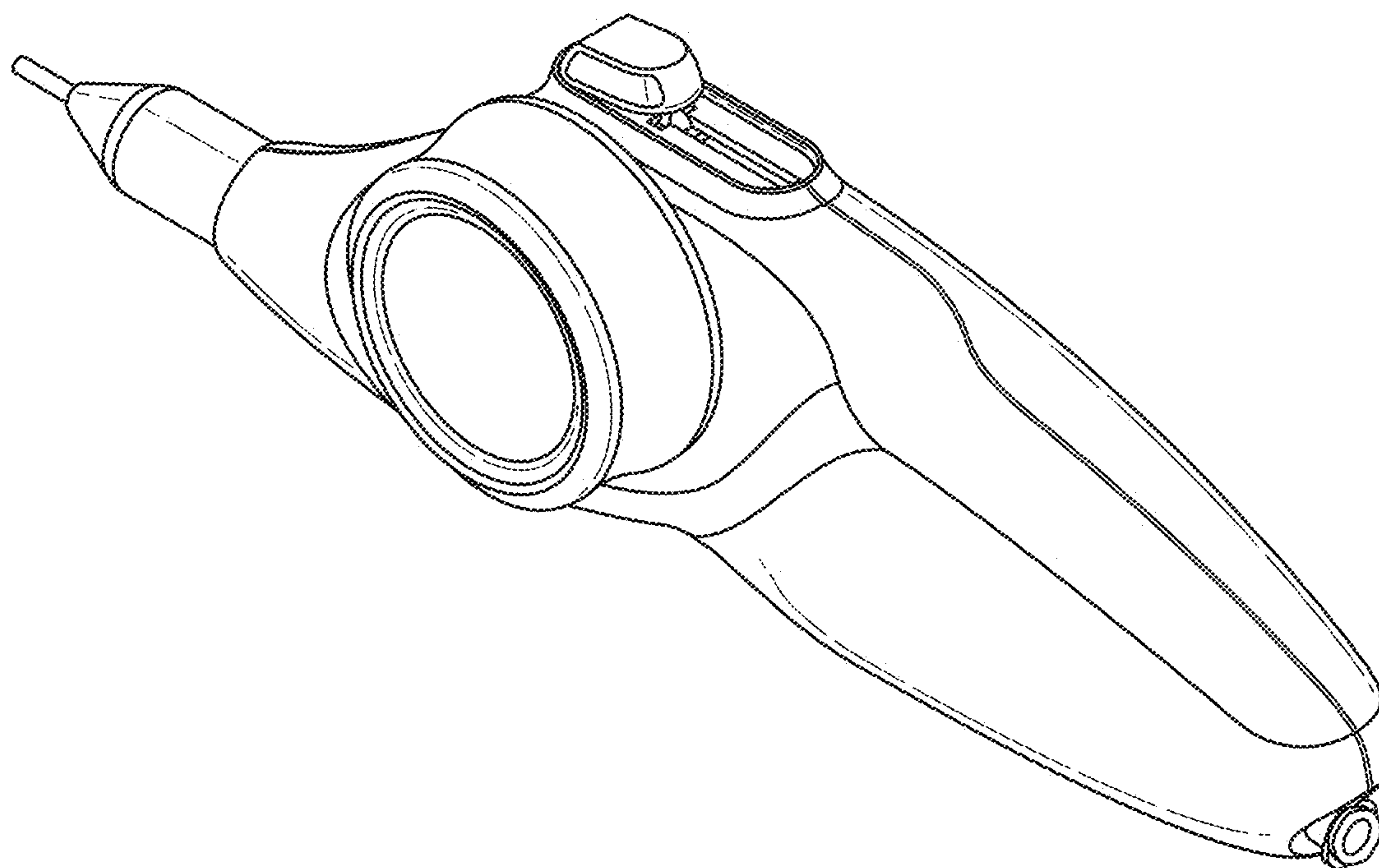


FIG. 2

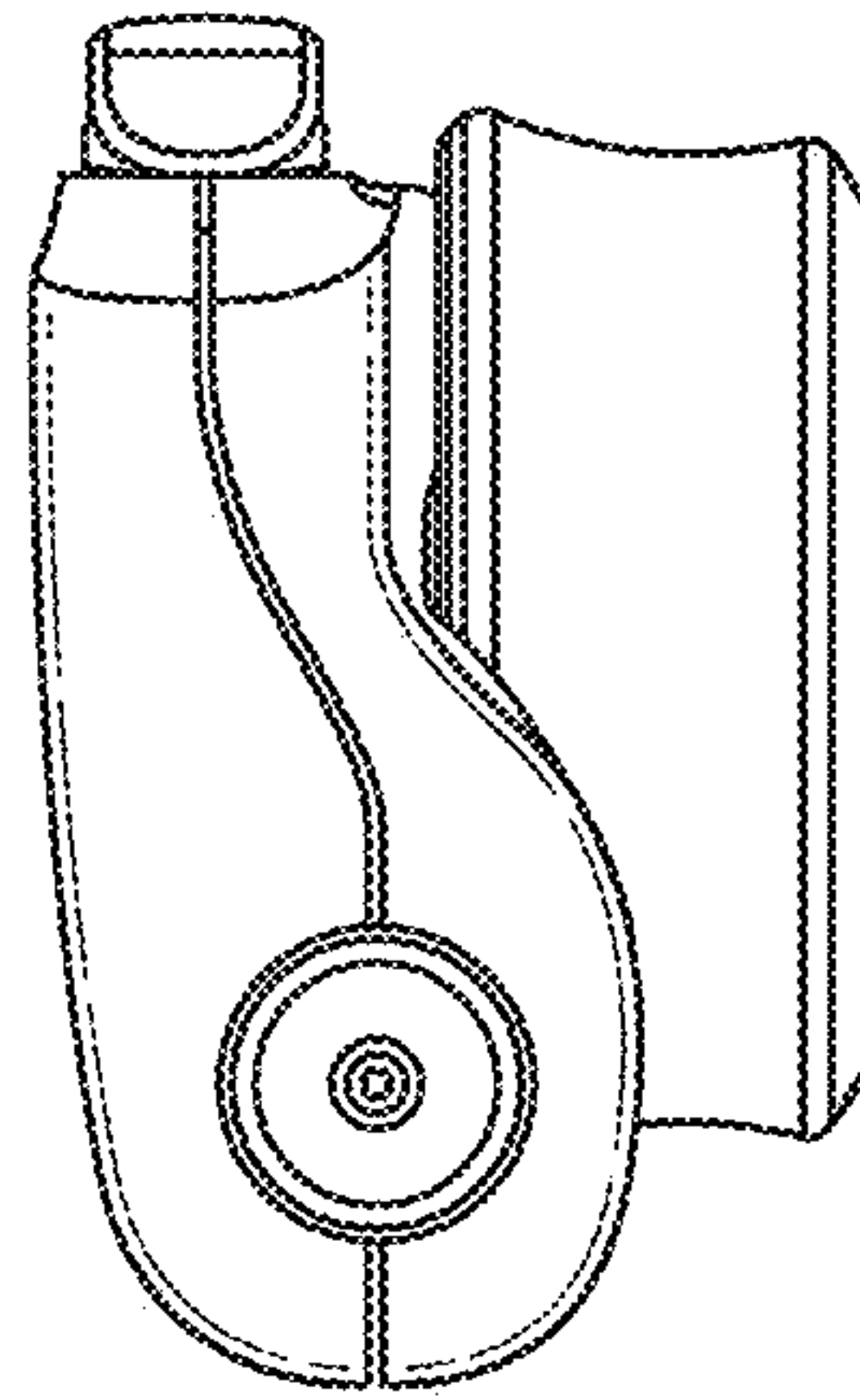


FIG. 3

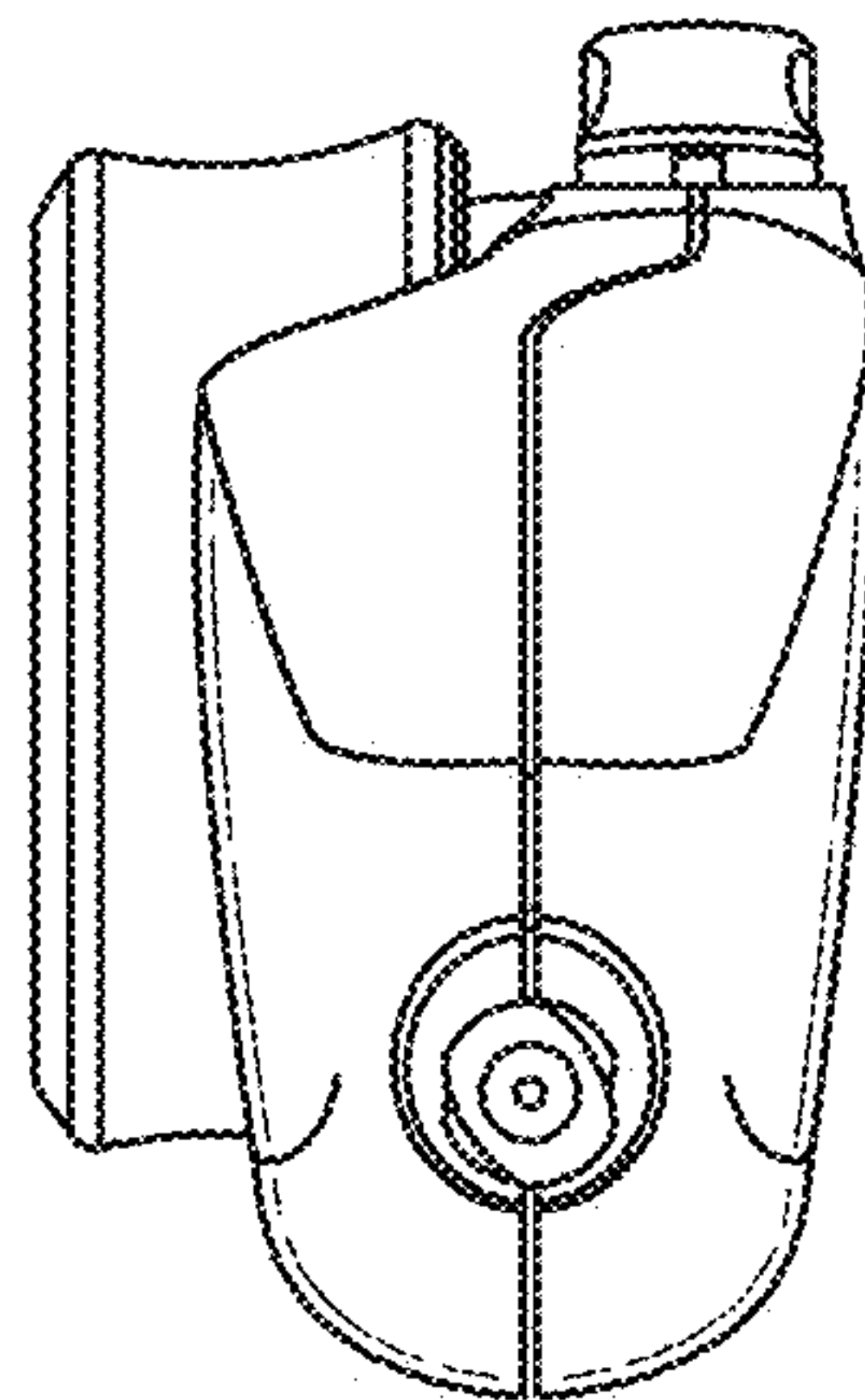


FIG. 4

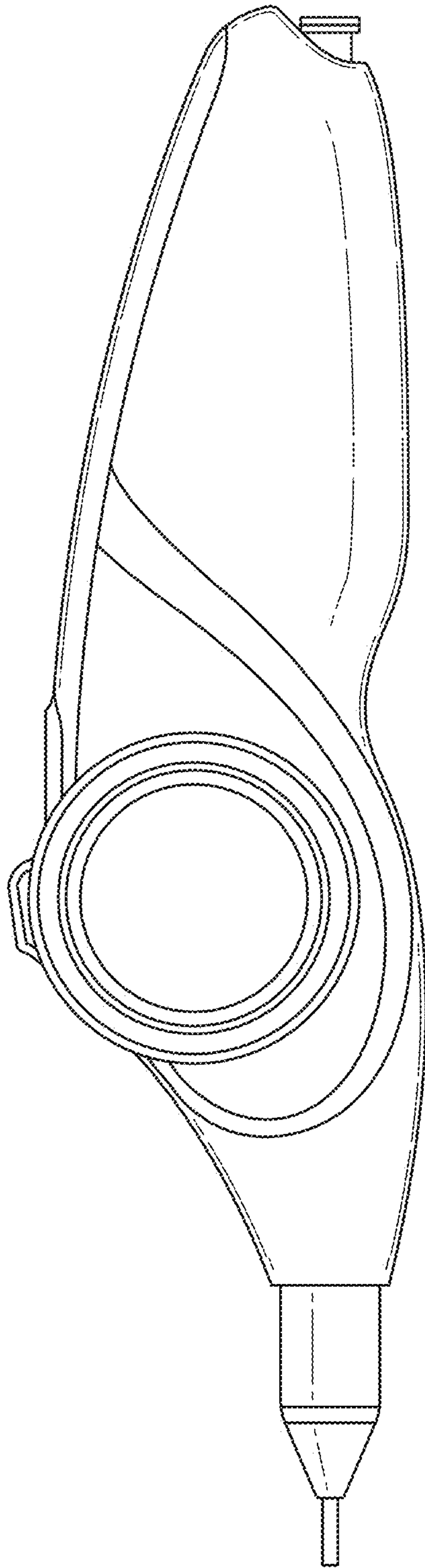


FIG. 5

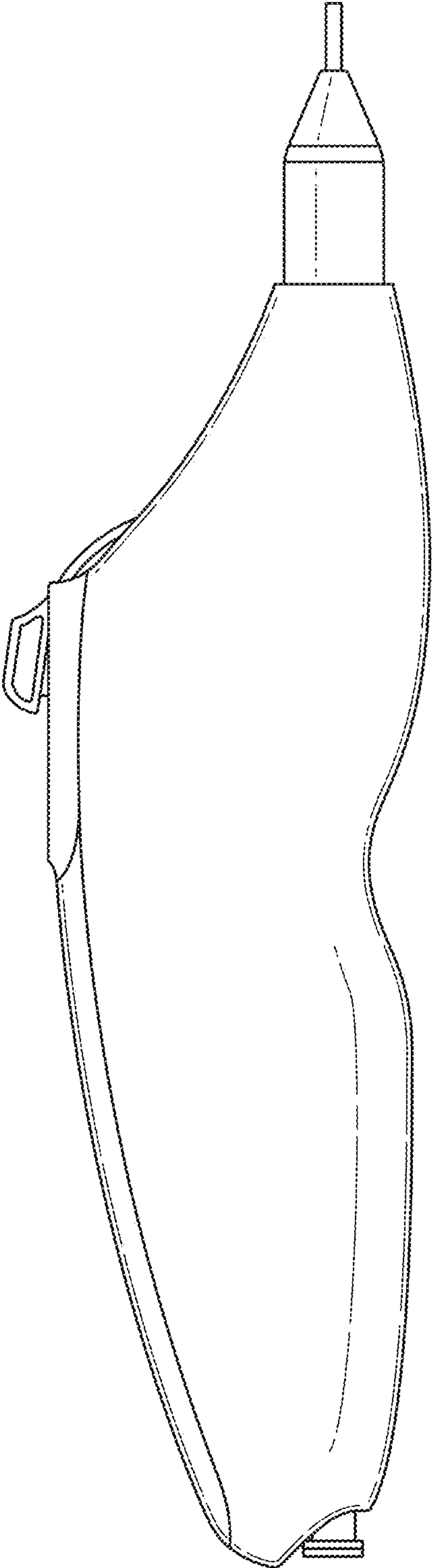


FIG. 6

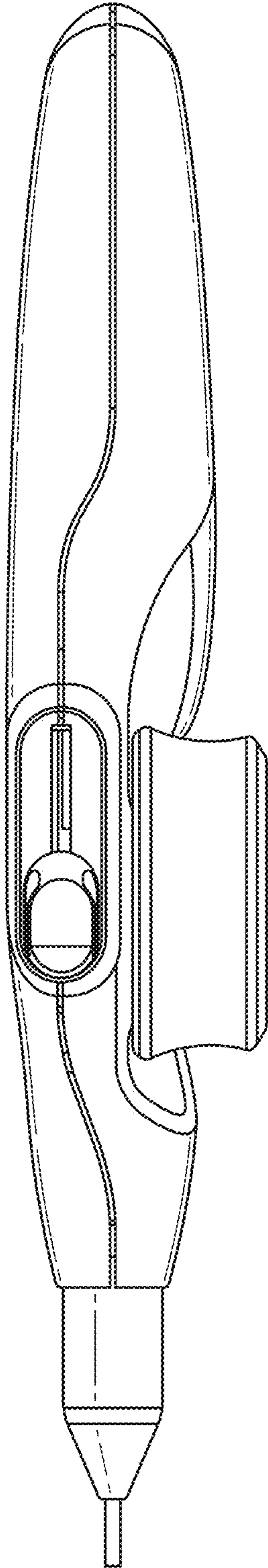


FIG. 7

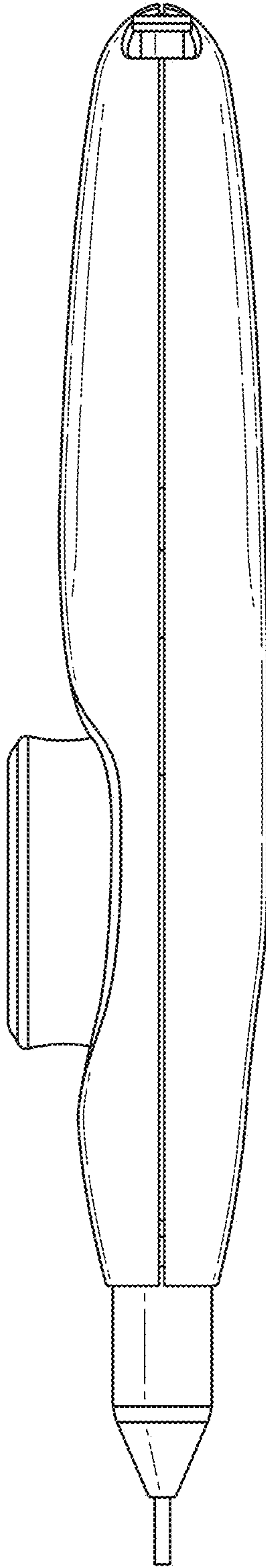


FIG. 8

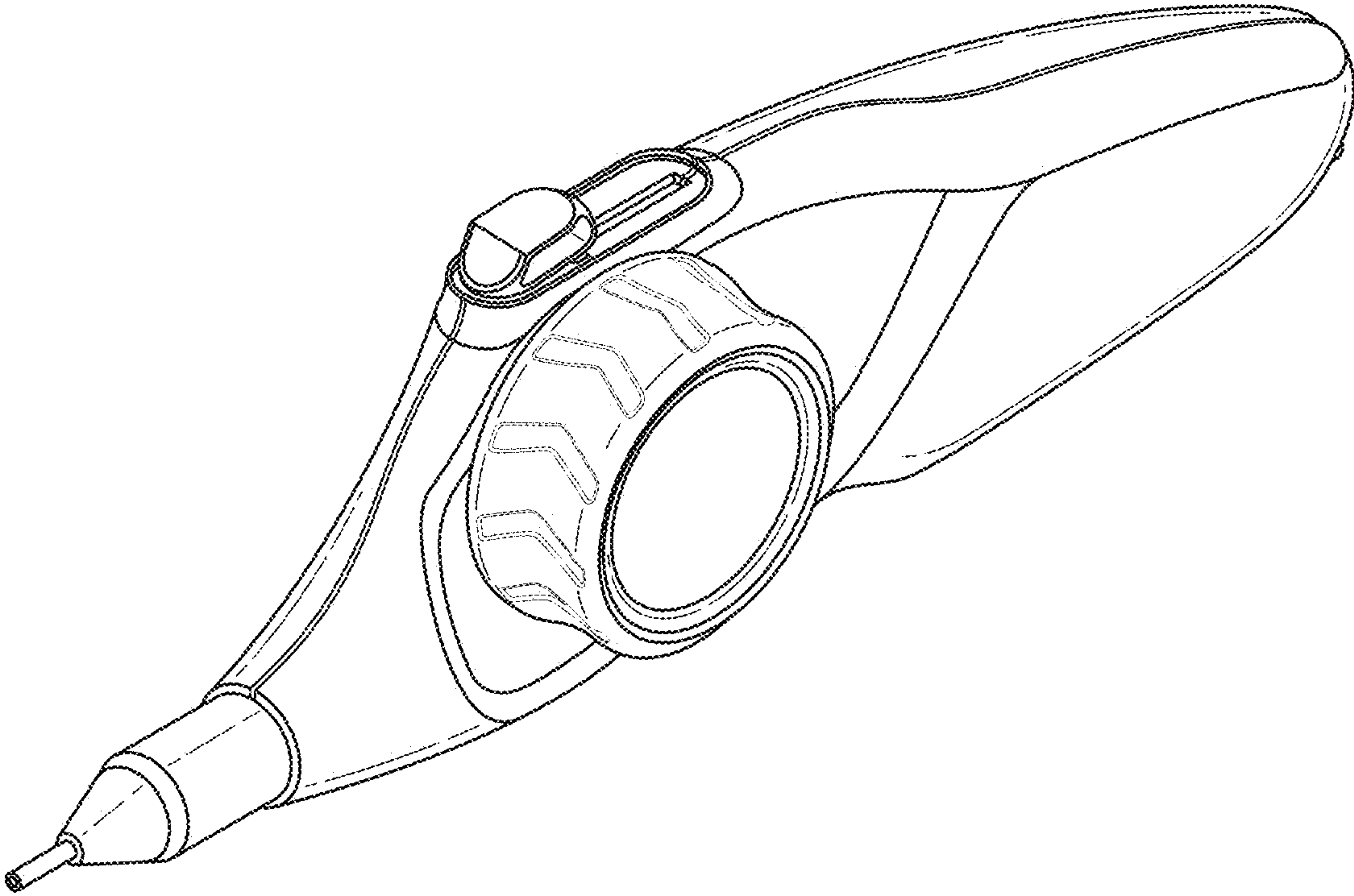


FIG. 9

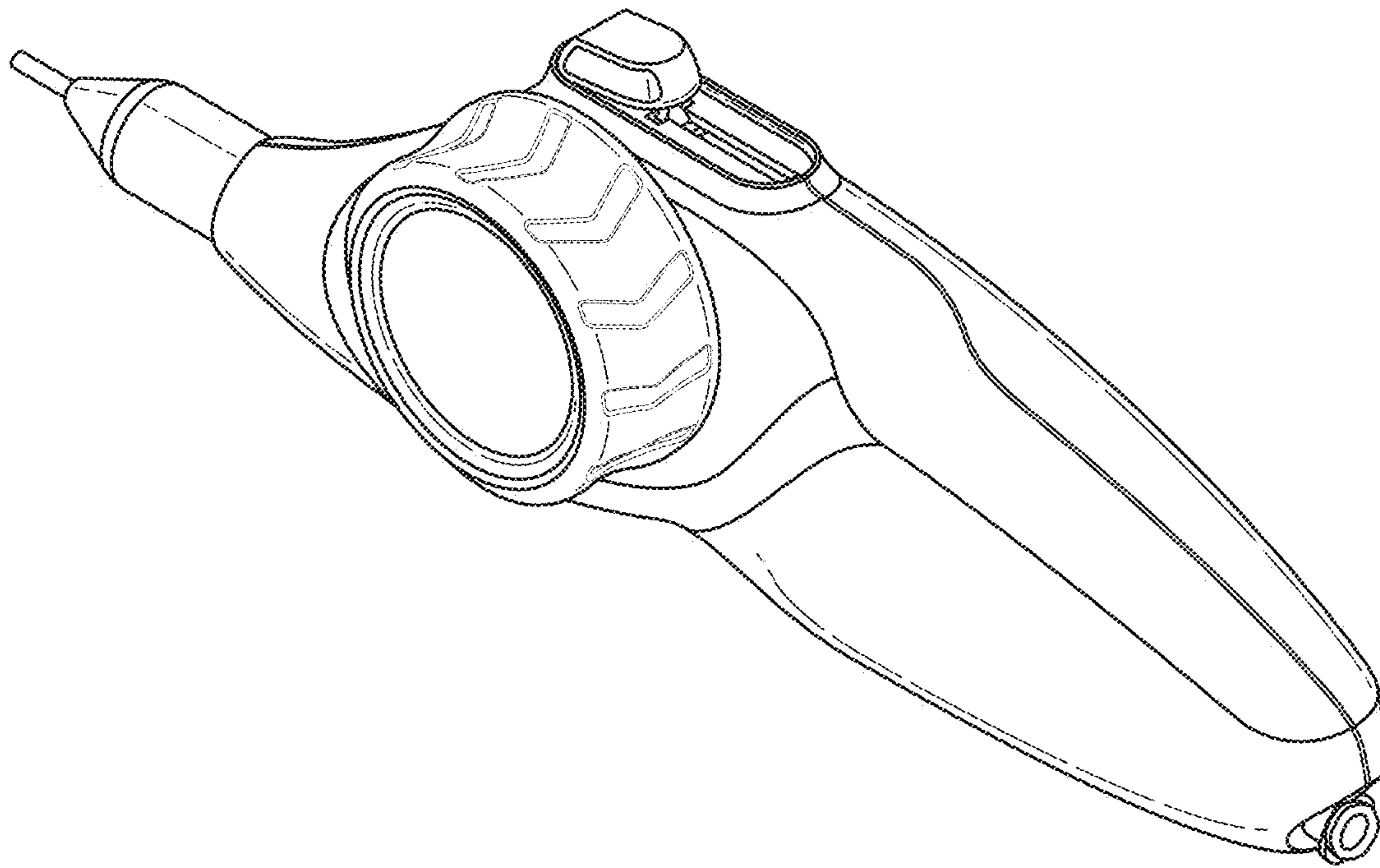


FIG. 10

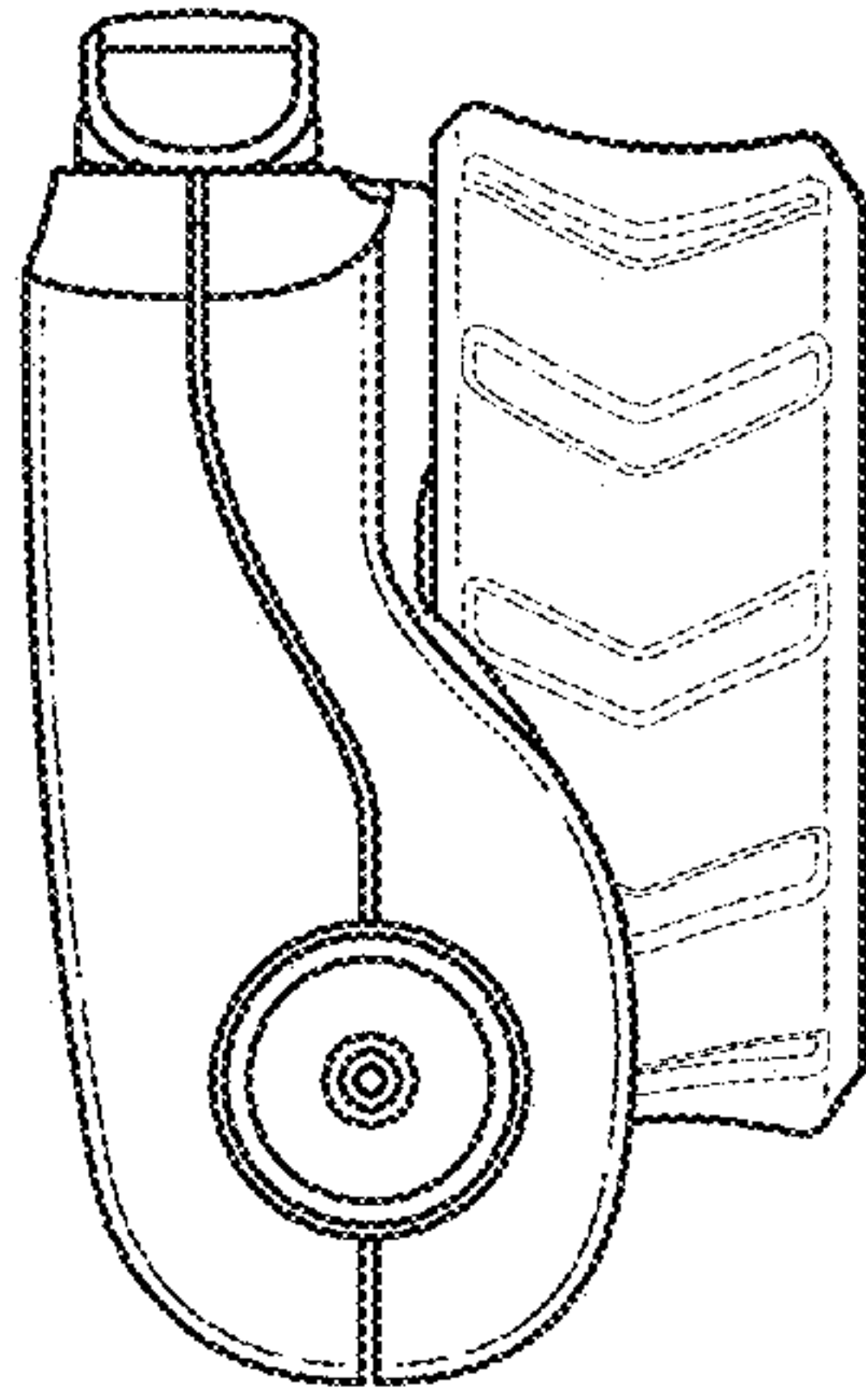


FIG. 11

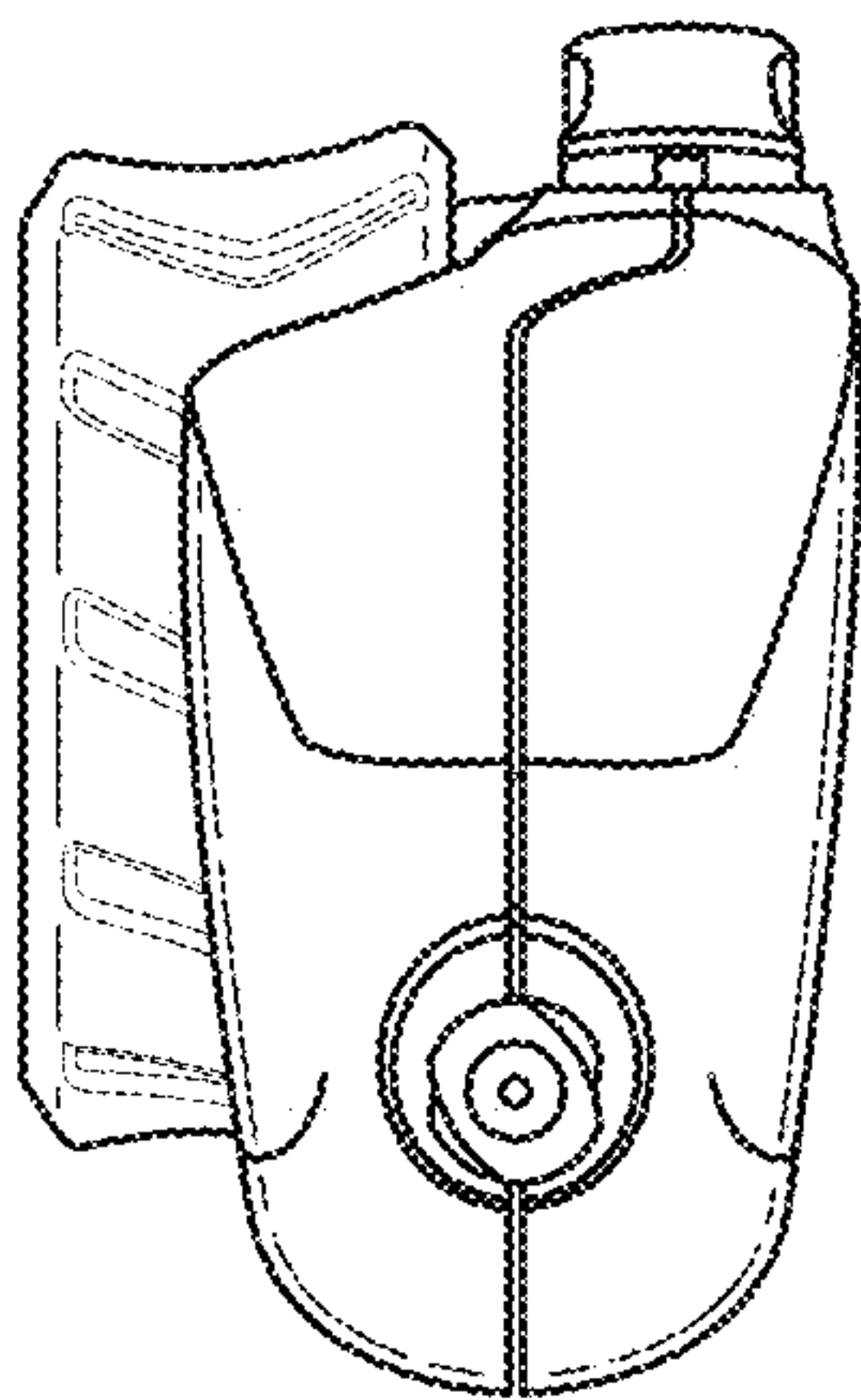


FIG. 12

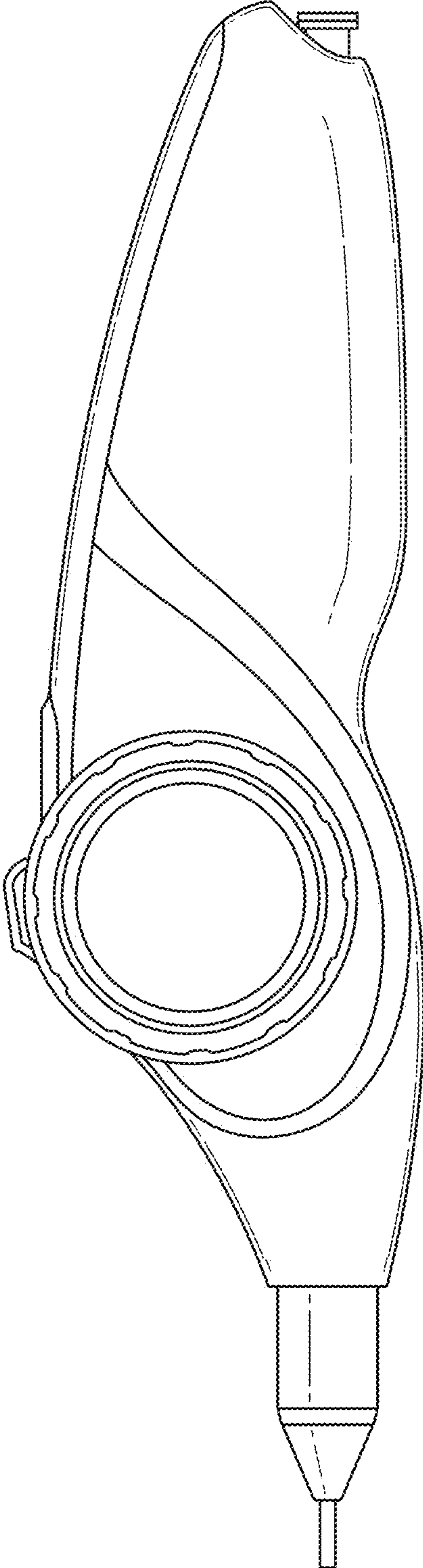


FIG. 13

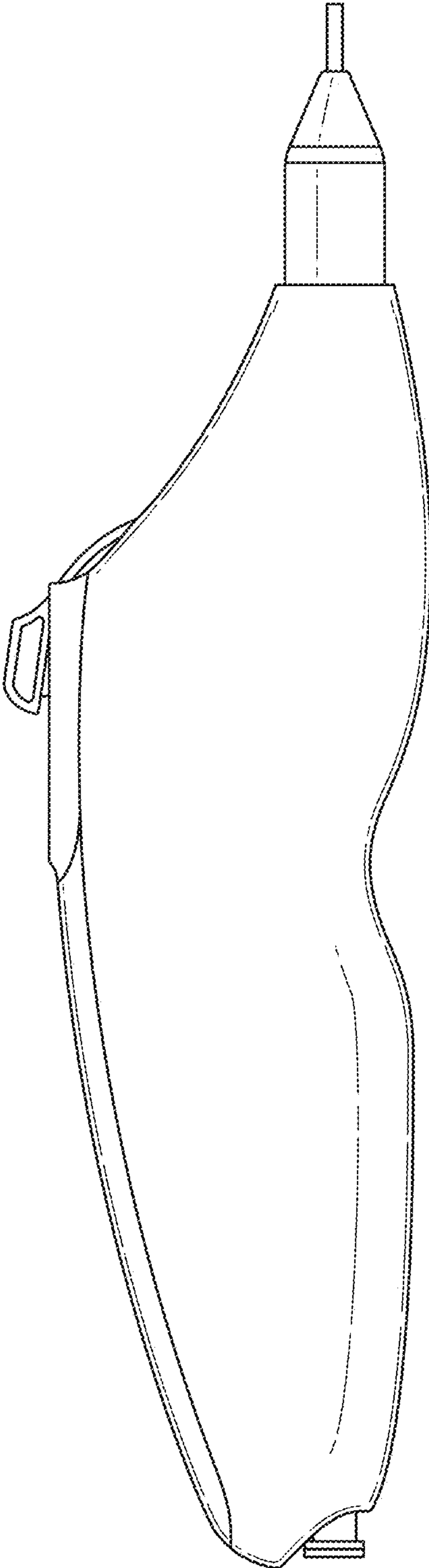


FIG. 14

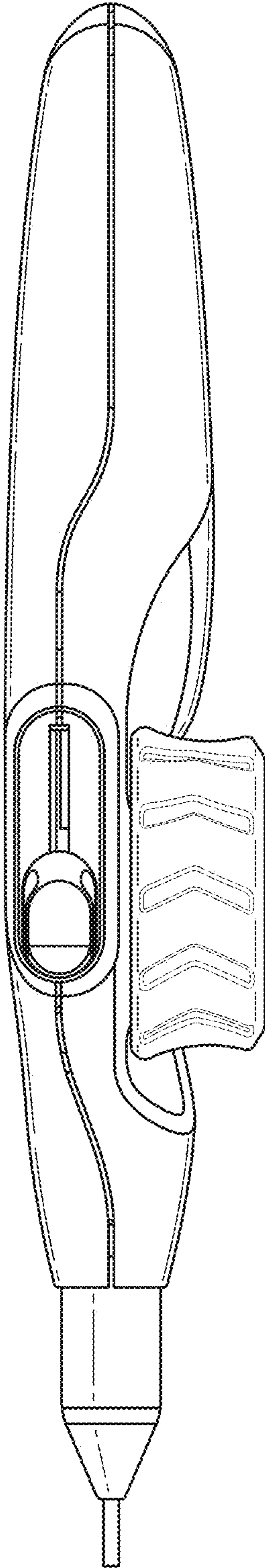


FIG. 15

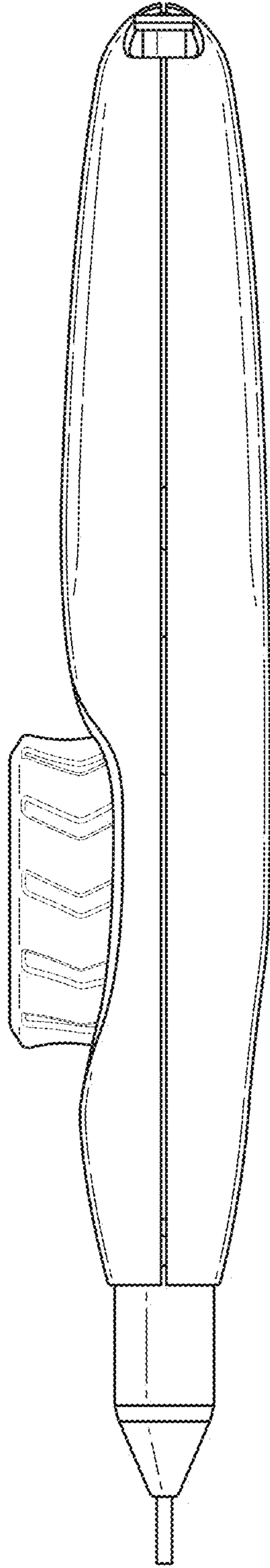


FIG. 16

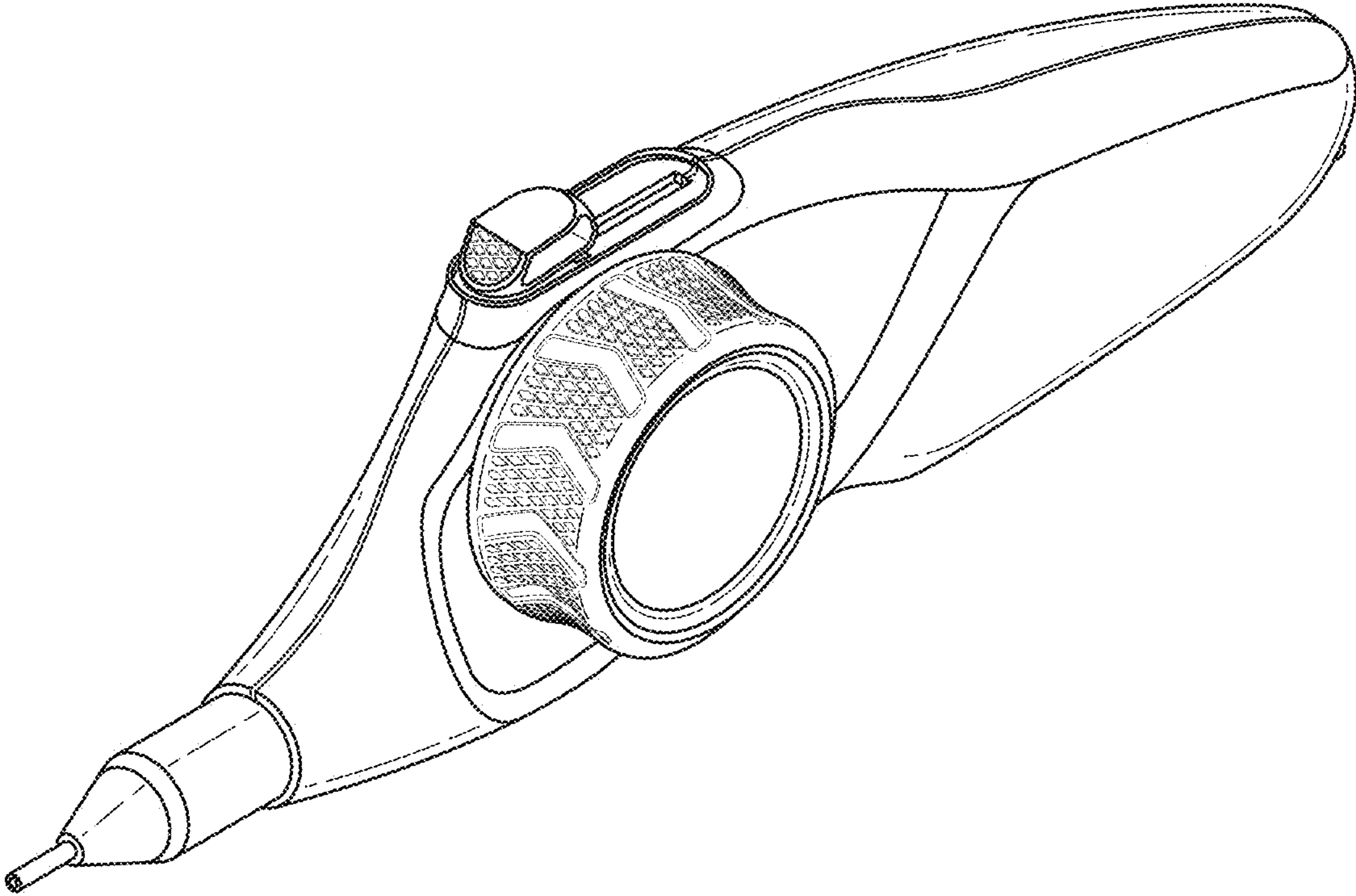


FIG. 17

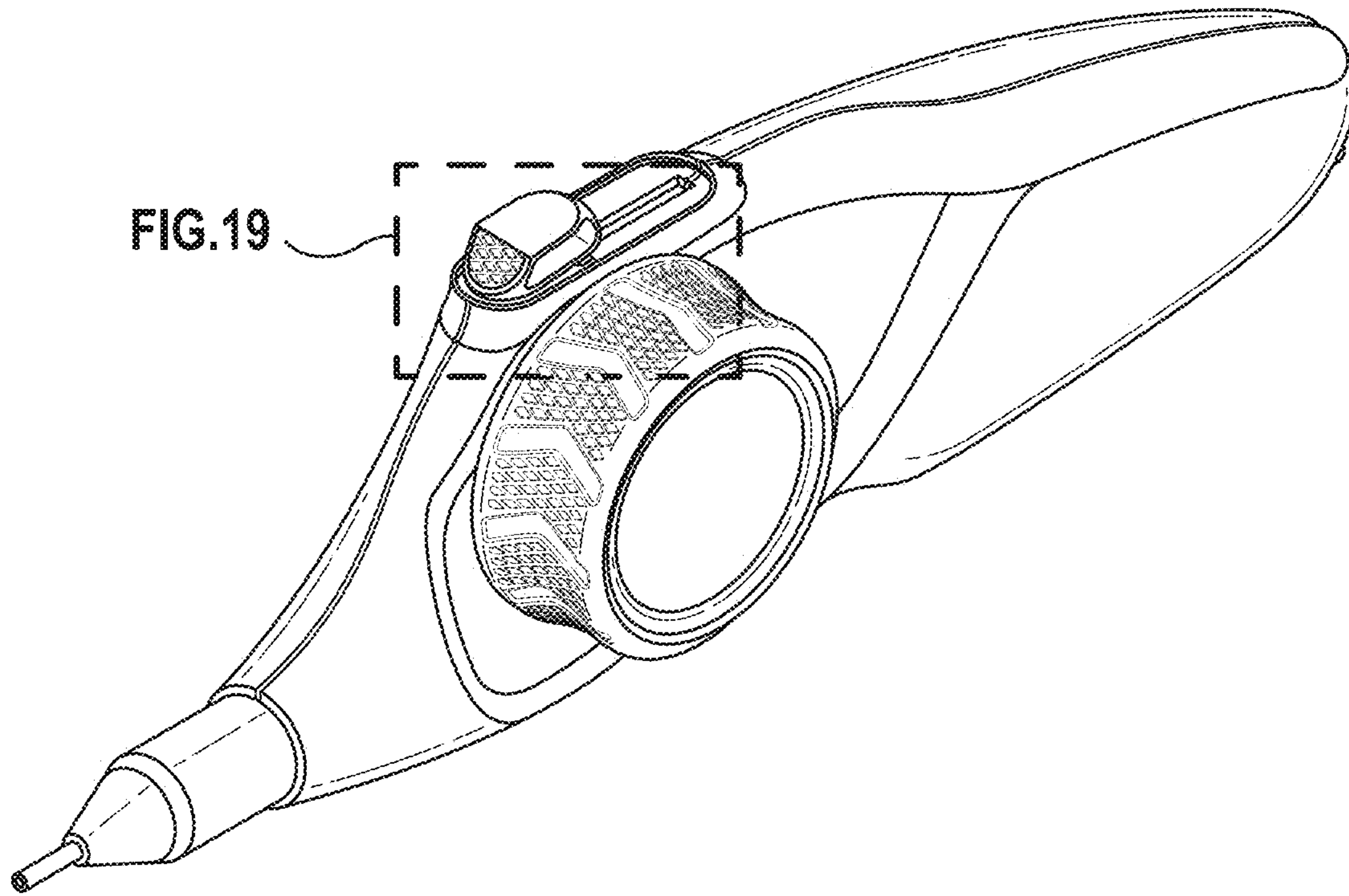


FIG. 18

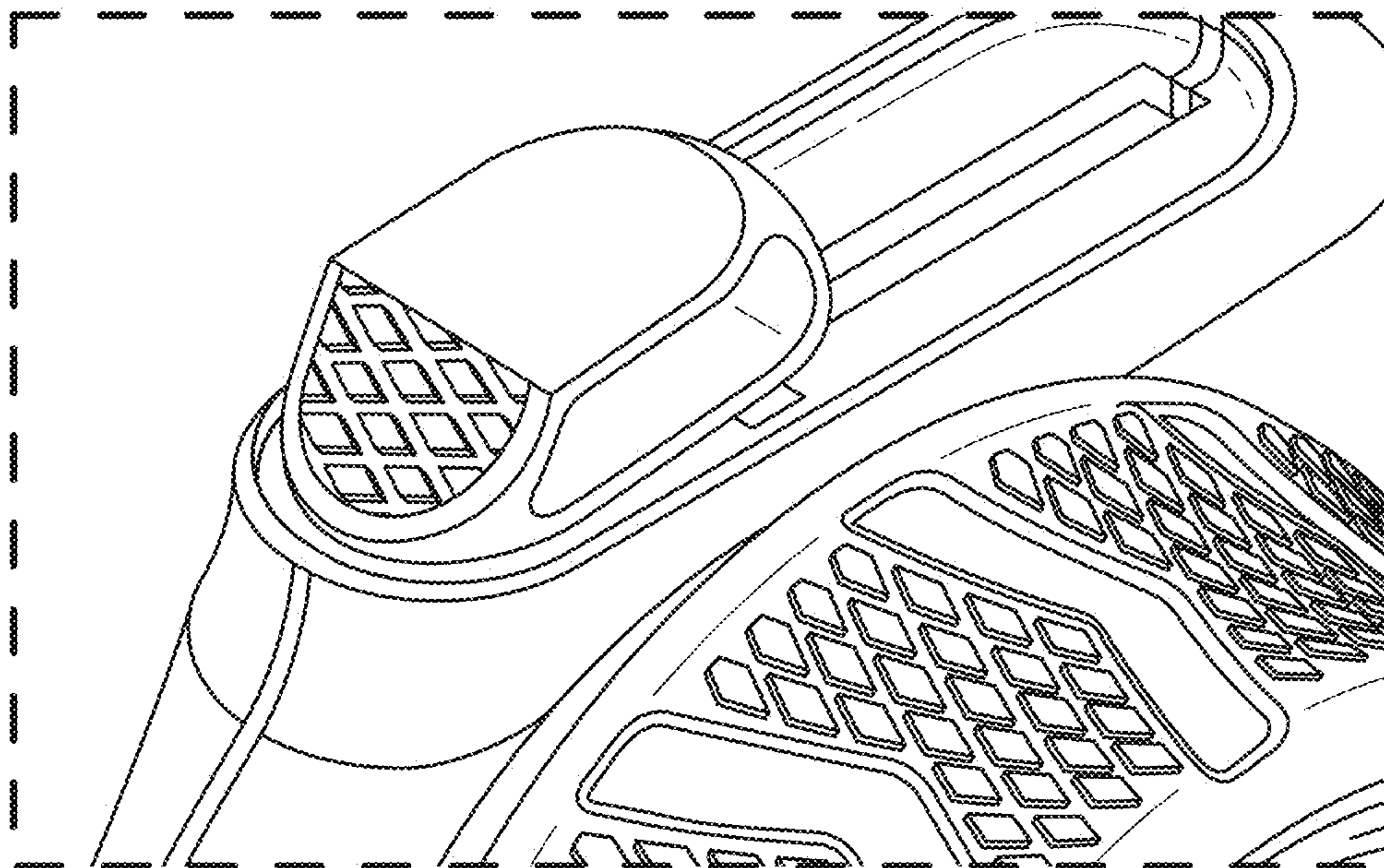


FIG. 19

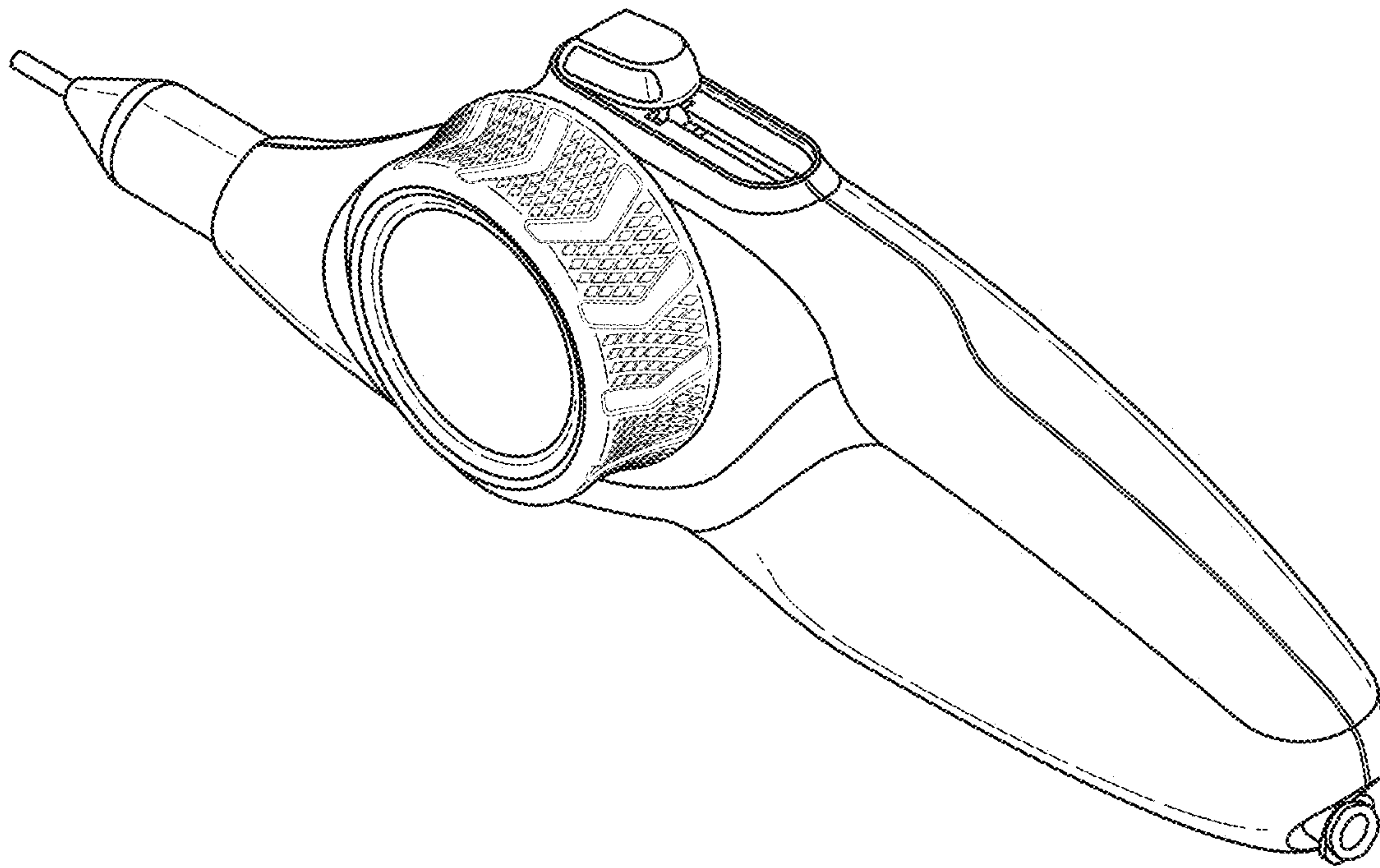


FIG. 20

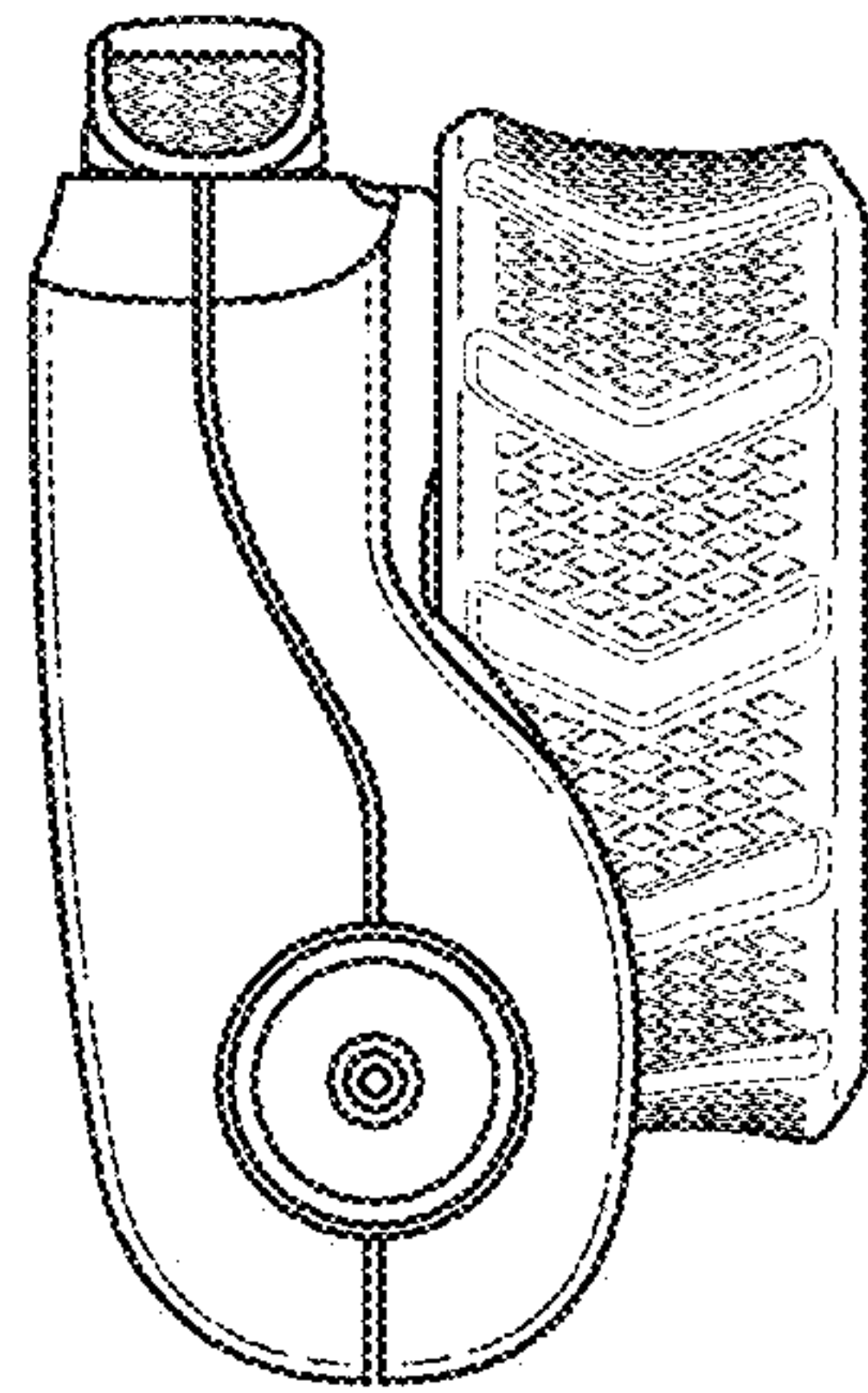


FIG. 21

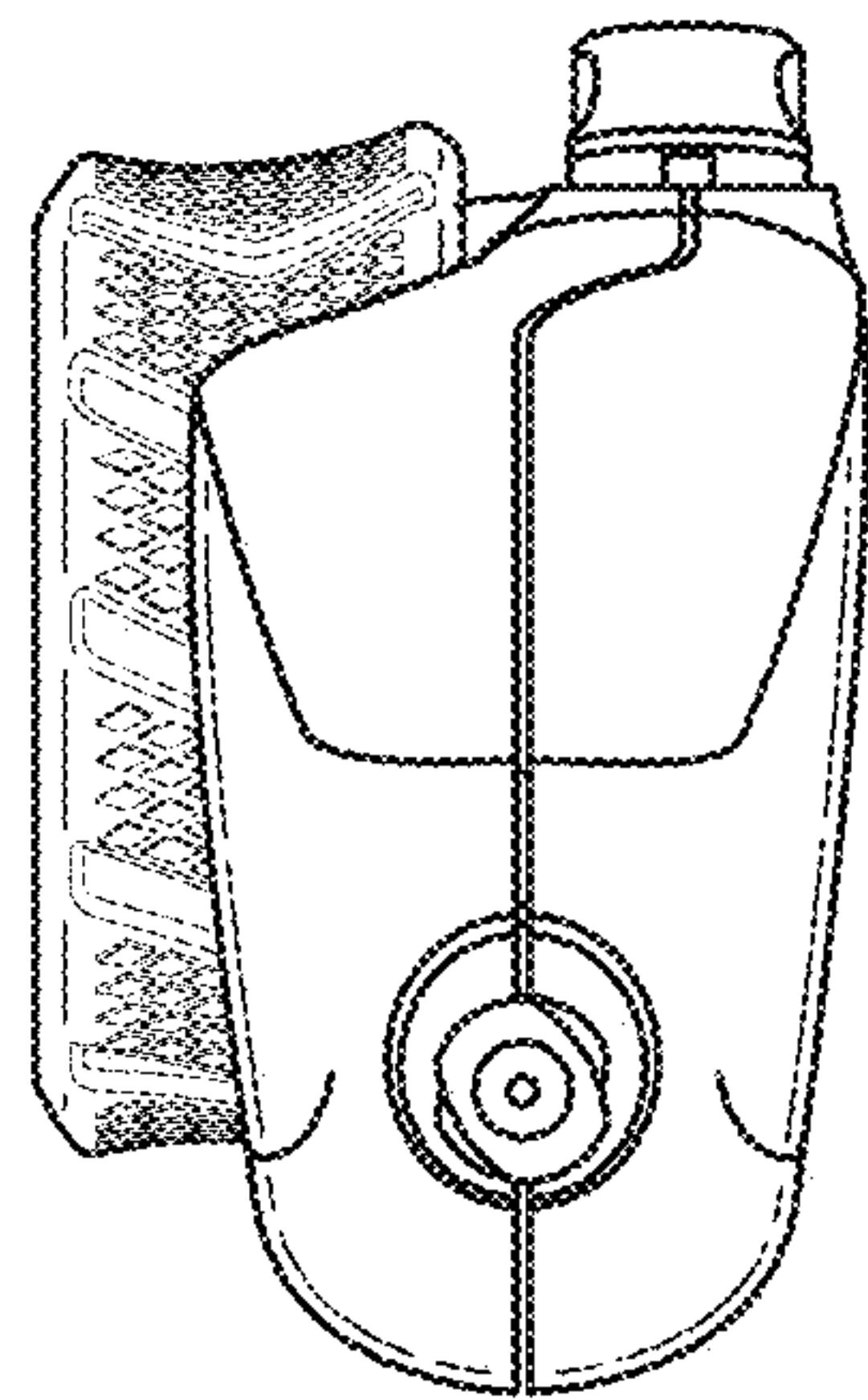


FIG. 22

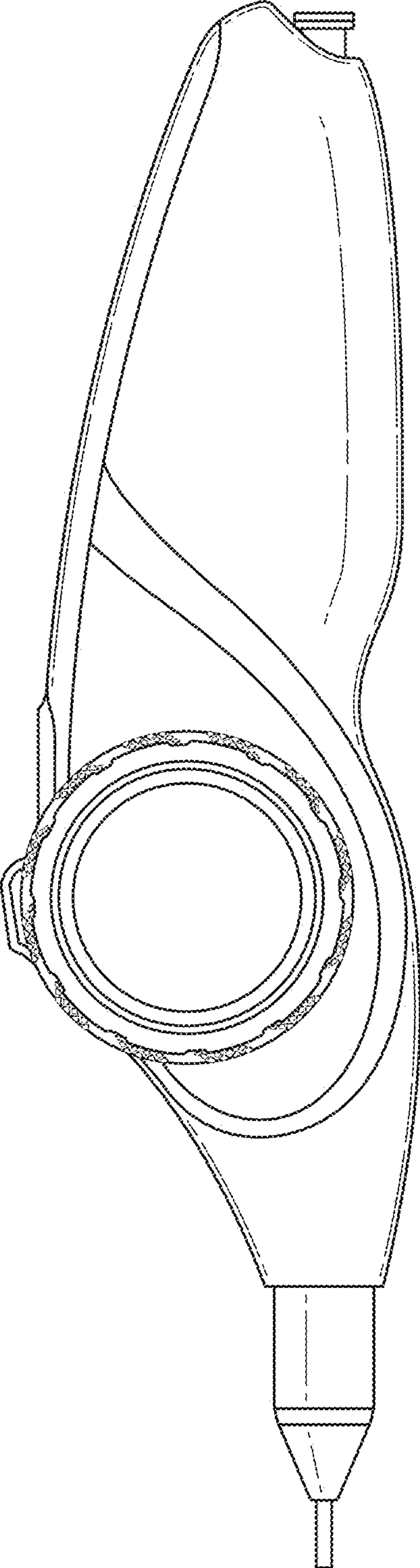


FIG. 23

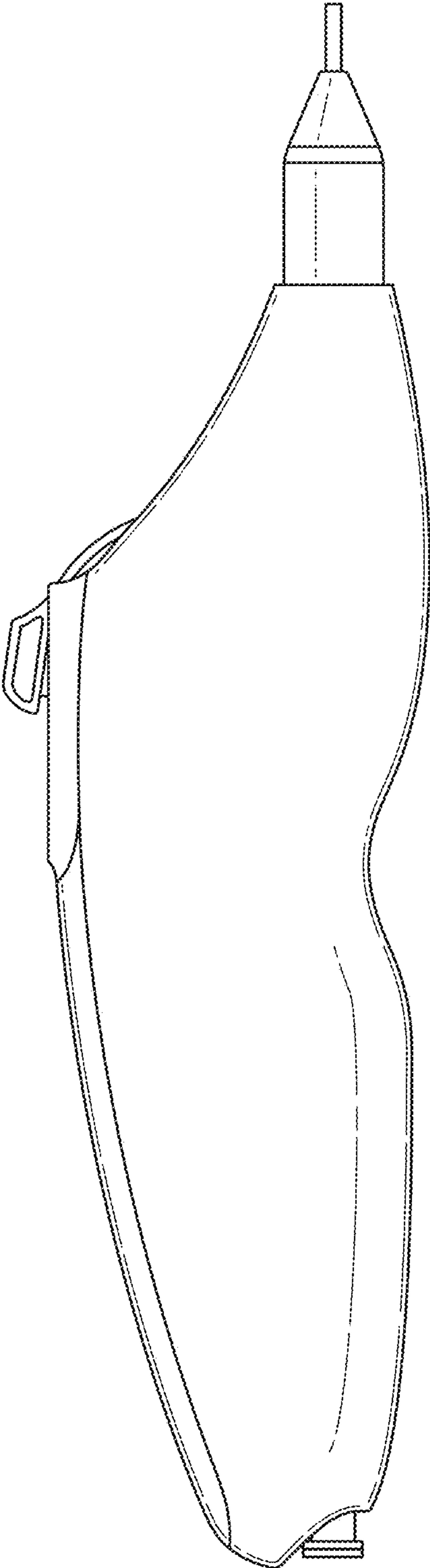


FIG. 24

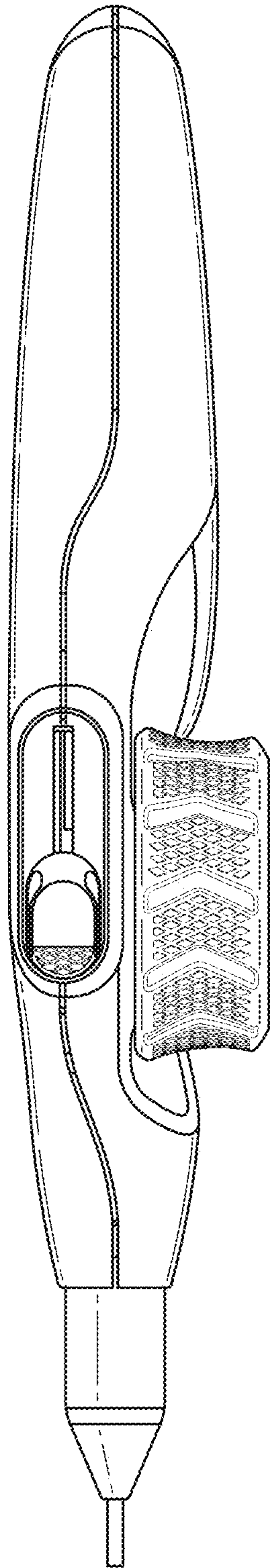


FIG. 25

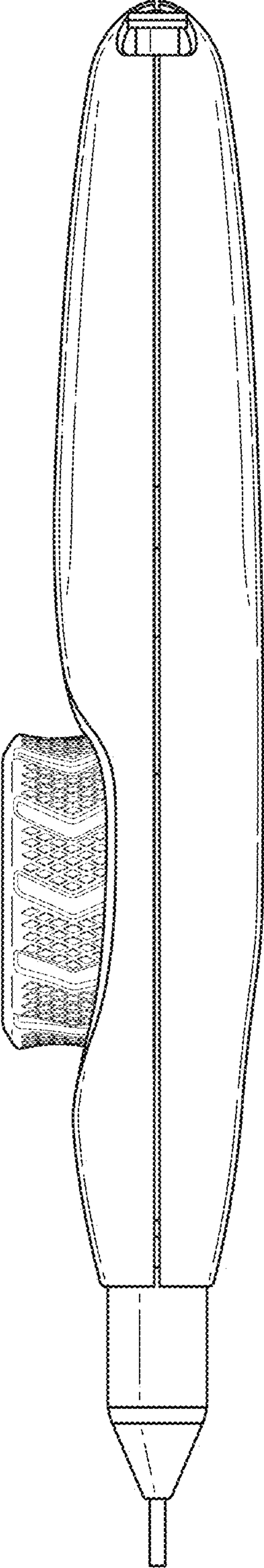


FIG. 26

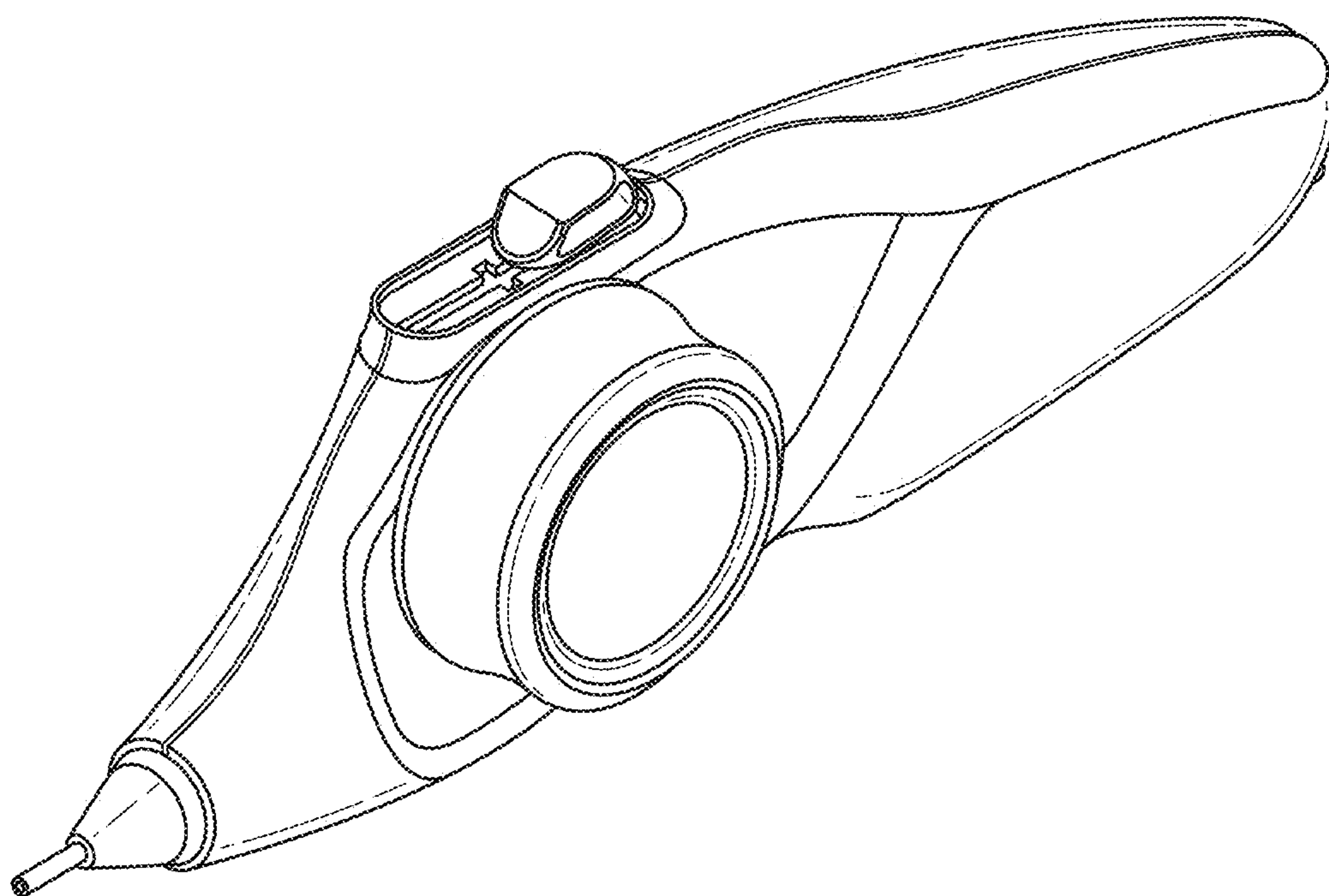


FIG. 27

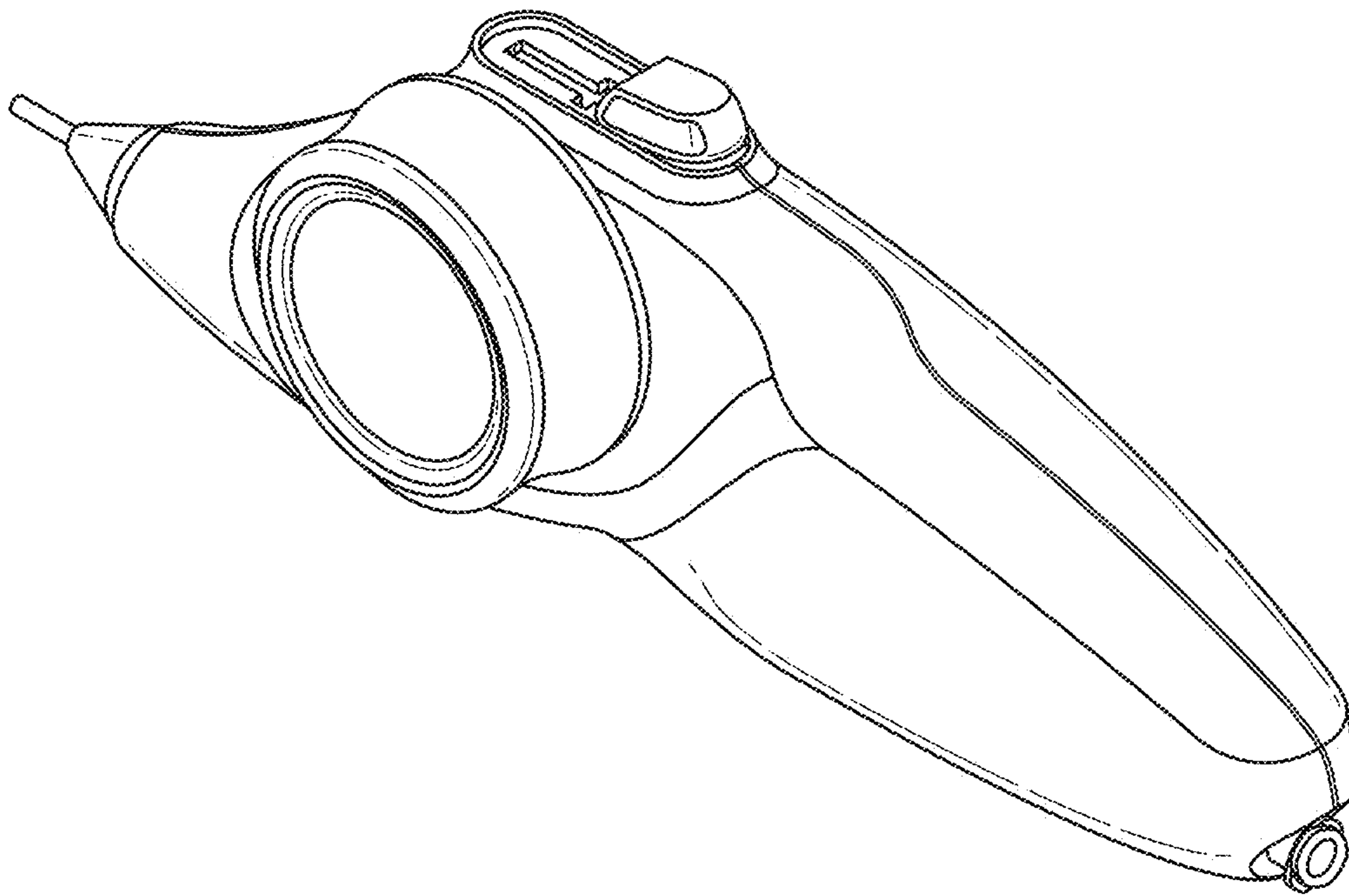


FIG. 28

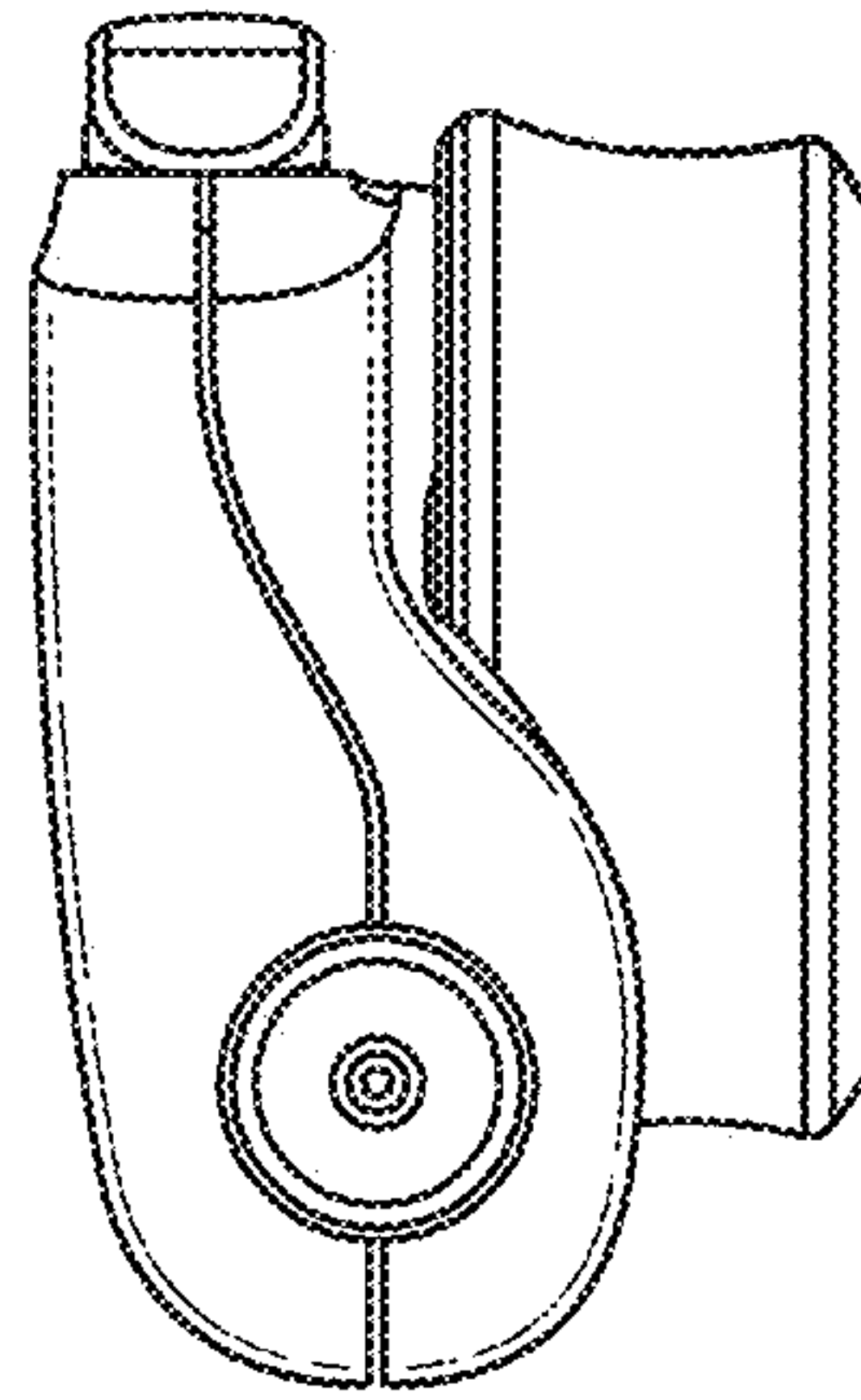


FIG. 29

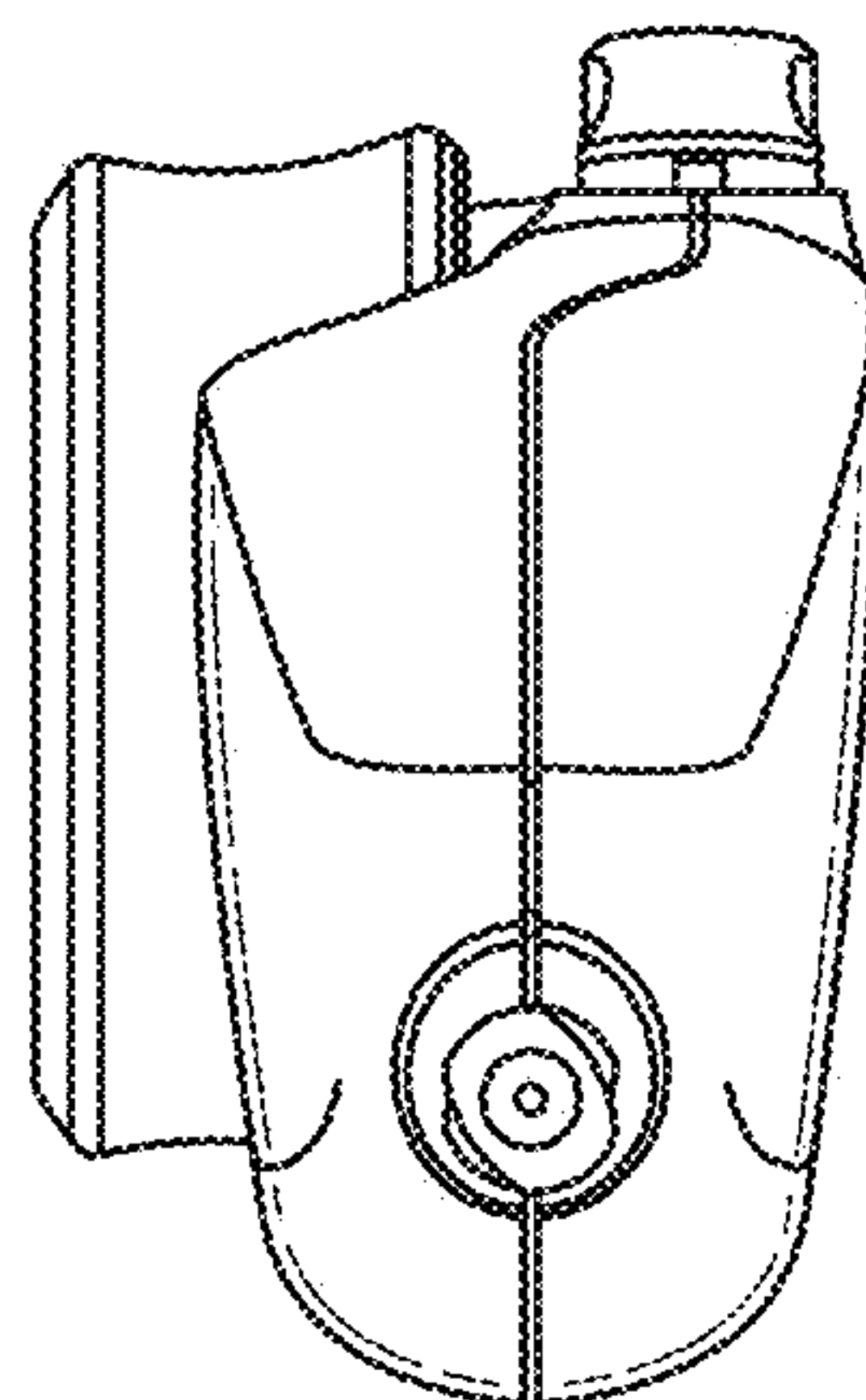


FIG. 30

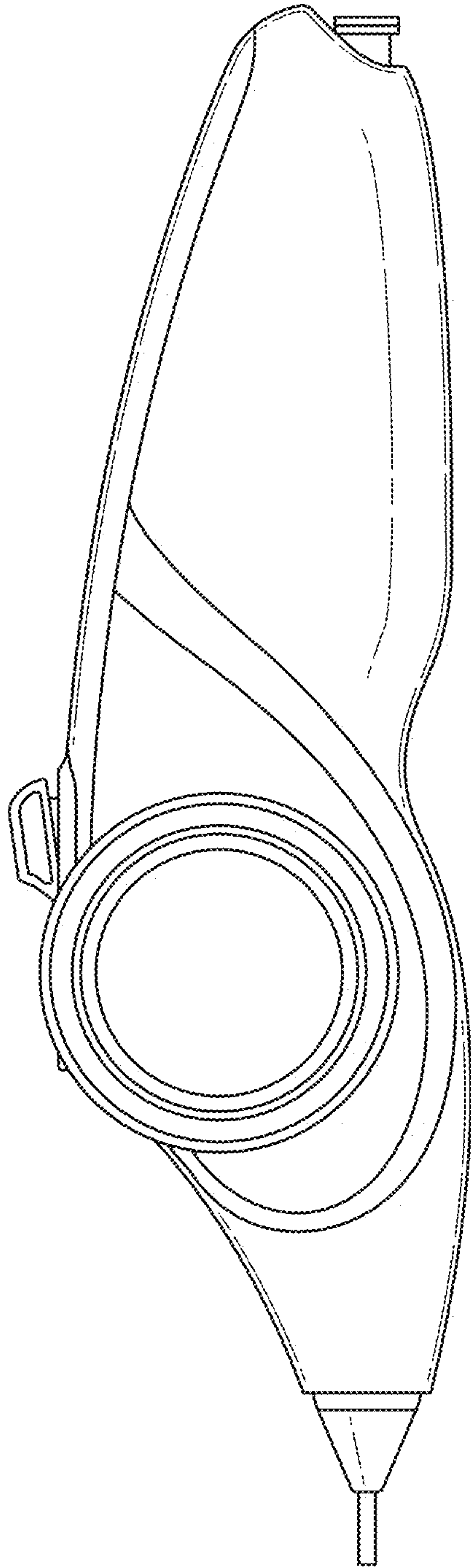


FIG. 31

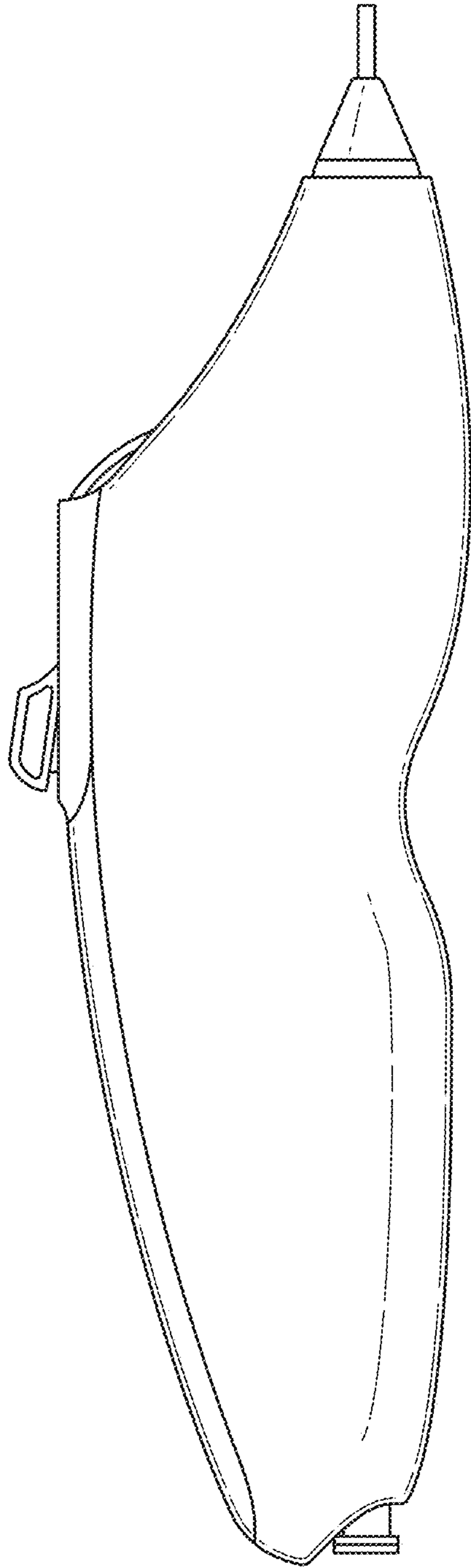


FIG. 32

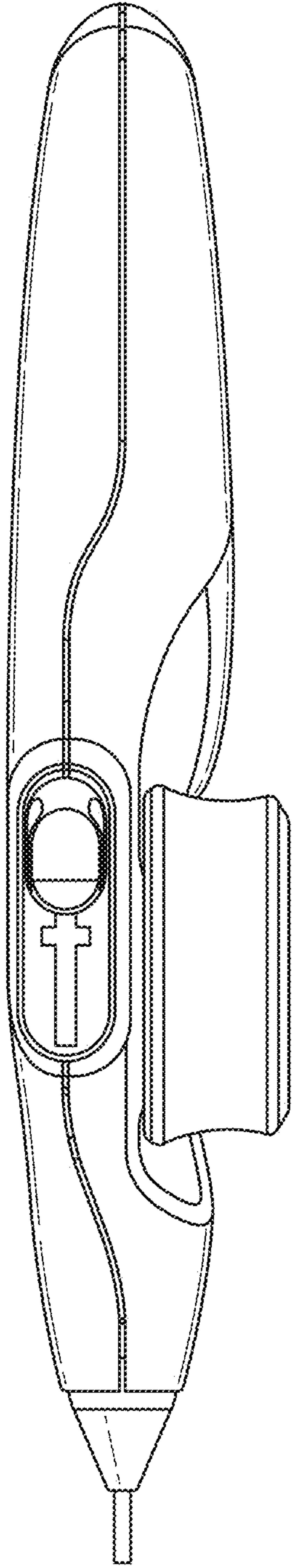


FIG. 33

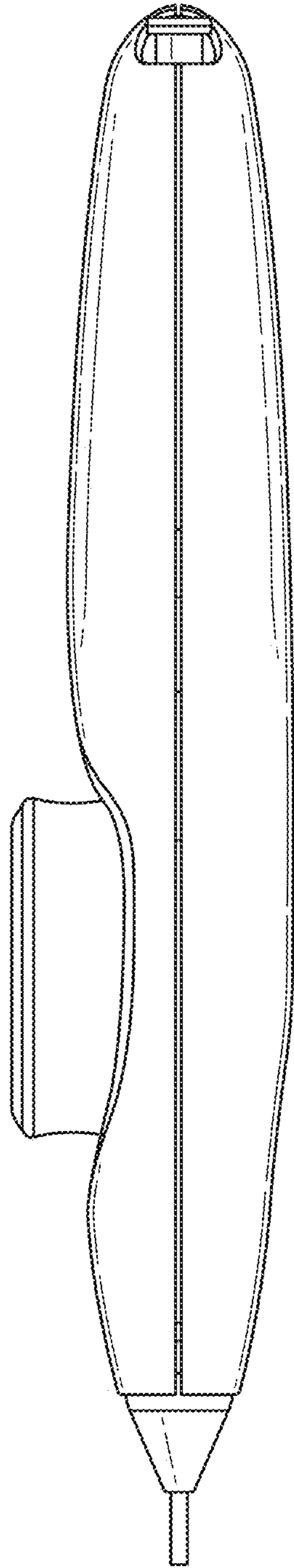


FIG. 34

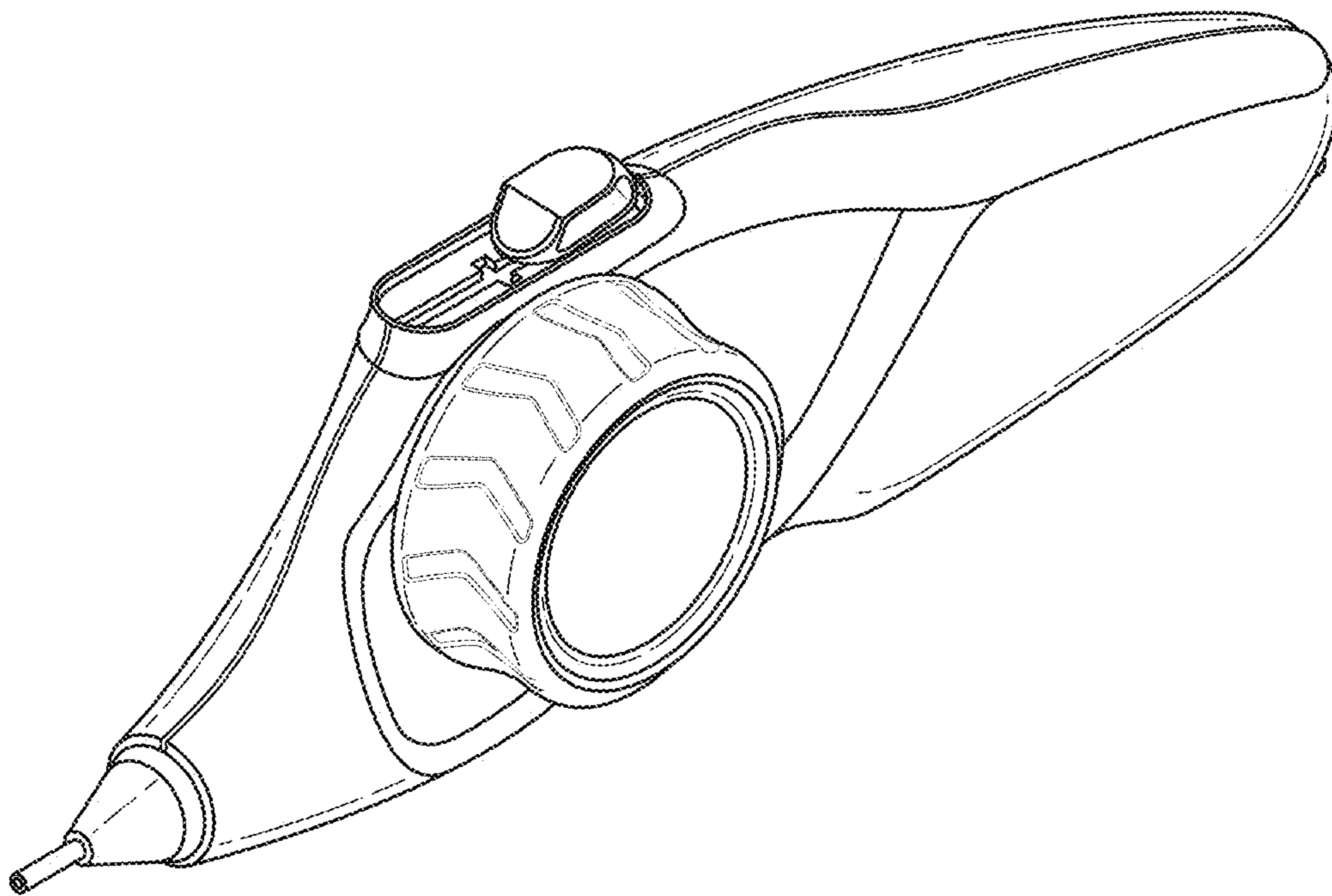


FIG. 35

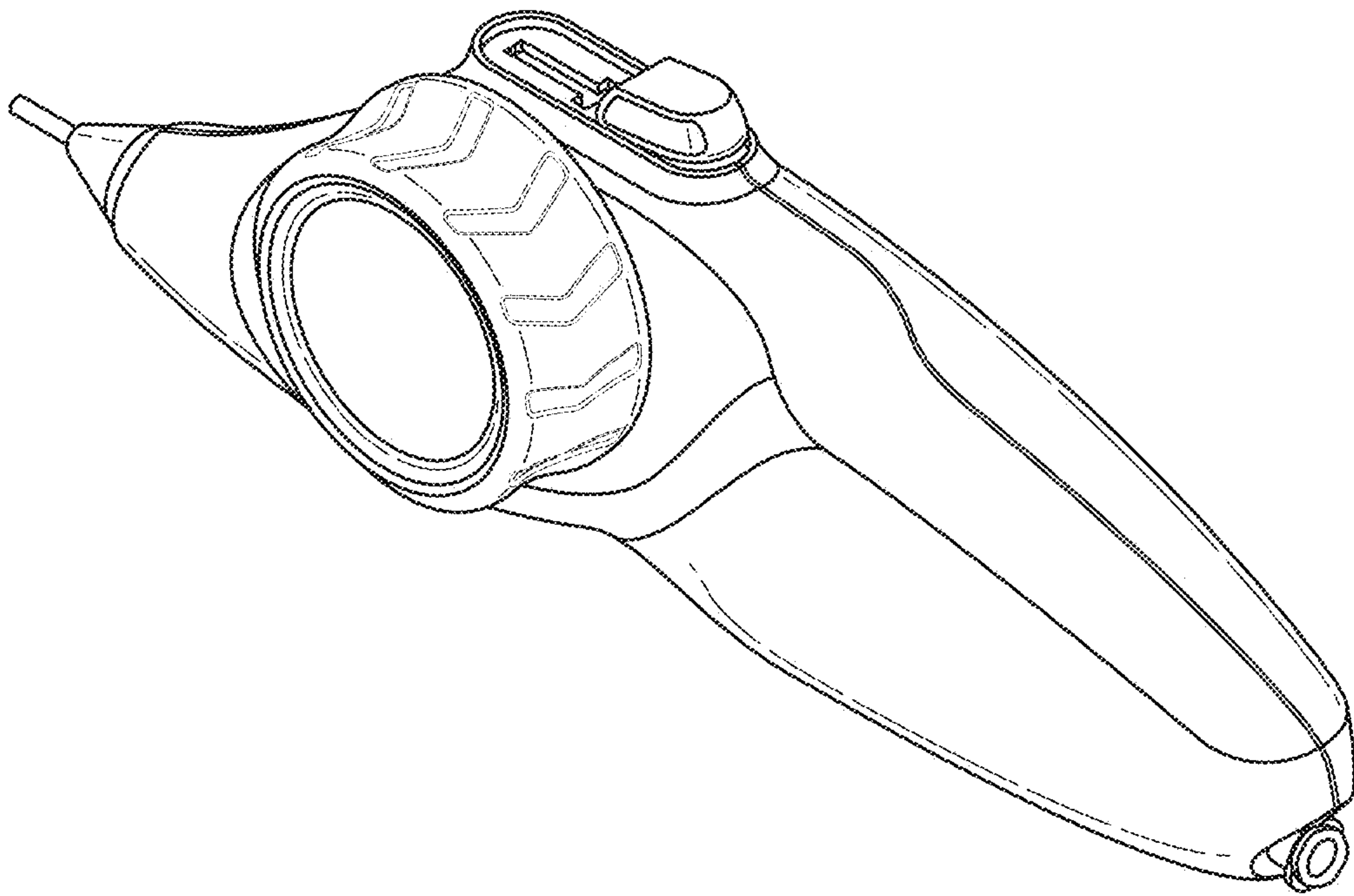


FIG. 36

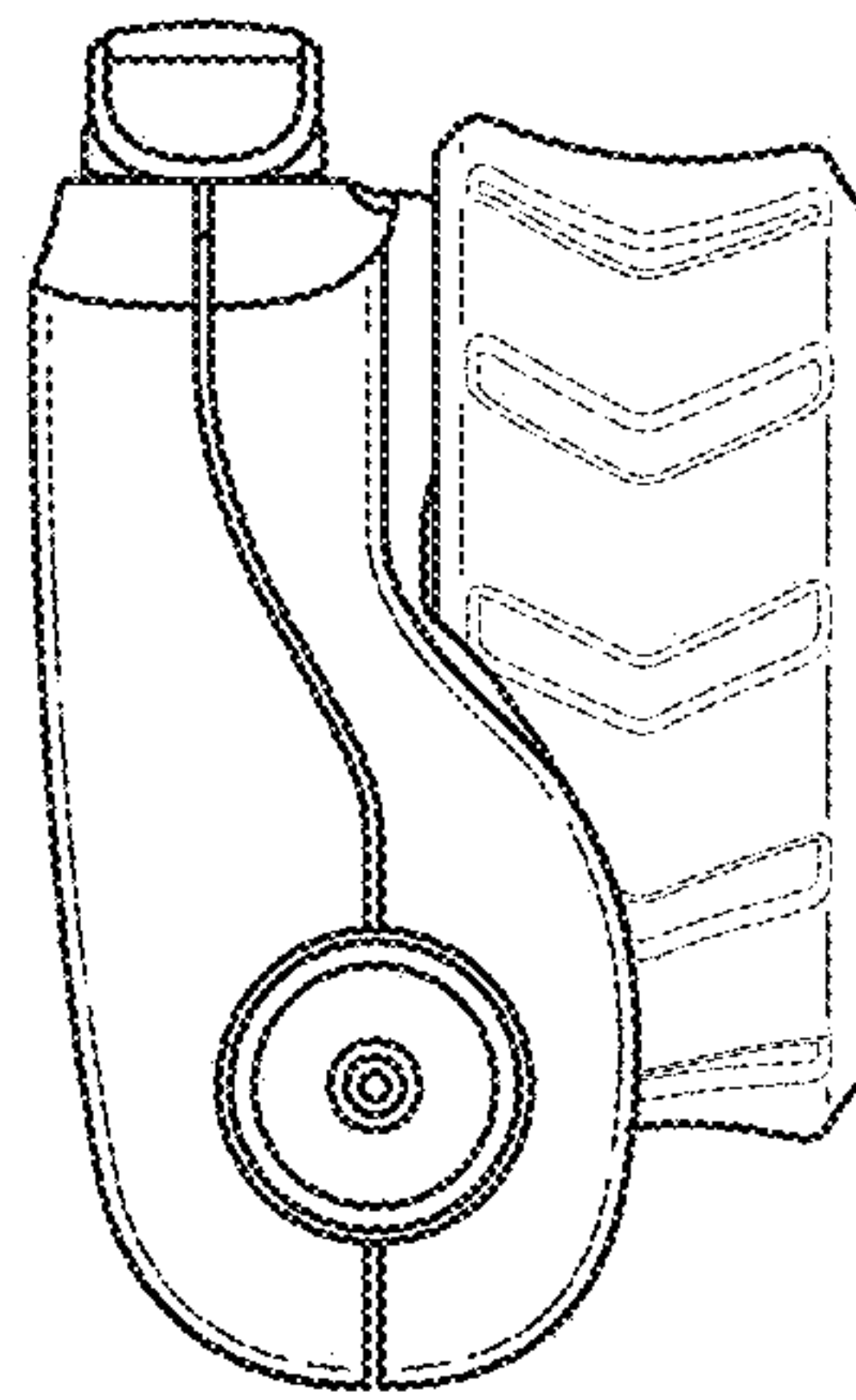


FIG. 37

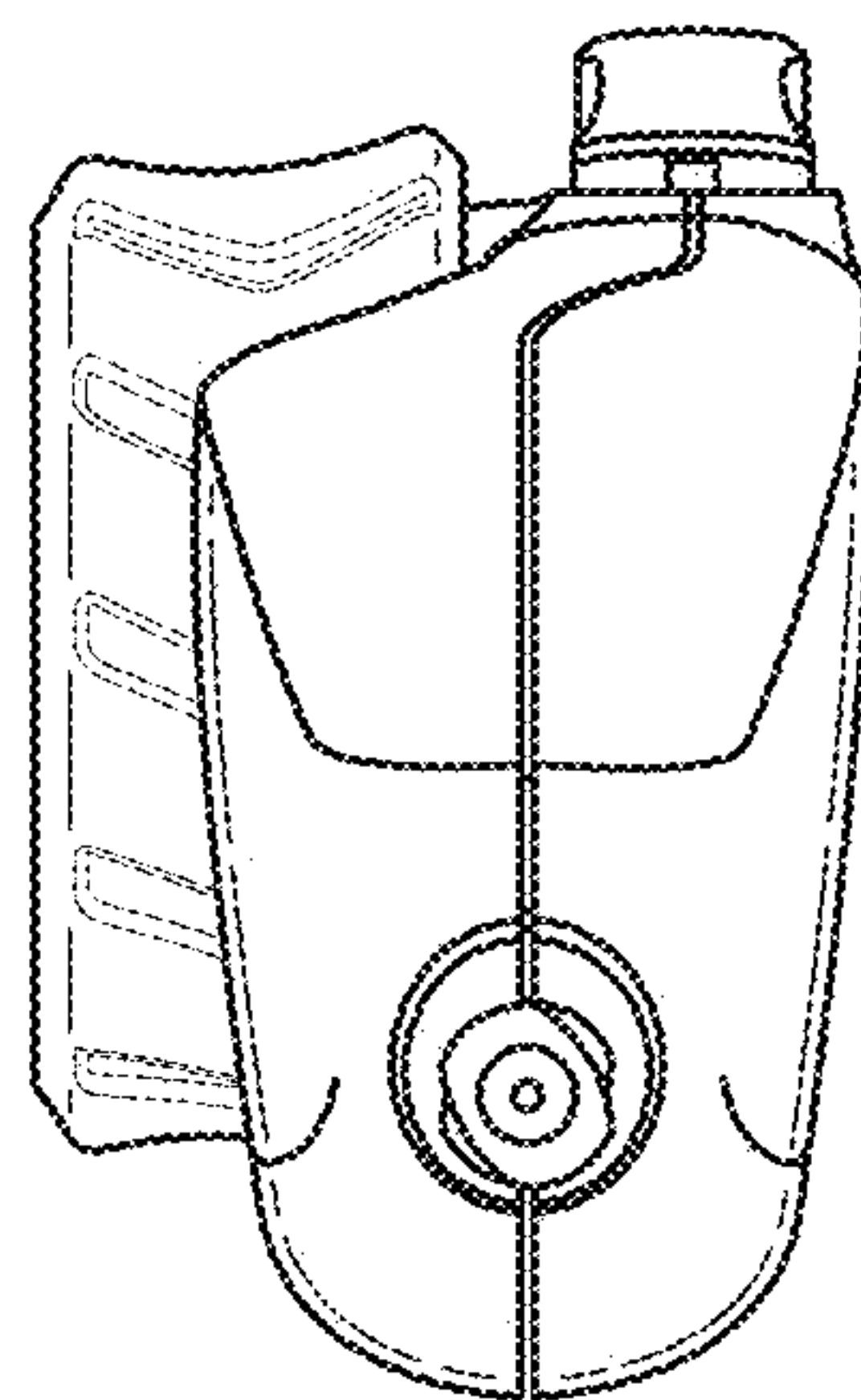


FIG. 38

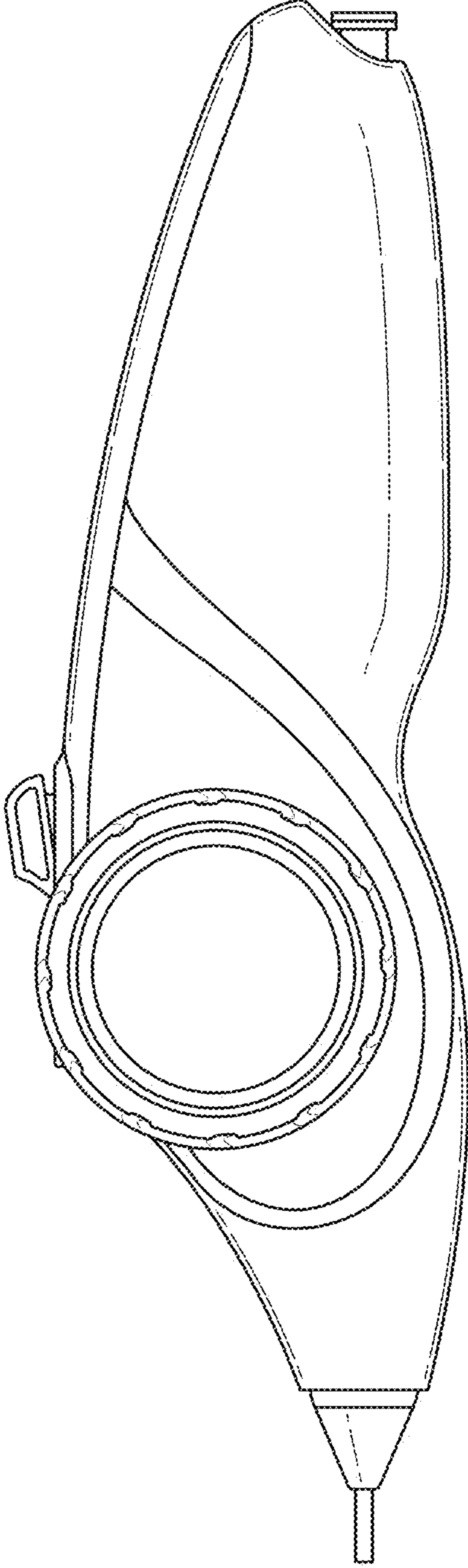


FIG. 39

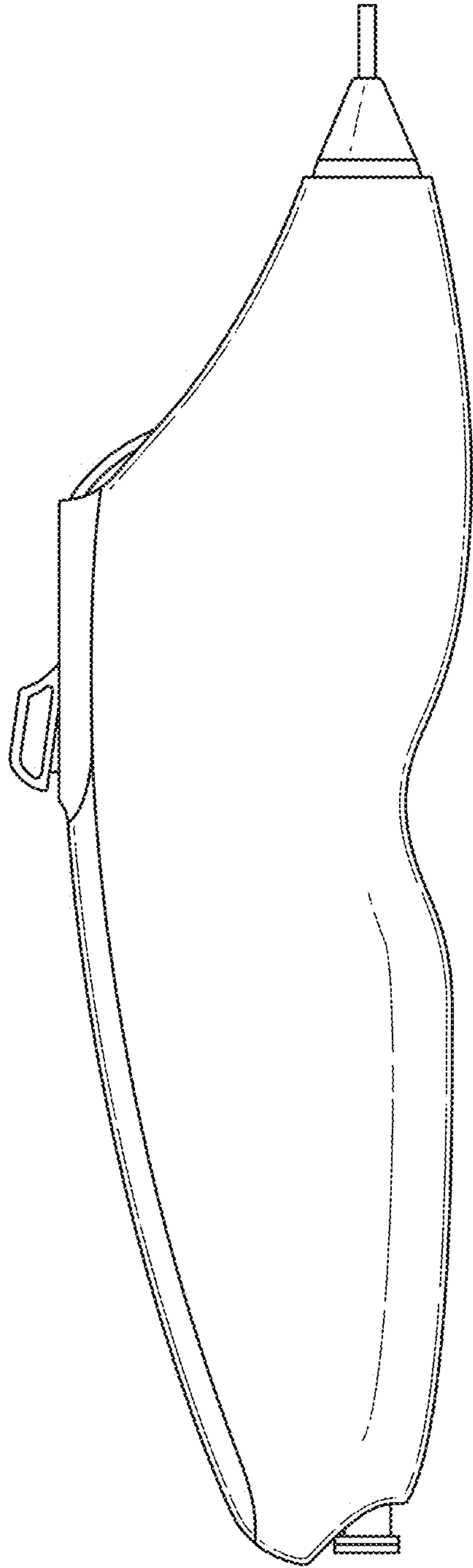


FIG. 40

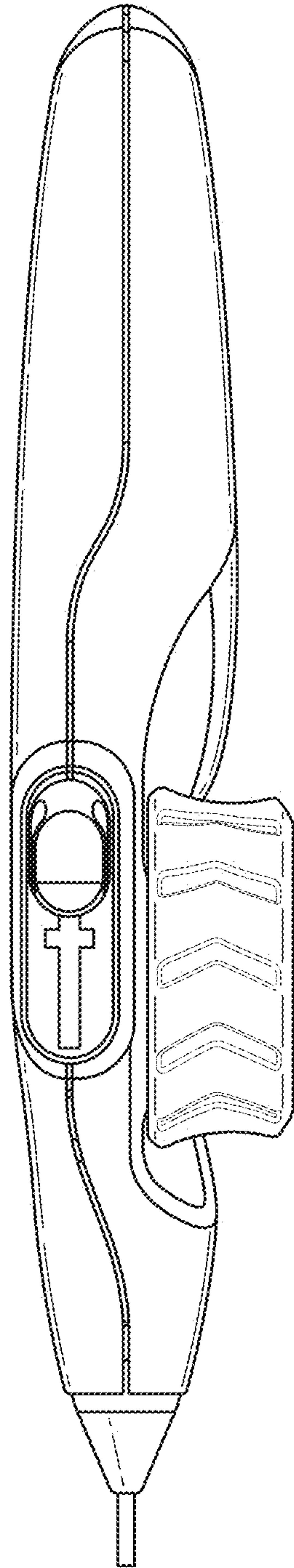


FIG. 41

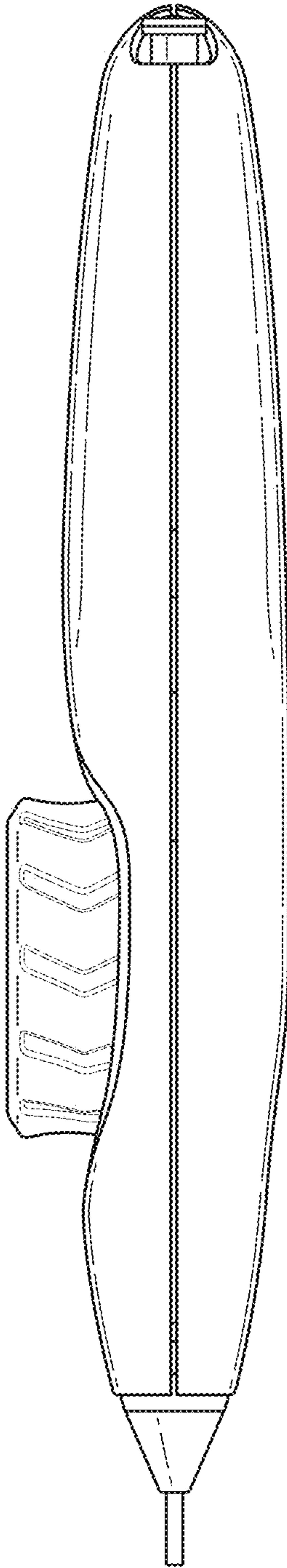


FIG. 42

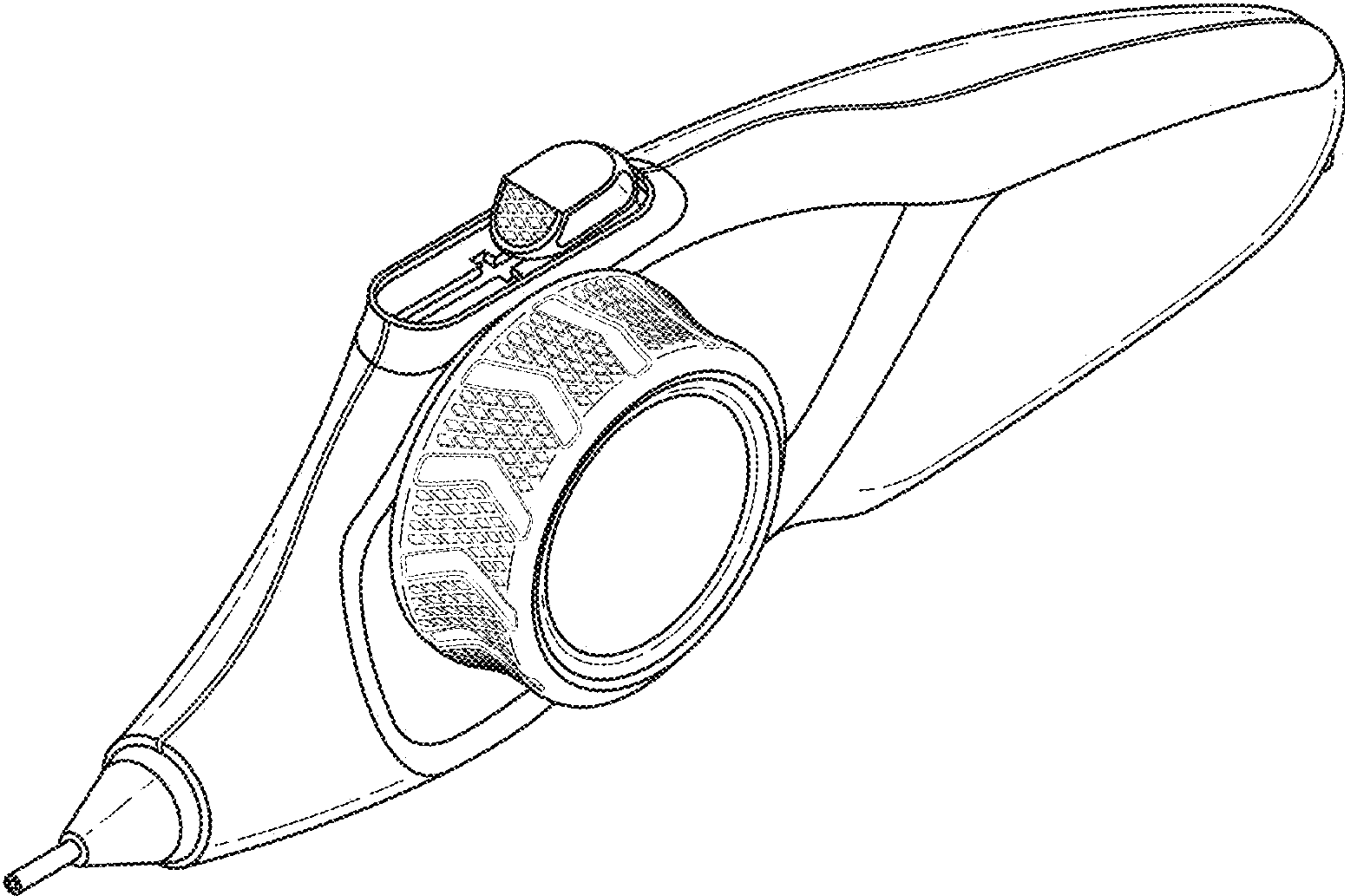


FIG. 43

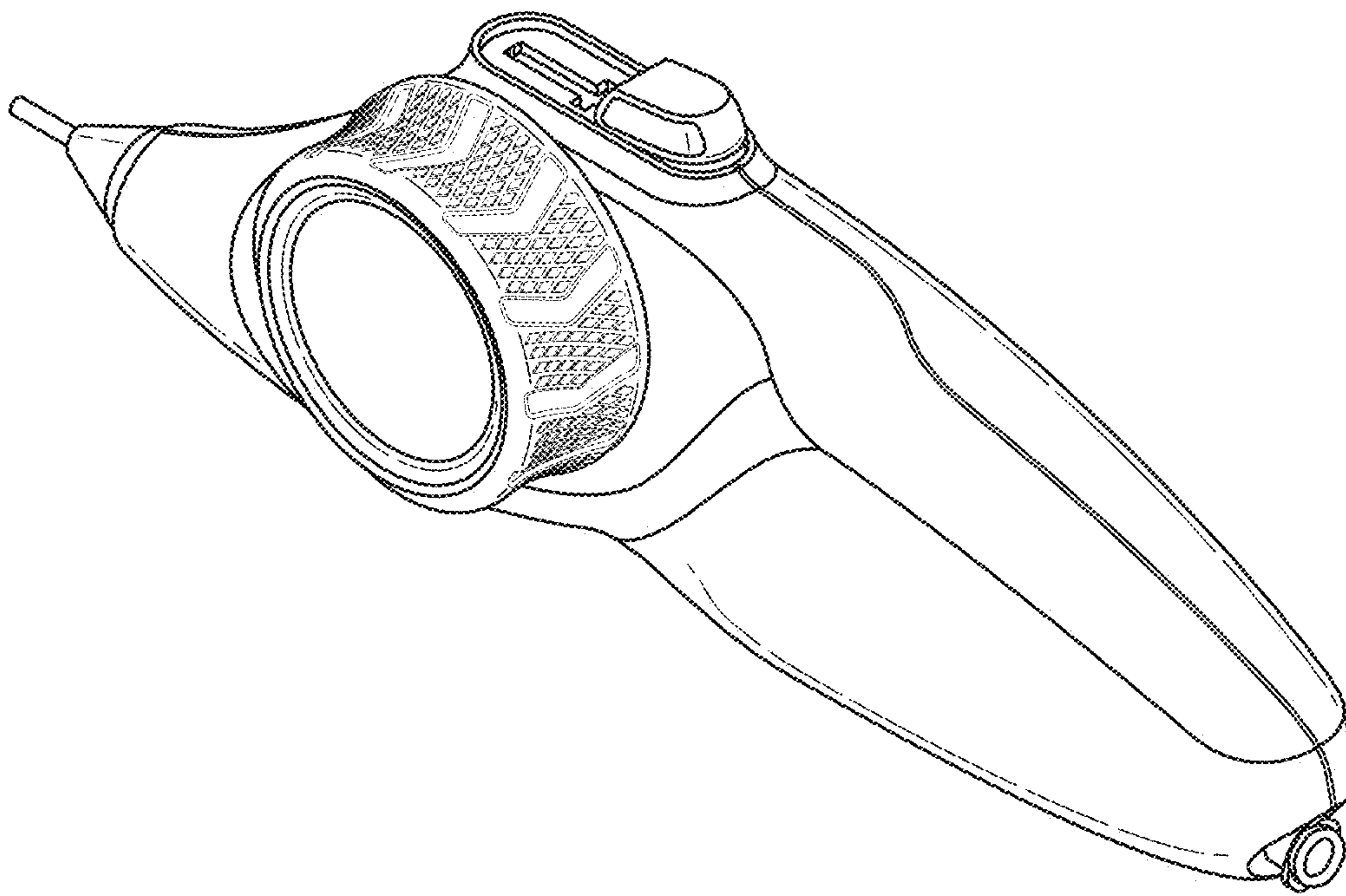


FIG. 44

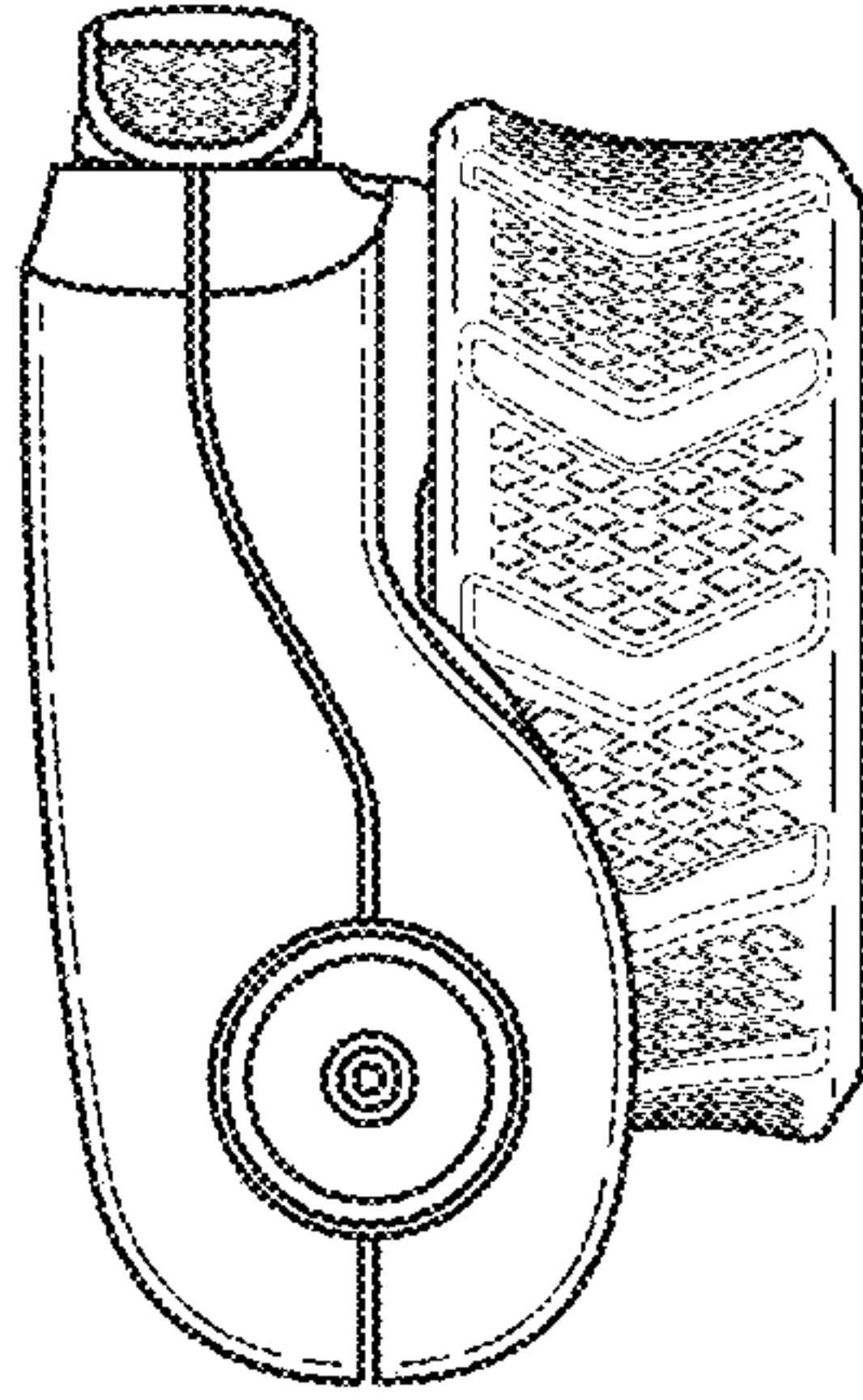


FIG. 45

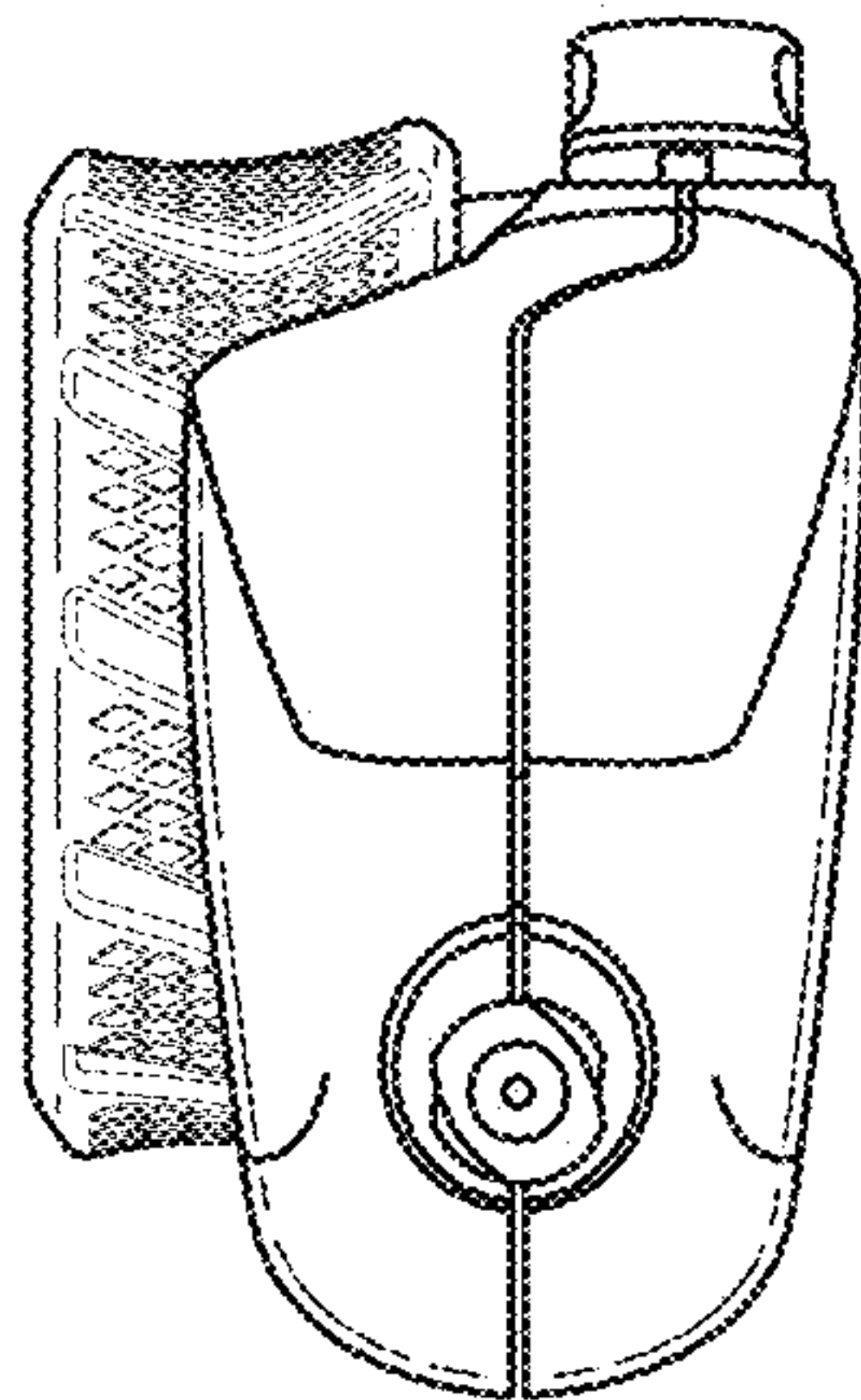


FIG. 46

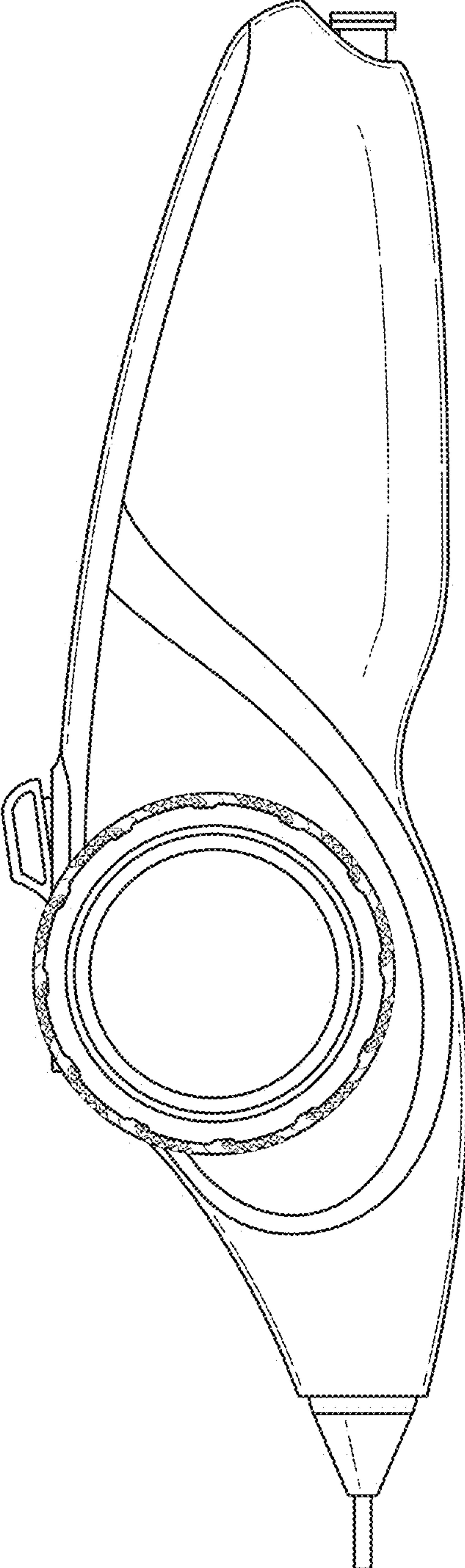


FIG. 47

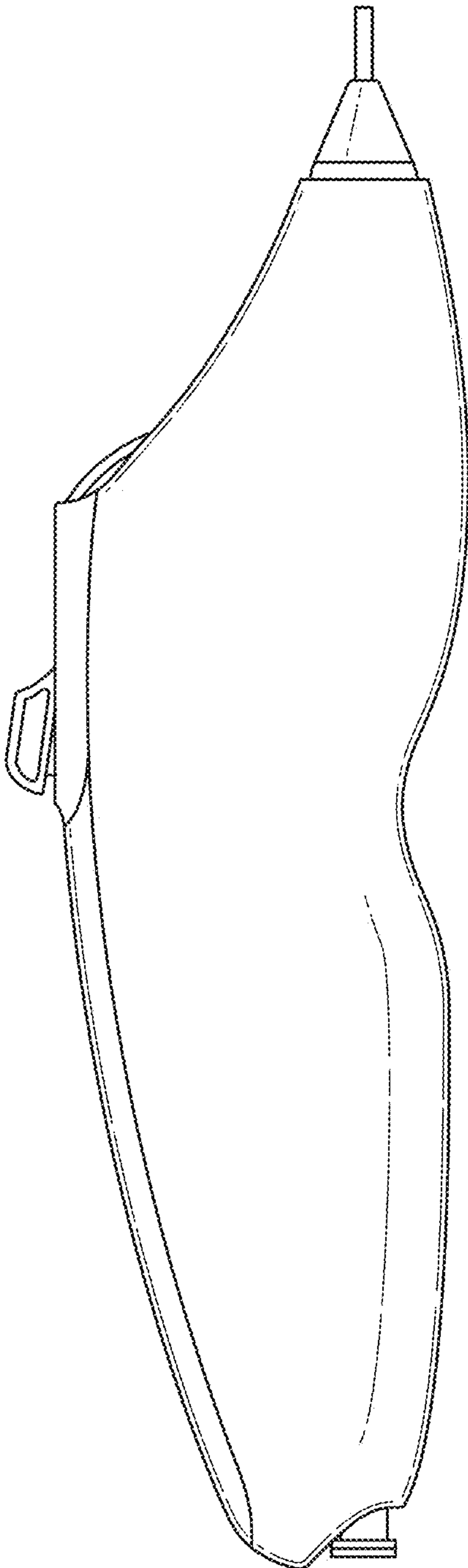


FIG. 48

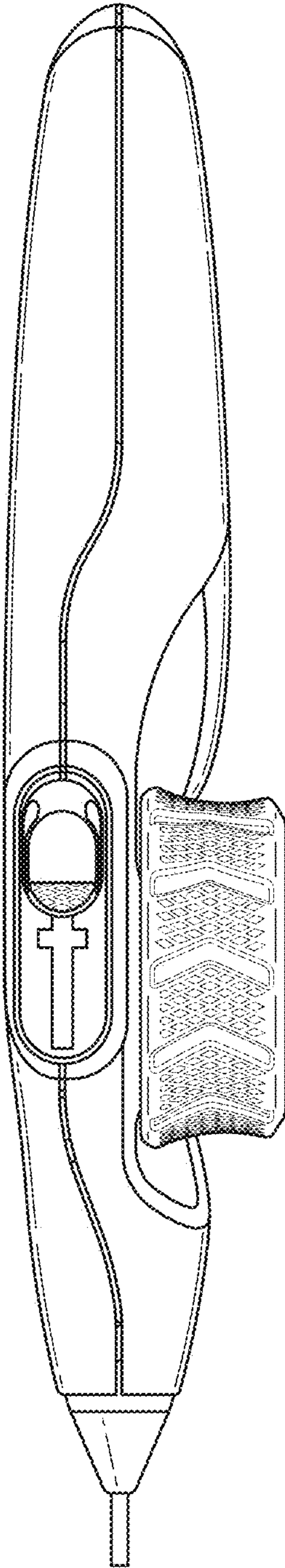


FIG. 49

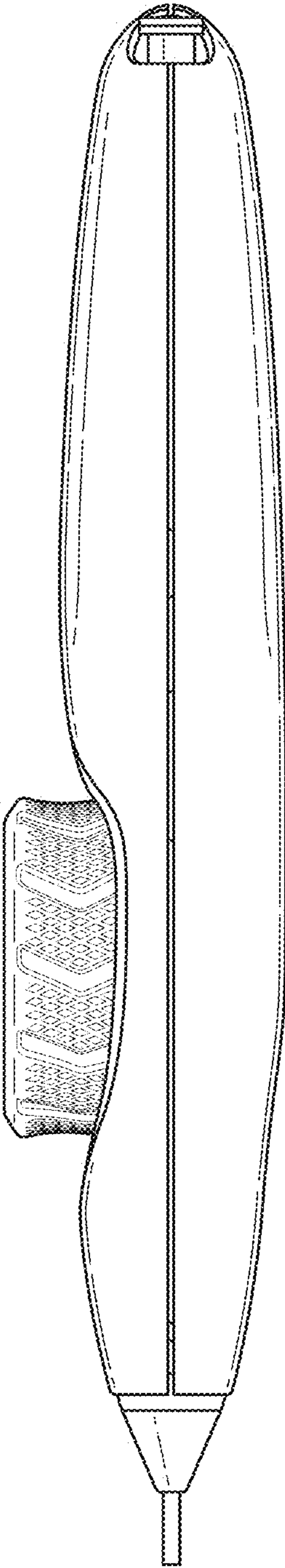


FIG. 50