



US00D919803S

(12) **United States Design Patent**
Yabe et al.

(10) **Patent No.:** **US D919,803 S**

(45) **Date of Patent:** **** May 18, 2021**

(54) **CAP FOR SYRINGE**

(71) Applicant: **NIPRO CORPORATION**, Osaka (JP)

(72) Inventors: **Yukihiro Yabe**, Osaka (JP); **Minoru Honda**, Osaka (JP); **Masanobu Iwasa**, Osaka (JP)

(73) Assignee: **NIPRO CORPORATION**, Osaka (JP)

(**) Term: **15 Years**

(21) Appl. No.: **29/768,090**

(22) Filed: **Jan. 27, 2021**

Related U.S. Application Data

(62) Division of application No. 35/507,196, filed on Jan. 28, 2019 (U.S. filing date under 35 U.S.C. 384), and having an international filing date of Jan. 28, 2019.

(30) **Foreign Application Priority Data**

Nov. 6, 2018 (JP) 2018-024357
Nov. 6, 2018 (JP) 2018-024358

(51) **LOC (13) Cl.** **24-02**

(52) **U.S. Cl.**
USPC **D24/130; D9/453**

(58) **Field of Classification Search**
USPC D24/112, 113, 114, 127, 130, 131;
D9/453
CPC A61M 2005/312; A61M 2005/3107
See application file for complete search history.

(56) **References Cited**

U.S. PATENT DOCUMENTS

D493,526 S * 7/2004 Hwang A61M 5/3134
D24/130
D542,133 S * 5/2007 Haber D9/453
D568,468 S 5/2008 Sudo
D581,047 S 11/2008 Koshidaka

D675,096 S 1/2013 Obrist
D677,161 S 3/2013 Titherington
D736,914 S * 8/2015 Schultz D24/129
D748,253 S * 1/2016 Ratjen D24/130
D759,486 S 6/2016 Ingram et al.
D787,052 S 5/2017 Heinz et al.
D791,939 S 7/2017 Turturro et al.
D825,749 S * 8/2018 Huang D24/130

(Continued)

FOREIGN PATENT DOCUMENTS

KR 30-0797492 S 5/2015
KR 30-0815777 S 5/2015

OTHER PUBLICATIONS

Japanese Office Action dated Oct. 1, 2019 for Application No. 2018-024358, with an English translation.

(Continued)

Primary Examiner — Kendra Leslie Hamilton

(74) *Attorney, Agent, or Firm* — Birch, Stewart, Kolasch & Birch, LLP

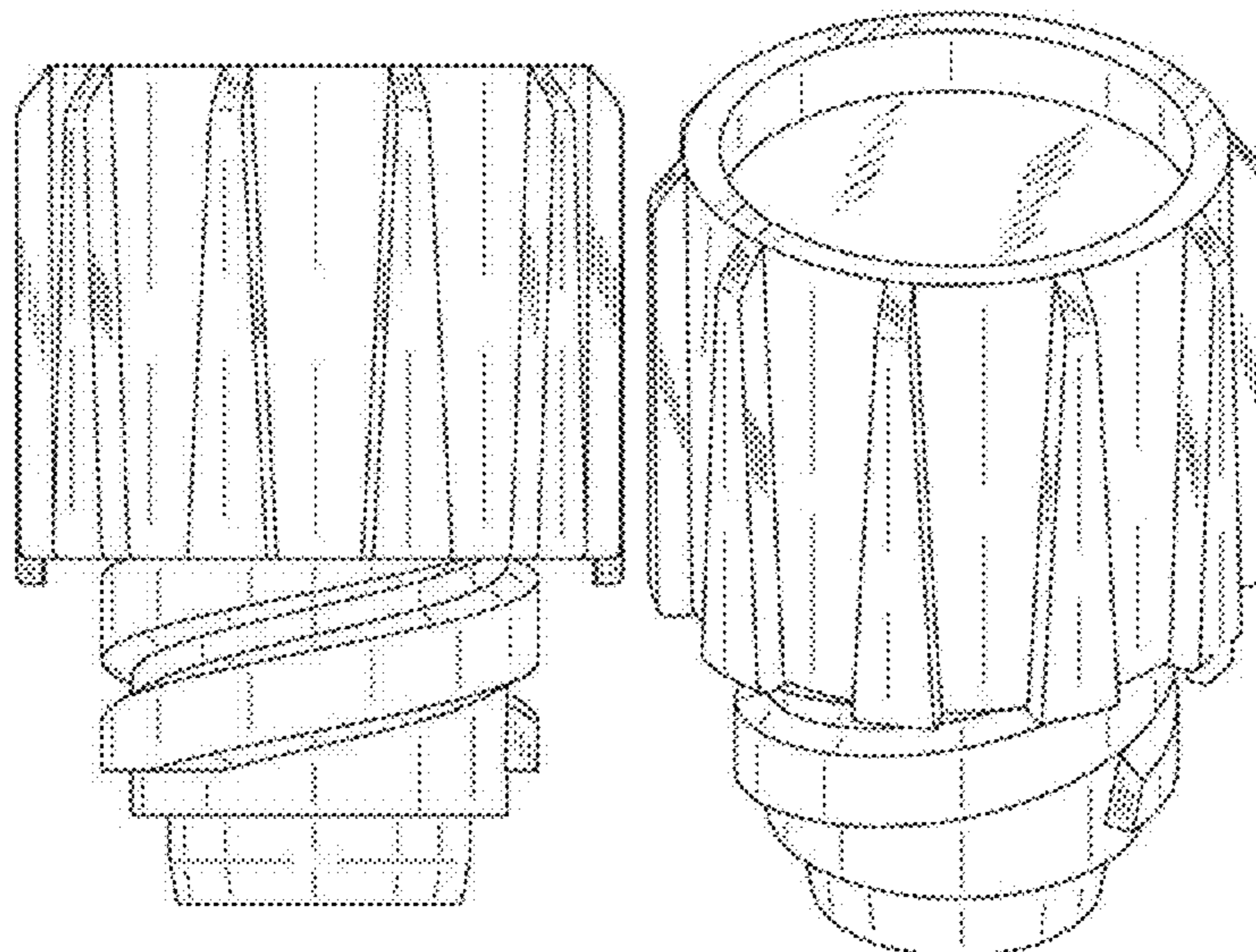
(57) **CLAIM**

The ornamental design for a cap for syringe, as shown and described.

DESCRIPTION

FIG. 1 is a front elevation view of a cap for syringe showing our new design;
FIG. 2 is a rear elevation view thereof;
FIG. 3 is a right side elevation view thereof;
FIG. 4 is a left side elevation view thereof;
FIG. 5 is a top plan view thereof;
FIG. 6 is a bottom plan view thereof;
FIG. 7 is a front perspective view thereof; and,
FIG. 8 is a front cross-sectional view of the cap for syringe of FIG. 1, taken in the direction of line 8-8 of FIG. 5.

1 Claim, 8 Drawing Sheets



(56)

References Cited

U.S. PATENT DOCUMENTS

D838,363	S	1/2019	Katagiri et al.	
D839,423	S	1/2019	Großer et al.	
D842,698	S *	3/2019	Moriyama	D9/453
10,576,020	B2	3/2020	Davis et al.	
10,661,030	B1	5/2020	Murray et al.	
D901,005	S *	11/2020	Guala	D24/112
2009/0283493	A1 *	11/2009	Witowski	A61M 5/5086 215/258
2010/0022951	A1 *	1/2010	Ferrera	A61M 39/0613 604/103
2012/0211460	A1 *	8/2012	Tamarindo	B65D 41/0485 215/228
2012/0271246	A1 *	10/2012	Guala	A61M 39/26 604/246
2014/0188089	A1 *	7/2014	Midgette	A61L 31/048 604/539
2014/0276651	A1 *	9/2014	Schultz	A61M 39/165 604/535
2015/0238703	A1	8/2015	Glocker	
2018/0296774	A1	10/2018	Cho	

OTHER PUBLICATIONS

“Dispense Alt: Easy 3rip Syringe Tip Cap, Luer Lock:” Found online Apr. 20, 2020. Reference dated Aug. 14, 2019. Retrieved from https://www.amazon.com/...ge-Non-Sterile/dp/B078X2R7FZ/ref=sr_1_3?dchild=1&keywords=syringe%2Bcap&qid=1587427545&refinements=p_72%3A2661621011&mid=2661617011&sr=8-3&th=1.

“Braun: Tamper Evident Luer Lock Syringe Cap.” Found online Apr. 20, 2020 at ebay.com. Reference dated Dec. 11, 2015. Retrieved from https://tineye.com/search/fd3591f4319e5389c220310c6a845566139cde5e?page=1&sort=crawl_date&order=asc&extension_ver=chrome-1.3.0&ia=3ebay.com.

“HealthCareLogistics: Tamper-Evident Caps for Luer Lock Syringes.” Found online Apr. 20, 2020 at devineexpress.com. Reference dated Aug. 28, 2017. Retrieved from https://www.devineexpress.com/products/sterile-tamper-evident-caps-for-luer-lock-syringes-17361r?variant=129058828779958cmp_id=1636353567&adg_id=60807033822&k.

* cited by examiner

FIG. 1

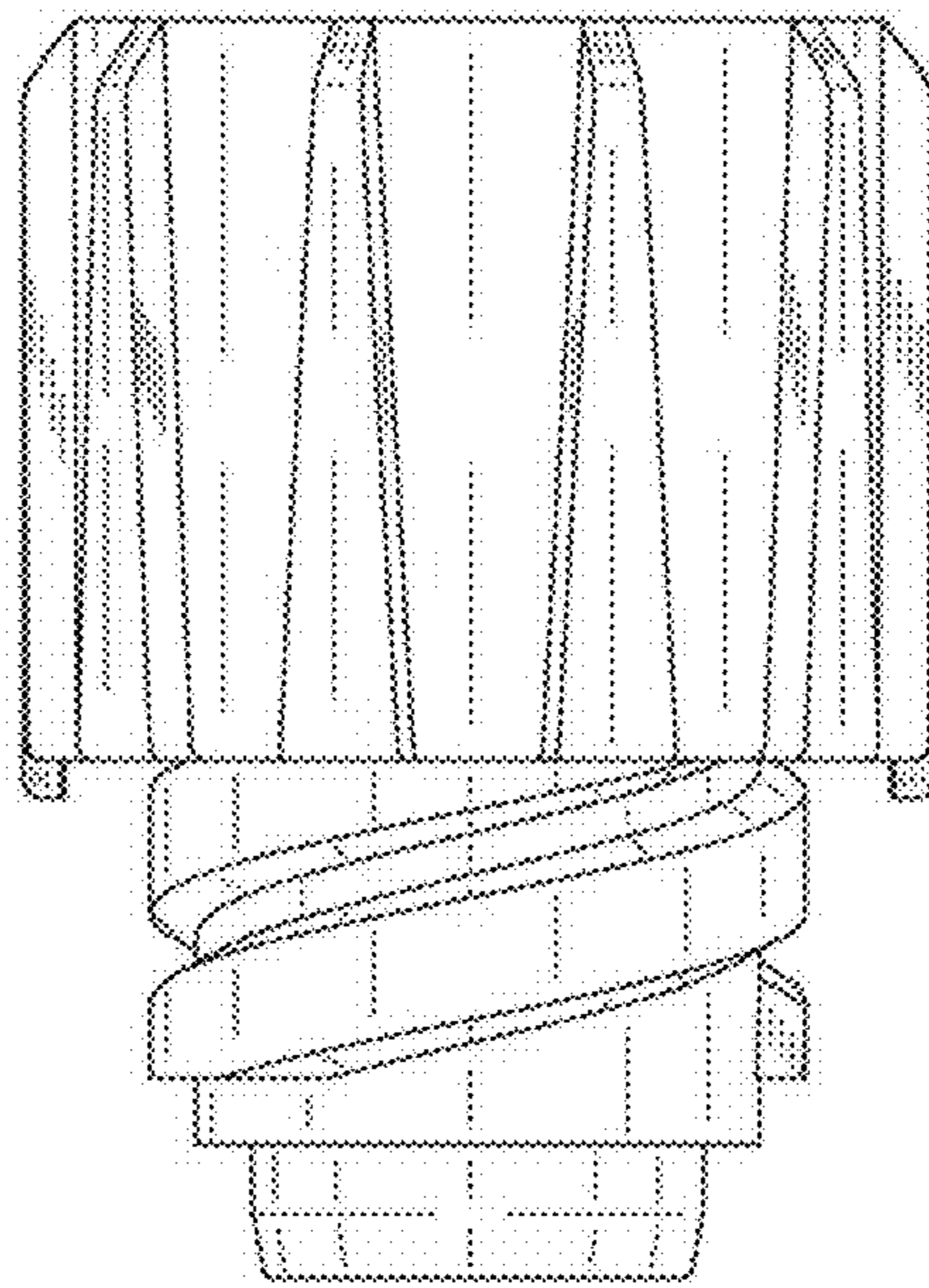


FIG. 2

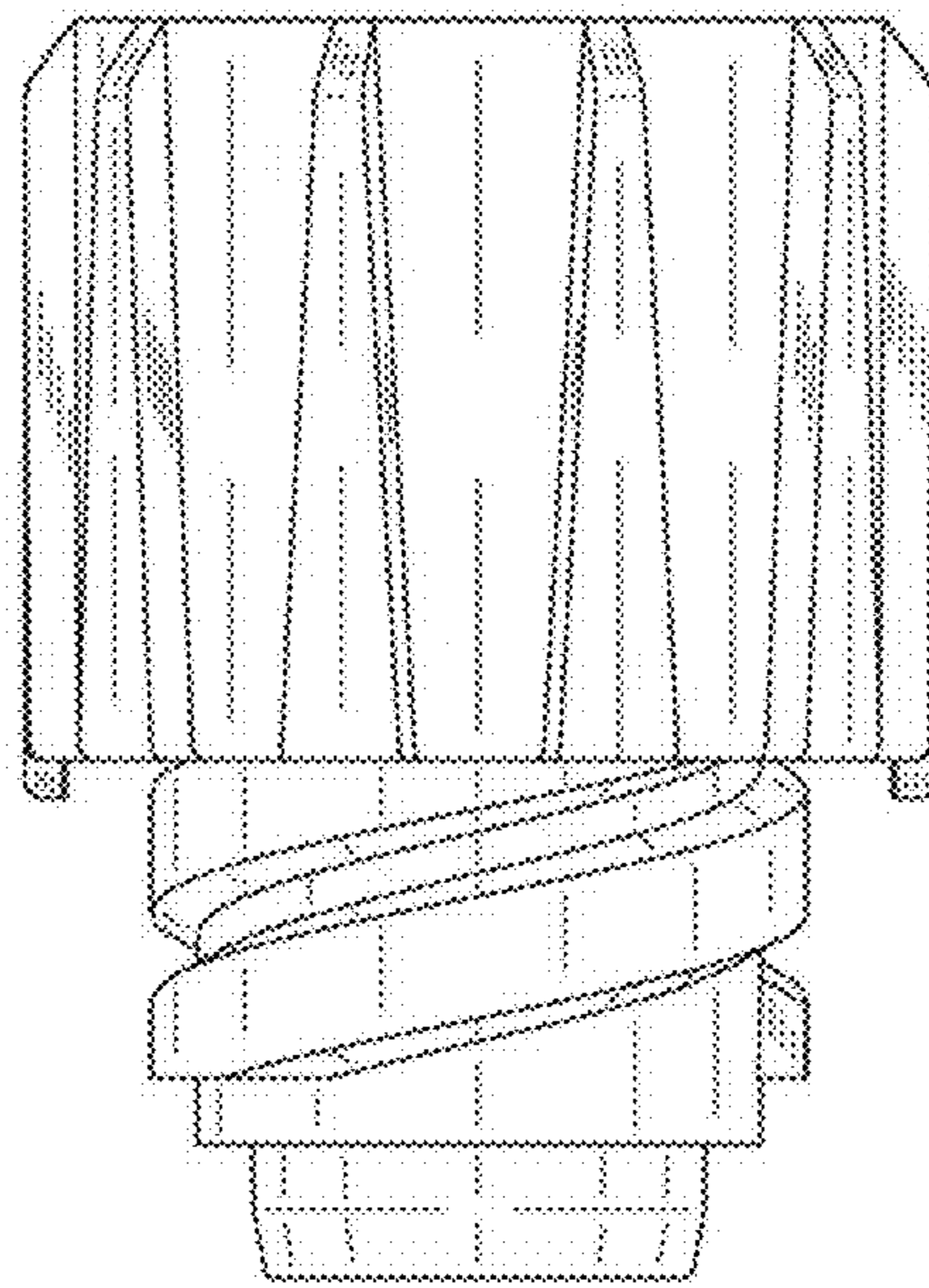


FIG. 3

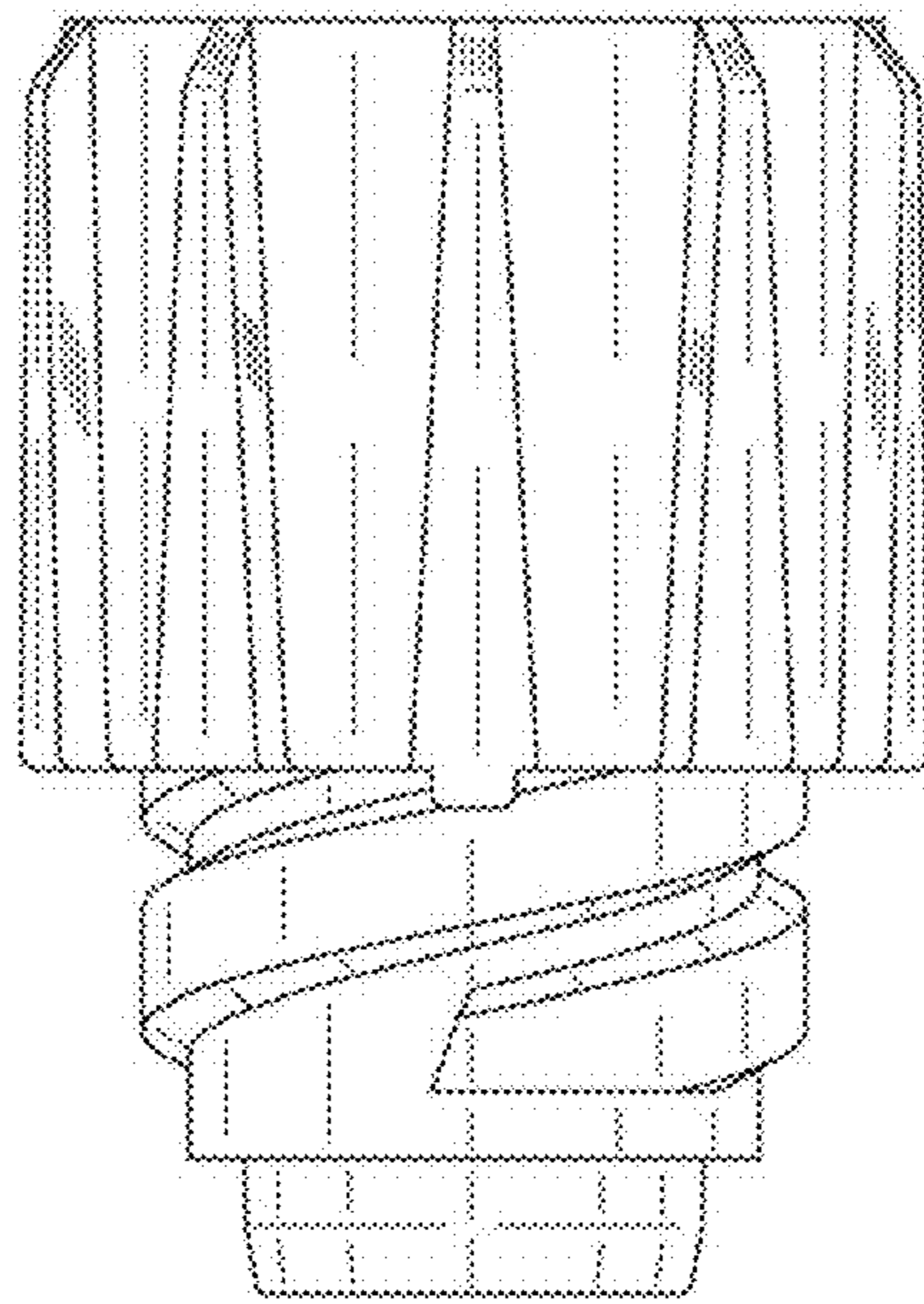


FIG. 4

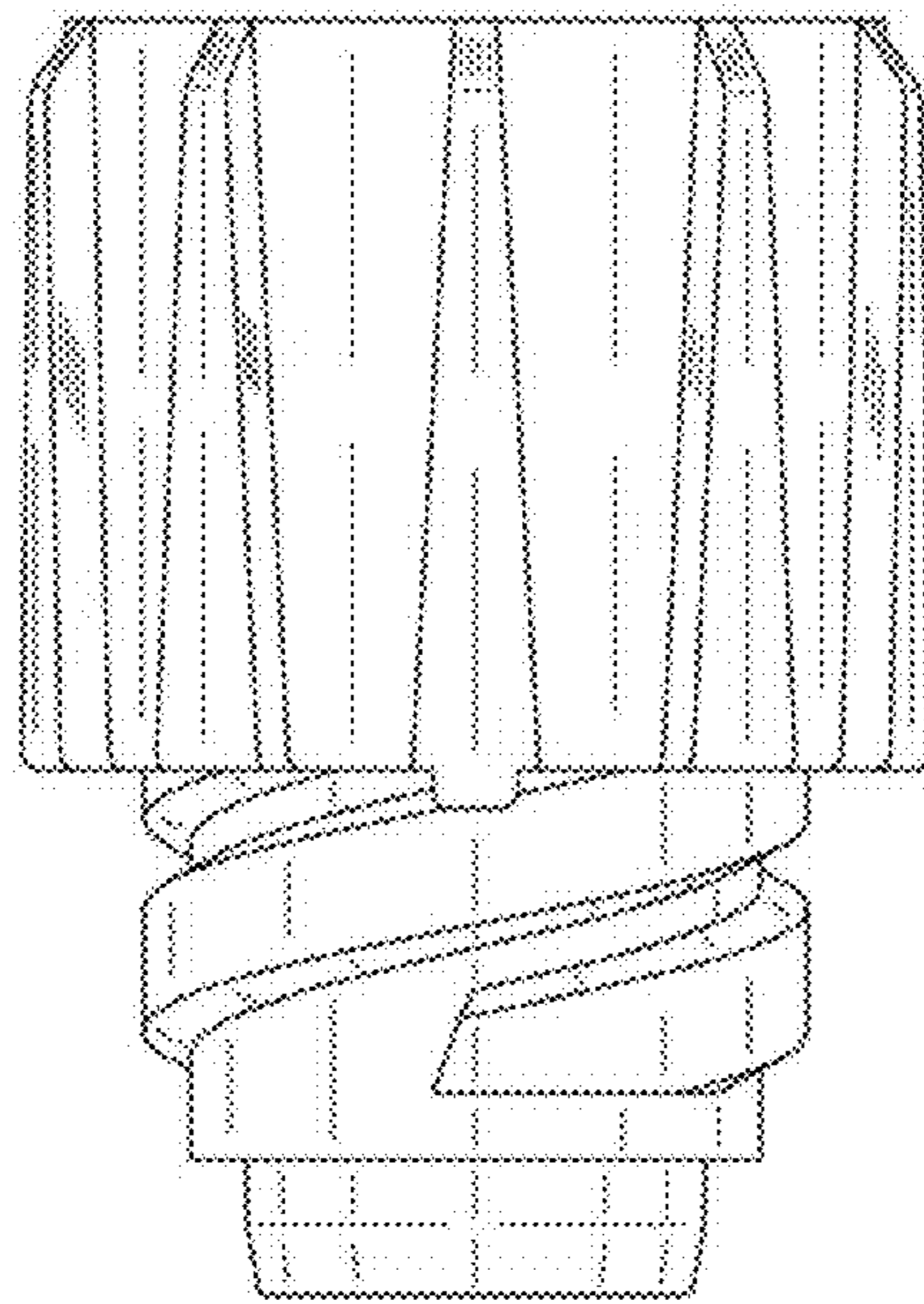


FIG. 5

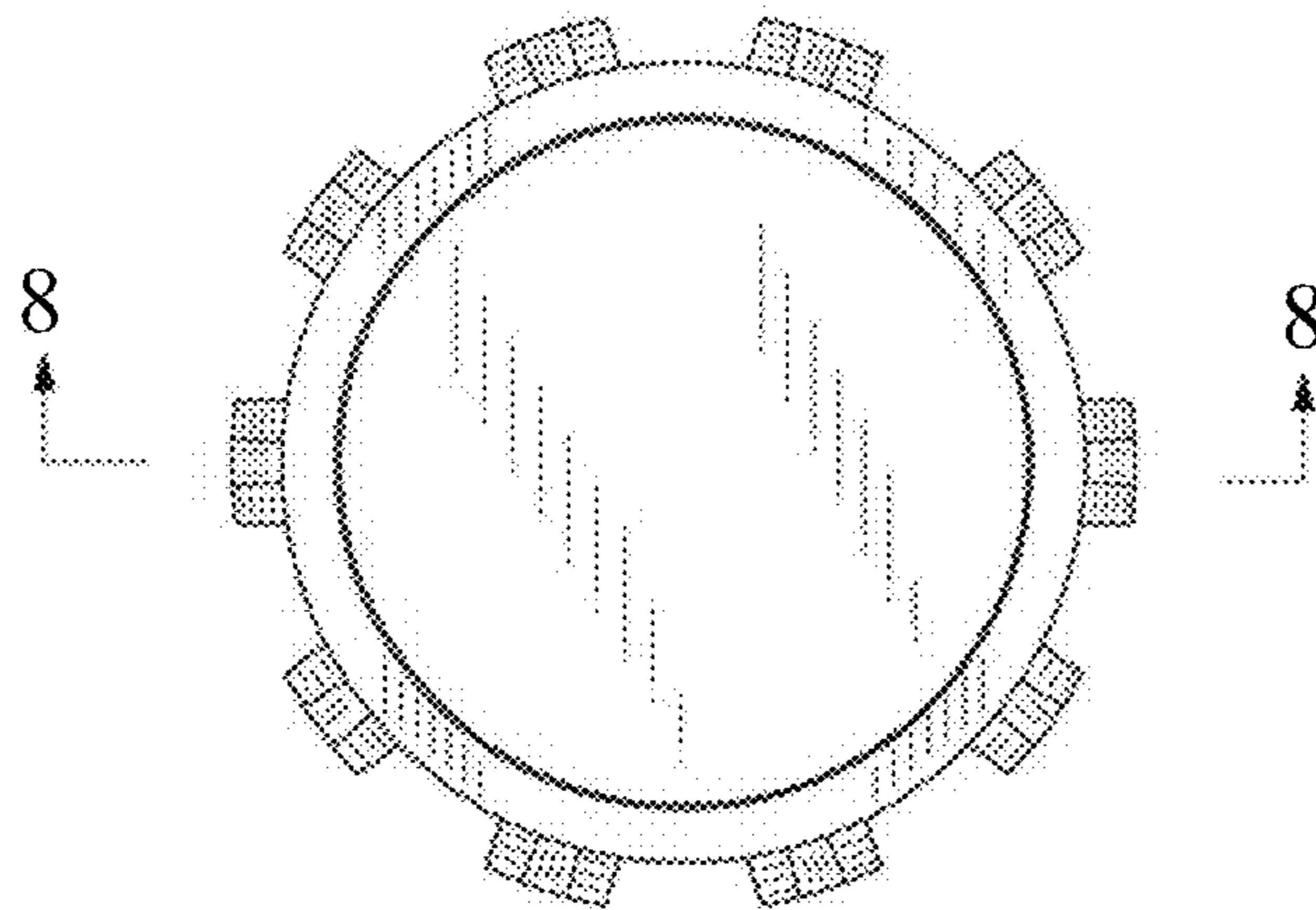


FIG. 6

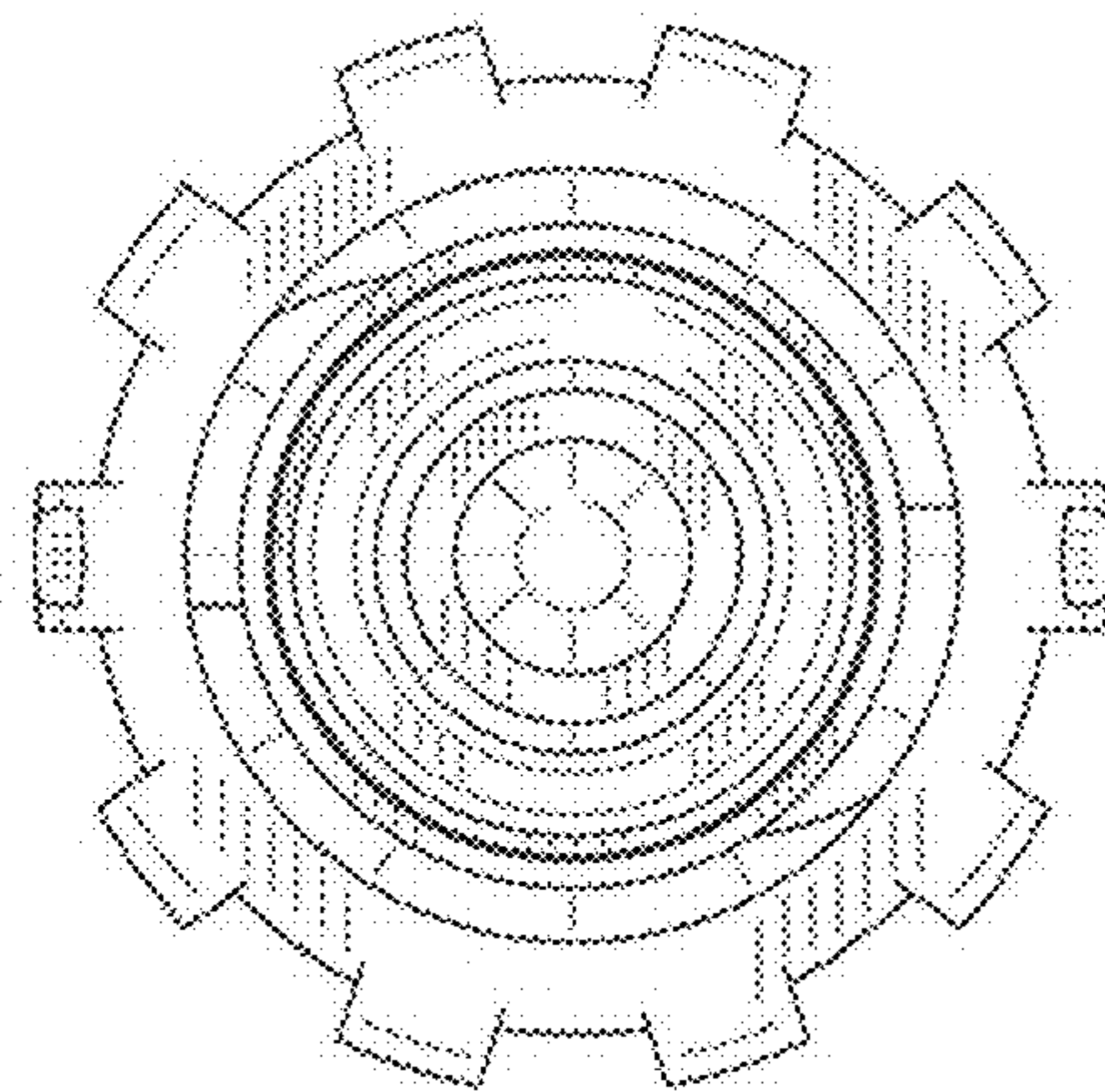


FIG. 7

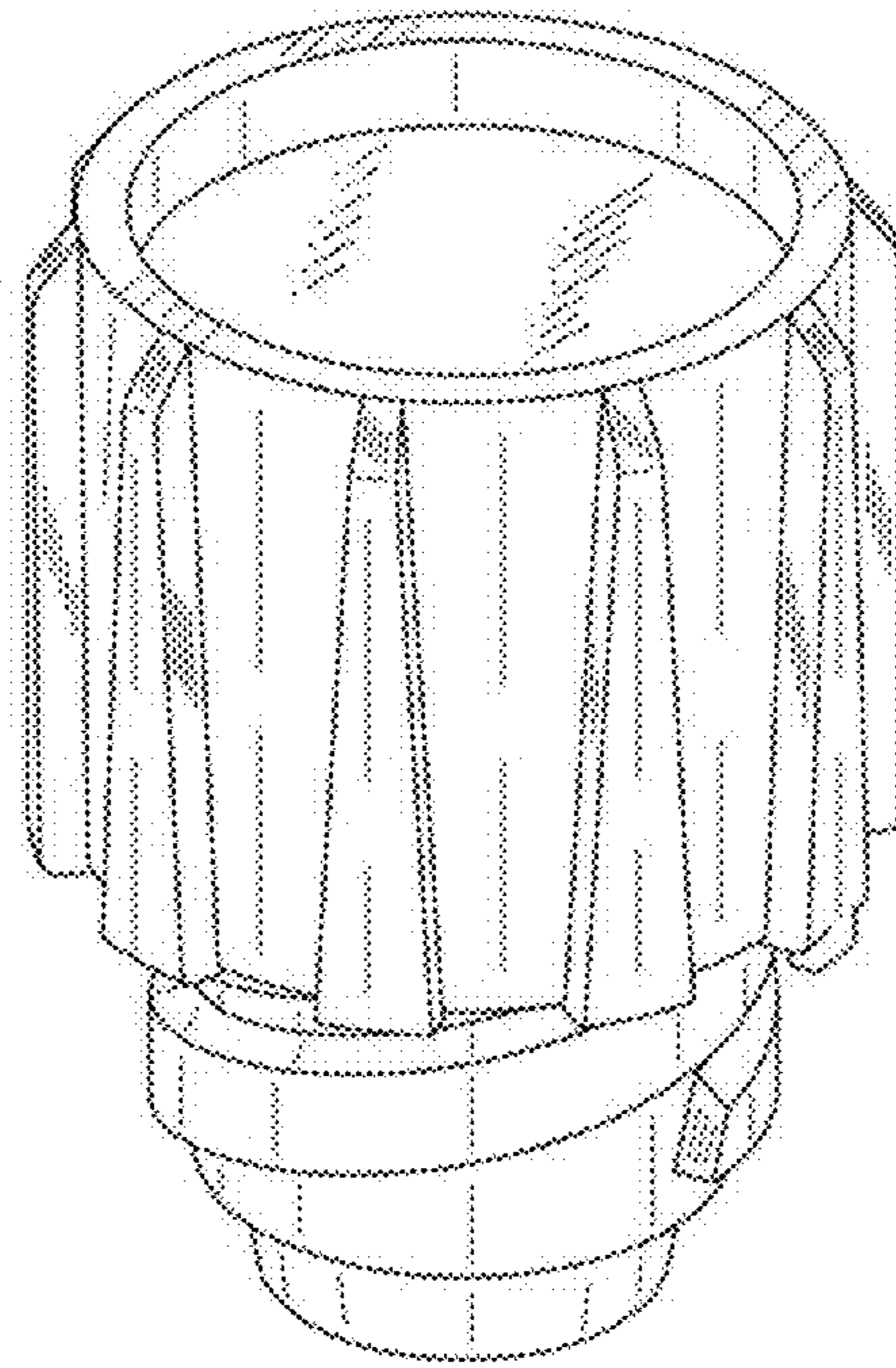


FIG. 8

