



US00D919802S

(12) **United States Design Patent** (10) **Patent No.:** **US D919,802 S**
Hezkiah et al. (45) **Date of Patent:** **** May 18, 2021**

(54) **SYRINGE HOUSING**

(56) **References Cited**

(71) Applicant: **West Pharmaceutical Services, Inc.**,
 Exton, PA (US)

(72) Inventors: **Ran Hezkiah**, Herzliya (IL); **William David Gavin**, Phoenix, AZ (US); **Kevin Hopper**, Athens, TX (US)

(73) Assignee: **West Pharmaceutical Services, Inc.**,
 Exton, PA (US)

(**) Term: **15 Years**

(21) Appl. No.: **29/724,467**

(22) Filed: **Feb. 14, 2020**

U.S. PATENT DOCUMENTS

D387,865	S	*	12/1997	Peckham	D24/146
D637,311	S	*	5/2011	Isobe	D24/227
D690,416	S	*	9/2013	Cappello	D24/112
9,233,213	B2		1/2016	Olson et al.		
D805,193	S	*	12/2017	Shoji	D24/129
D827,132	S	*	8/2018	Gro er	D24/130
D839,422	S	*	1/2019	Gro er	D24/130
D870,308	S	*	12/2019	Samarasinha	D24/215
D881,392	S	*	4/2020	Pujara	D24/130
D887,578	S	*	6/2020	Koseoglu	D24/227
D888,945	S	*	6/2020	Yemane-Tekeste	D24/129
2015/0059901	A1	*	3/2015	Jin	F16L 37/32 137/798
2017/0239427	A1	*	8/2017	Mehawej	A61M 5/3271
2020/0282152	A1	*	9/2020	Hezkiah	A61M 5/31566

* cited by examiner

Related U.S. Application Data

(63) Continuation of application No. 29/701,446, filed on Aug. 12, 2019.

(51) **LOC (13) Cl.** **24-02**

(52) **U.S. Cl.**
 USPC **D24/130**

(58) **Field of Classification Search**
 USPC D24/127-131, 112-114, 133, 186;
 606/181, 185; 604/264, 523-528, 272,
 604/187, 158, 164.01-164.11, 181, 184,
 604/227; 600/101, 139, 143;
 128/200.24, 207.14, 207.15
 CPC .. A61M 25/065; A61M 5/42; A61M 25/0612;
 A61M 25/00; A61M 39/00; A61M 27/00;
 A61M 25/0043; A61M 25/0067; A61M
 25/0097; A61F 2/958

See application file for complete search history.

Primary Examiner — Nathan M Johnston
 (74) *Attorney, Agent, or Firm* — Sterne, Kessler,
 Goldstein & Fox P.L.L.C.

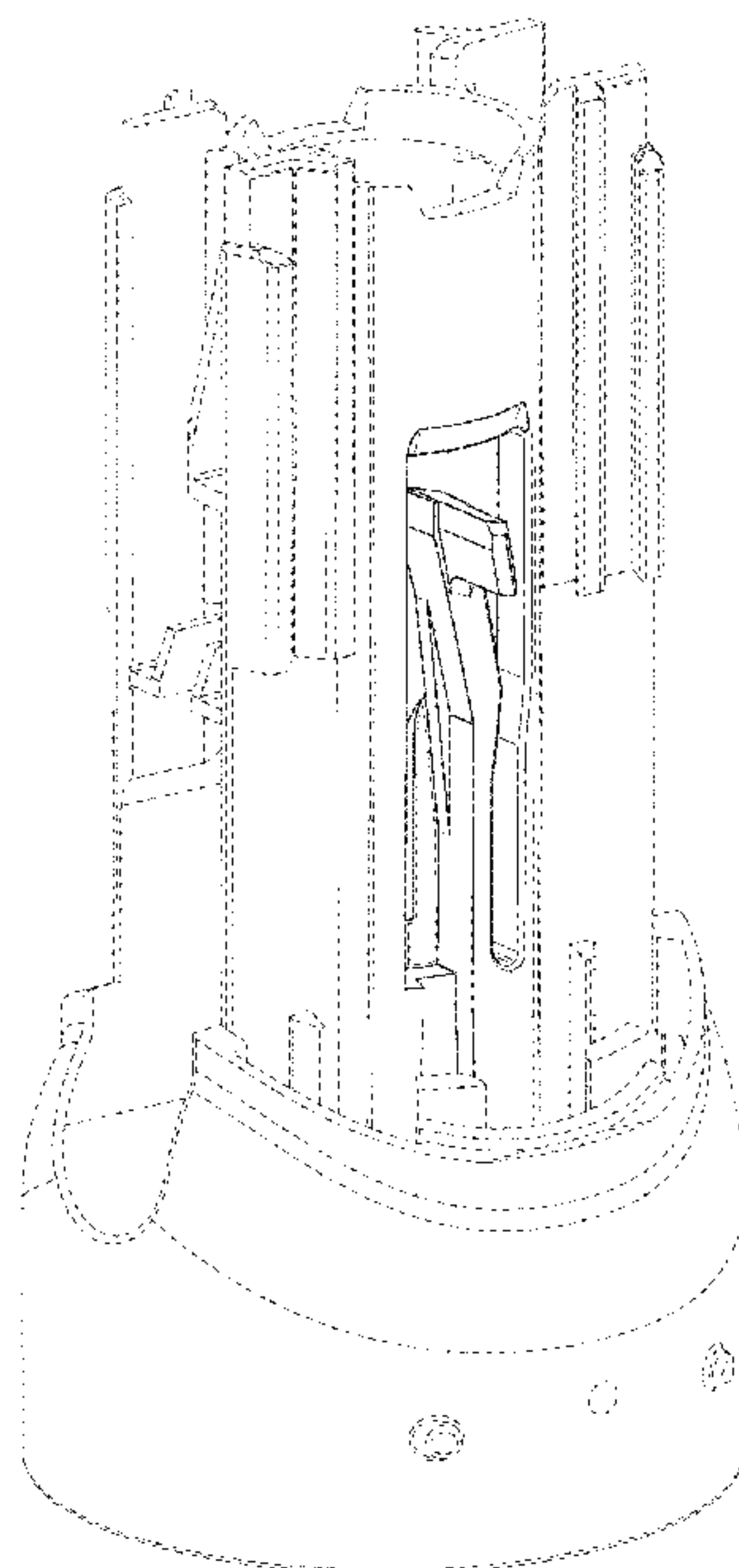
(57) **CLAIM**

The ornamental design for a syringe housing, as shown and described.

DESCRIPTION

FIG. 1 is a front perspective view of a syringe housing showing the claimed design;
 FIG. 2 is a front view thereof, the rear view thereof being identical thereto;
 FIG. 3 is a left view thereof, the right view thereof being identical thereto;
 FIG. 4 is a top view thereof; and,
 FIG. 5 is a bottom view thereof.
 The broken lines in the figures show portions of the syringe housing that form no part of the claimed design.

1 Claim, 5 Drawing Sheets



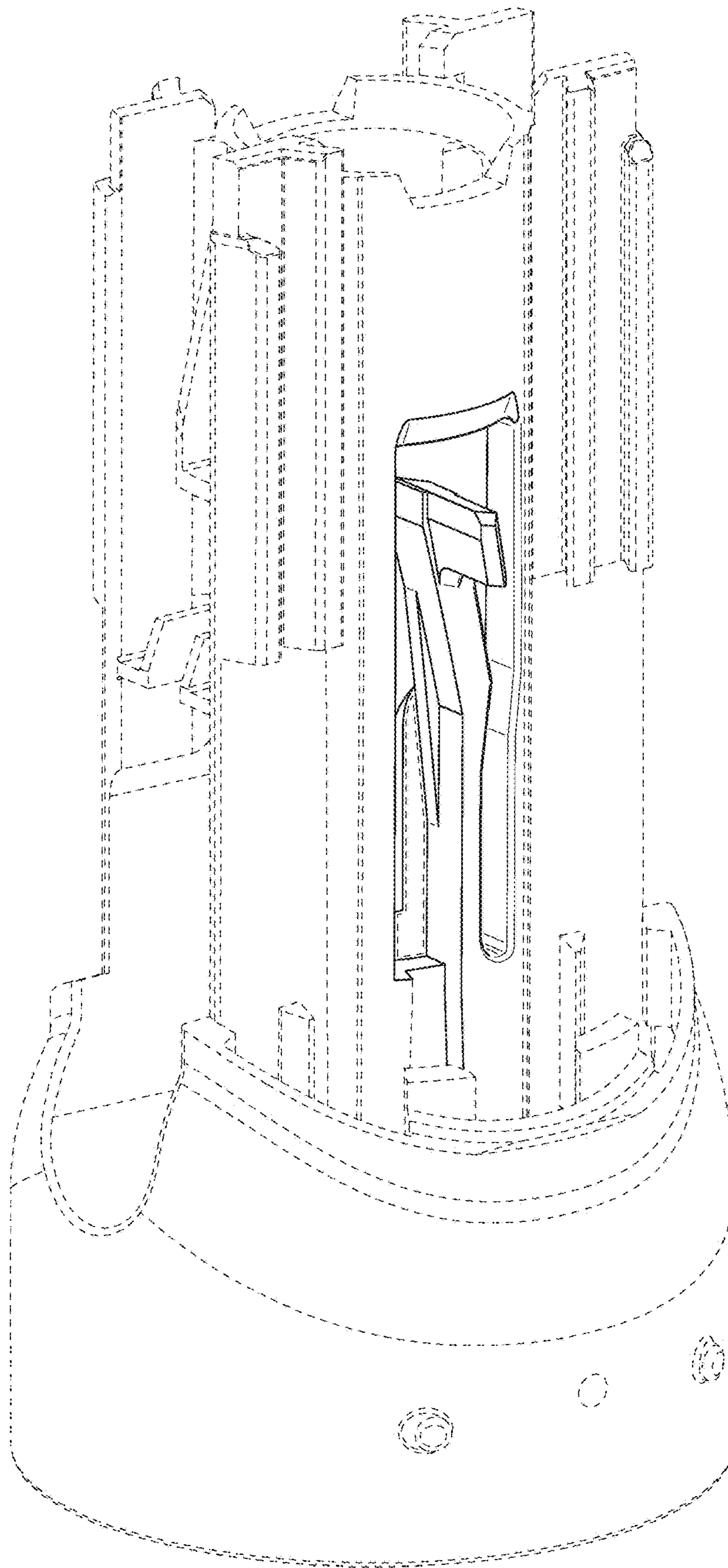


FIG. 1

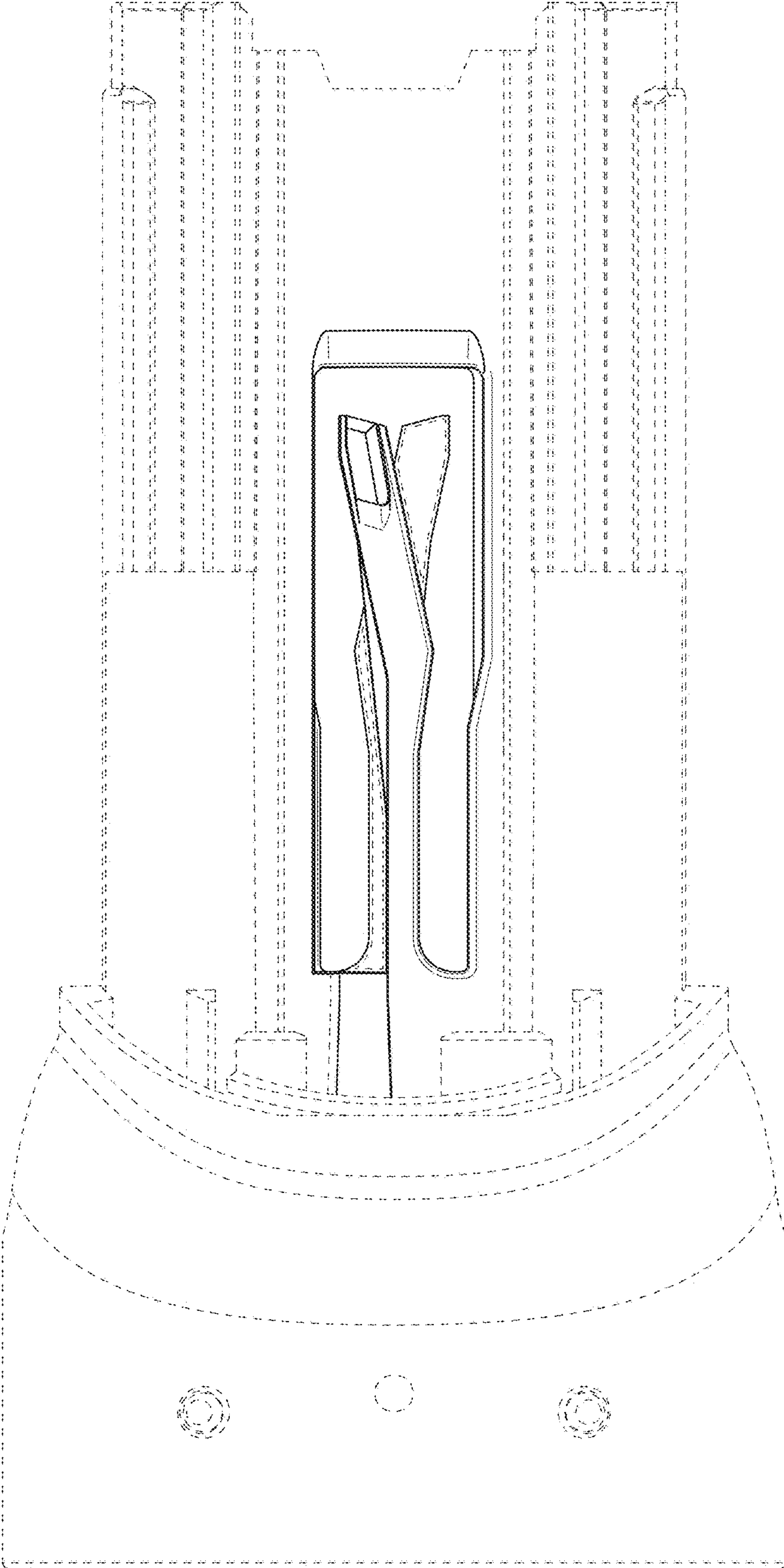


FIG. 2

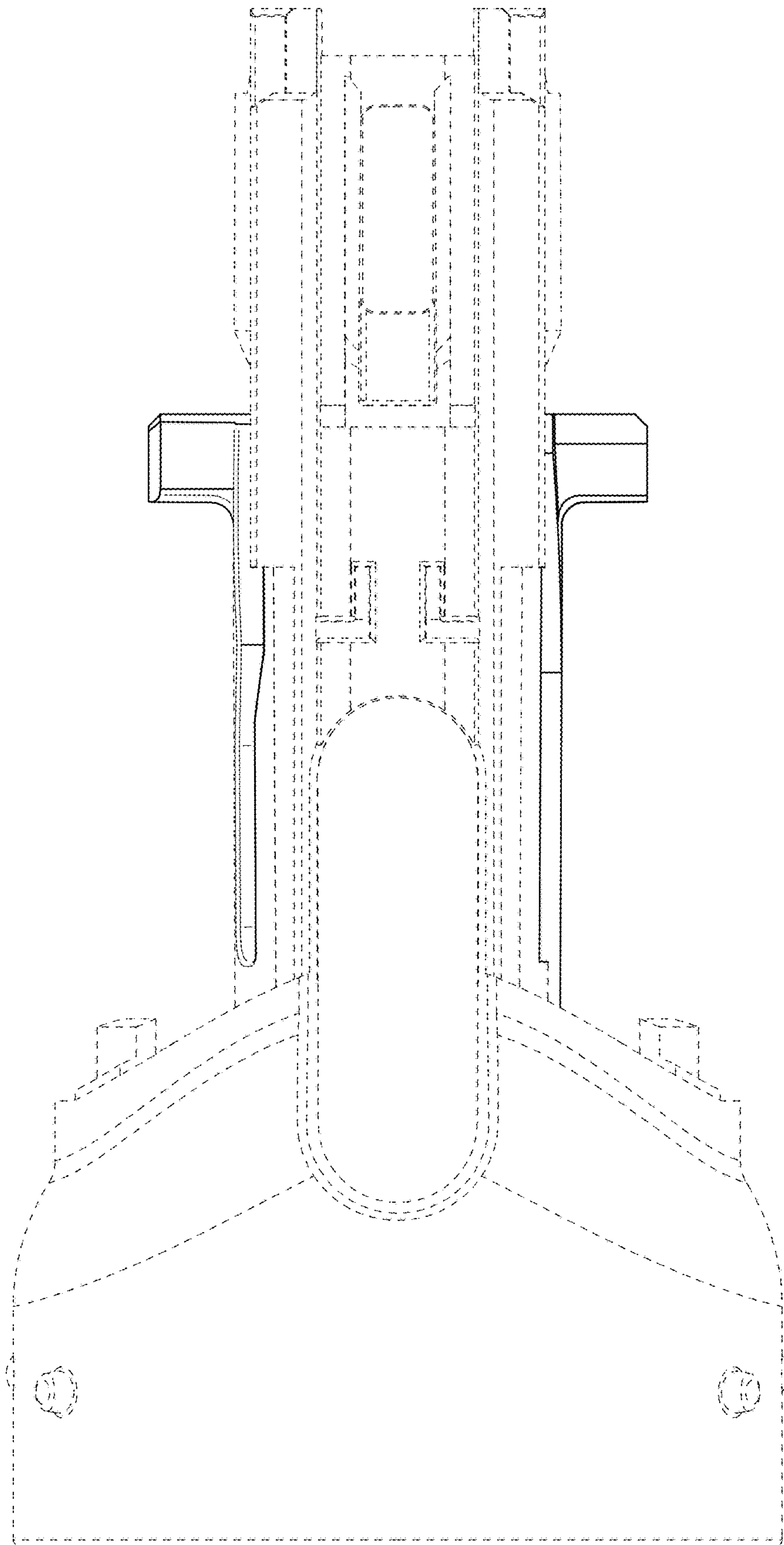


FIG. 3

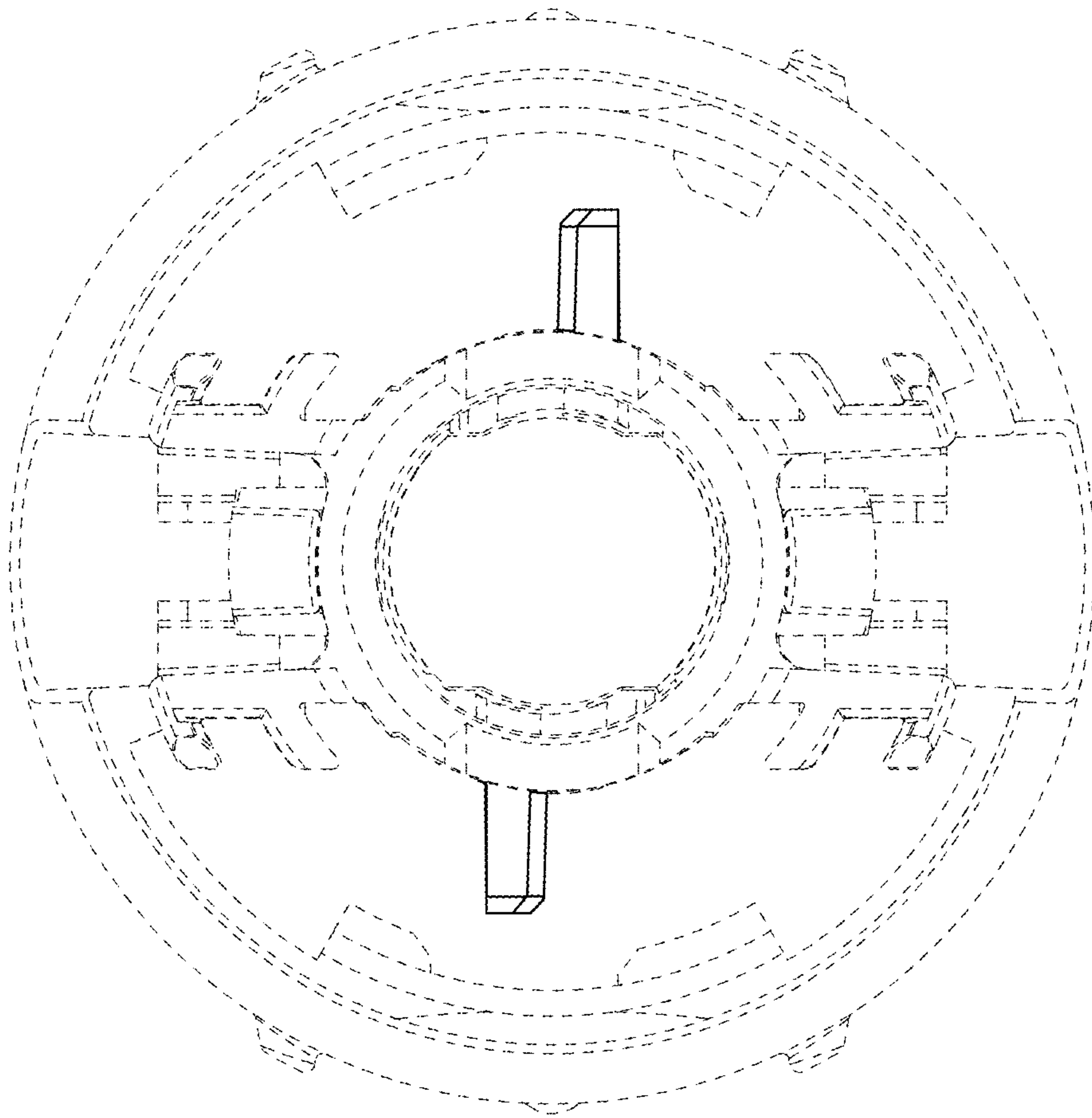


FIG. 4

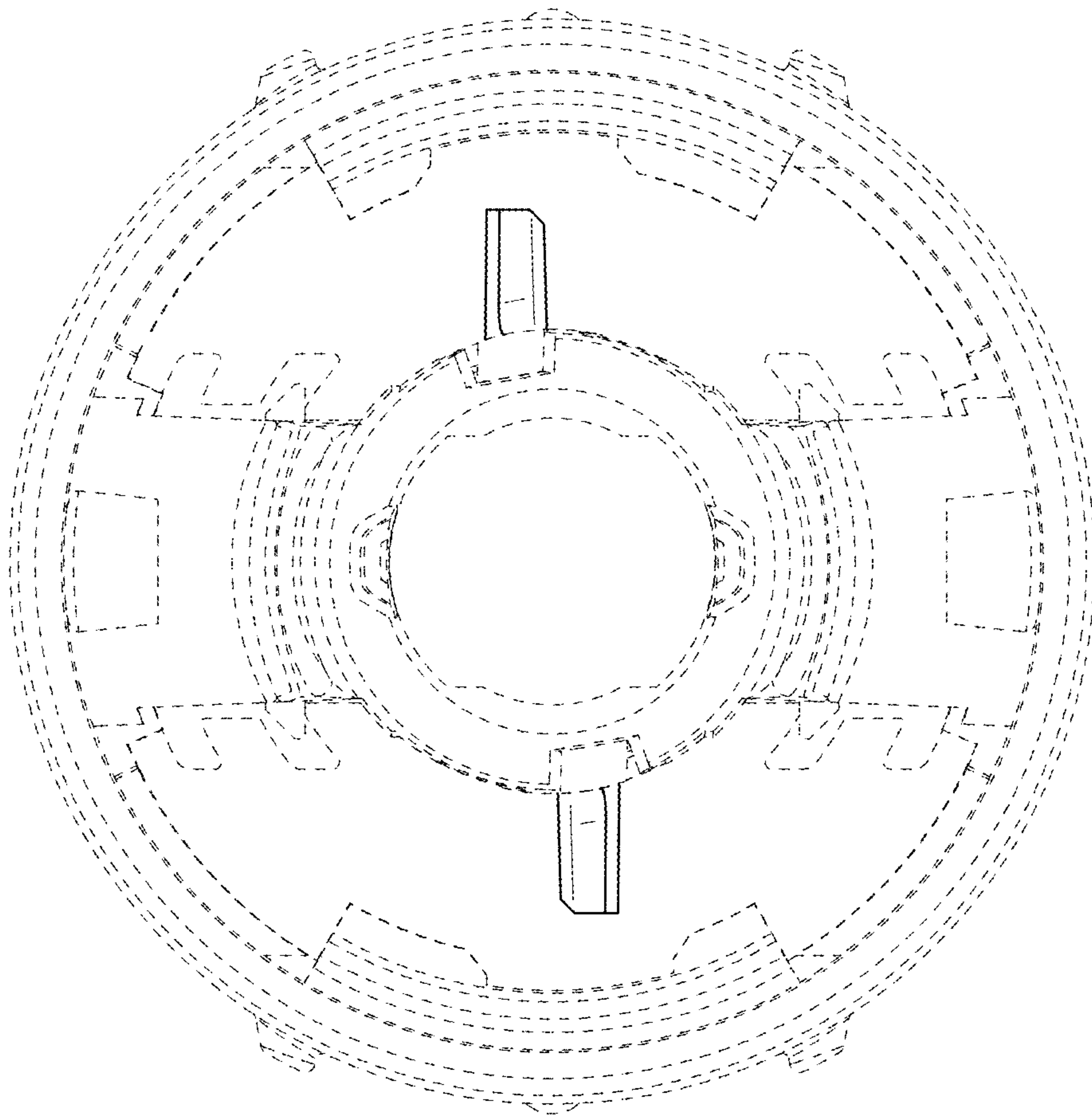


FIG. 5