



US00D919797S

(12) **United States Design Patent** (10) **Patent No.:** **US D919,797 S**  
**Dombrowski et al.** (45) **Date of Patent:** **\*\* May 18, 2021**

(54) **LIQUID APPLICATOR**  
(71) Applicant: **3M INNOVATIVE PROPERTIES COMPANY**, St. Paul, MN (US)  
(72) Inventors: **Alan R. Dombrowski**, Woodbury, MN (US); **Robert A. Asmus**, Hudson, WI (US)  
(73) Assignee: **3M Innovative Properties Company**, Saint Paul, MN (US)

9,016,967 B2 \* 4/2015 Law ..... A61M 35/006  
401/134  
9,283,364 B2 \* 3/2016 Lockwood ..... A61M 35/006  
D767,121 S \* 9/2016 Dombrowski ..... D24/119  
D789,521 S \* 6/2017 Dombrowski ..... D24/119  
D864,382 S \* 10/2019 Adams ..... D24/119  
D903,111 S \* 11/2020 Pupino ..... D24/130  
D907,765 S \* 1/2021 Eriksen ..... A61M 5/2066  
D24/112  
D910,836 S \* 2/2021 Sandberg ..... D24/112  
D910,837 S \* 2/2021 Ono ..... D24/112  
(Continued)

(\*\*) Term: **15 Years**  
(21) Appl. No.: **29/671,446**  
(22) Filed: **Nov. 27, 2018**  
(51) **LOC (13) Cl.** ..... **24-02**  
(52) **U.S. Cl.**  
USPC ..... **D24/119**  
(58) **Field of Classification Search**  
USPC ..... D24/146, 147, 112, 113, 119, 127, 130,  
D24/133, 140, 144, 145, 170; D28/7, 8,  
D28/56, 57, 58, 59; D9/503, 504, 505;  
D8/61, 62, 68, 69  
CPC . A61B 17/29; A61B 17/0218; A61B 17/2909;  
A61B 17/282; A61B 17/295; A61B  
2017/2926; A61B 10/04; A61B 10/0096;  
A61B 10/025; A61M 35/006  
See application file for complete search history.

**FOREIGN PATENT DOCUMENTS**

JP 1530257 8/2015  
*Primary Examiner* — Samantha Q Lawrence  
(74) *Attorney, Agent, or Firm* — 3M Innovative Properties Company; Trisha D. Adamson

(57) **CLAIM**

The ornamental design for a liquid applicator, as shown and described.

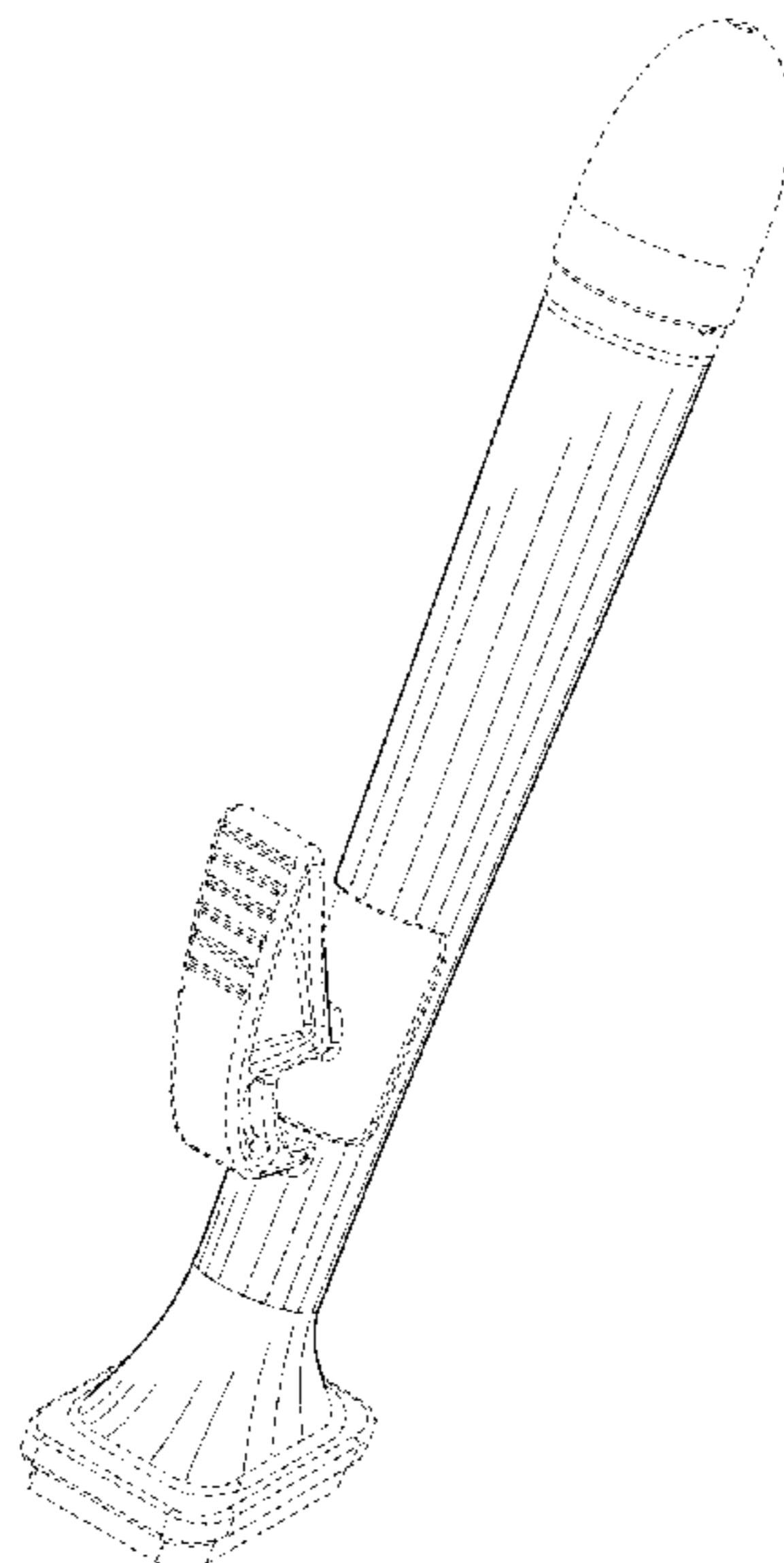
**DESCRIPTION**

FIG. 1 is a front perspective view of a liquid applicator, showing the new design;  
FIG. 2 is a left side elevational view thereof, the right side elevational view being a mirror image of the left side elevational view;  
FIG. 3 is a top perspective view thereof;  
FIG. 4 is a bottom perspective view thereof;  
FIG. 5 is top perspective view thereof; and,  
FIG. 6 is a bottom perspective view thereof.  
The solid line showing illustrates the claimed features within the design for the claimed article of manufacture, while the broken line showing illustrates the non-claimed features within the design for the claimed article of manufacture. The shading is provided to illustrate contour only and is not an indication of texture, gloss, etc.

(56) **References Cited**  
U.S. PATENT DOCUMENTS

8,186,897 B2 \* 5/2012 Kaufman ..... A61M 35/003  
401/133  
8,556,529 B2 \* 10/2013 Law ..... A61M 35/006  
401/133  
8,899,859 B2 \* 12/2014 Guzman ..... A61M 35/006  
401/133  
8,979,785 B2 \* 3/2015 Korogi ..... A61M 35/006  
604/3

**1 Claim, 5 Drawing Sheets**



(56)

**References Cited**

U.S. PATENT DOCUMENTS

2013/0156485 A1\* 6/2013 Guzman ..... A61M 35/003  
401/133  
2014/0316352 A1\* 10/2014 Durham ..... A61M 35/006  
604/290  
2015/0094640 A1\* 4/2015 Dombrowski ..... A61M 35/006  
604/2  
2015/0098861 A1\* 4/2015 Degala ..... A61L 2/18  
422/28  
2016/0228686 A1\* 8/2016 Dombrowski ..... A61M 35/006  
2017/0304599 A1\* 10/2017 Dombrowski ..... B65D 1/0238

\* cited by examiner

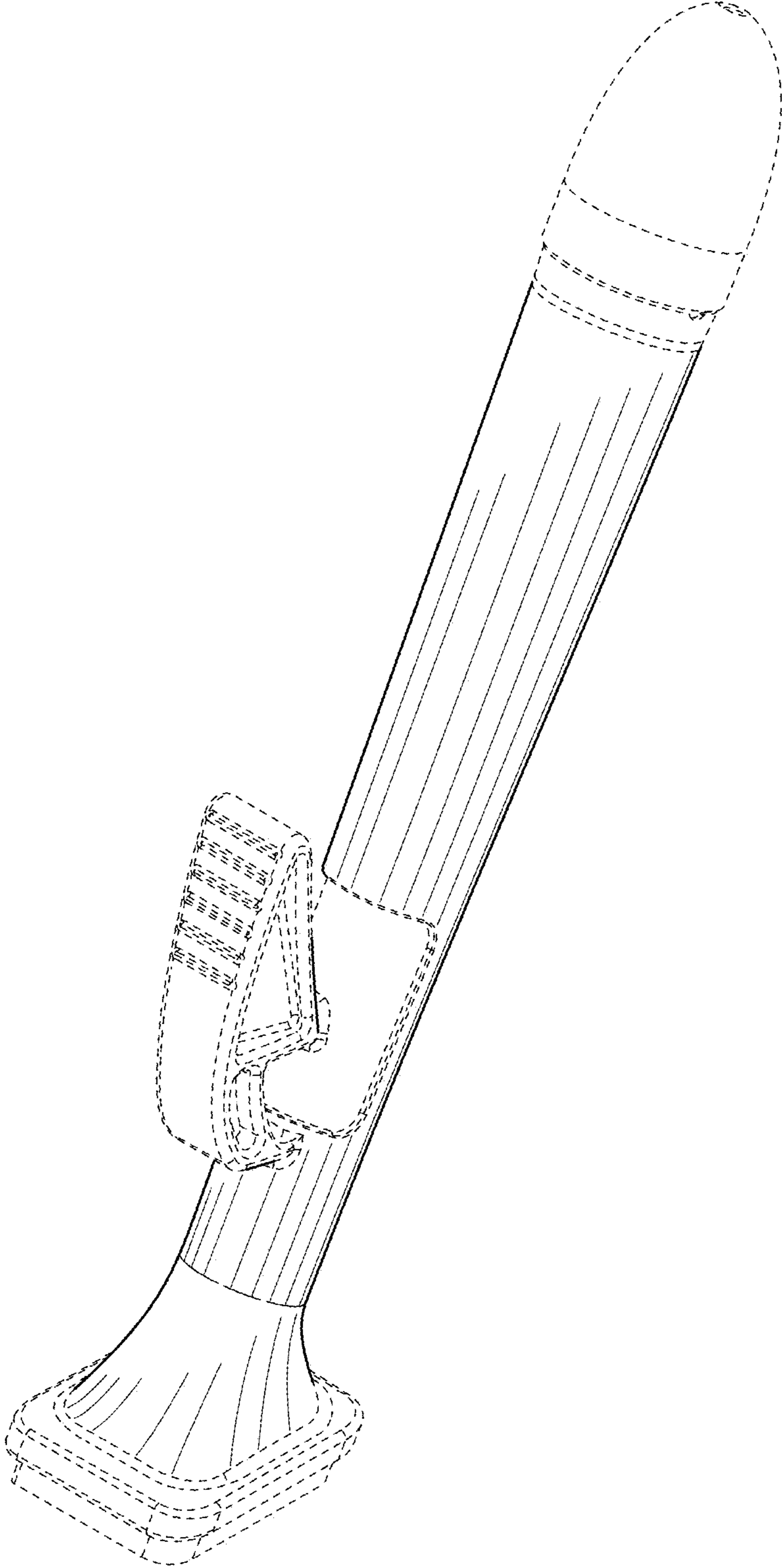


FIG. 1

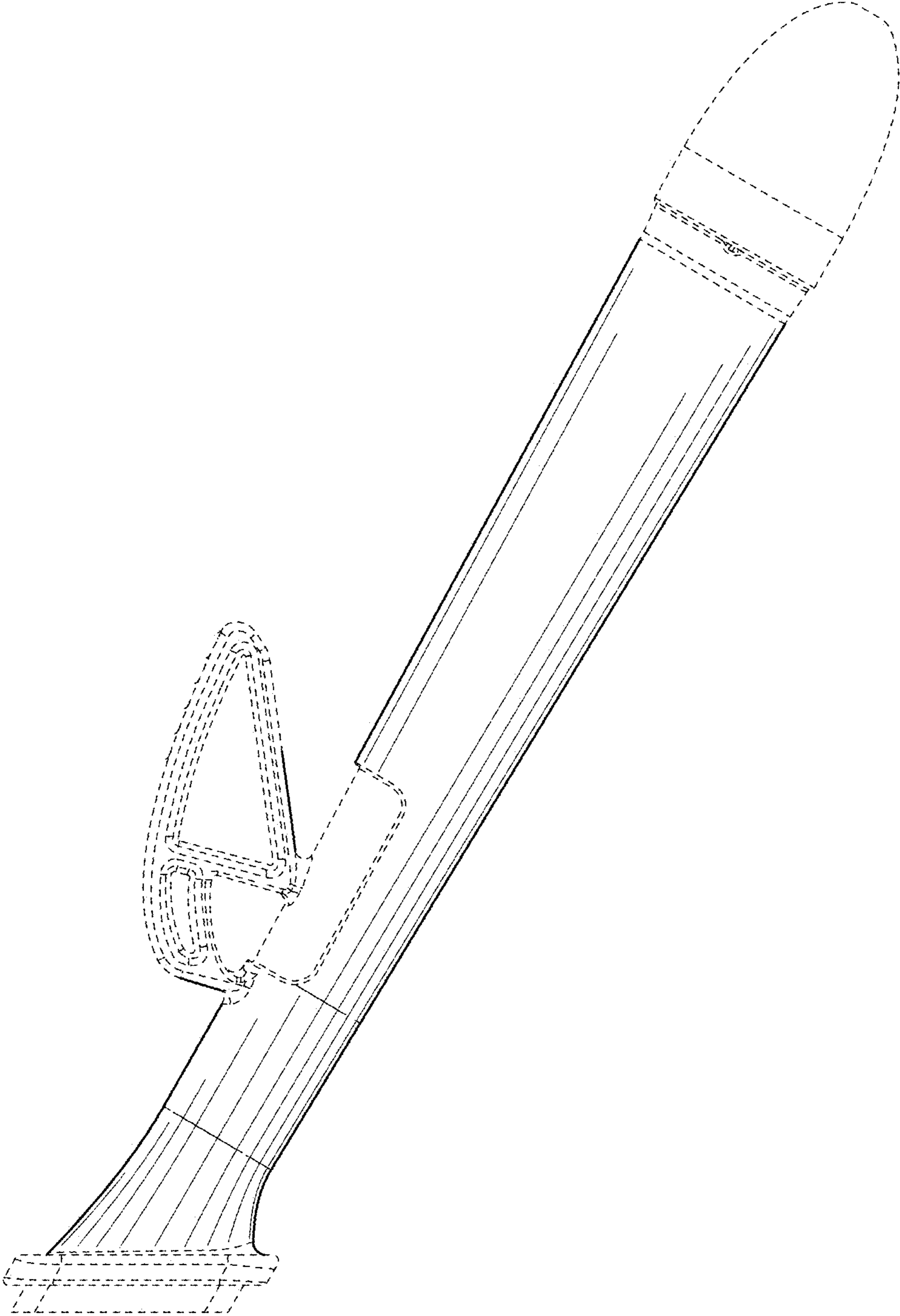


FIG. 2

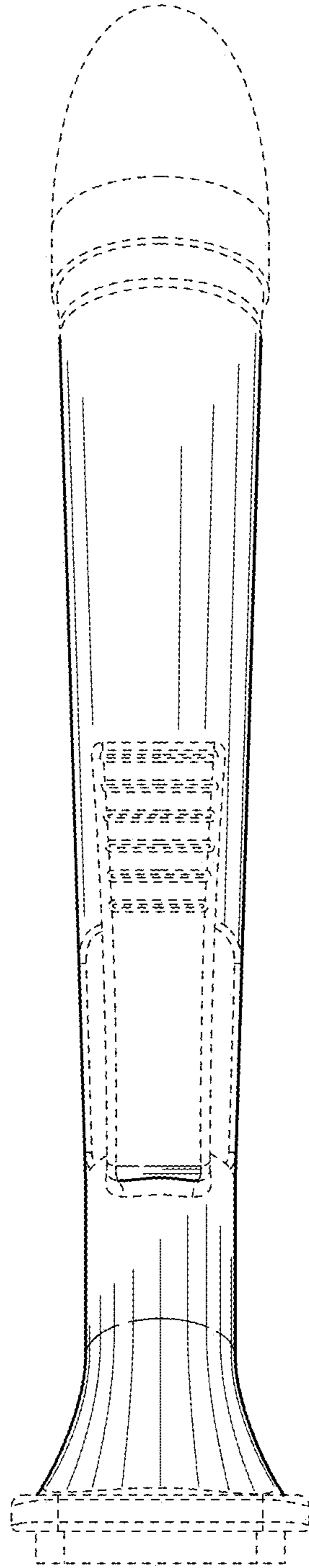


FIG. 3

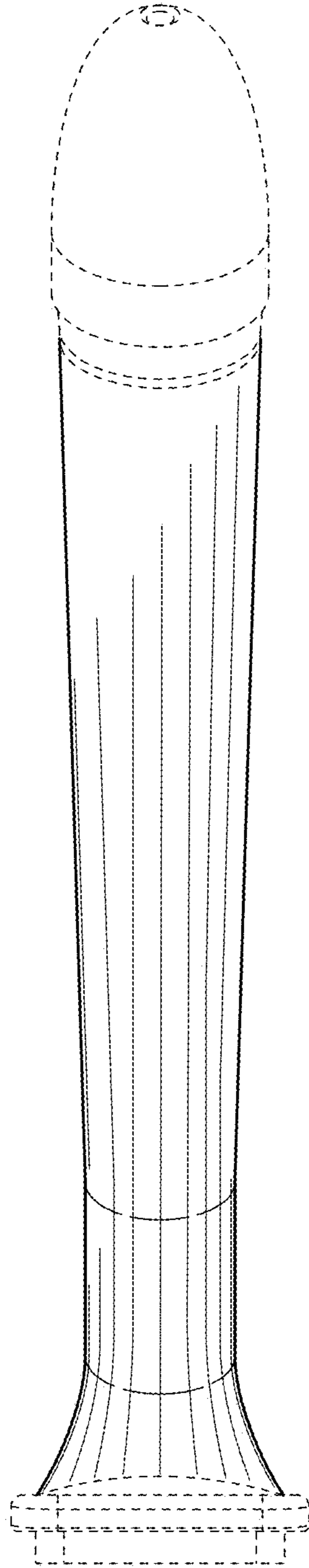


FIG. 4

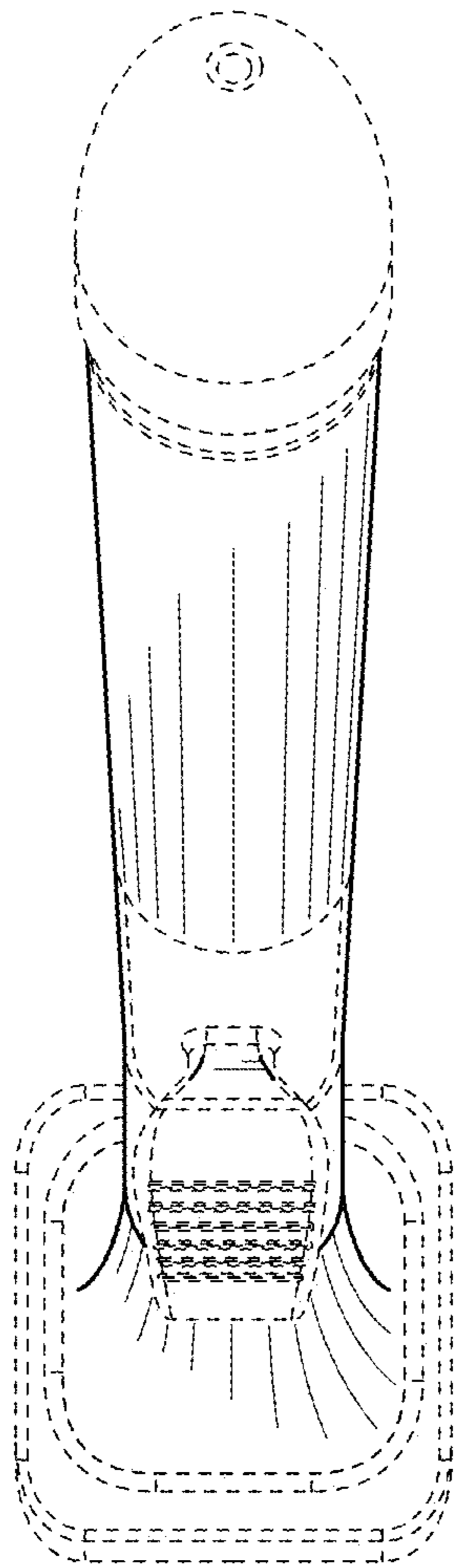


FIG. 5

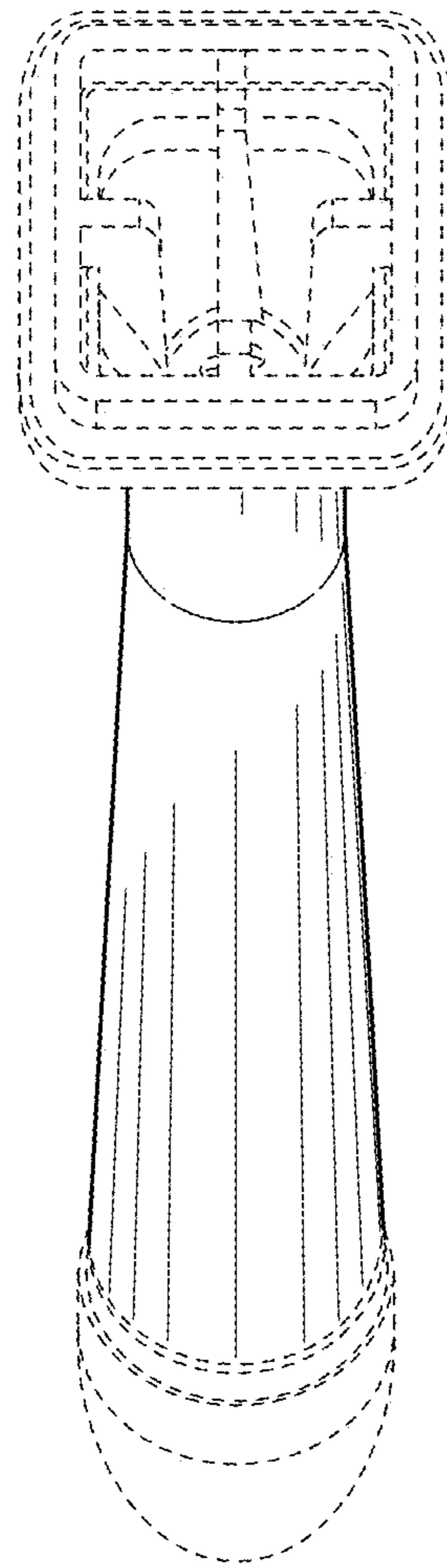


FIG. 6